



US00D495713S1

(12) **United States Design Patent** (10) **Patent No.:** **US D495,713 S**
Pfister et al. (45) **Date of Patent:** **** Sep. 7, 2004**

(54) **DISPLAY MOUNT** D460,078 7/2002 Li
6,517,040 2/2003 Wen
(75) Inventors: **Joel W. Pfister**, Shorewood, MN (US); 6,554,238 4/2003 Hibberd
Dominic D. Grey, Blaine, MN (US) 6,565,056 5/2003 Lin
D477,606 7/2003 Theis et al.
(73) Assignee: **Decade Industries, Inc.**, St. Paul, MN 6,592,090 7/2003 Li
(US) 6,604,722 8/2003 Tan
6,663,064 12/2003 Minelli et al.
(**) Term: **14 Years** 6,672,553 1/2004 Lin
2002/0011544 A1 1/2002 Bosson
(21) Appl. No.: **29/196,660** 2002/0084396 A1 * 7/2002 Weaver 248/278.1
2003/0075653 A1 4/2003 Li
(22) Filed: **Jan. 2, 2004** 2003/0136888 A1 7/2003 Boele
2003/0154673 A1 8/2003 MacGregor et al.
(51) **LOC (7) Cl.** **14-02** 2003/0201372 A1 10/2003 Dozier
(52) **U.S. Cl.** **D14/451; D14/432** 2003/0227739 A1 12/2003 Kim et al.
(58) **Field of Search** D14/451, 452, 2004/0011932 A1 1/2004 Duff
D14/238, 432, 448; D8/363, 373, 349, 2004/0011938 A1 1/2004 Oddsen, Jr.
396; 248/278.1, 279.1, 514, 291.1, 921,
924, 536, 511, 516, 519, 311.2; 312/7.2;
348/825, 827, 836, 837

* cited by examiner

Primary Examiner—Kay H. Chin
(74) *Attorney, Agent, or Firm*—Kinney & Lange, P.A.

(56) **References Cited**

U.S. PATENT DOCUMENTS

D361,068 * 8/1995 Brehmer et al. D14/238
5,751,548 5/1998 Hall et al.
D395,892 * 7/1998 Solomon D14/224
5,842,672 12/1998 Sweere et al.
5,918,841 7/1999 Sweere et al.
5,947,429 9/1999 Sweere et al.
5,992,809 * 11/1999 Sweere et al. 248/278.1
6,012,693 1/2000 Voeller et al.
6,015,120 1/2000 Sweere et al.
6,042,068 3/2000 Tcherny
6,068,227 5/2000 Morgan et al.
6,102,348 8/2000 O'Neill
6,126,128 10/2000 Costa et al.
D440,863 * 4/2001 Worrall D8/363
6,367,756 4/2002 Wang
6,378,830 4/2002 Lu
6,394,403 5/2002 Hung
6,402,109 6/2002 Dittmer

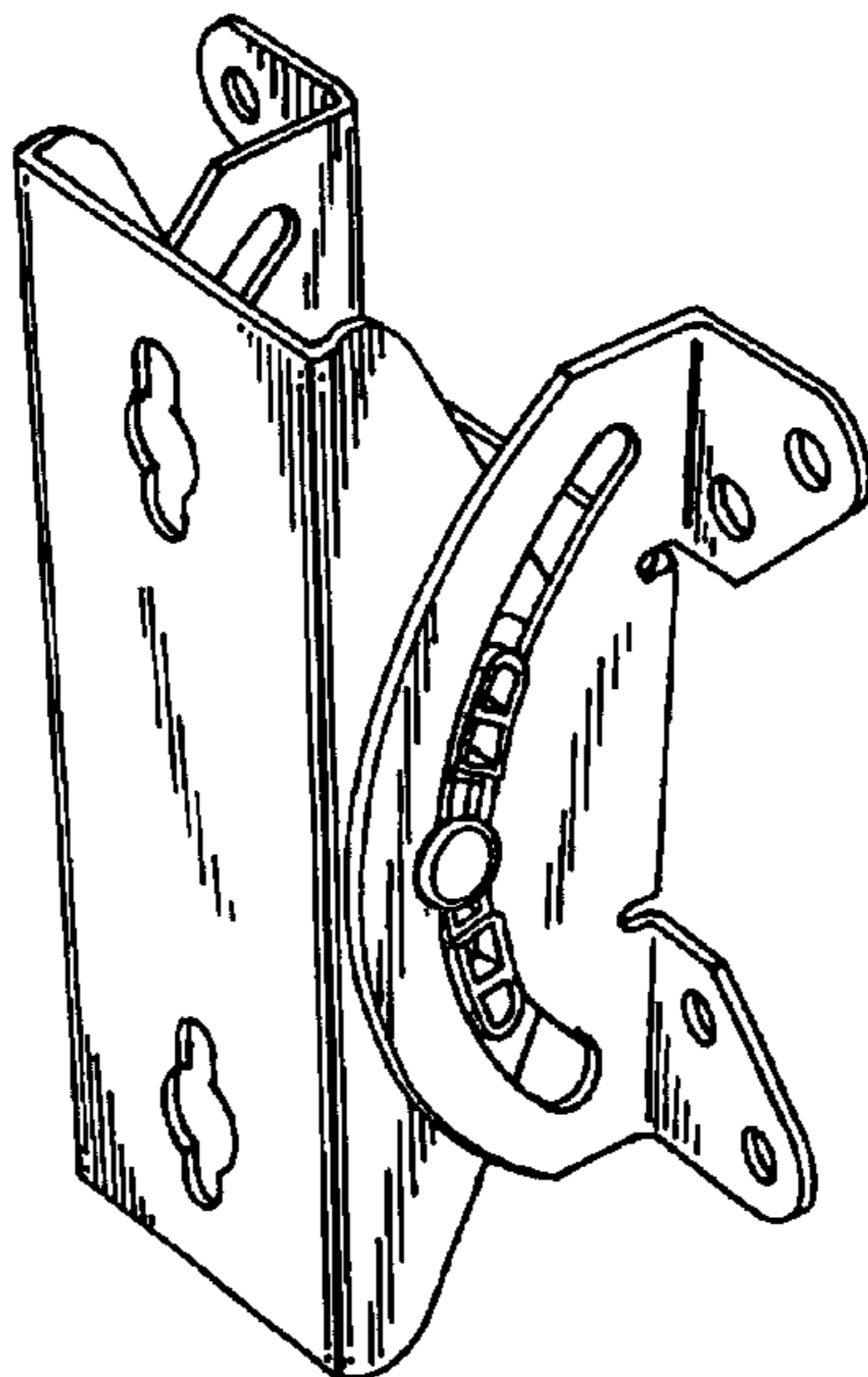
(57) **CLAIM**

The ornamental design for a display mount, as shown and described.

DESCRIPTION

FIG. 1 is a perspective view looking down at the back, left side of a display mount showing my new design;
FIG. 2 is a top view;
FIG. 3 is a front view;
FIG. 4 is a right side view showing the display mount in environment;
FIG. 5 is a left side view;
FIG. 6 is a back view; and,
FIG. 7 is bottom view.
The broken line showing of a display is for illustrative purposes only and forms no part of the claimed design.

1 Claim, 5 Drawing Sheets



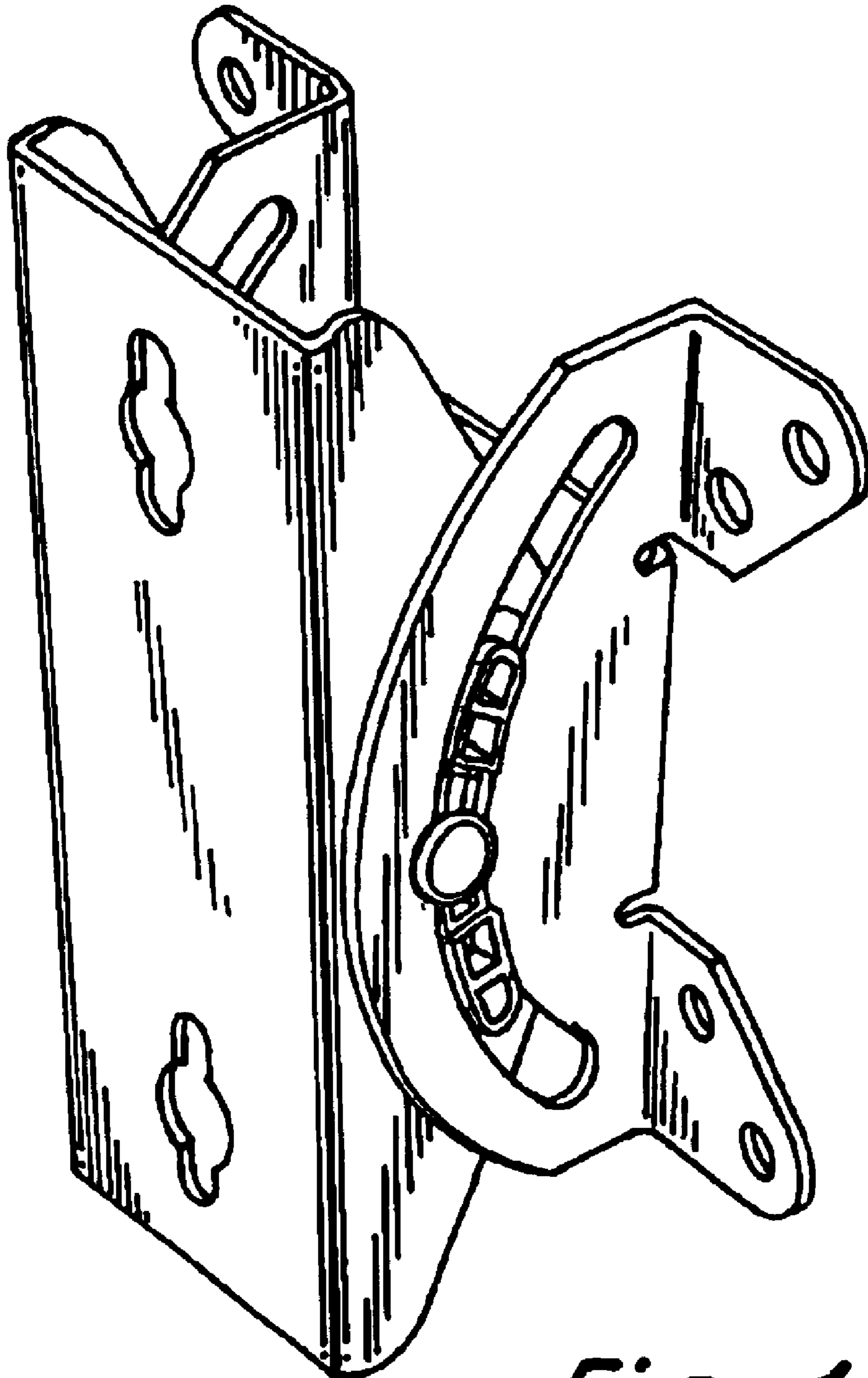


Fig. 1

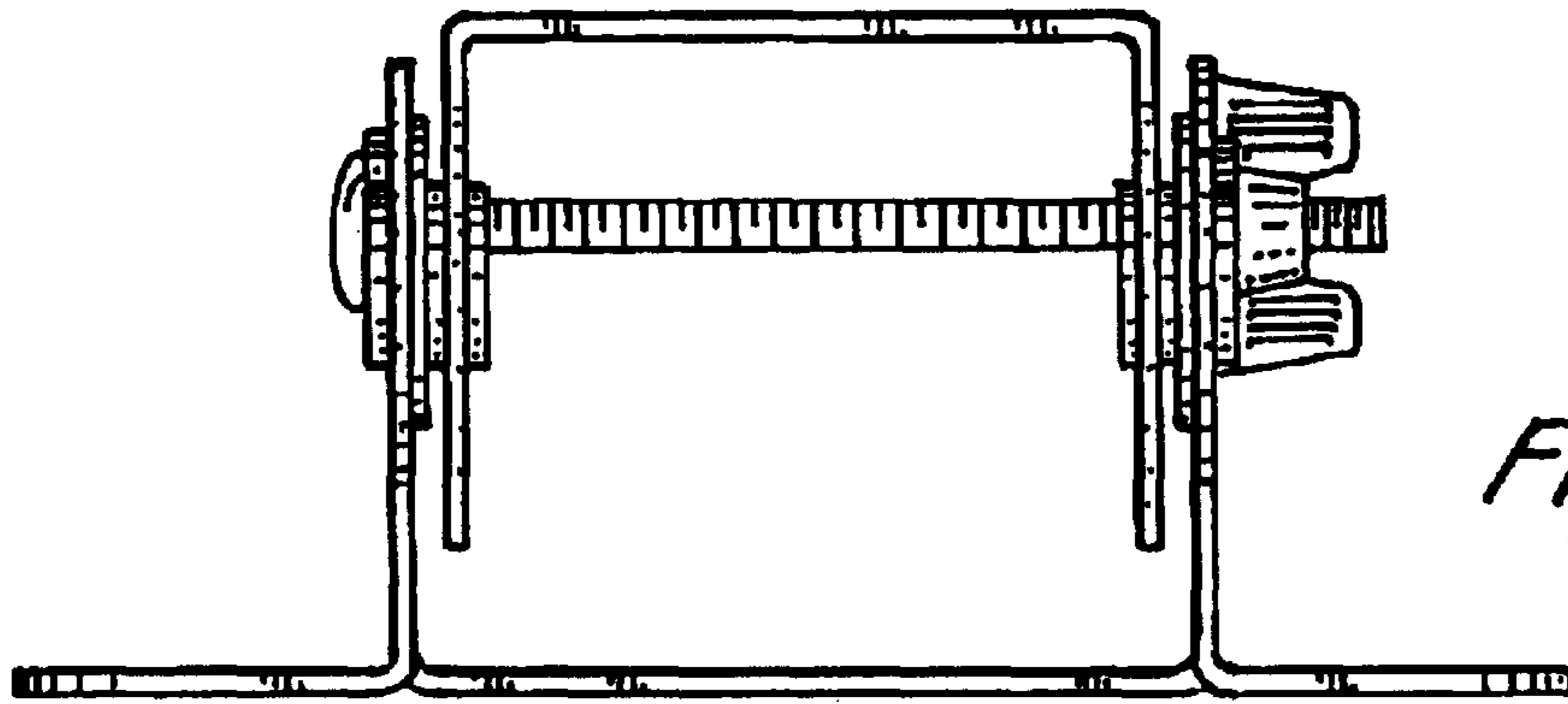


Fig. 2

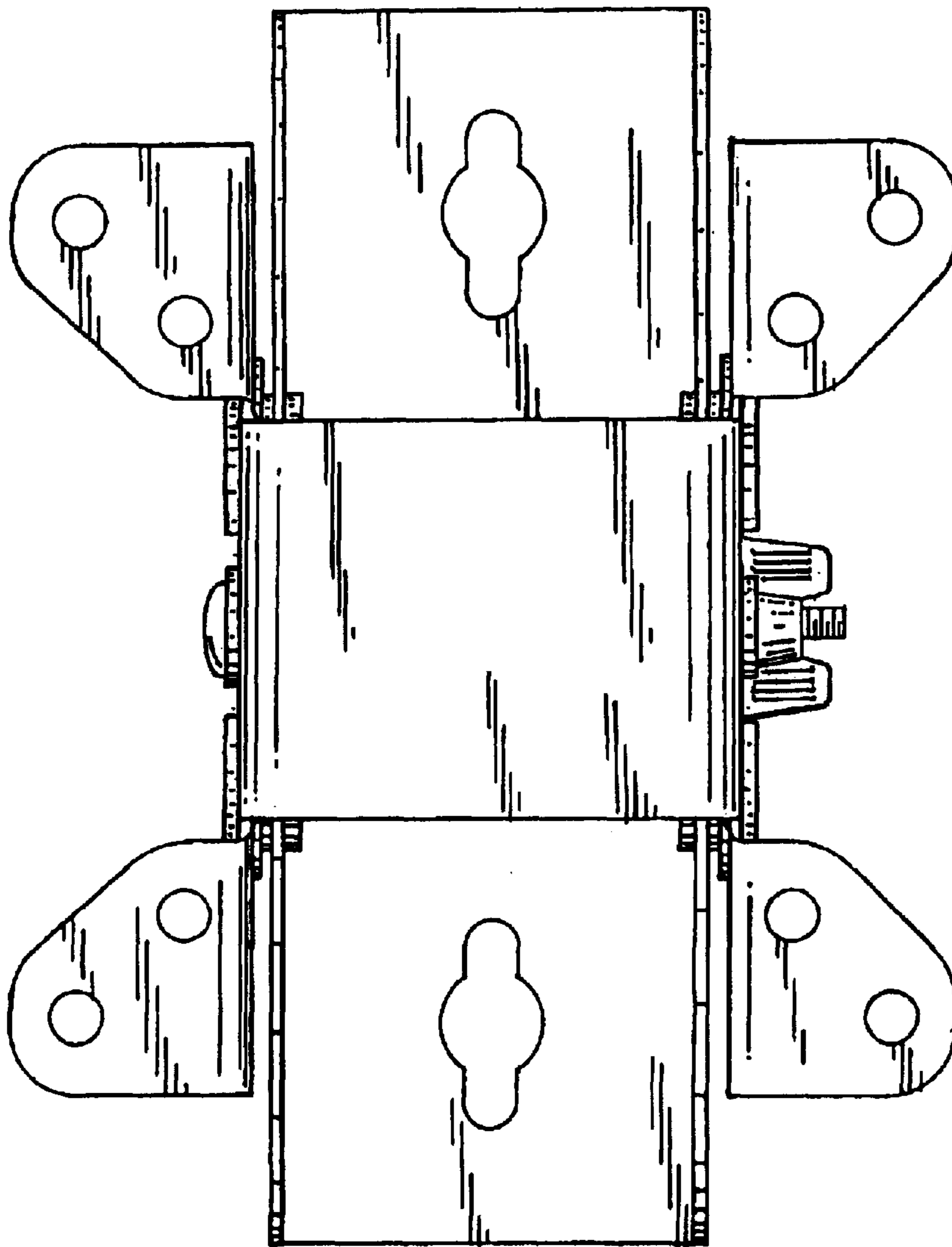


Fig. 3

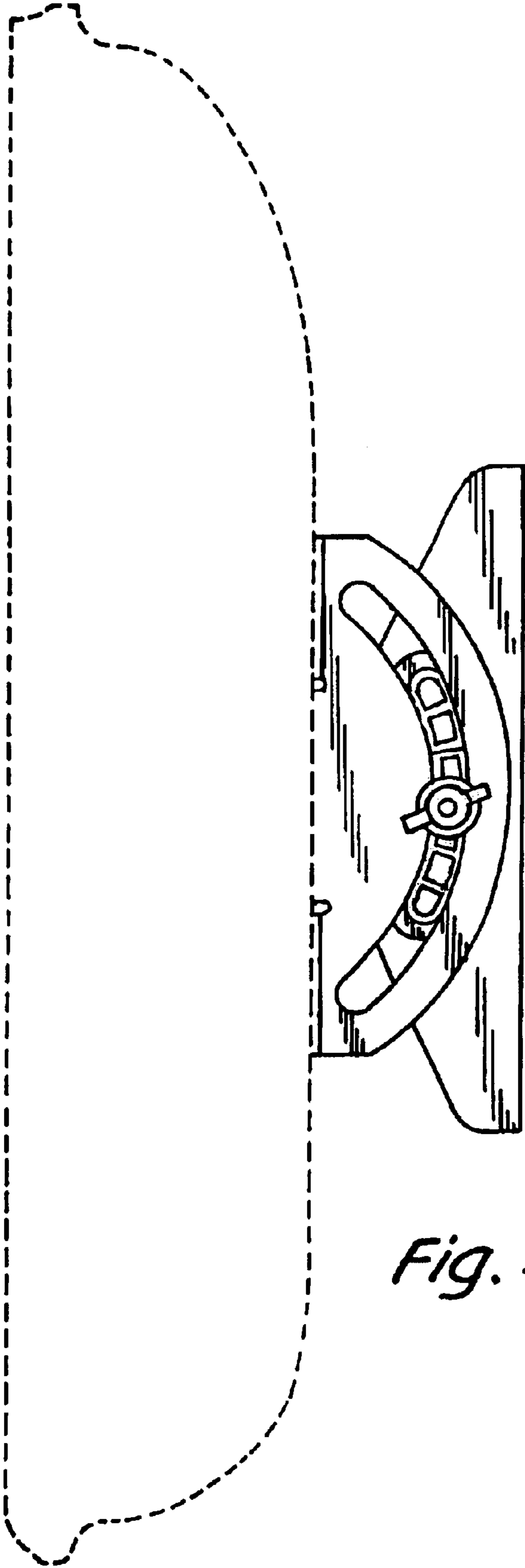


Fig. 4

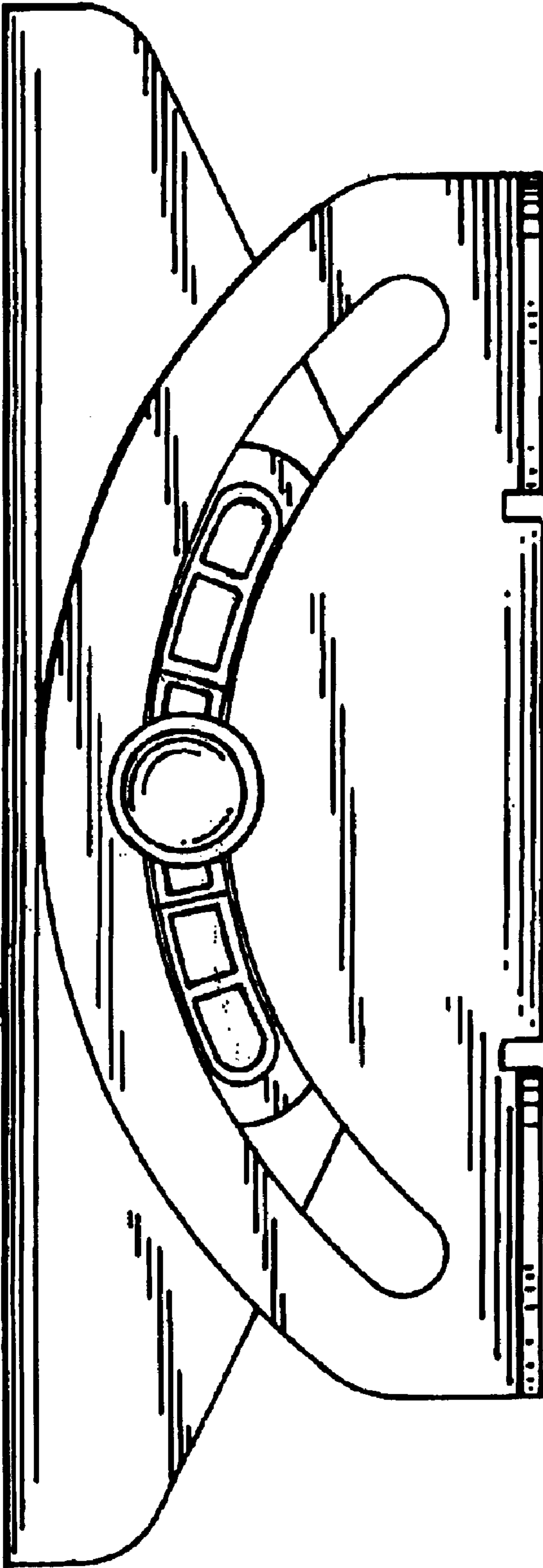


Fig. 5

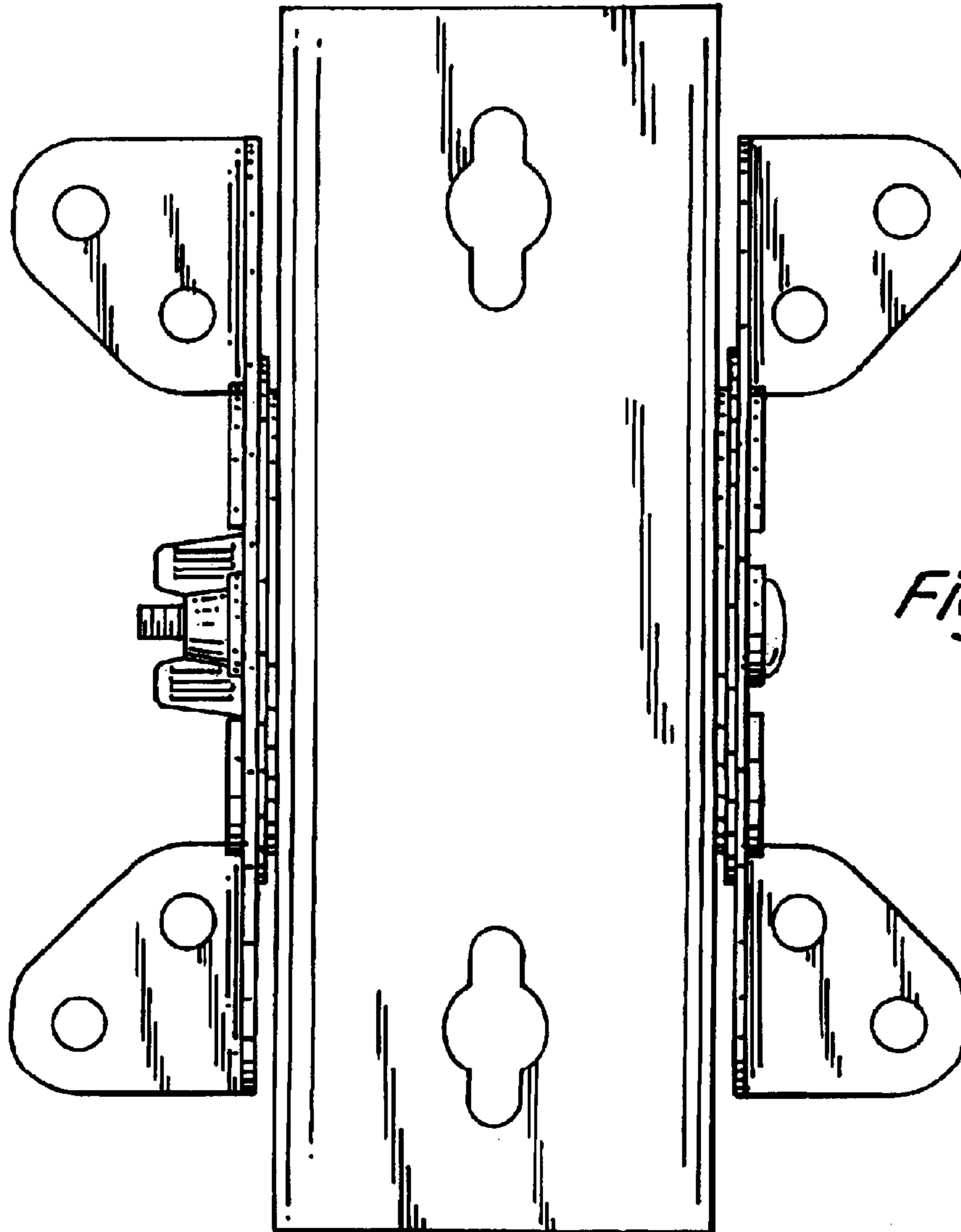


Fig. 6

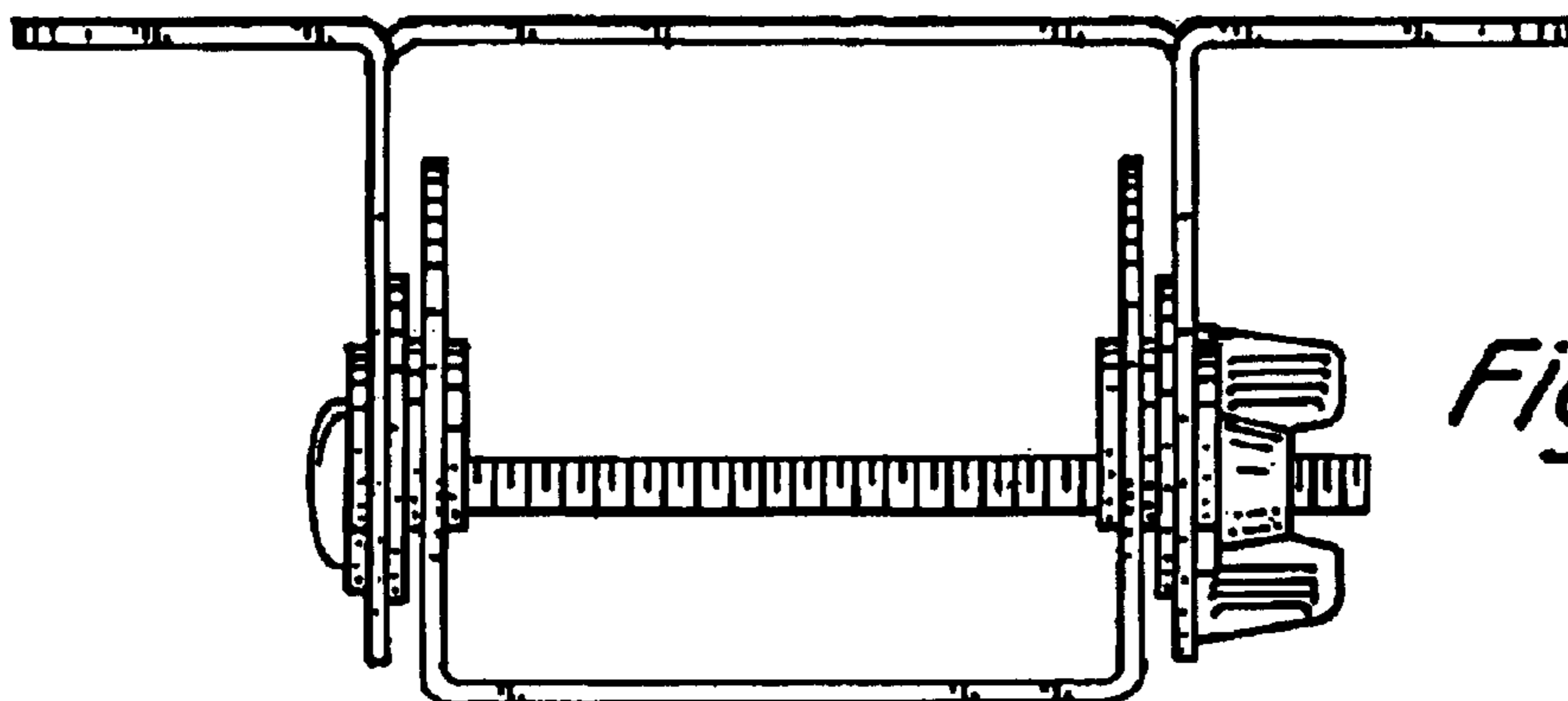


Fig. 7