

US00D495708S1

(12) **United States Design Patent**  
**Yang**

(10) **Patent No.:** **US D495,708 S**  
(45) **Date of Patent:** **\*\* Sep. 7, 2004**

(54) **LIQUID CRYSTAL DISPLAY**

D473,868 S \* 4/2003 Tai ..... D14/375

(75) Inventor: **Yen-Chen Yang, Shi-Chih (TW)**

\* cited by examiner

(73) Assignee: **Colortac Technology Co., Ltd., Taipei Hsien (TW)**

*Primary Examiner*—Freda S. Nunn  
(74) *Attorney, Agent, or Firm*—Bacon & Thomas, PLLC

(\*\*) Term: **14 Years**

(57) **CLAIM**

The ornamental design for liquid crystal display, as shown and described.

(21) Appl. No.: **29/193,121**

(22) Filed: **Nov. 5, 2003**

**DESCRIPTION**

(51) **LOC (7) Cl.** ..... **14-02**

FIG. 1 is a perspective view of a liquid crystal display showing my new design;

(52) **U.S. Cl.** ..... **D14/375**

FIG. 2 is a front elevational view thereof;

(58) **Field of Search** ..... D14/371-375,  
D14/125-129; 341/12; 345/104, 156, 168,  
173; 348/180, 184, 325, 739; 349/1, 2,  
11, 62

FIG. 3 is a rear elevational view thereof;

FIG. 4 is a left side elevational view thereof;

FIG. 5 is a right side elevational view thereof;

FIG. 6 is a top plan view thereof; and,

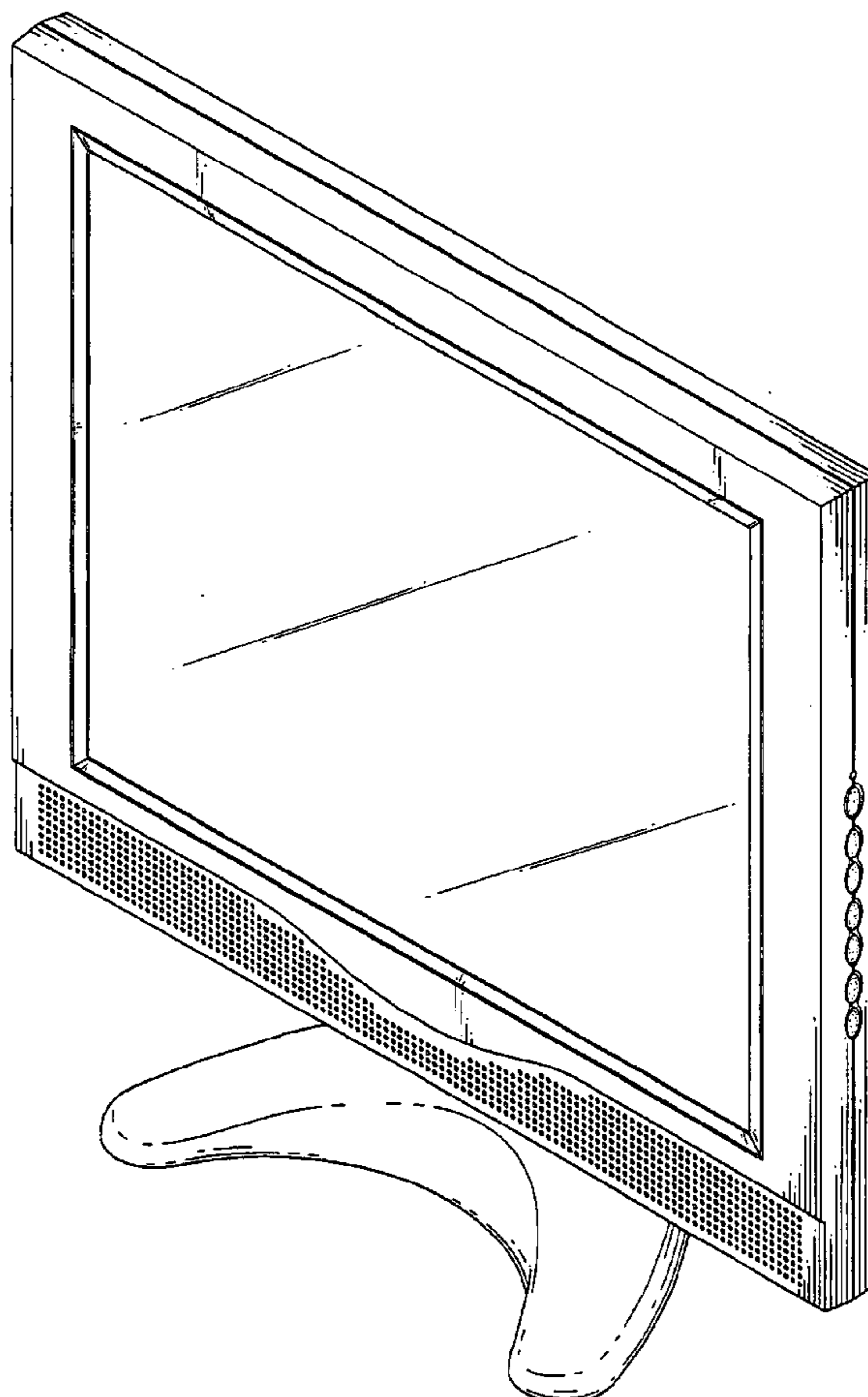
FIG. 7 is a bottom plan view thereof.

(56) **References Cited**

**U.S. PATENT DOCUMENTS**

D472,897 S \* 4/2003 Park ..... D14/375

**1 Claim, 5 Drawing Sheets**



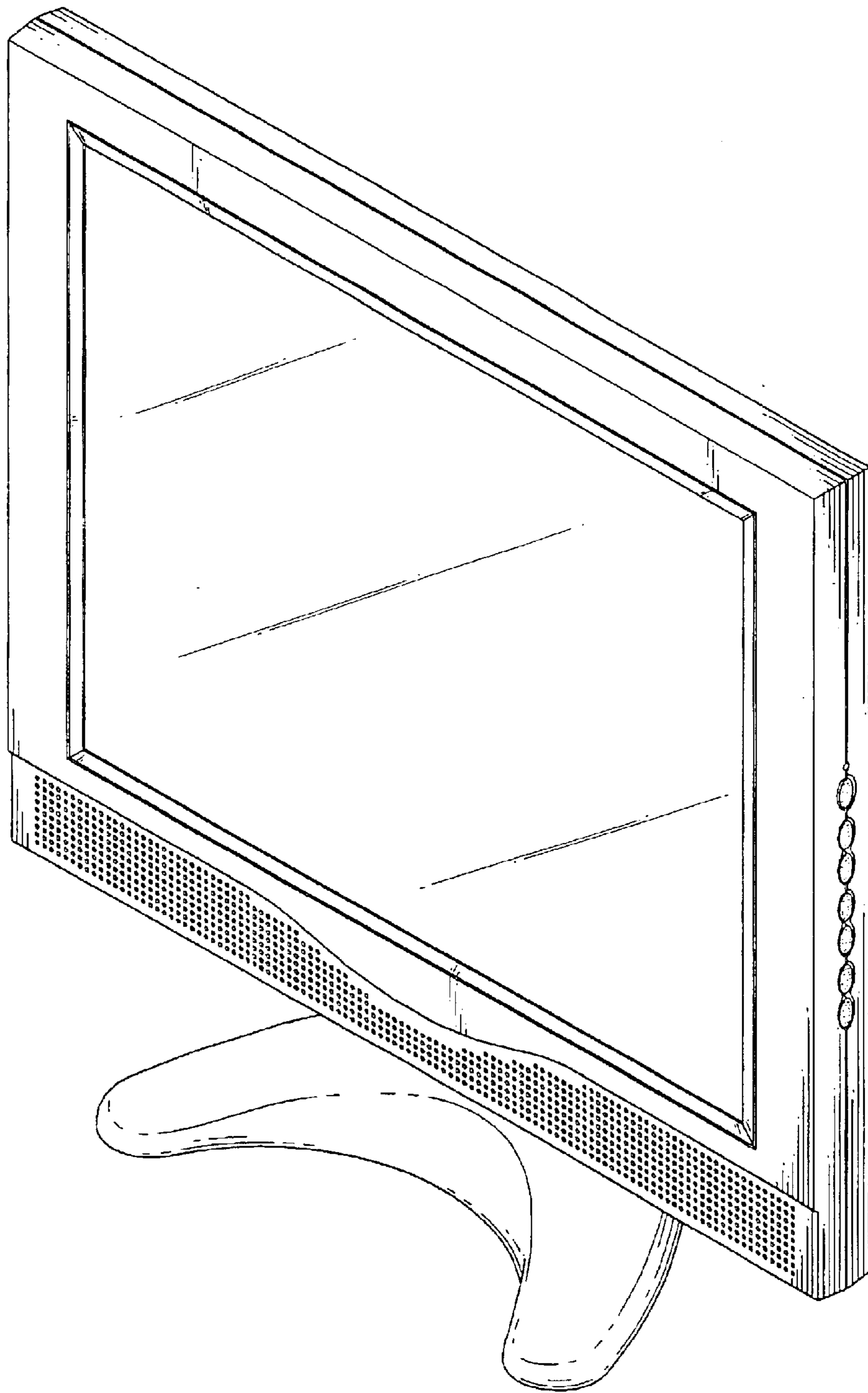


FIG. 1

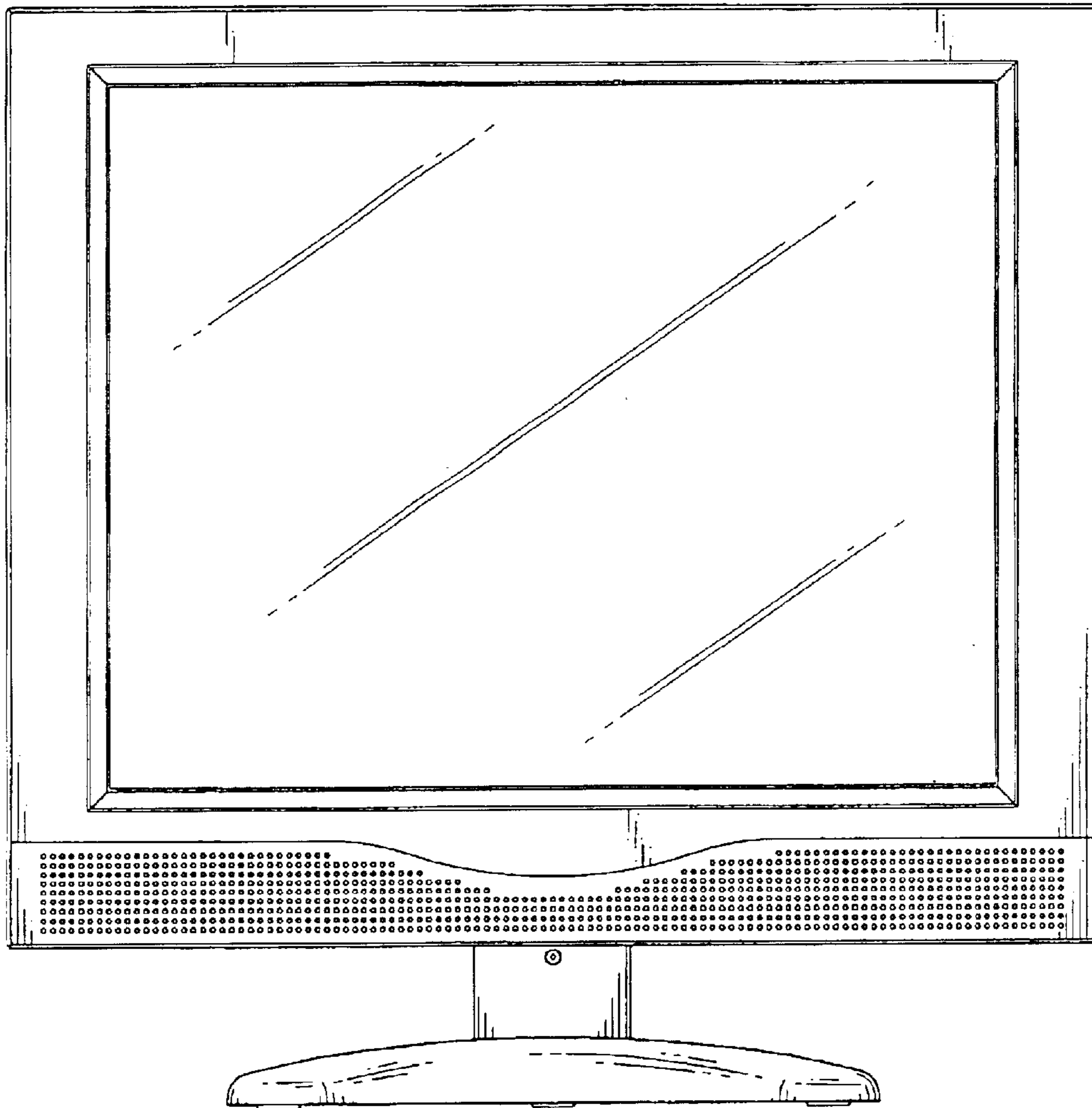


FIG. 2

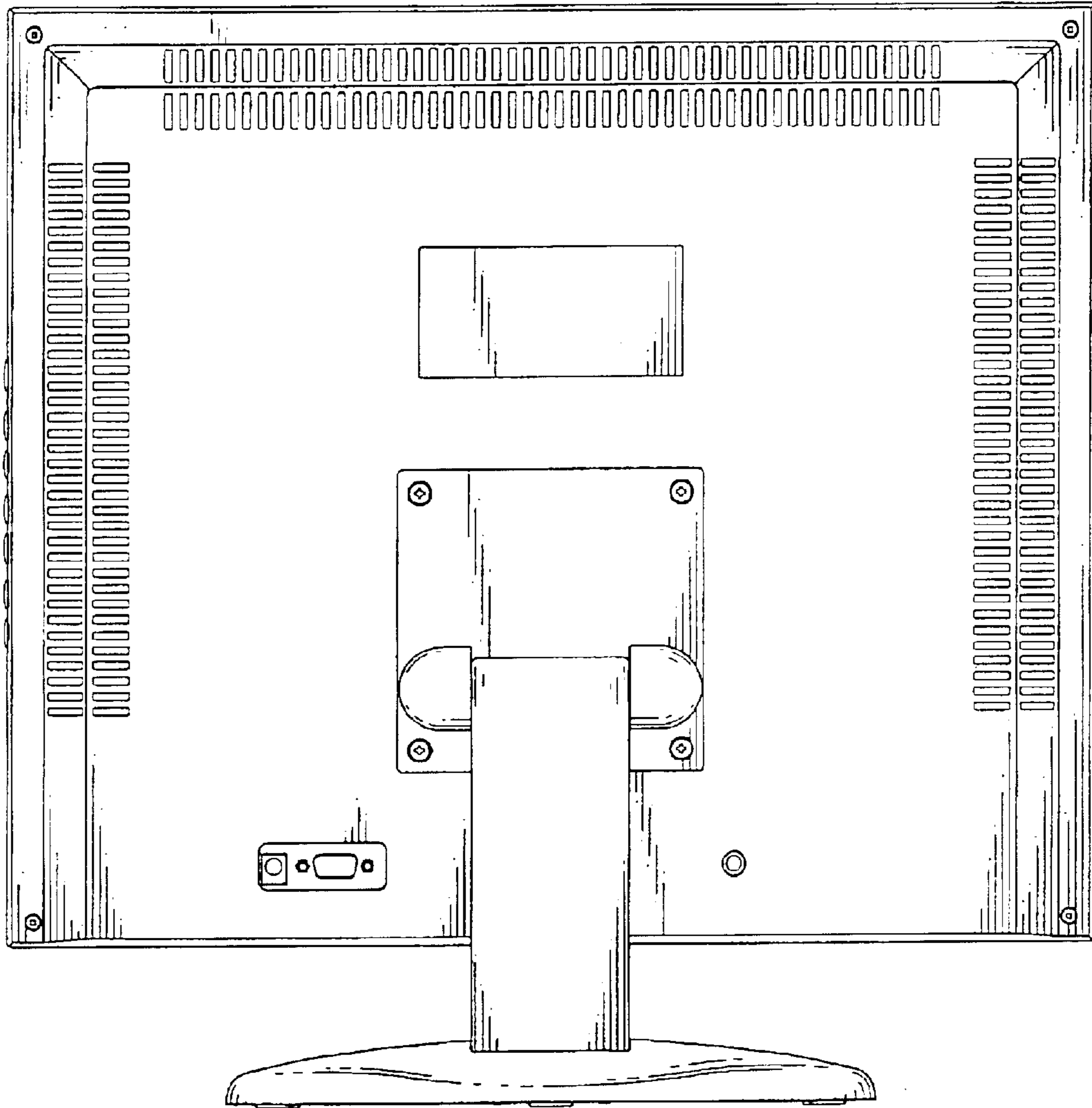


FIG. 3

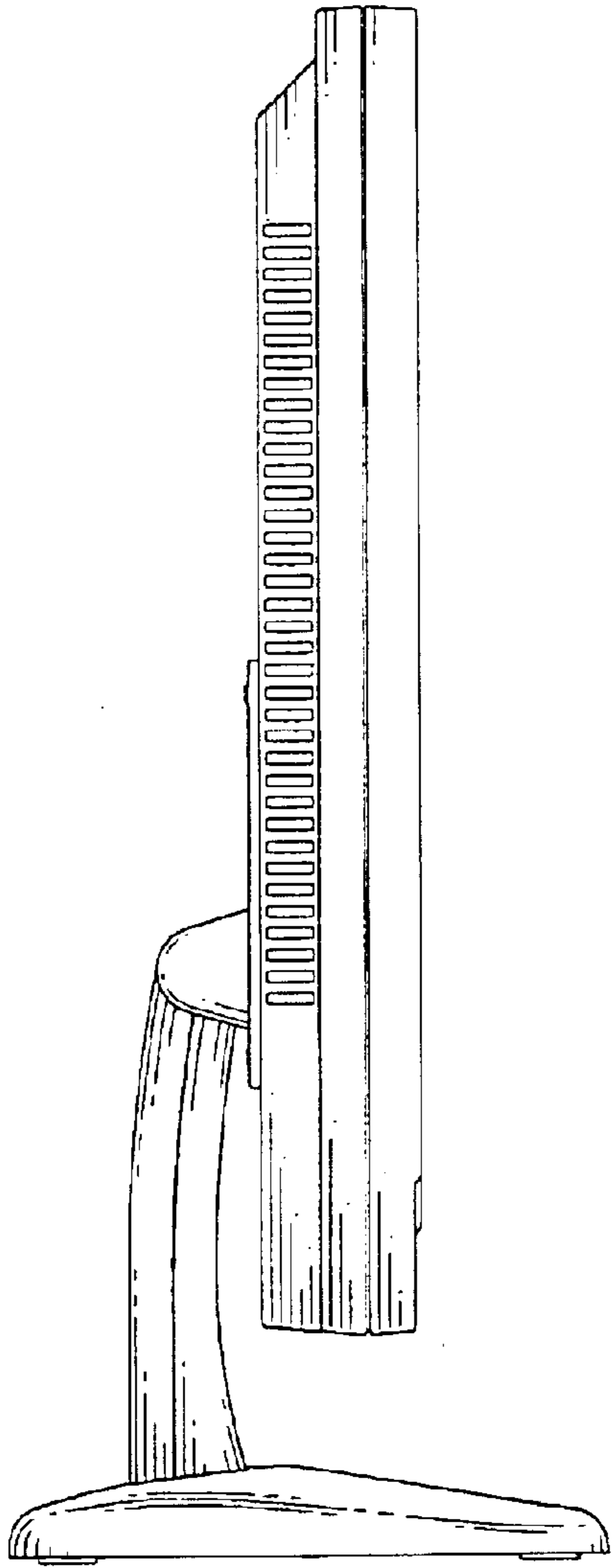


FIG. 4

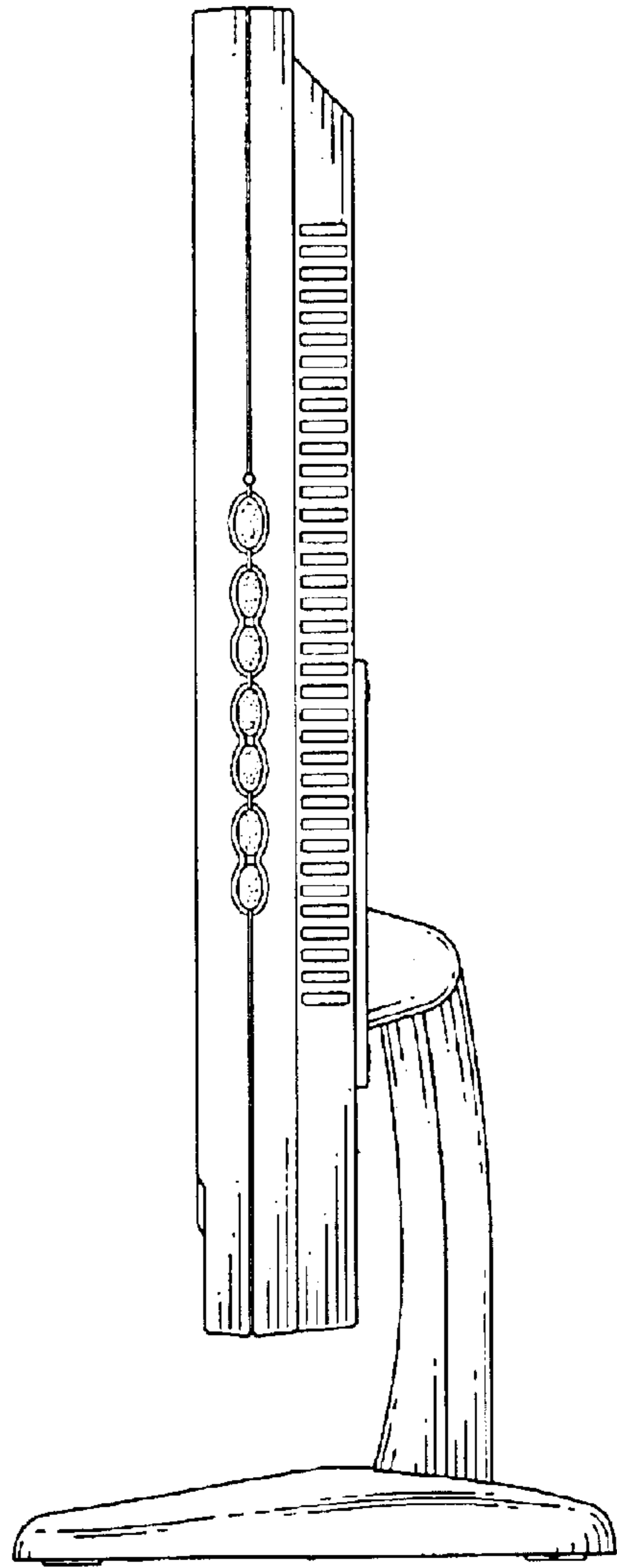


FIG. 5

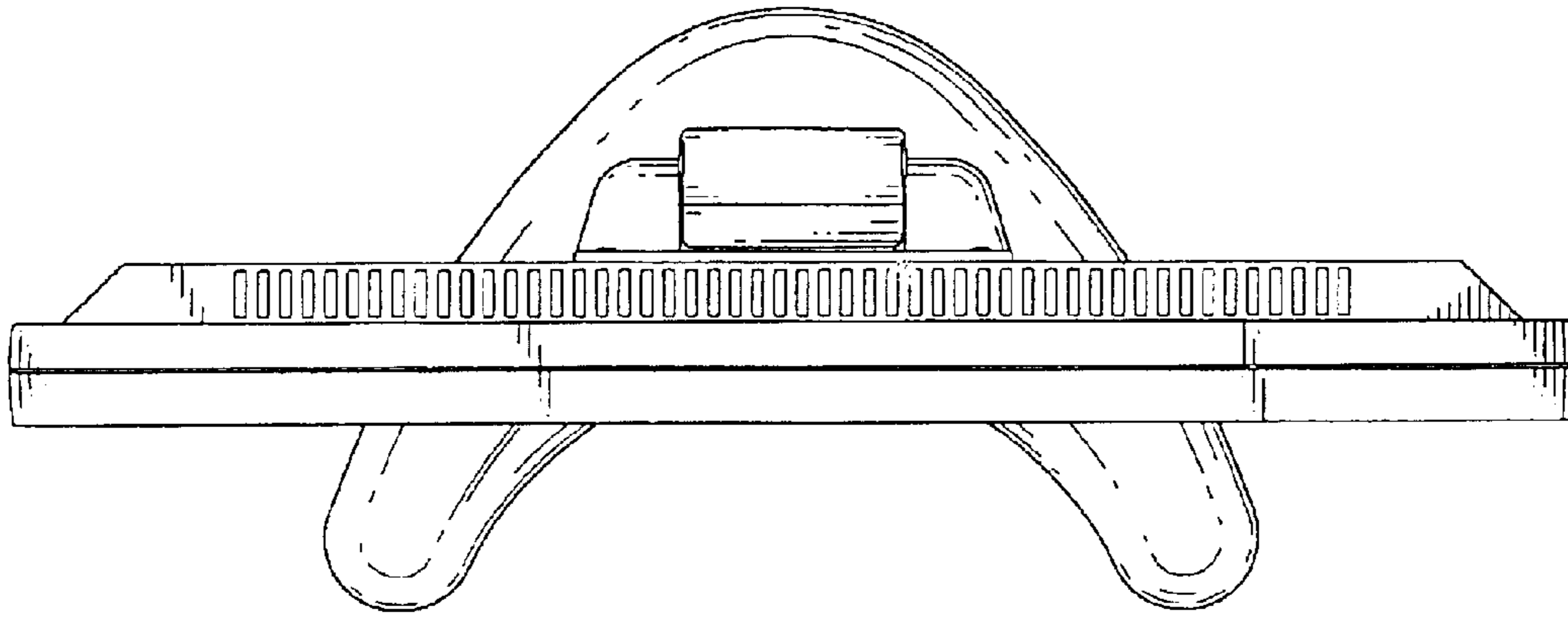


FIG. 6

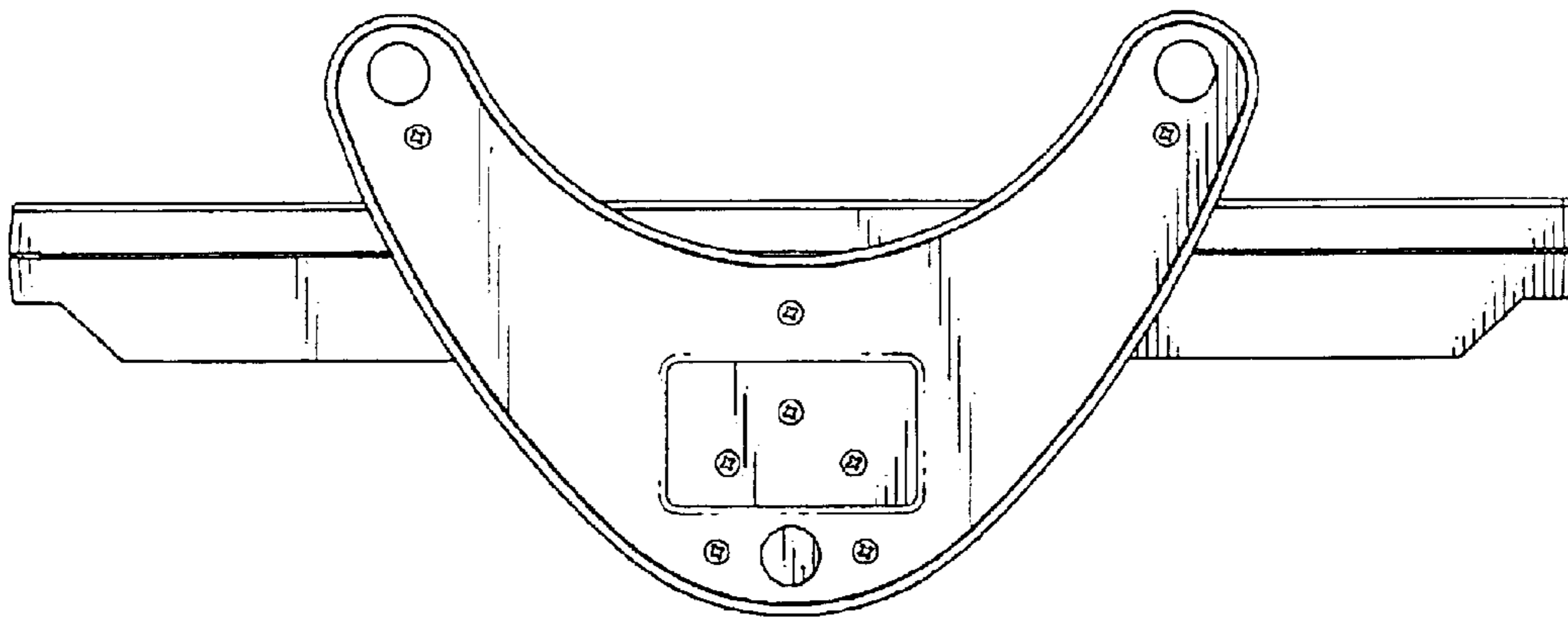


FIG. 7