

US00D495706S1

(12) **United States Design Patent**
Lin et al.

(10) **Patent No.:** **US D495,706 S**
(45) **Date of Patent:** **** Sep. 7, 2004**

(54) **LIQUID CRYSTAL DISPLAY**

D424,068 S * 5/2000 Takemasa D14/374
D424,538 S * 5/2000 Hayashi et al. D14/374

(75) Inventors: **Chia-Chuan Lin**, Banchiao (TW);
Chien-Jui Wang, Taipei (TW)

* cited by examiner

(73) Assignee: **BENQ Corporation**, Taoyuan (TW)

Primary Examiner—Freda S. Nunn
(74) *Attorney, Agent, or Firm*—Quintero Law Office

(**) Term: **14 Years**

(57) **CLAIM**

(21) Appl. No.: **29/195,788**

The ornamental design for a liquid crystal display, as shown and described.

(22) Filed: **Dec. 17, 2003**

(30) **Foreign Application Priority Data**

DESCRIPTION

Nov. 19, 2003 (TW) 92306965

(51) **LOC (7) Cl.** **14-02**

(52) **U.S. Cl.** **D14/374**

(58) **Field of Search** D14/371–375,
D14/125–129, 341; 341/12; 345/104, 156,
168, 173; 348/180, 184, 325, 739; 349/1,
2, 11, 62

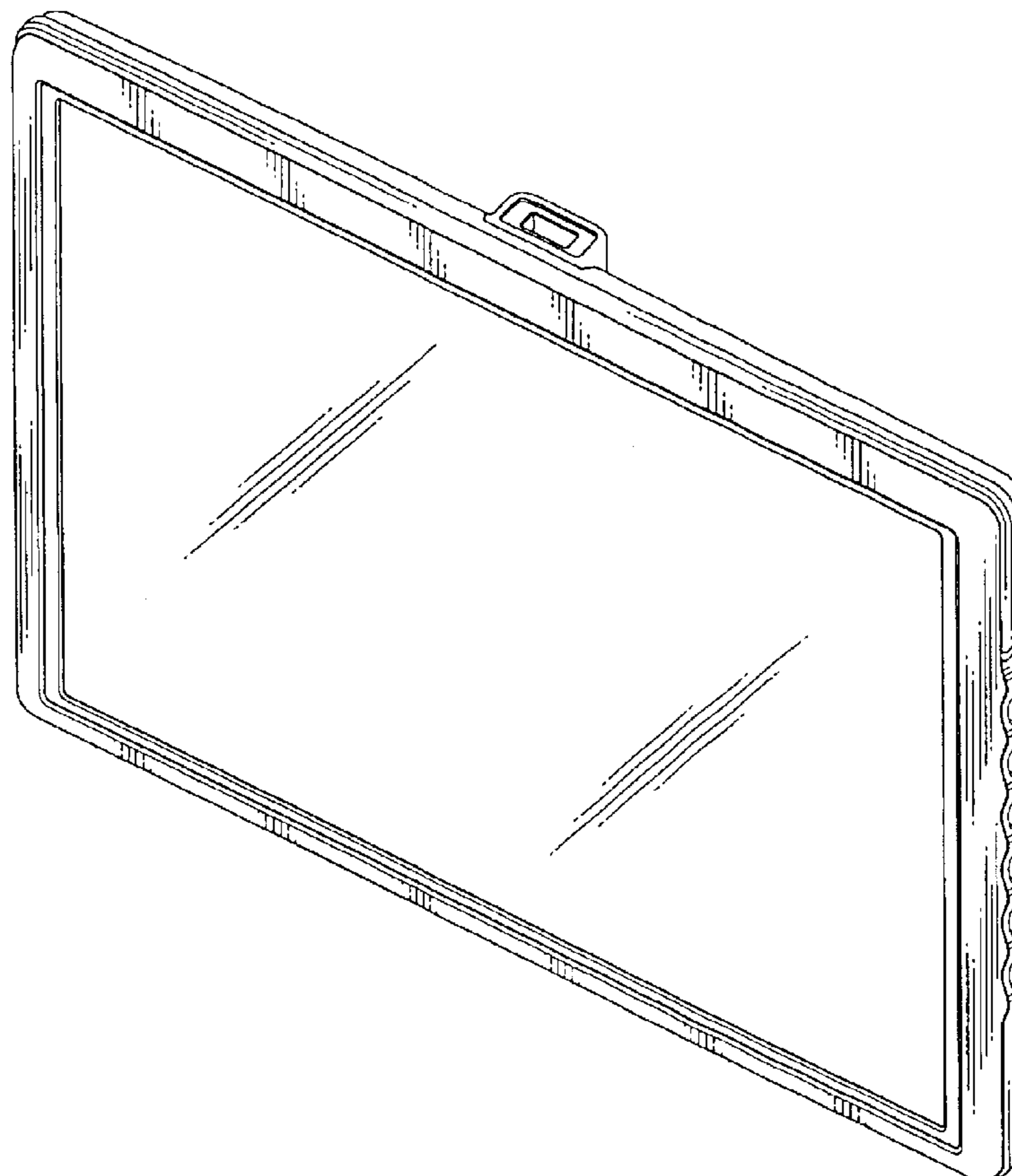
FIG. 1 is a perspective view thereof;
FIG. 2 is a front elevational view thereof;
FIG. 3 is a rear elevational view thereof;
FIG. 4 is a left side elevational view thereof;
FIG. 5 is a right side elevational view thereof;
FIG. 6 is a top plane view thereof; and,
FIG. 7 is a bottom plane view thereof.

(56) **References Cited**

U.S. PATENT DOCUMENTS

D382,259 S * 8/1997 Nagai et al. D14/374

1 Claim, 5 Drawing Sheets



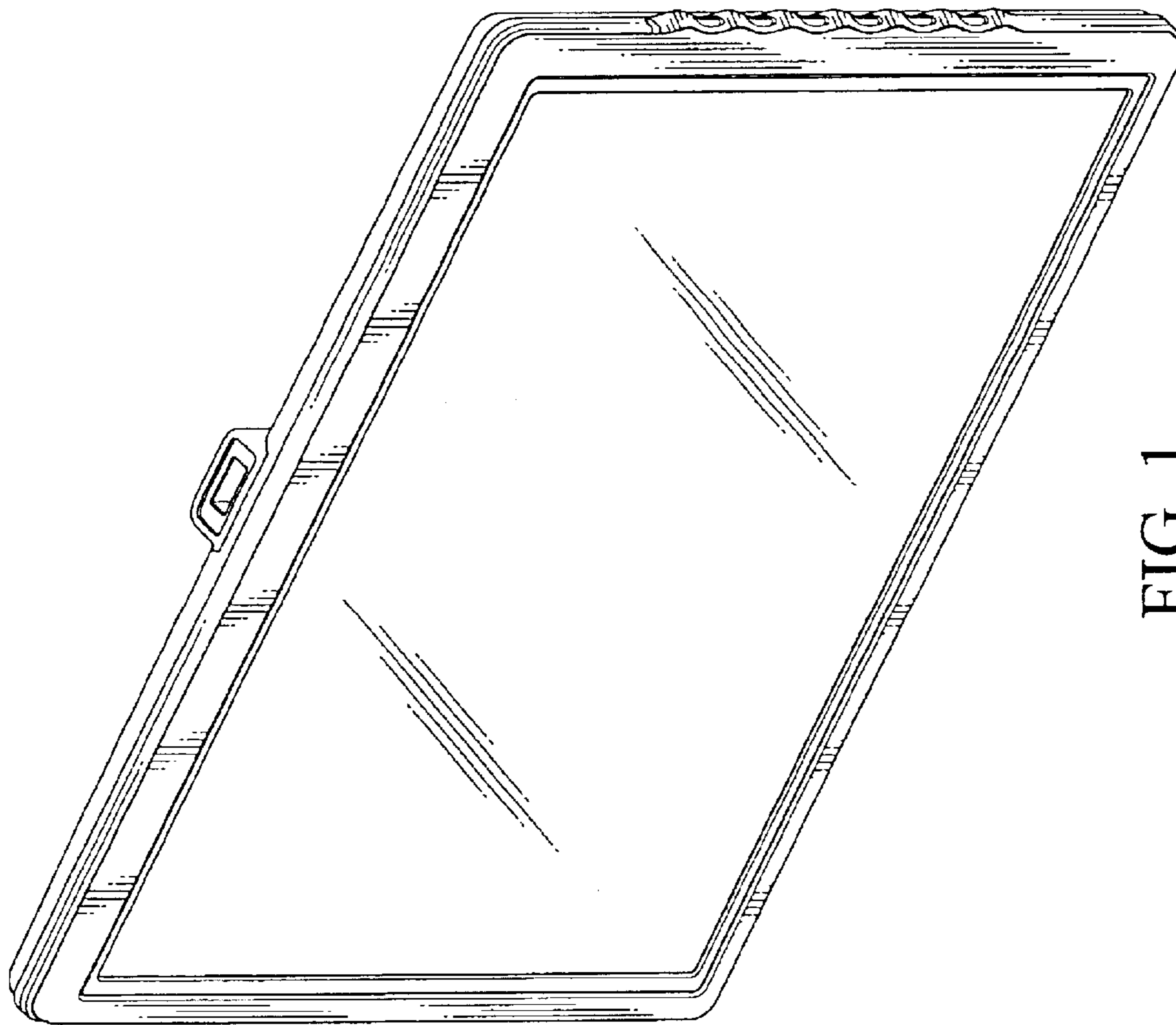


FIG. 1

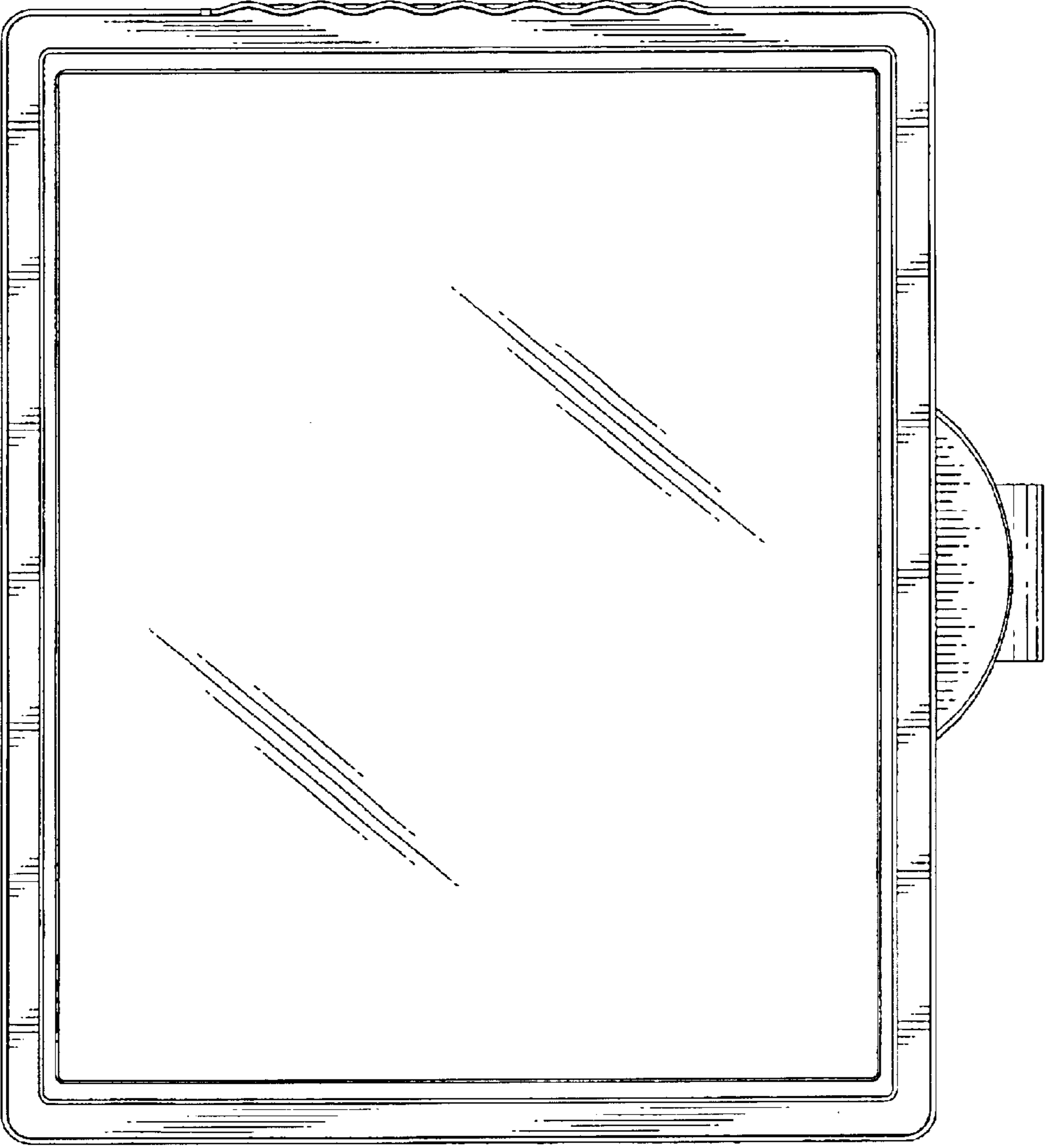


FIG. 2

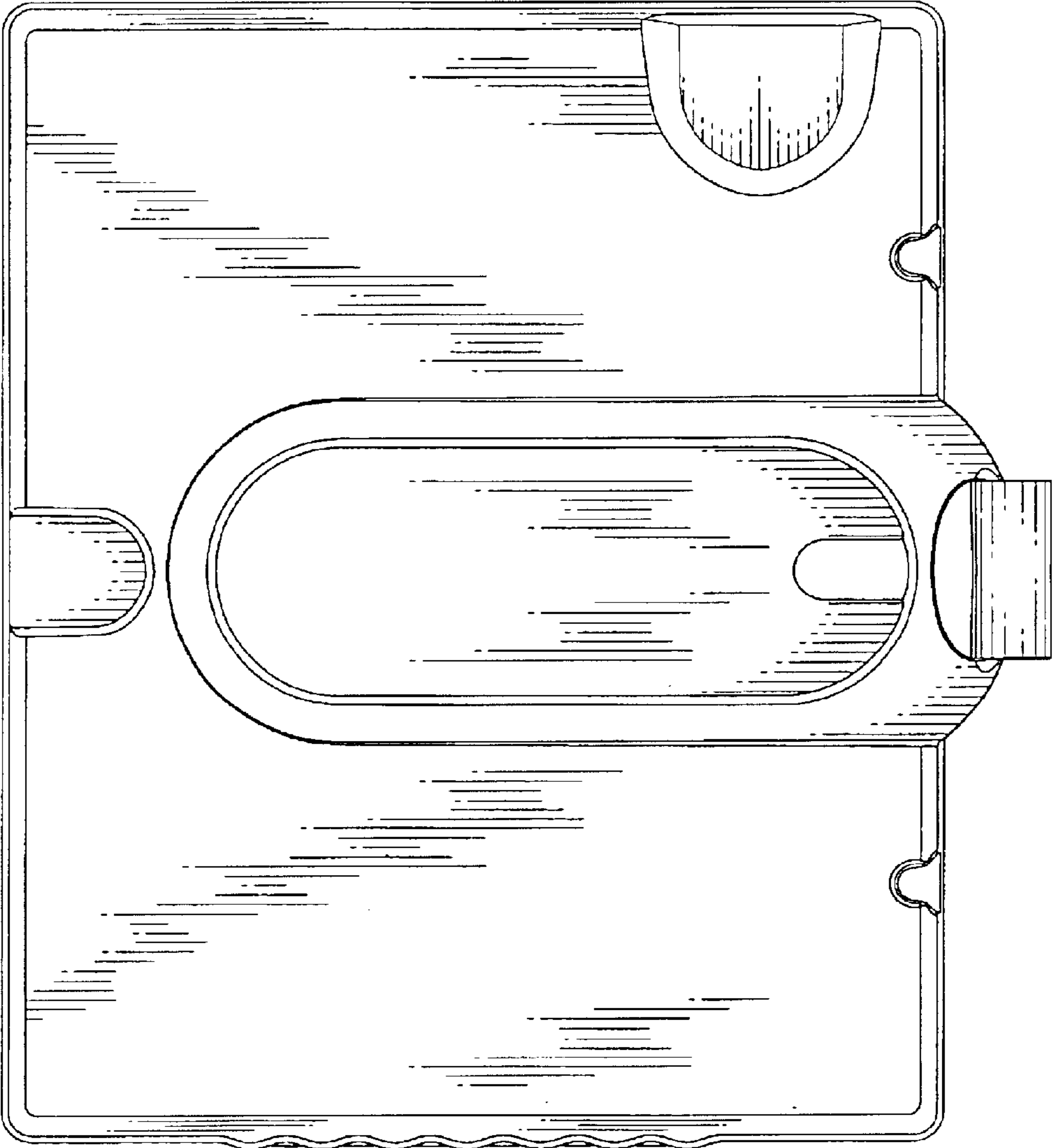


FIG. 3

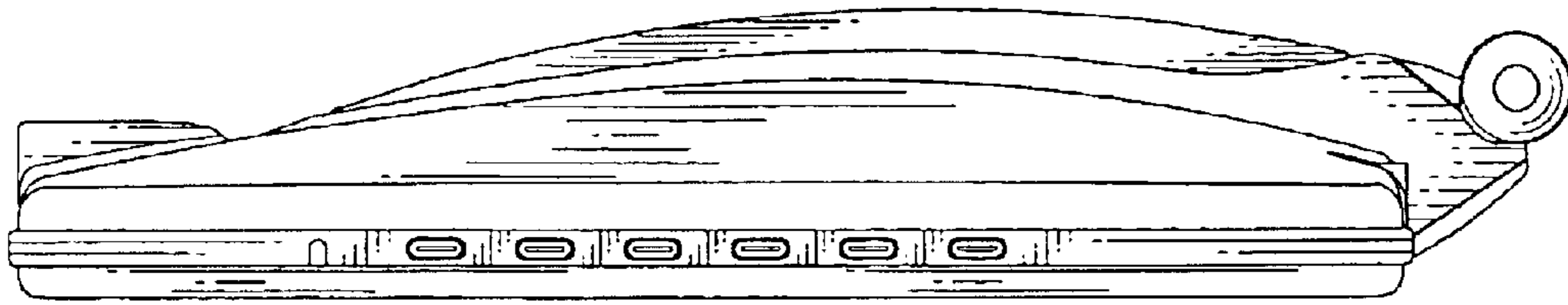


FIG. 5

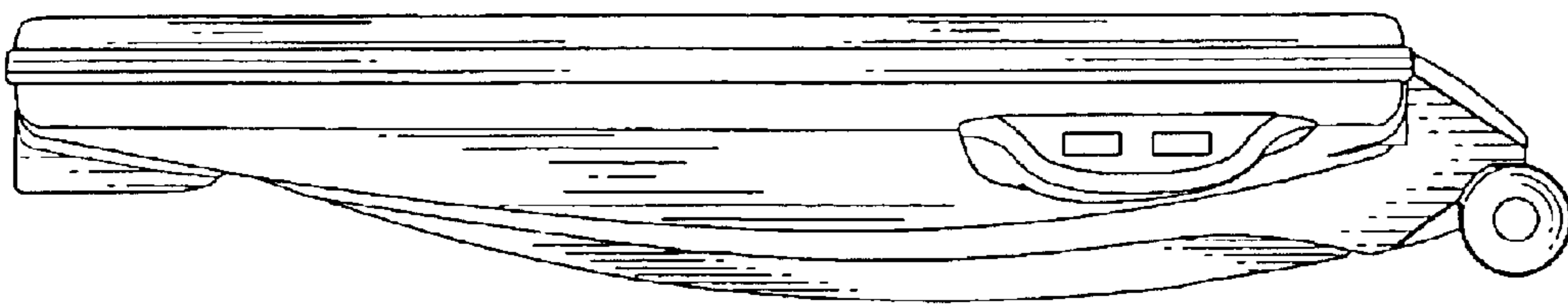


FIG. 4

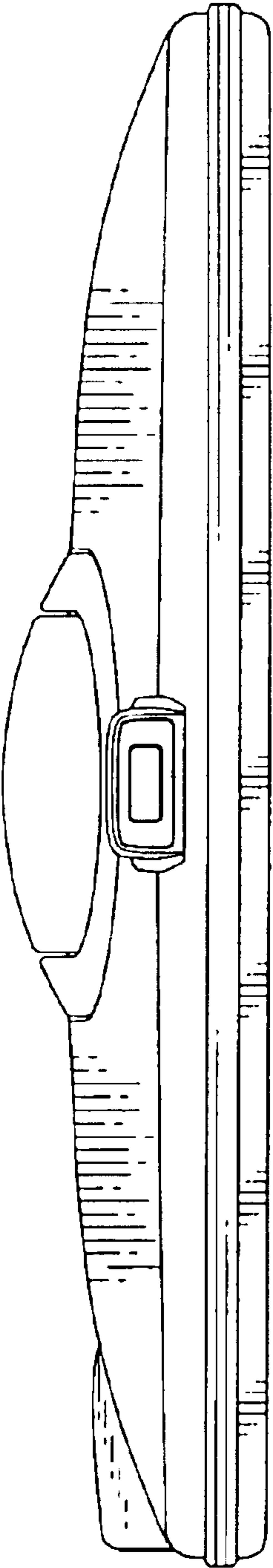


FIG. 6

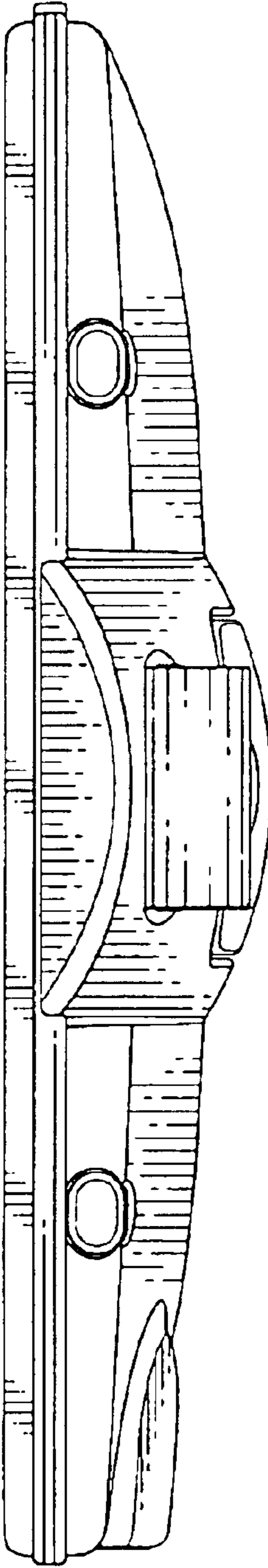


FIG. 7