

US00D495705S1

(12) **United States Design Patent**
Borsboom

(10) **Patent No.:** **US D495,705 S**

(45) **Date of Patent:** **** Sep. 7, 2004**

- (54) **LIQUID CRYSTAL DISPLAY**
- (75) Inventor: **Antonious M. Borsboom**, Singapore (SG)
- (73) Assignee: **Hannspree, Inc.**, Taipei (TW)
- (**) Term: **14 Years**
- (21) Appl. No.: **29/197,760**
- (22) Filed: **Jan. 20, 2004**
- (30) **Foreign Application Priority Data**
Dec. 30, 2003 (TW) 92307836
- (51) **LOC (7) Cl.** **14-02**
- (52) **U.S. Cl.** **D14/371**
- (58) **Field of Search** D14/371-375,
D14/125-129; 345/104, 156, 168, 173,
901-905, 87; 348/180, 184, 325, 739; 349/1,
2, 11, 62; 341/12; 248/917-924; D21/515,
329; 312/204; 40/594
- (56) **References Cited**
U.S. PATENT DOCUMENTS
5,072,998 A * 12/1991 Oh 312/204

- 5,564,209 A * 10/1996 Zagnoli 40/594
- D406,613 S * 3/1999 Nakanishi D21/329
- D456,049 S * 4/2002 Hood D21/515
- D473,556 S * 4/2003 Zuege et al. D14/371
- D476,653 S * 7/2003 Zuege et al. D14/371

* cited by examiner

Primary Examiner—Freda S. Nunn
(74) *Attorney, Agent, or Firm*—Thomas, Kayden, Horstemeyer & Risley

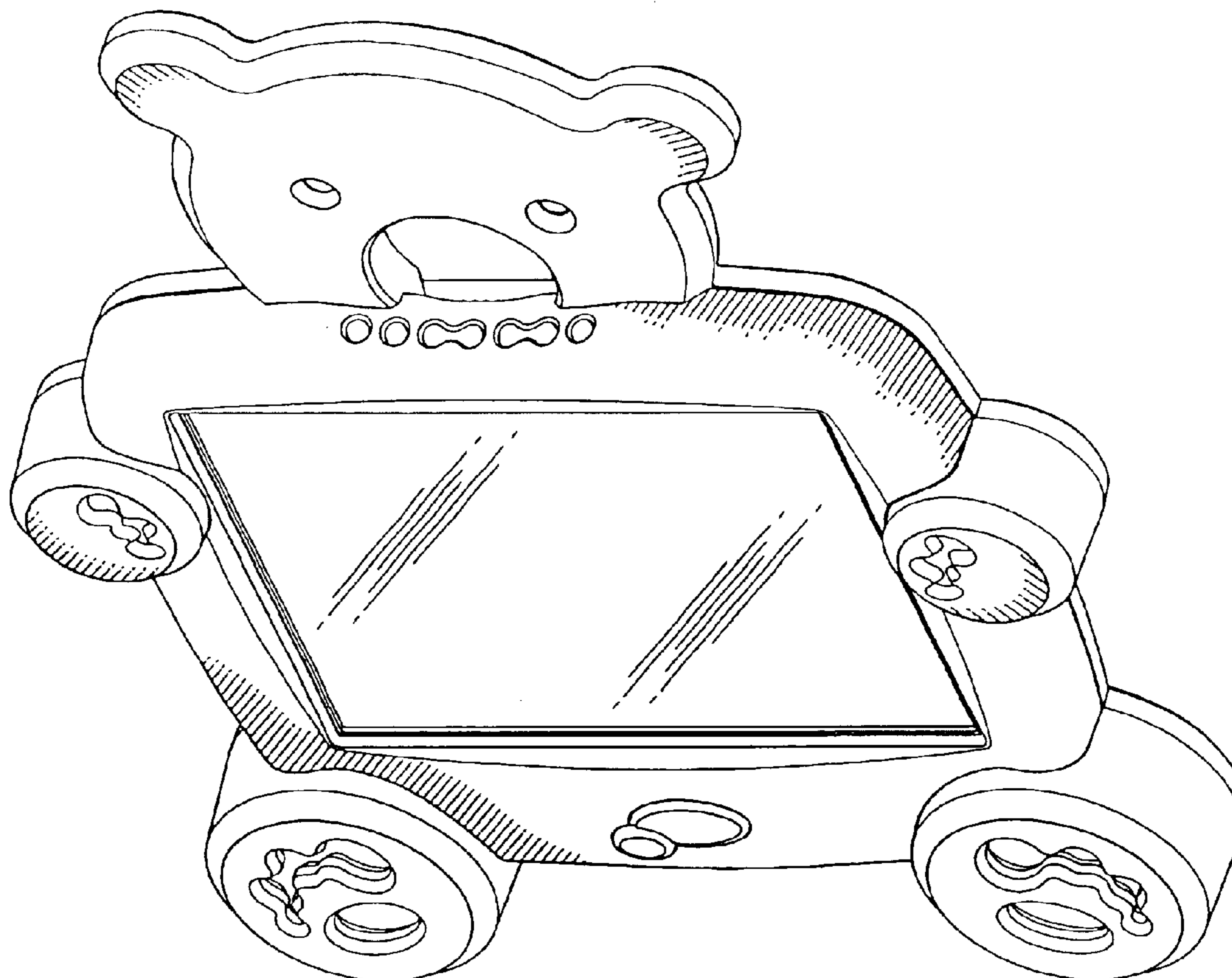
(57) **CLAIM**

The ornamental design for a liquid crystal display, as shown and described.

DESCRIPTION

FIG. 1 is a front perspective view thereof;
FIG. 2 is a front elevational view thereof;
FIG. 3 is a rear elevational view thereof;
FIG. 4 is a left side elevational view thereof;
FIG. 5 is a right side elevational view thereof;
FIG. 6 is a top plane view thereof; and,
FIG. 7 is a bottom plane view thereof.

1 Claim, 7 Drawing Sheets



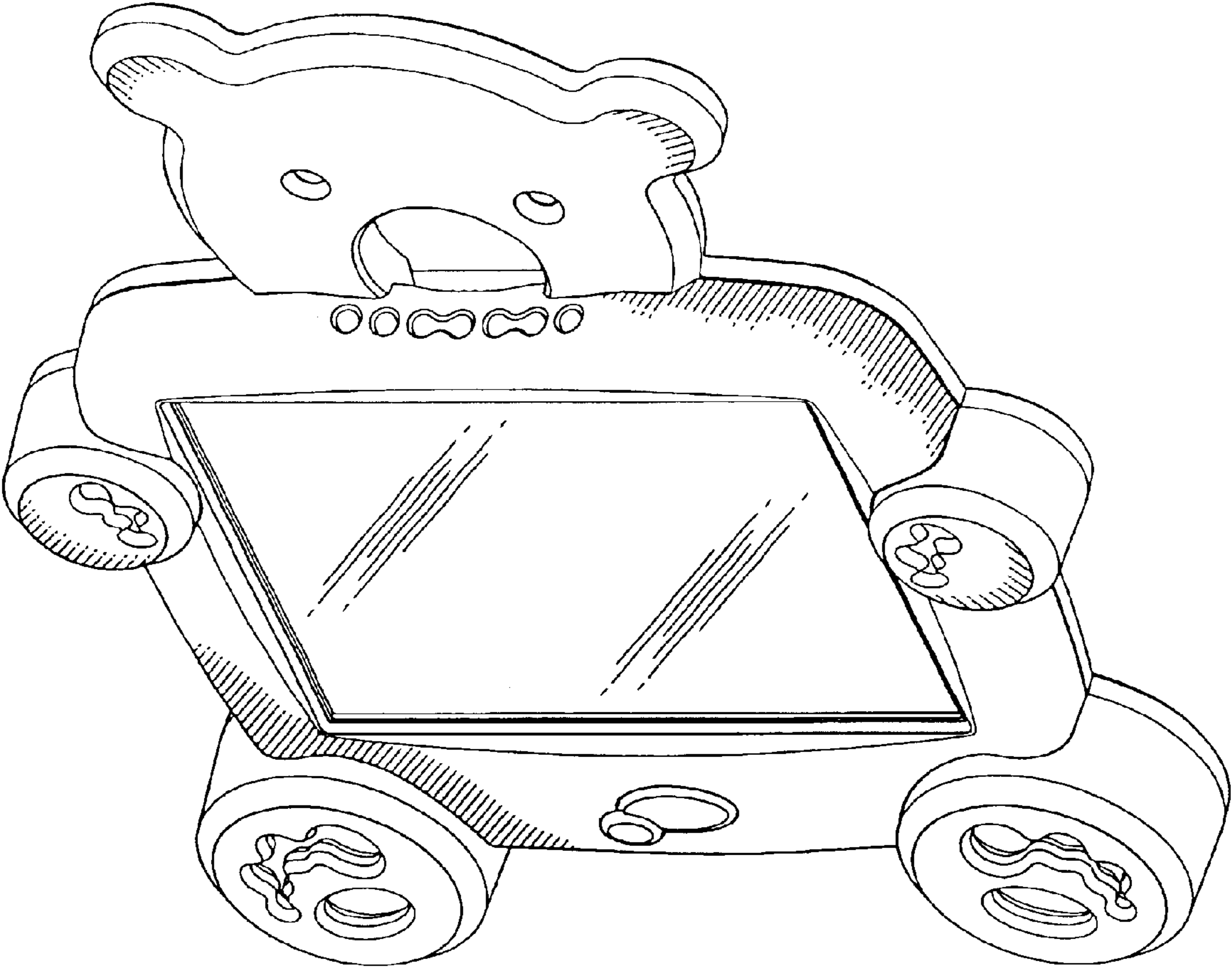


FIG. 1

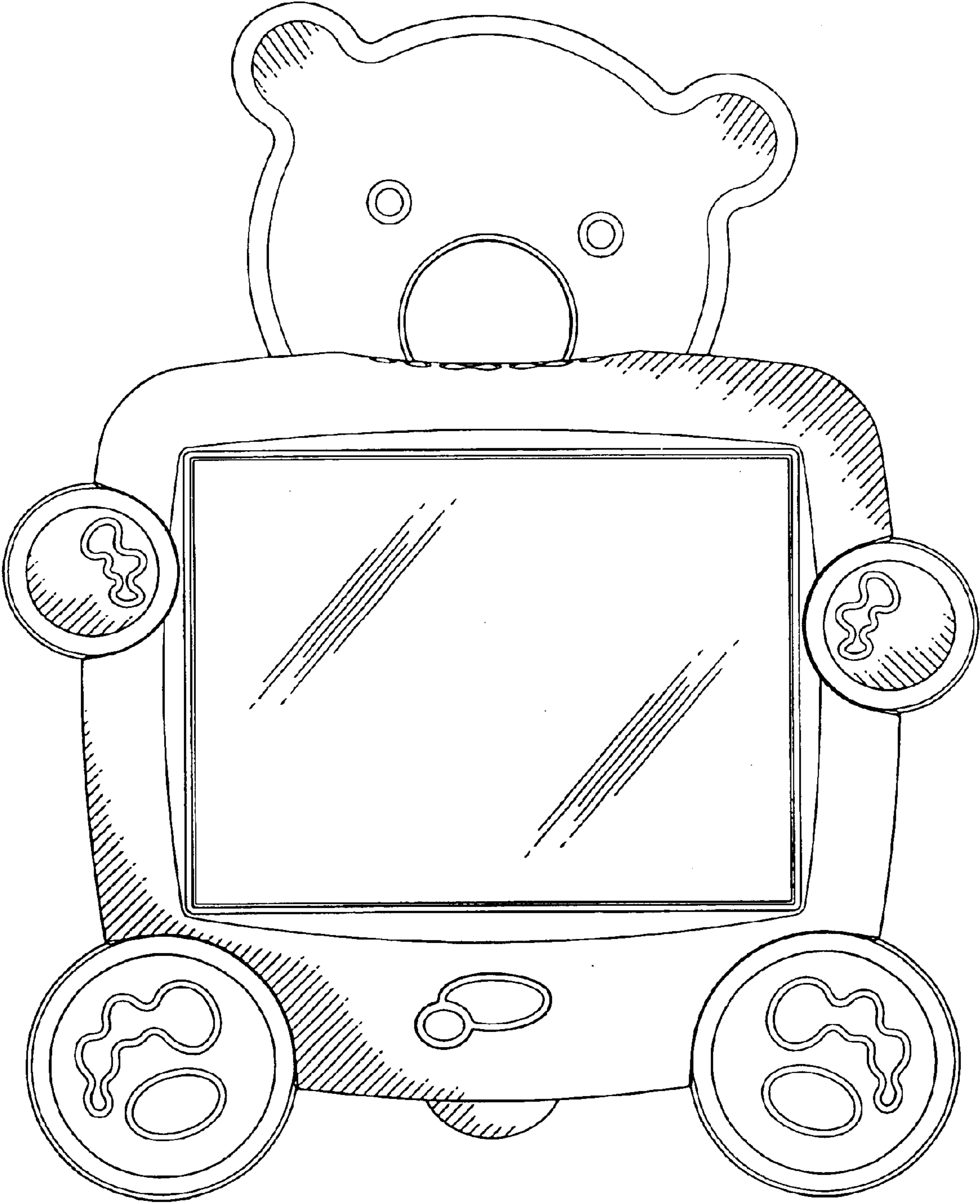


FIG. 2

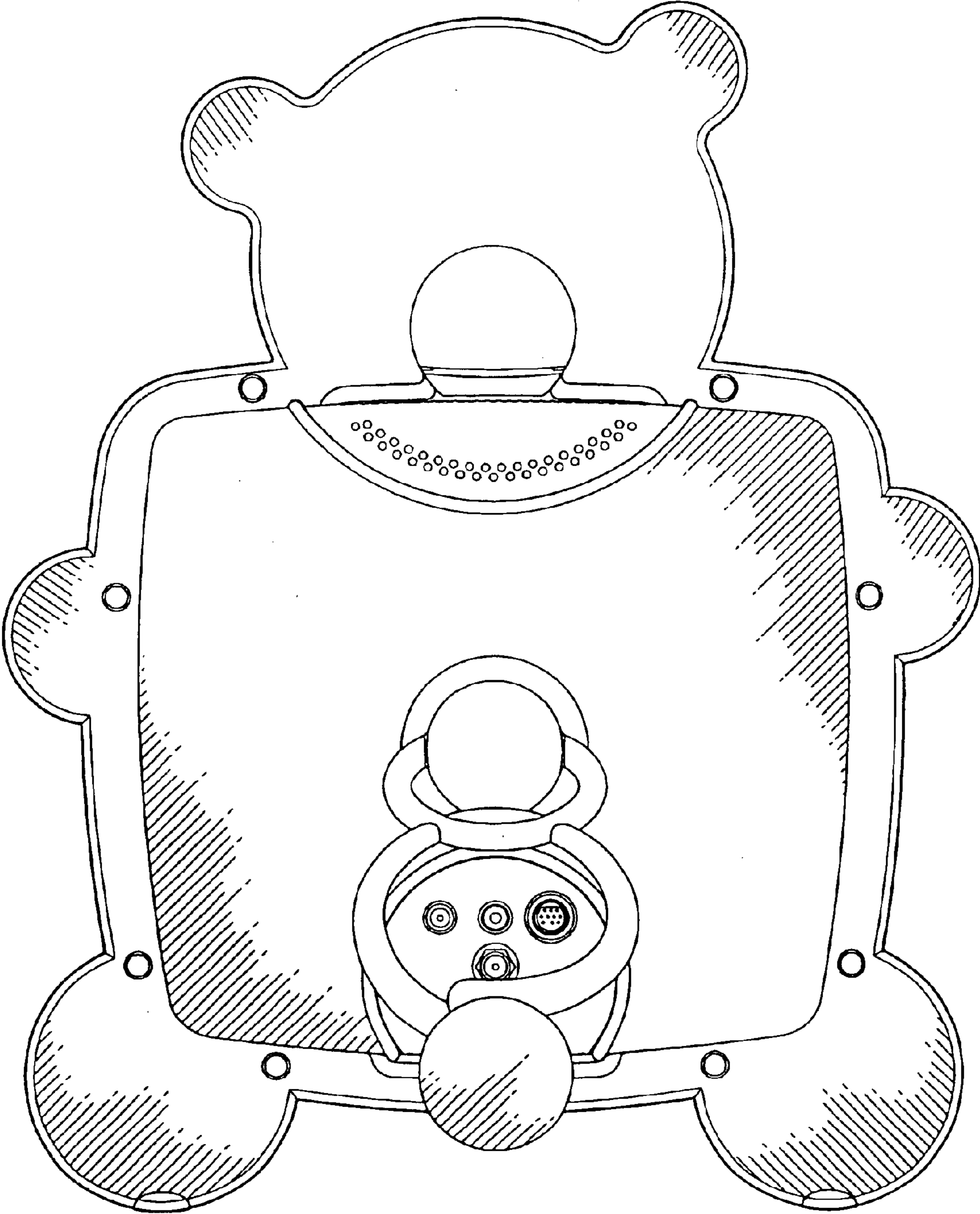


FIG. 3

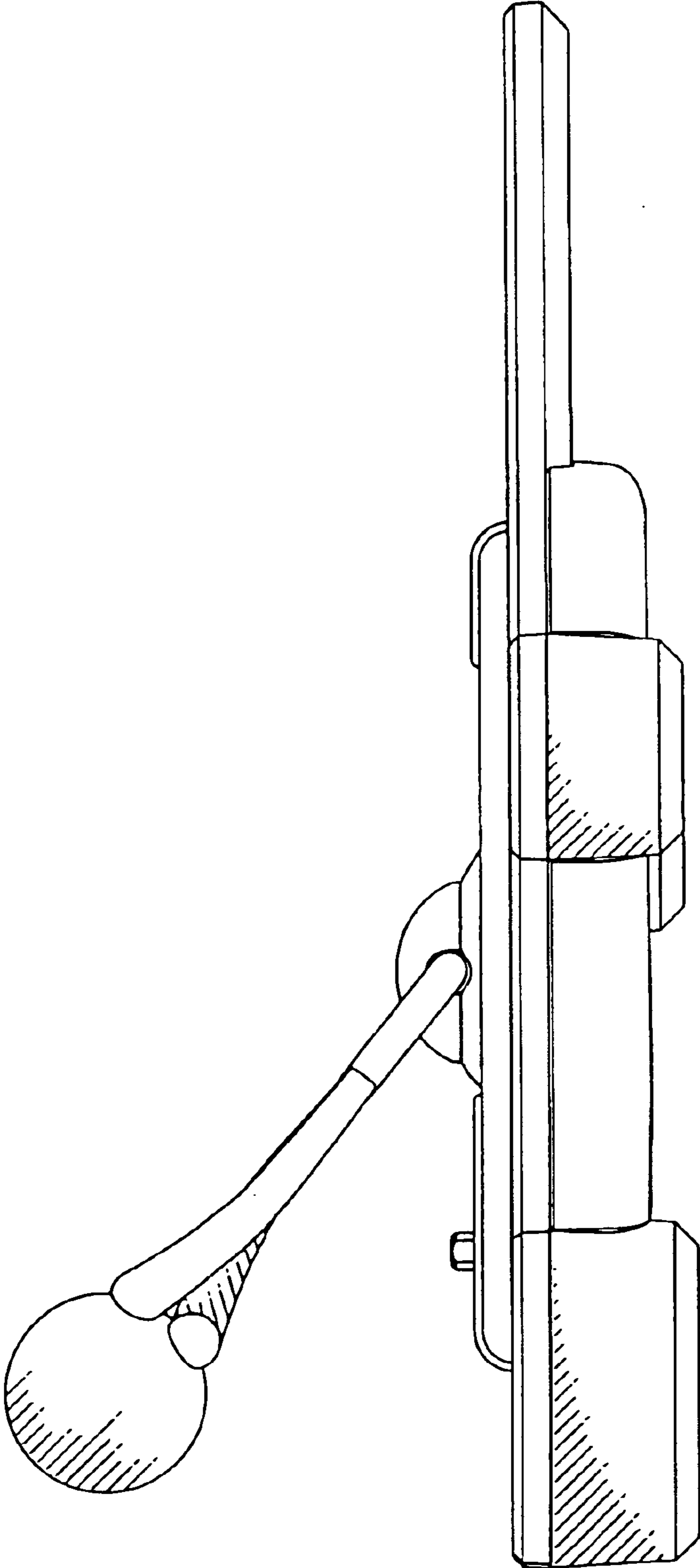


FIG. 4

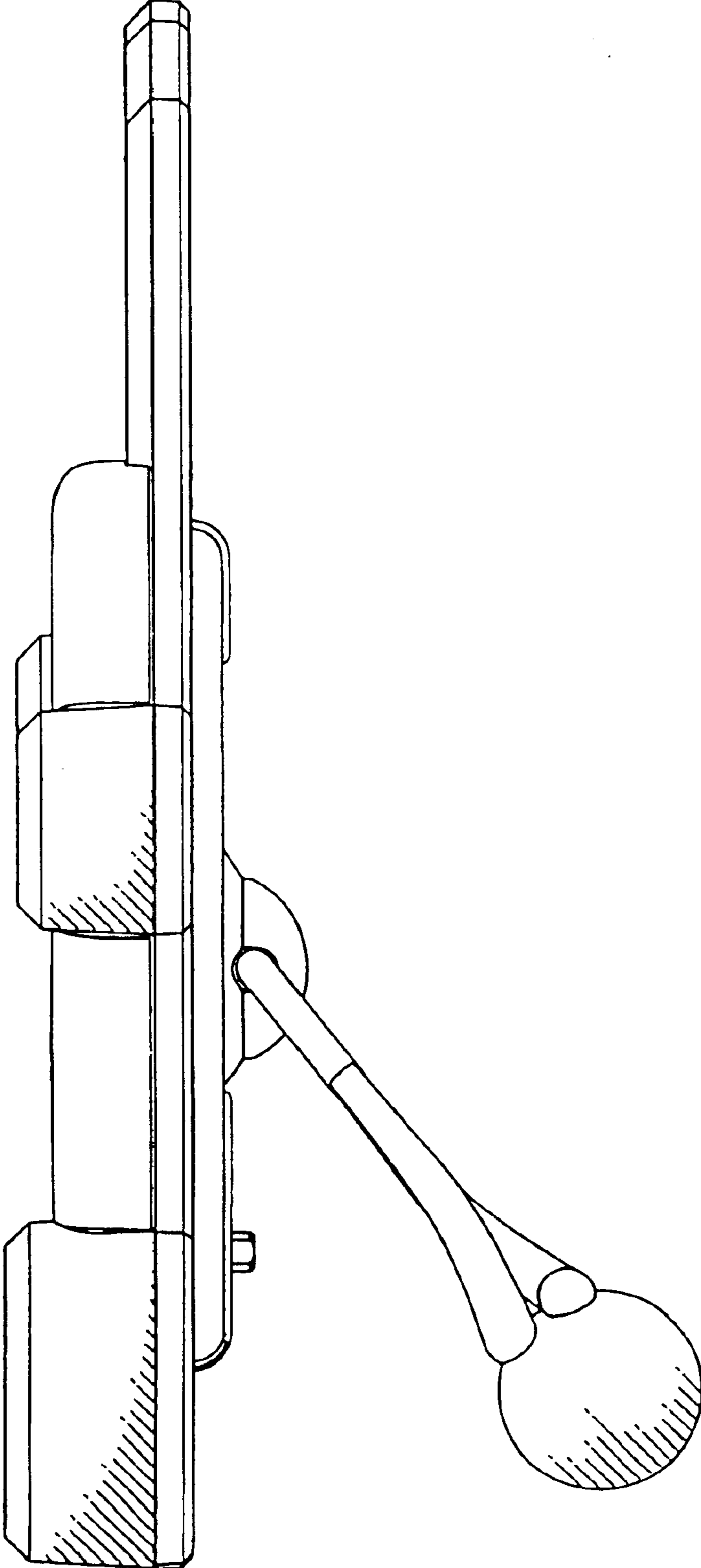


FIG. 5

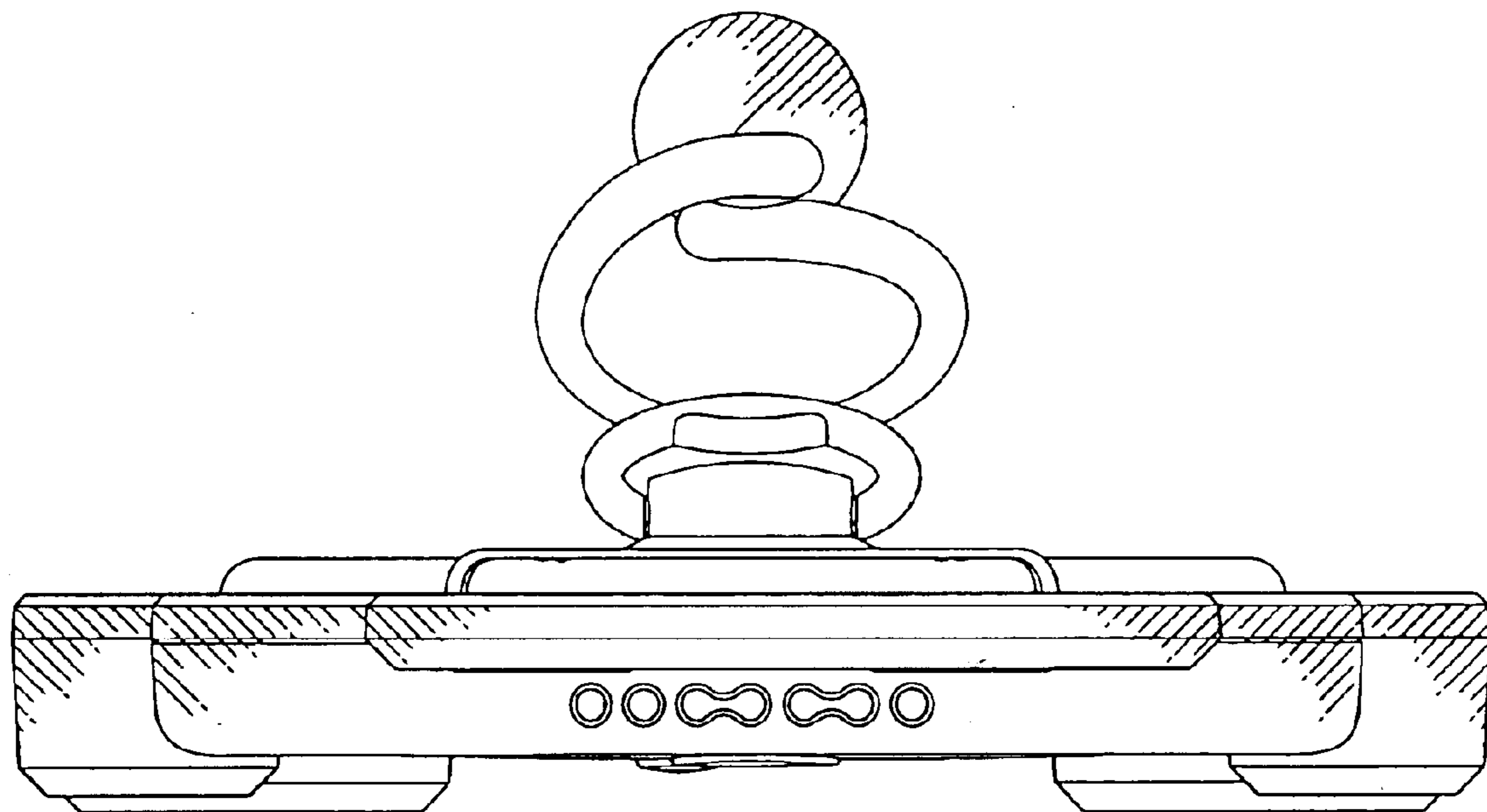


FIG. 6

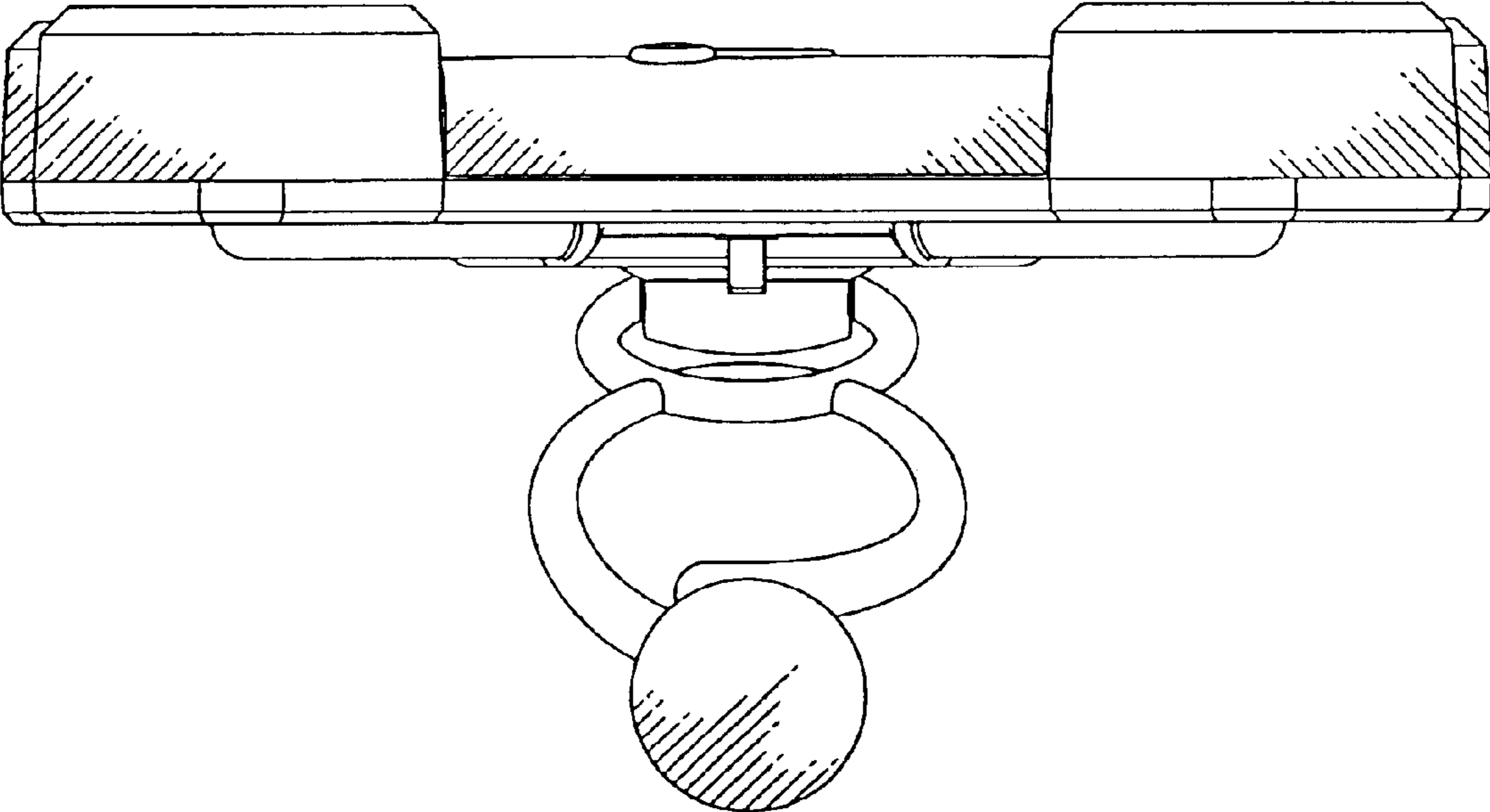


FIG. 7