

US00D495703S1

(12) **United States Design Patent**
Ma

(10) **Patent No.:** **US D495,703 S**
(45) **Date of Patent:** **** Sep. 7, 2004**

- (54) **LIQUID CRYSTAL DISPLAY**
- (75) **Inventor:** **Yi-Chun Ma, Taipei Hsien (TW)**
- (73) **Assignee:** **Hannspree, Inc., Taipei (TW)**
- (**) **Term:** **14 Years**
- (21) **Appl. No.:** **29/196,757**
- (22) **Filed:** **Jan. 5, 2004**
- (30) **Foreign Application Priority Data**
Dec. 5, 2003 (TW) 92307342
- (51) **LOC (7) Cl.** **14-02**
- (52) **U.S. Cl.** **D14/371**
- (58) **Field of Search** D14/371-375,
D14/125-129; 345/104, 156, 168, 173,
901-905, 87; 248/917-924; 348/180, 184,
325, 739; 341/12; 349/1, 2, 11, 62

- D471,550 S * 3/2003 Lin D14/375
- D483,365 S * 12/2003 Olson et al. D14/375
- D484,505 S * 12/2003 Olson et al. D14/375

* cited by examiner

Primary Examiner—Freda S. Nunn
(74) *Attorney, Agent, or Firm*—Thomas, Kayden,
Horstemeyer & Risley

(57) **CLAIM**

The ornamental design for a liquid crystal display, as shown and described.

DESCRIPTION

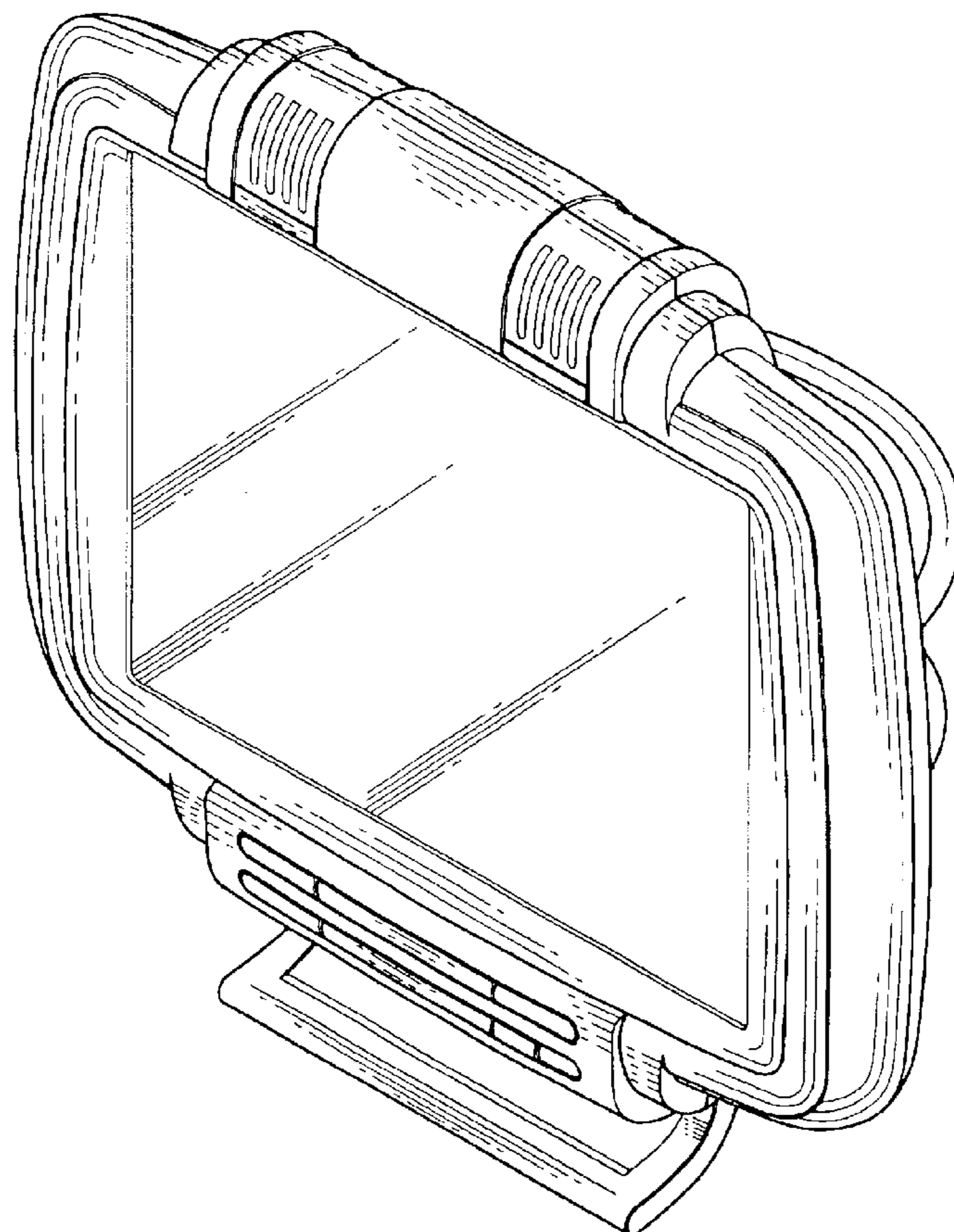
FIG. 1 is a front perspective view thereof;
FIG. 2 is a front elevational view thereof;
FIG. 3 is a rear elevational view thereof;
FIG. 4 is a left side elevational view thereof;
FIG. 5 is a right side elevational view thereof;
FIG. 6 is a top plane view thereof; and,
FIG. 7 is a bottom plane view thereof.

(56) **References Cited**

U.S. PATENT DOCUMENTS

- D426,545 S * 6/2000 Smith et al. D14/371

1 Claim, 7 Drawing Sheets



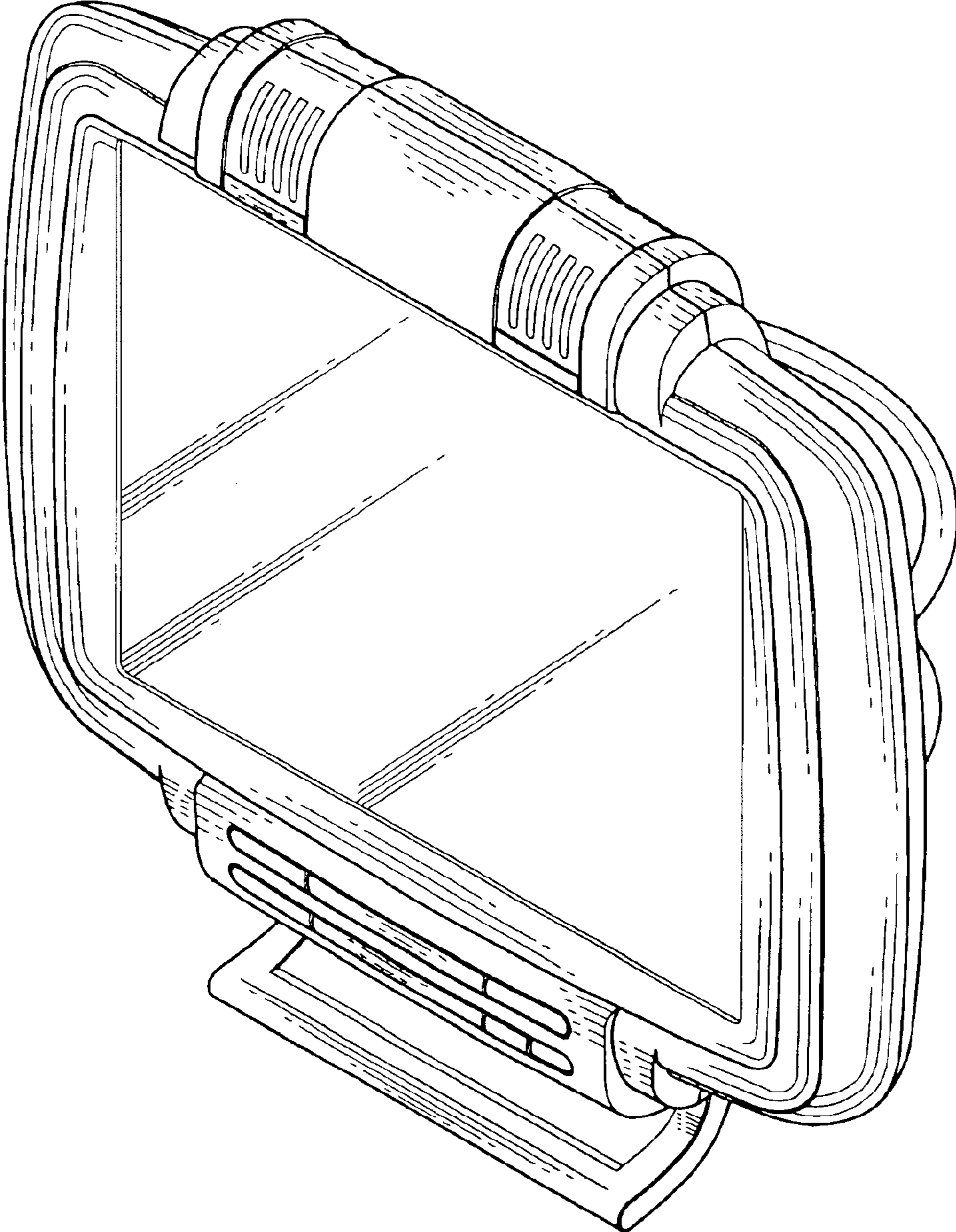


FIG. 1

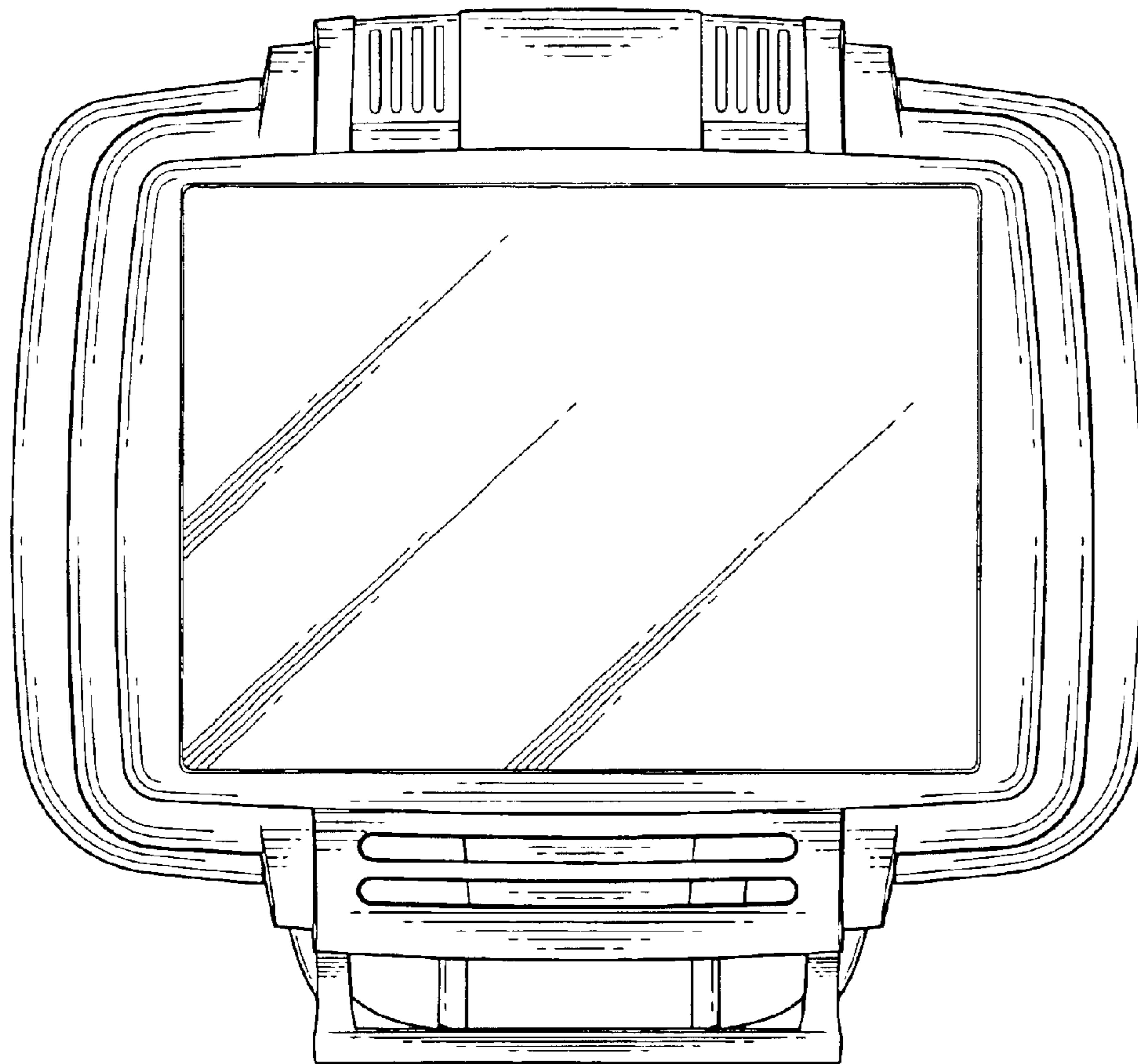


FIG. 2

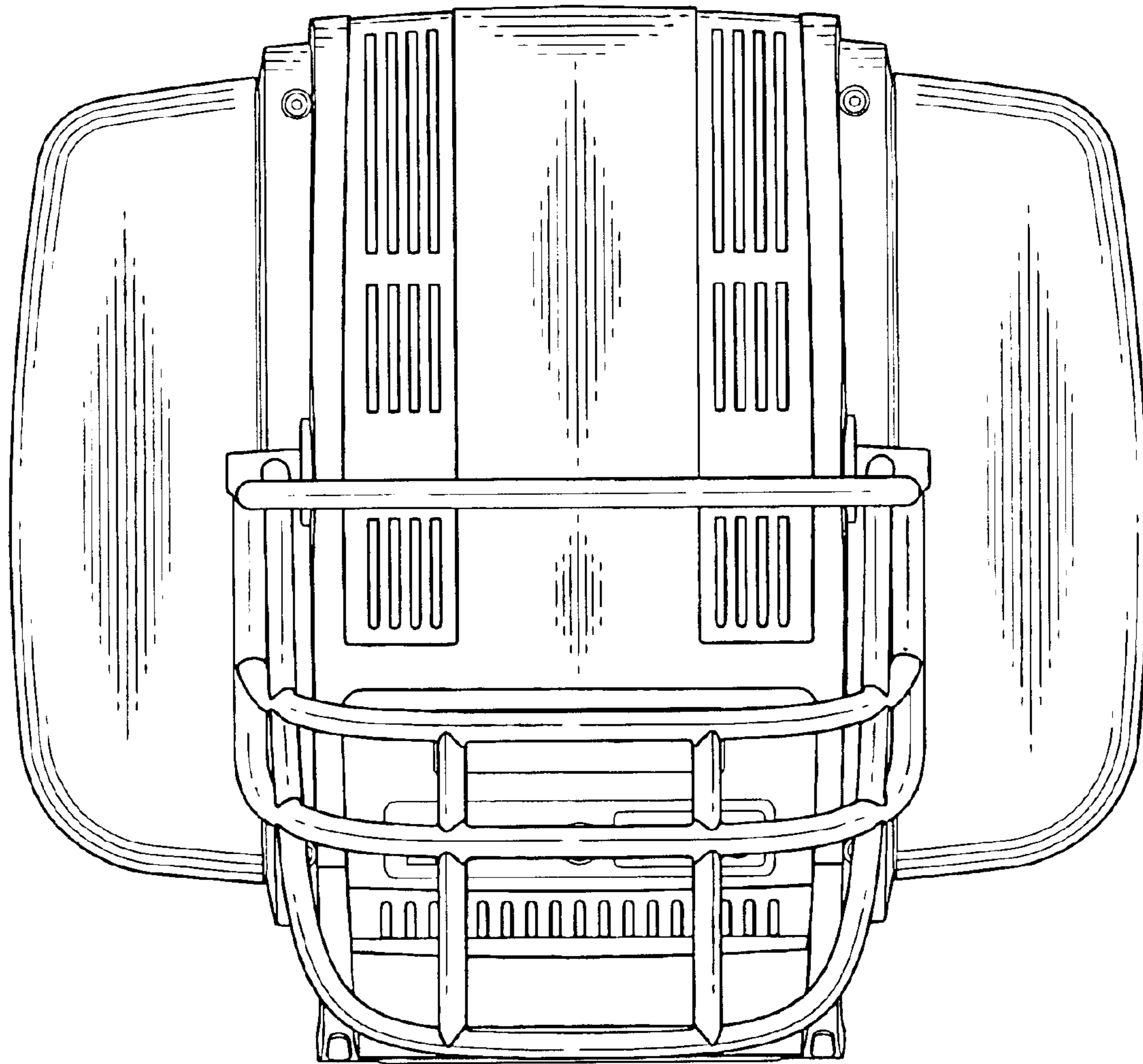


FIG. 3

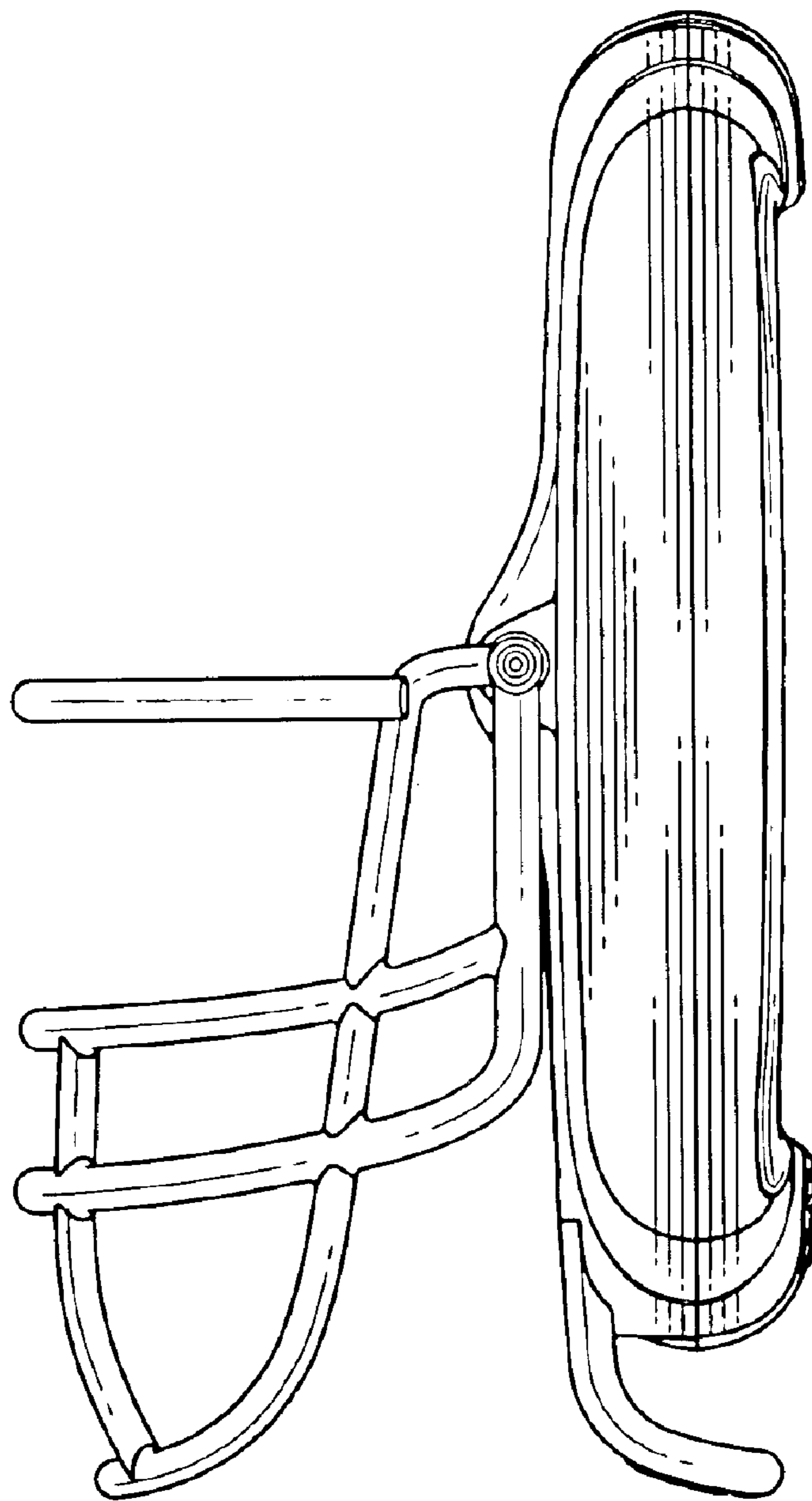


FIG. 4

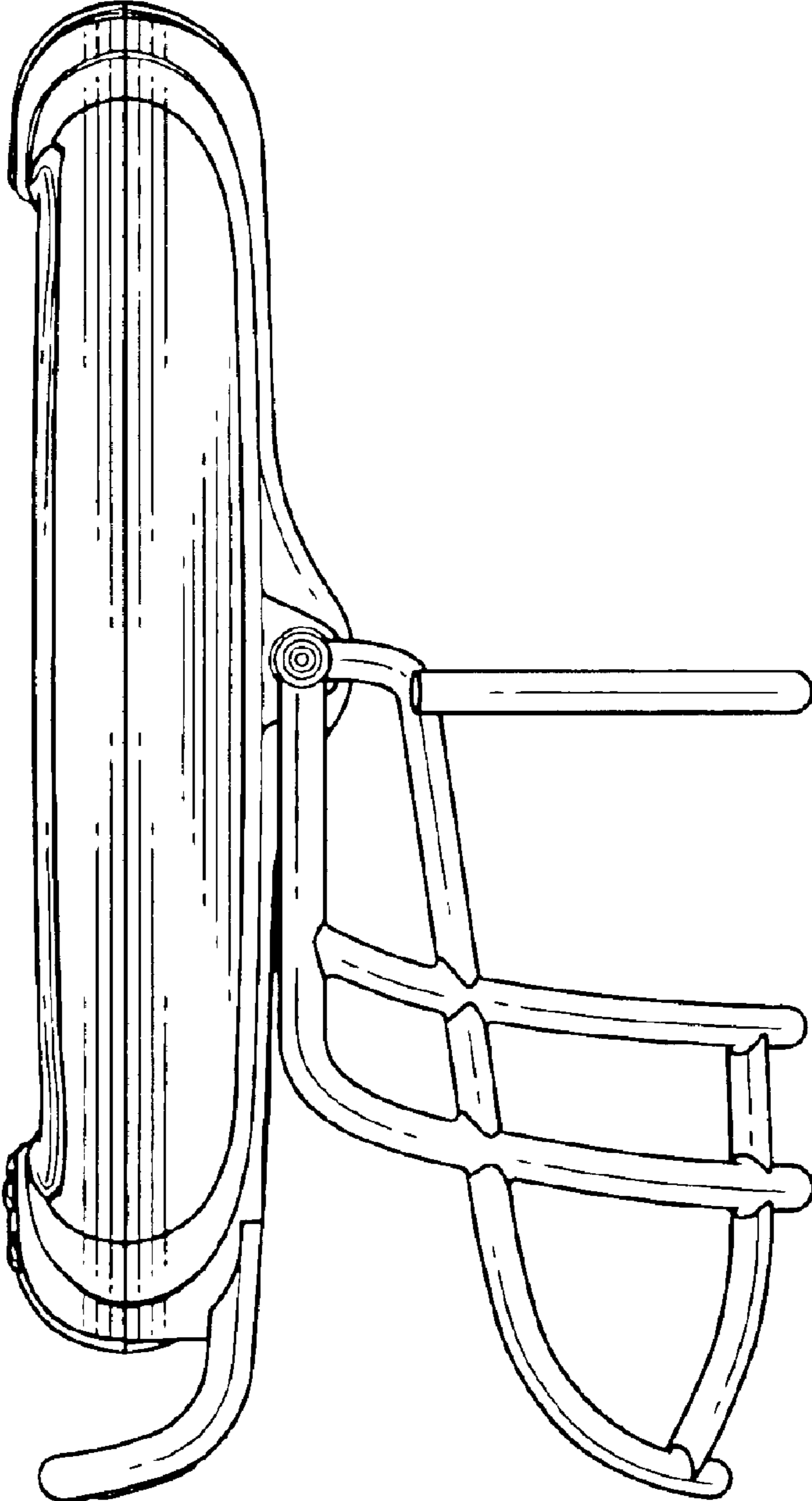


FIG. 5

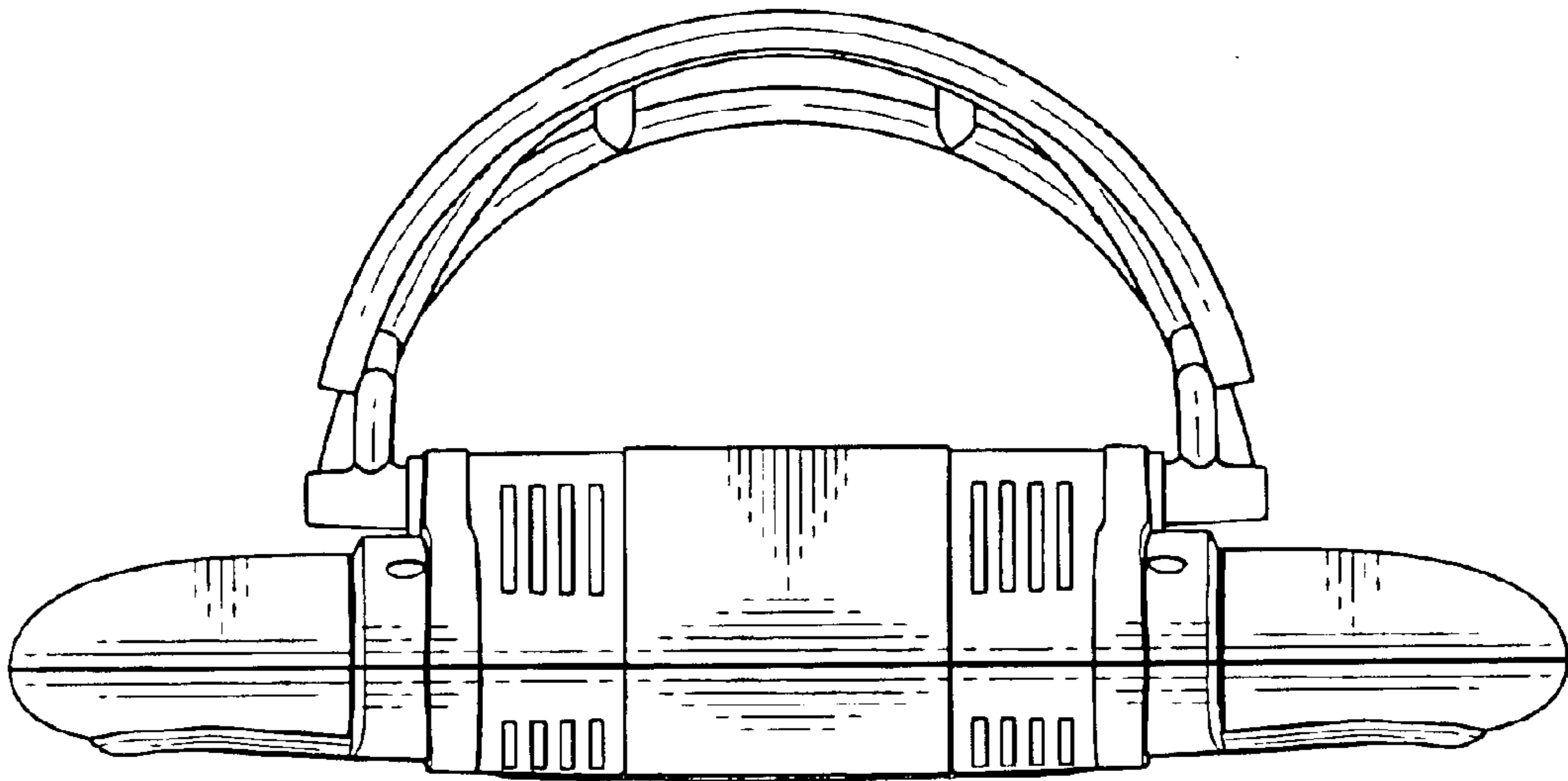


FIG. 6

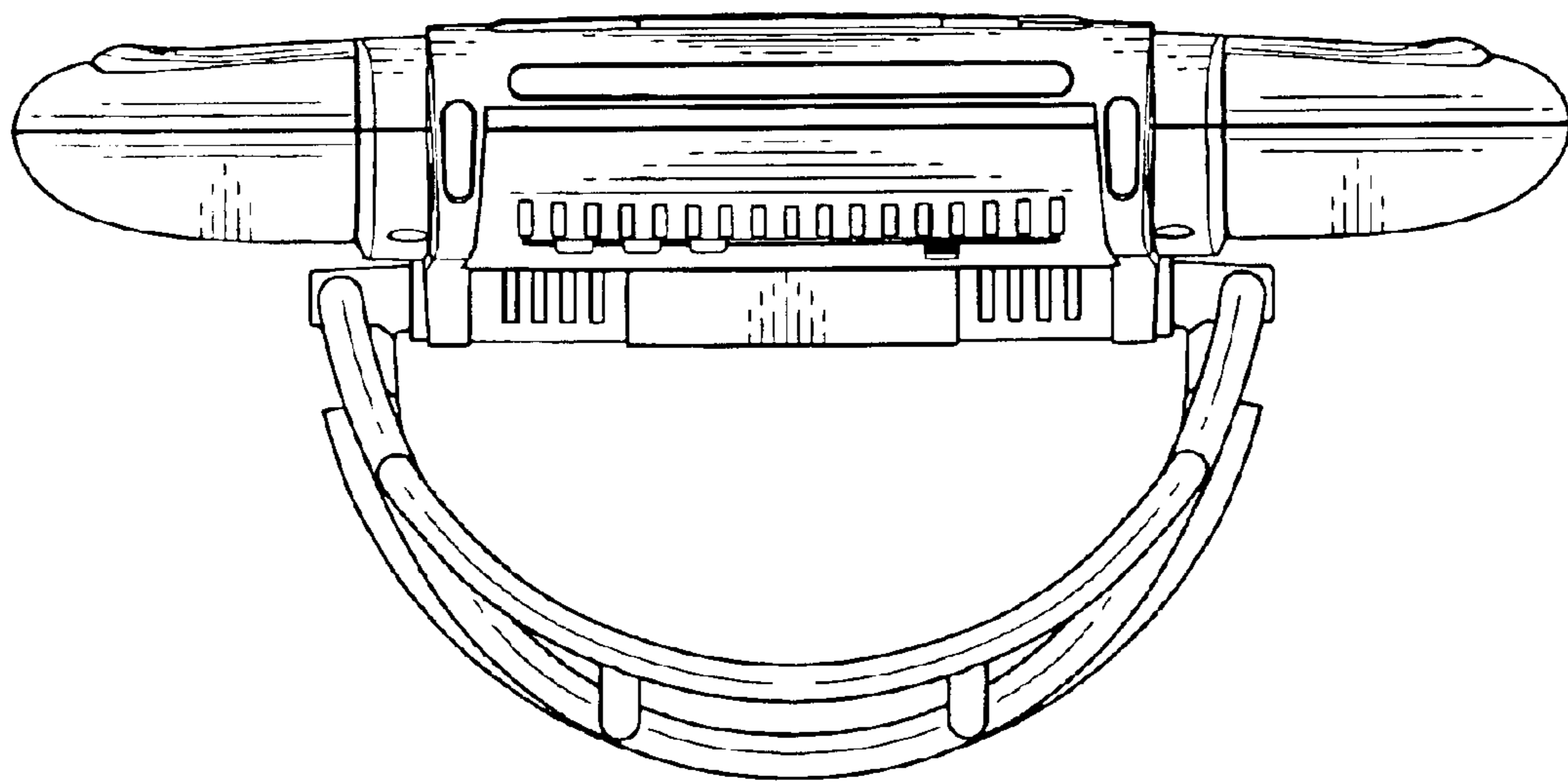


FIG. 7