

US00D495702S1

(12) **United States Design Patent**
Olson et al.

(10) **Patent No.:** **US D495,702 S**
(45) **Date of Patent:** **** Sep. 7, 2004**

(54) **LIQUID CRYSTAL DISPLAY**

(75) Inventors: **Mark H. Olson**, Sunnyvale, CA (US);
Jeff Wyatt, Sunnyvale, CA (US);
Michael Voege, Sunnyvale, CA (US);
Luke Williams, Sunnyvale, CA (US);
Garth Gibby, Sunnyvale, CA (US);
Ethan Imboden, Sunnyvale, CA (US);
Ana Reza, Sunnyvale, CA (US)

(73) Assignee: **Hannspree, Inc.**, Taipei (TW)

(**) Term: **14 Years**

(21) Appl. No.: **29/194,081**

(22) Filed: **Nov. 19, 2003**

(30) **Foreign Application Priority Data**

Aug. 21, 2003 (CN) 92305108

(51) **LOC (7) Cl.** **14-02**

(52) **U.S. Cl.** **D14/371**

(58) **Field of Search** D14/371-375,
D14/125-129, 341; 341/12; 345/104, 156,
168, 173; 348/180, 184, 325, 739; 349/1,
2, 11, 62

(56) **References Cited**

U.S. PATENT DOCUMENTS

D404,761 S * 1/1999 Tarpinning et al. D14/341
D407,388 S * 3/1999 Liao D14/374
D416,549 S * 11/1999 Coster et al. D14/375
D464,646 S * 10/2002 Lin D14/341
D481,729 S * 11/2003 Olson et al. D14/375

* cited by examiner

Primary Examiner—Freda S. Nunn

(74) *Attorney, Agent, or Firm*—Thomas, Kayden,
Horstemeyer & Risley

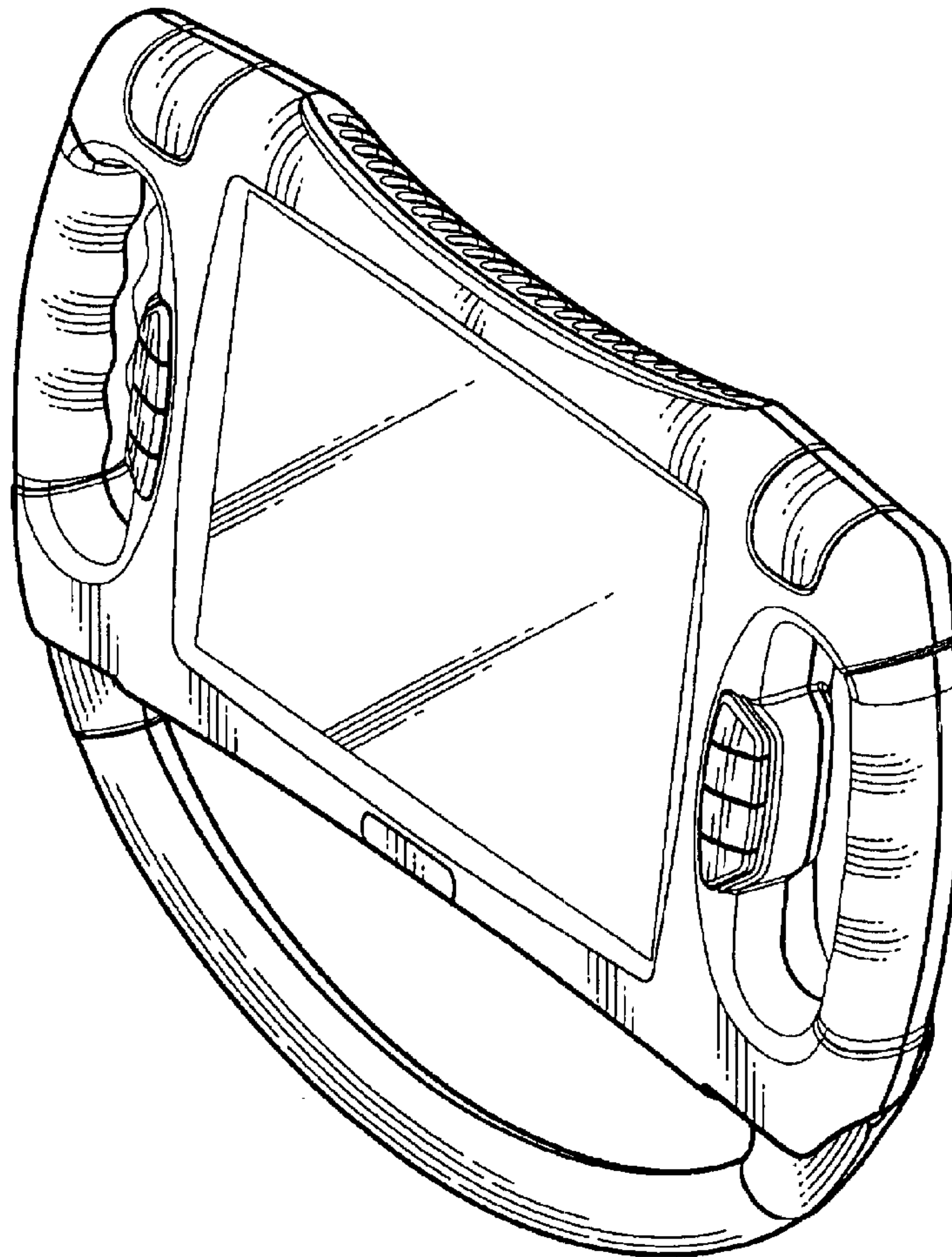
(57) **CLAIM**

The ornamental design for a liquid crystal display, as shown and described.

DESCRIPTION

FIG. 1 is a front perspective view thereof;
FIG. 2 is a front elevational view thereof;
FIG. 3 is a rear elevational view thereof;
FIG. 4 is a left side elevational view thereof;
FIG. 5 is a right side elevational view thereof;
FIG. 6 is a top plane view thereof; and,
FIG. 7 is a bottom plane view thereof.

1 Claim, 7 Drawing Sheets



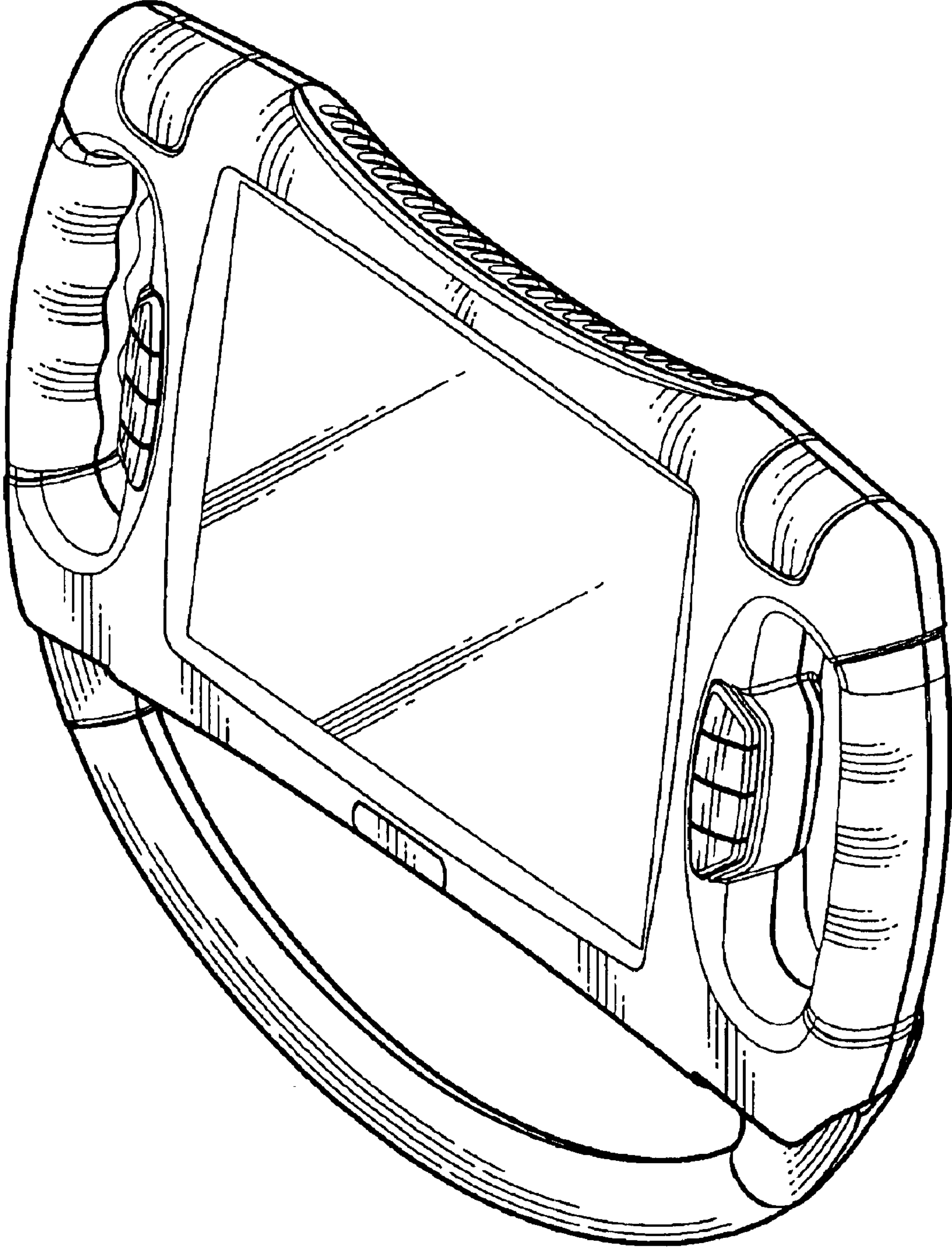


FIG. 1

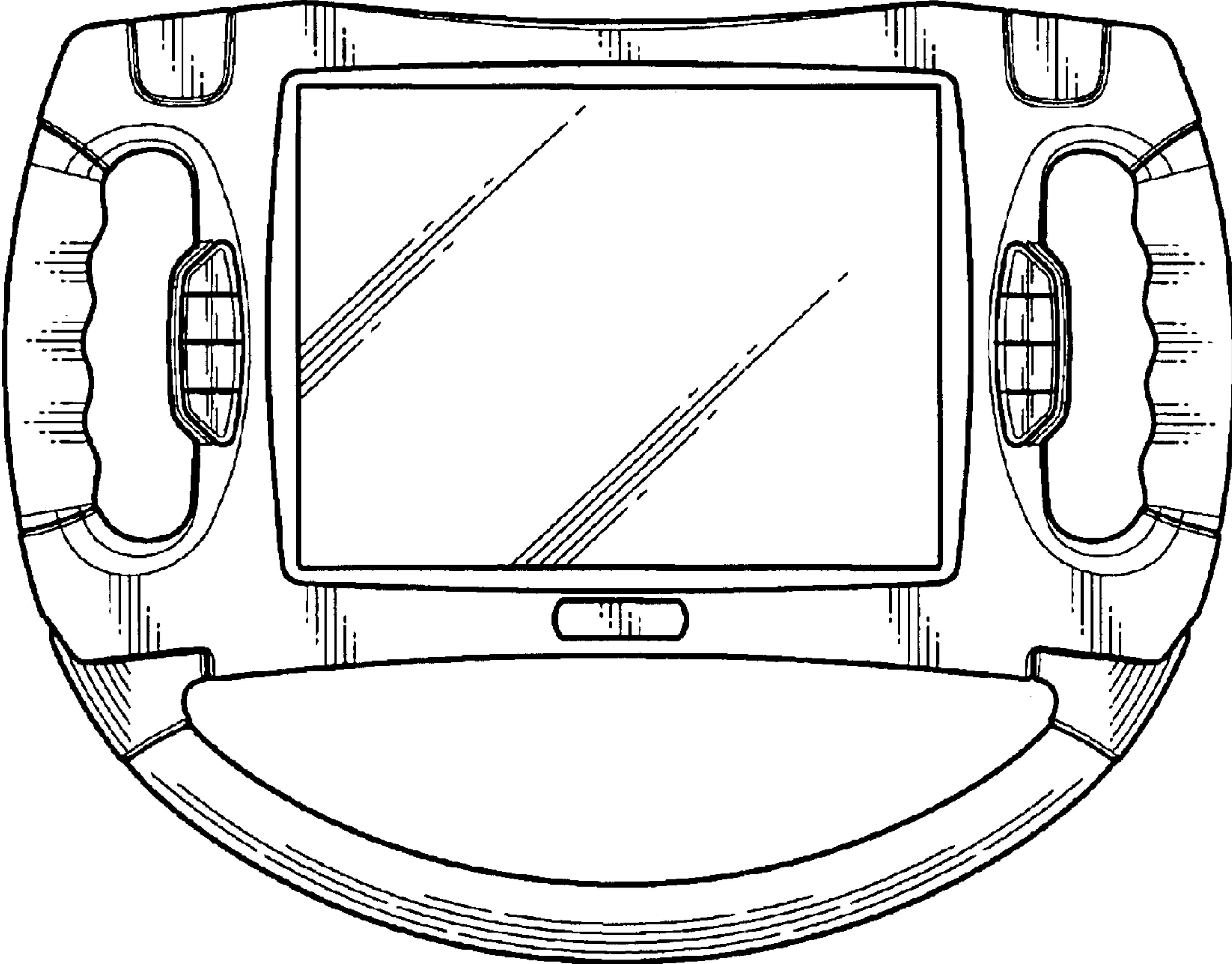


FIG. 2

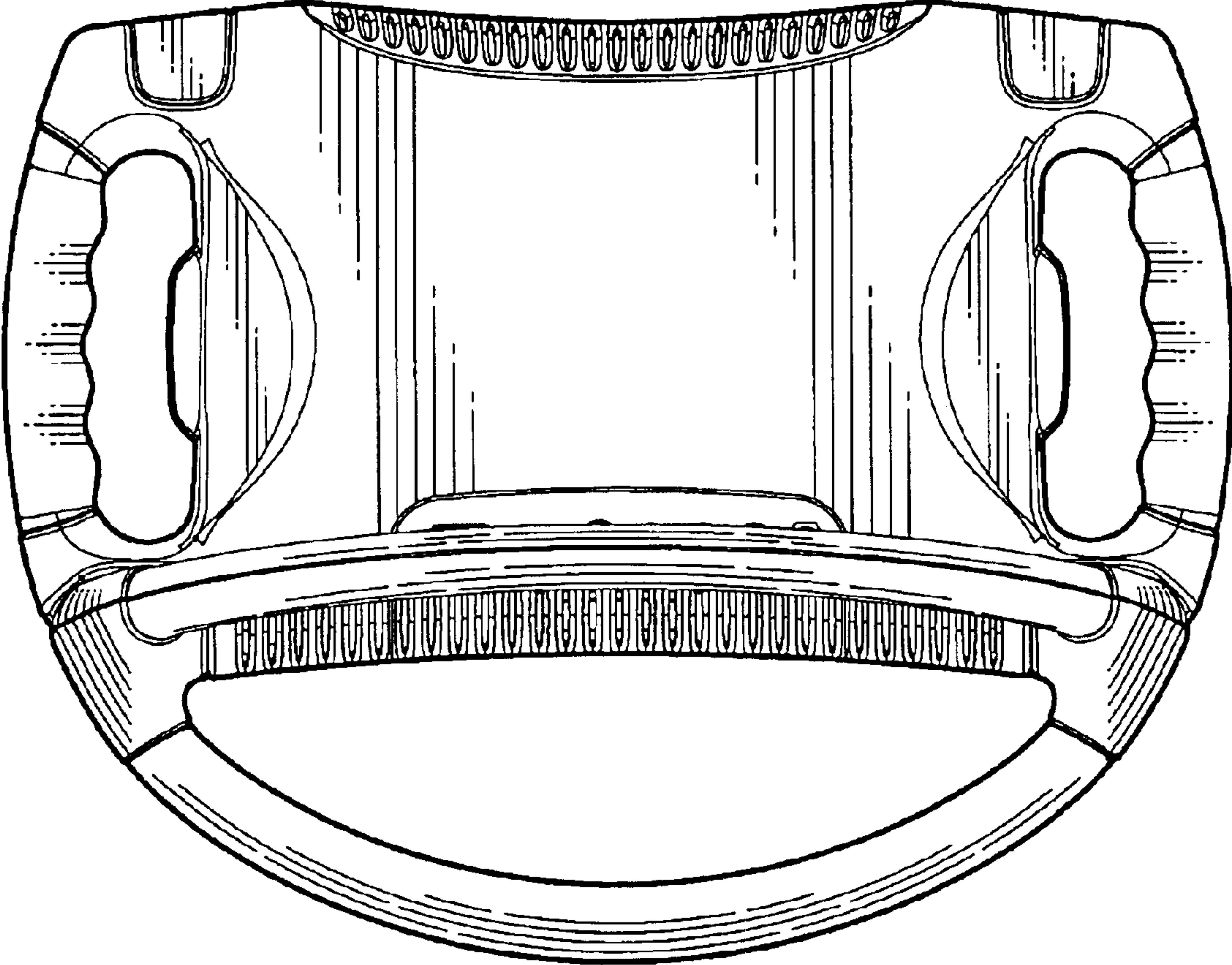


FIG. 3

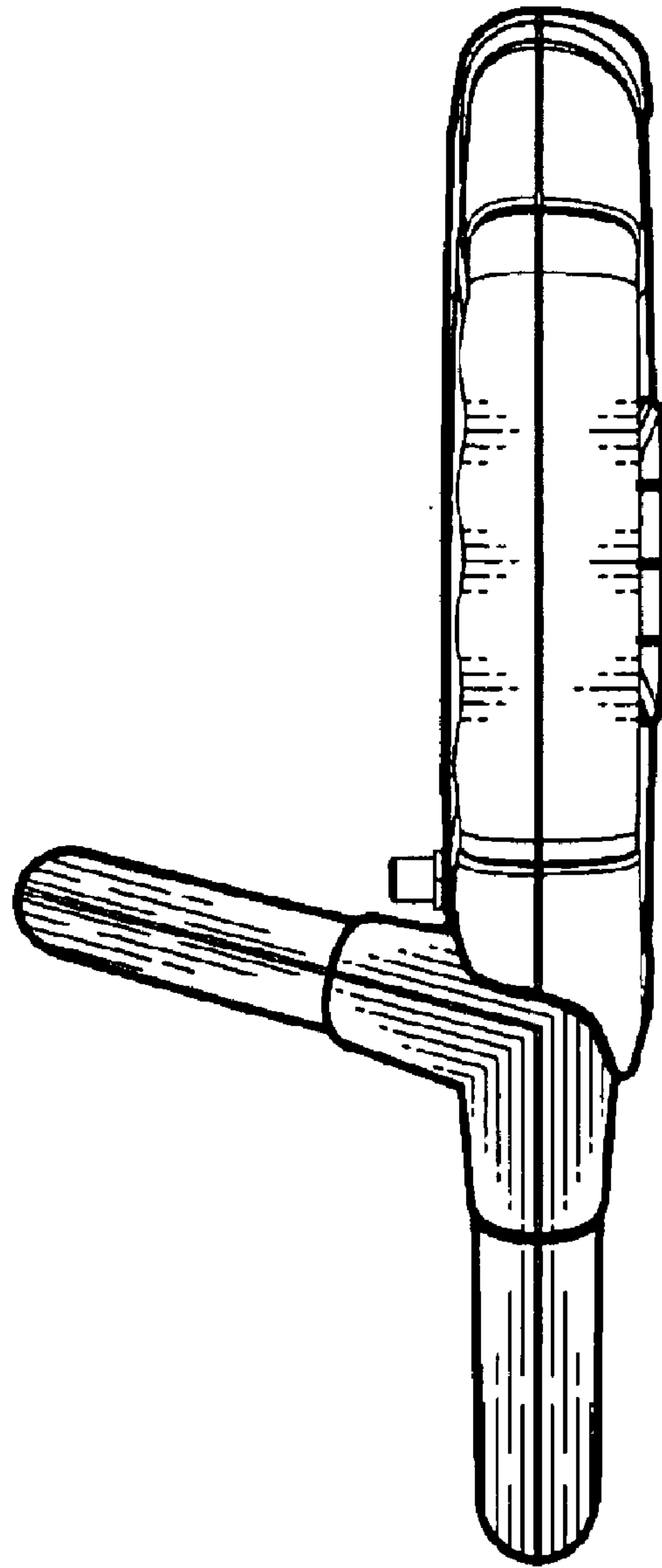


FIG. 4

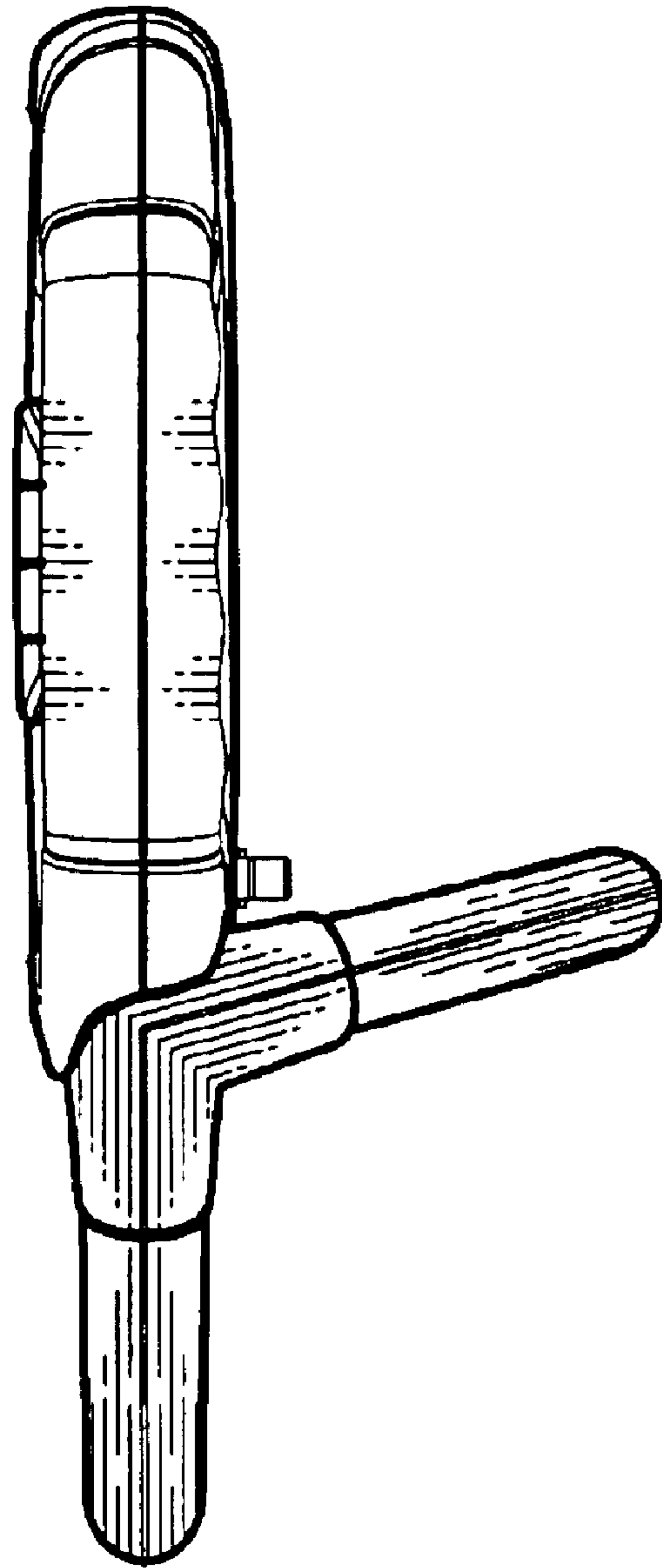


FIG. 5

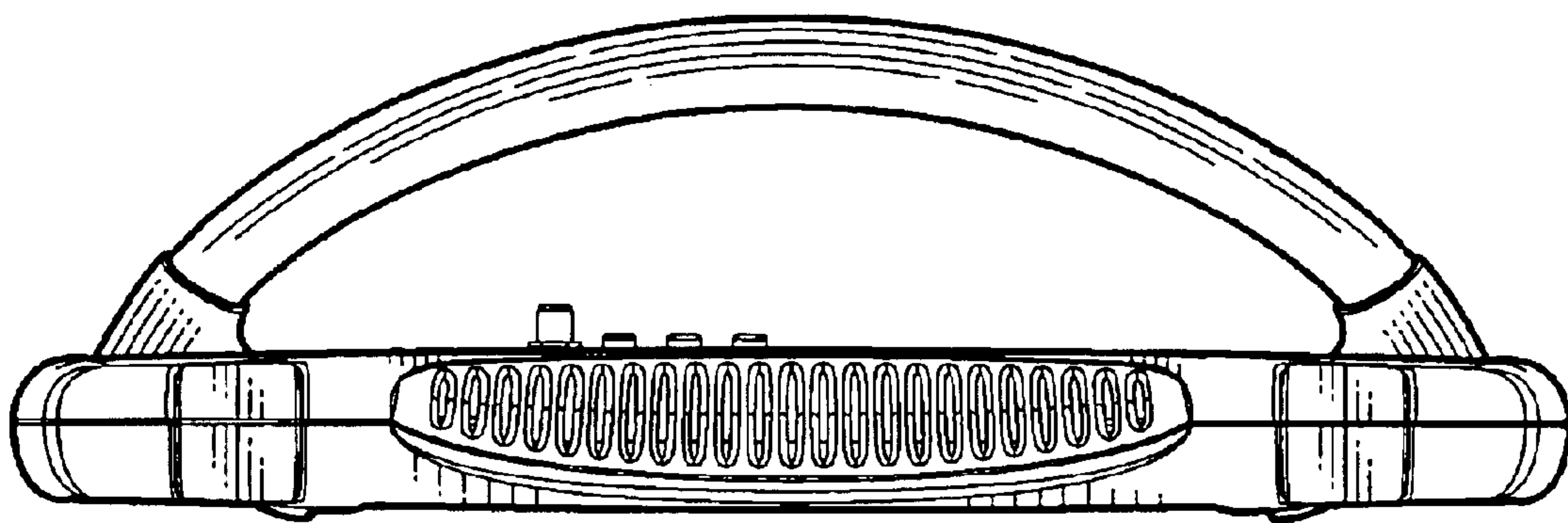


FIG. 6

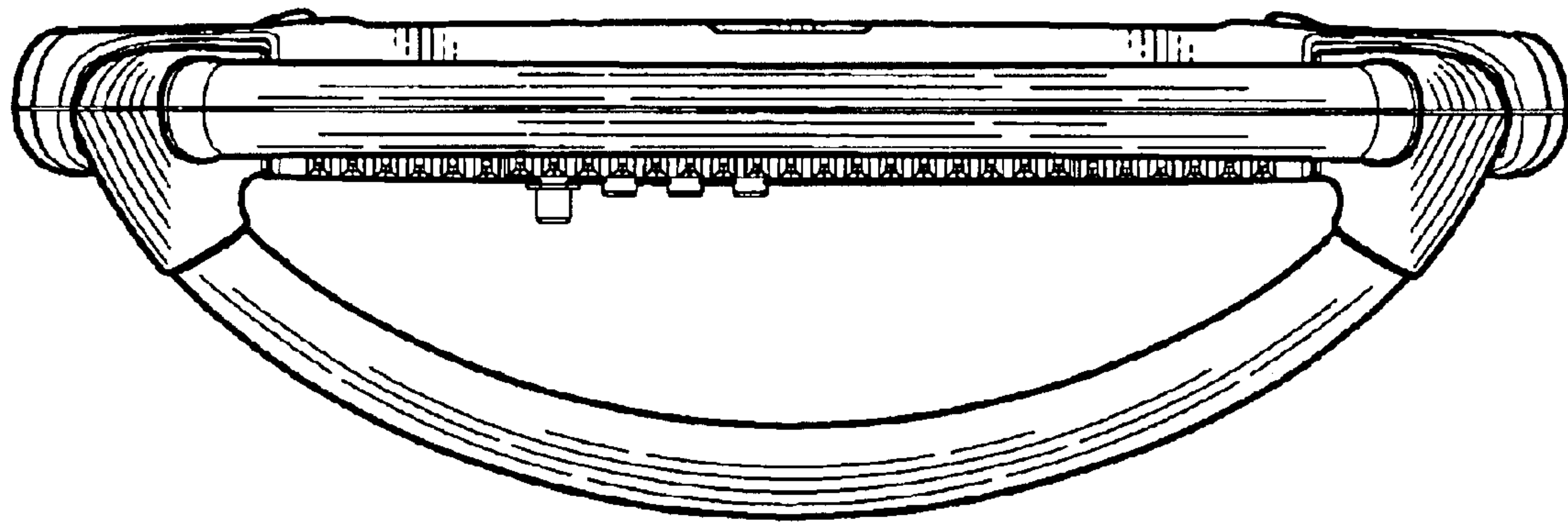


FIG. 7