

US00D495698S1

(12) **United States Design Patent** (10) **Patent No.:** **US D495,698 S**  
**Lee** (45) **Date of Patent:** **\*\* Sep. 7, 2004**

(54) **PERSONAL COMPUTER**

D466,506 S \* 12/2002 Matsuoka ..... D14/349

(76) **Inventor:** **Sen Lee**, 3F, No. 1, Alley 5, Sec. 5,  
Nan Yia West Road, Panchiao City,  
Taipei Hsien (TW)

\* cited by examiner

*Primary Examiner*—Freda S. Nunn  
(74) *Attorney, Agent, or Firm*—Troxell Law Office PLLC

(\*\*) **Term:** **14 Years**

(57) **CLAIM**

The ornamental design for personal computer, as shown and described.

(21) **Appl. No.:** **29/196,811**

(22) **Filed:** **Jan. 7, 2004**

**DESCRIPTION**

(51) **LOC (7) Cl.** ..... **14-02**

FIG. 1 is a top front and left side perspective view of personal computer showing my new design;  
FIG. 2 is a front elevational view thereof;  
FIG. 3 is a rear elevational view thereof;  
FIG. 4 is a left side elevational view thereof;  
FIG. 5 is a right side elevational view thereof;  
FIG. 6 is a top plan view thereof; and,  
FIG. 7 is a bottom plan view thereof; and,  
FIG. 8 is another top, front and left side perspective view of a second embodiment thereof showing my new design.

(52) **U.S. Cl.** ..... **D14/353**

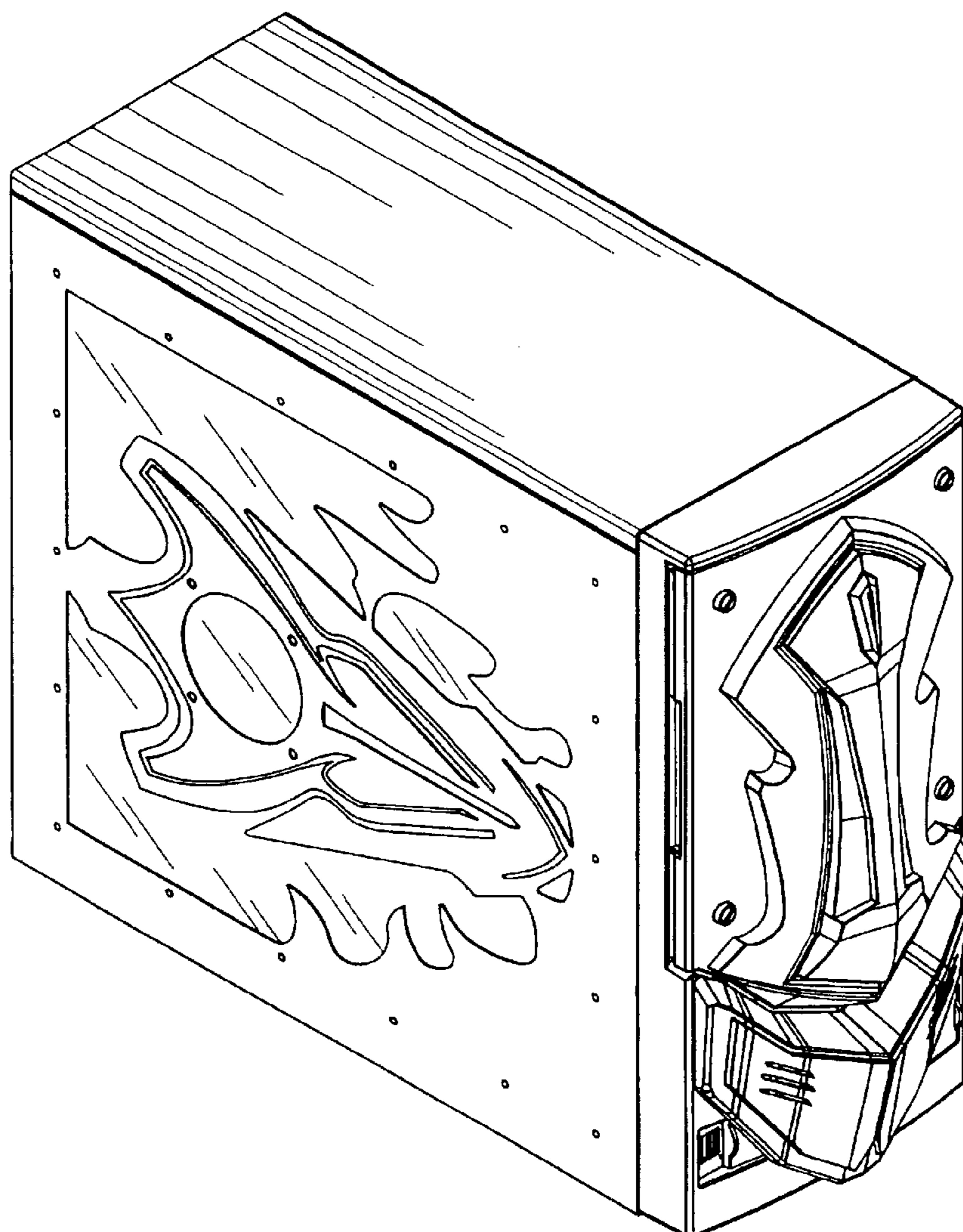
(58) **Field of Search** ..... D14/349–356;  
D13/162, 184, 199; 312/223.1–223.3; 360/99.01–99.12;  
361/690–696; 369/34.01, 36.01

(56) **References Cited**

**U.S. PATENT DOCUMENTS**

D426,198 S \* 6/2000 Lee et al. .... D14/349  
D449,298 S \* 10/2001 Matsuoka ..... D14/349

**1 Claim, 4 Drawing Sheets**



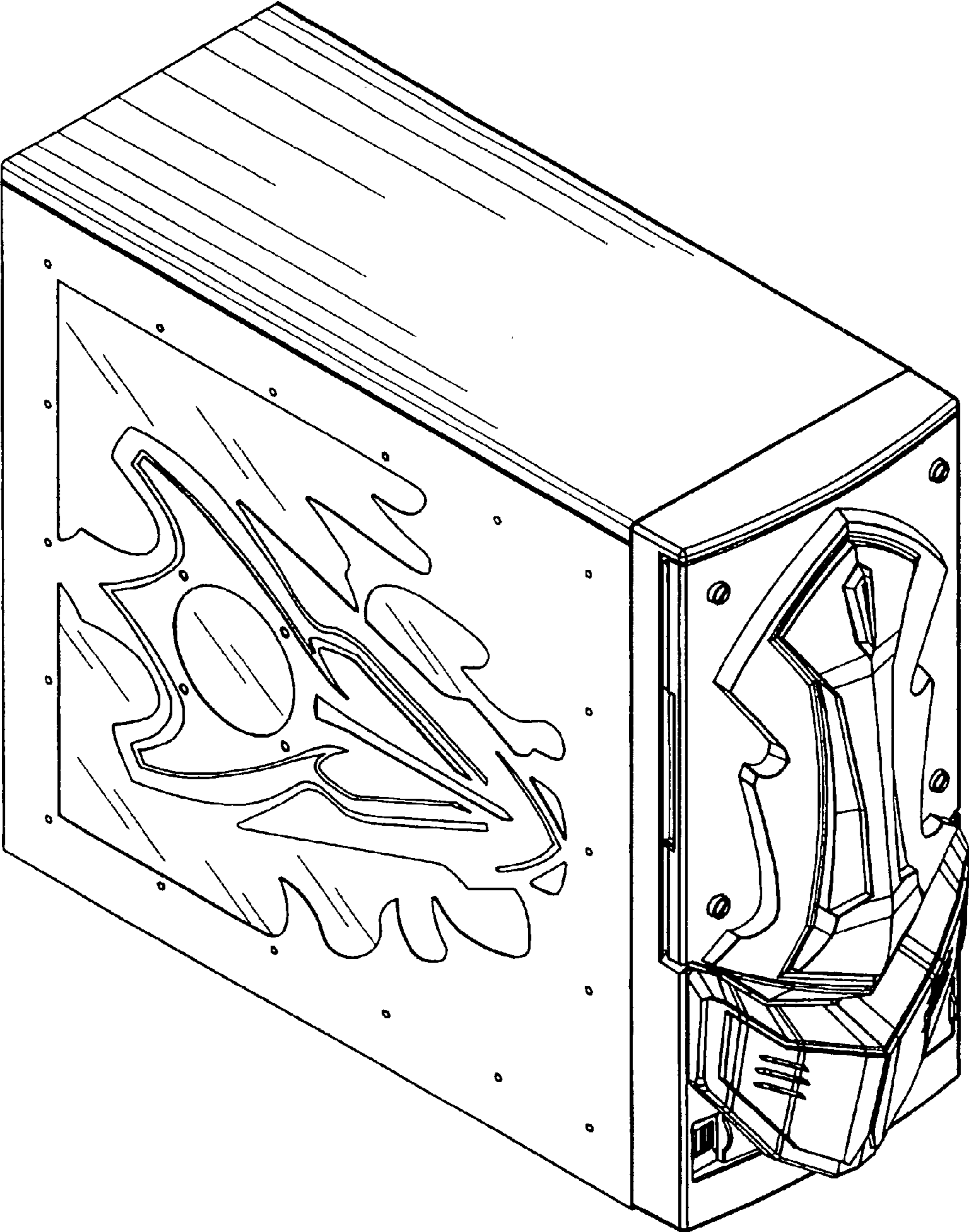


Fig. 1

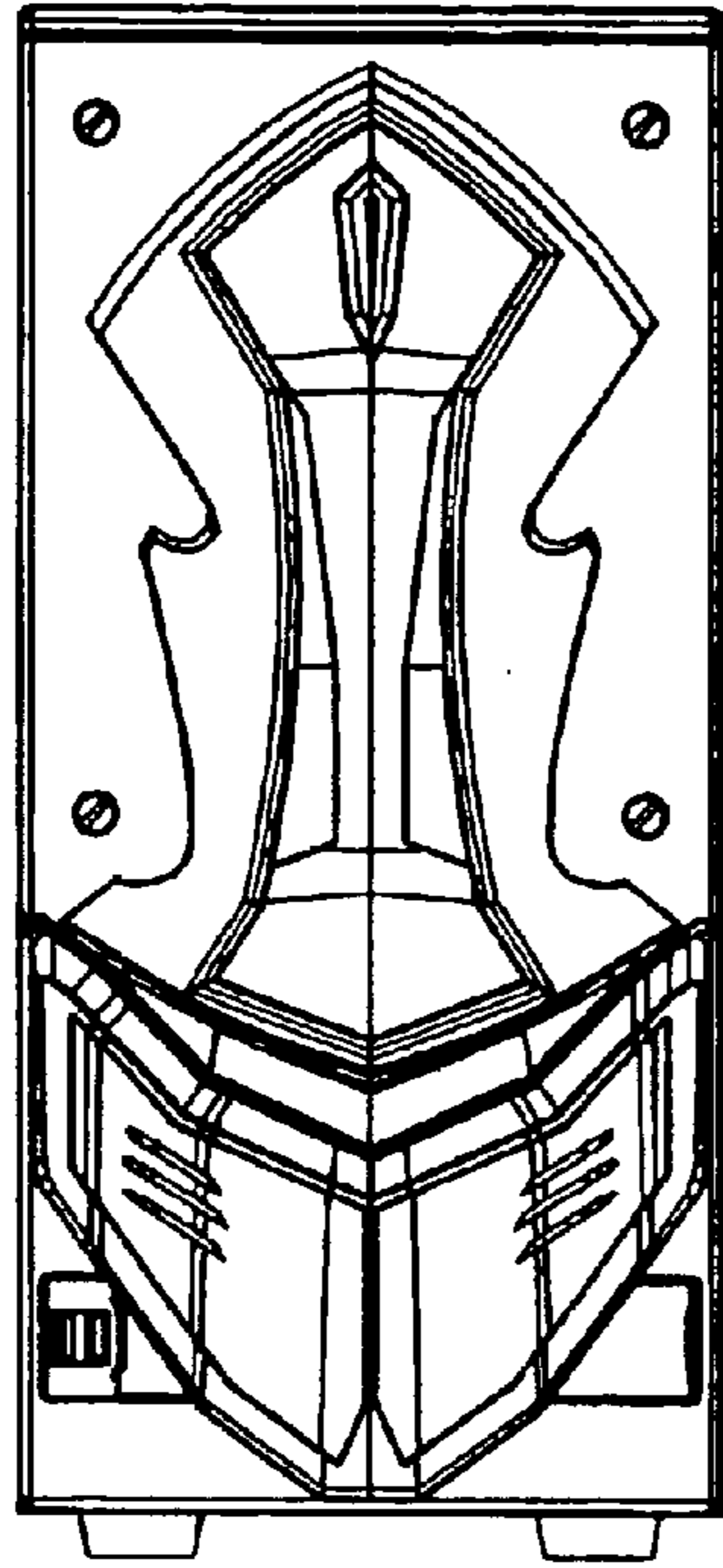


Fig. 2

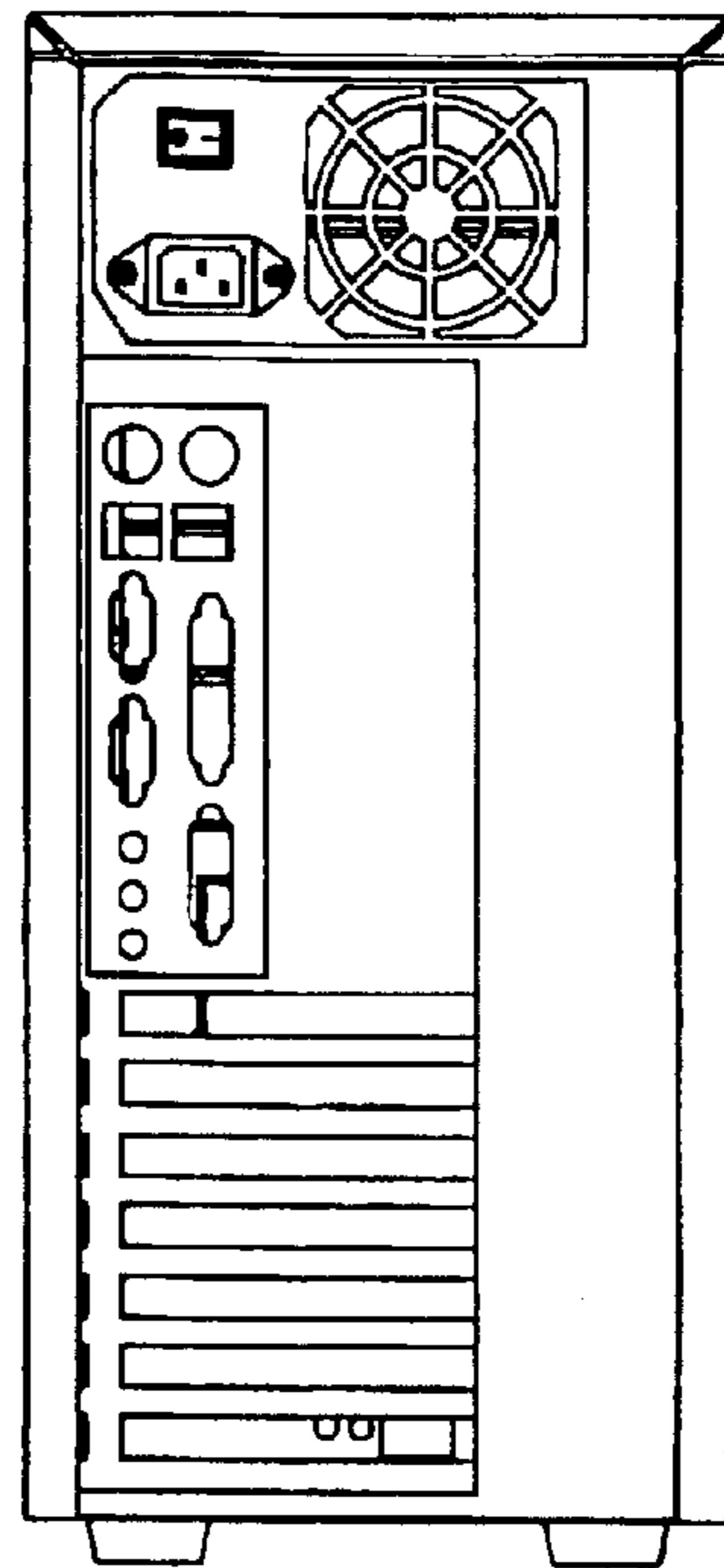


Fig. 3

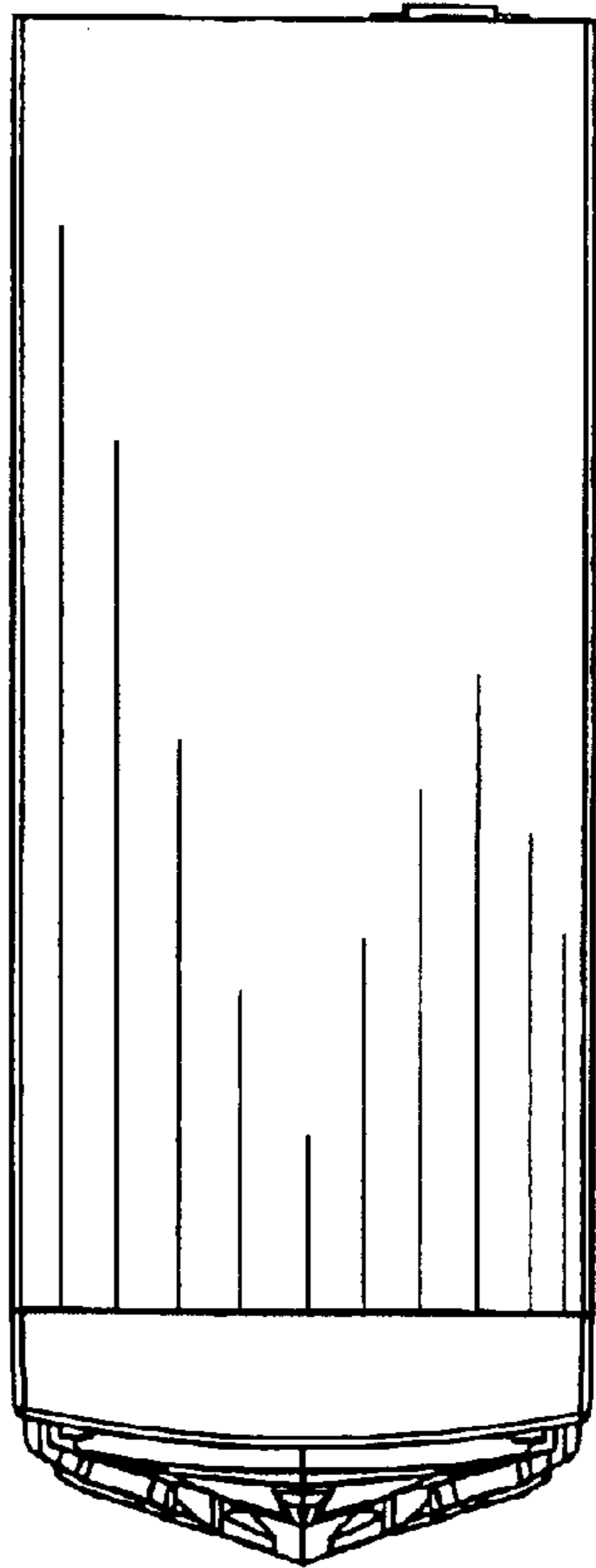


Fig. 6

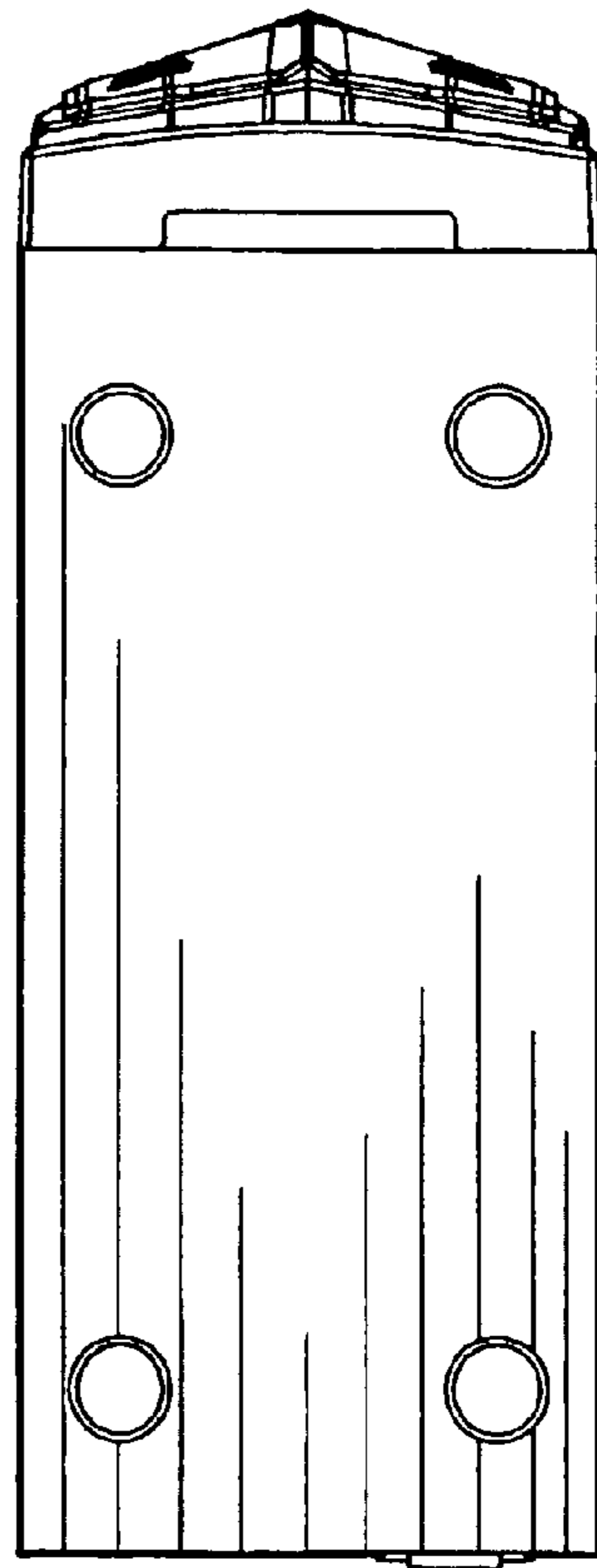


Fig. 7



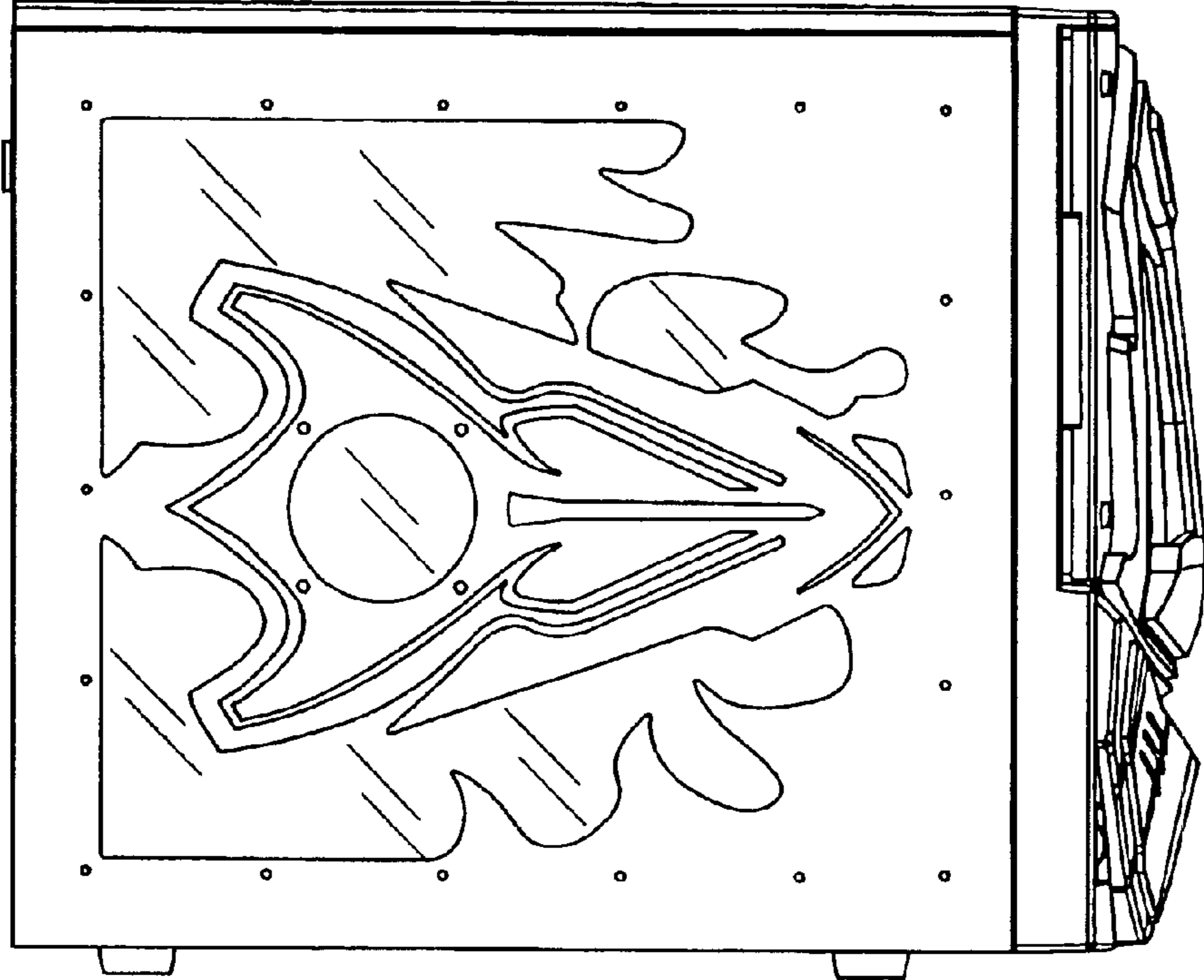


Fig. 4

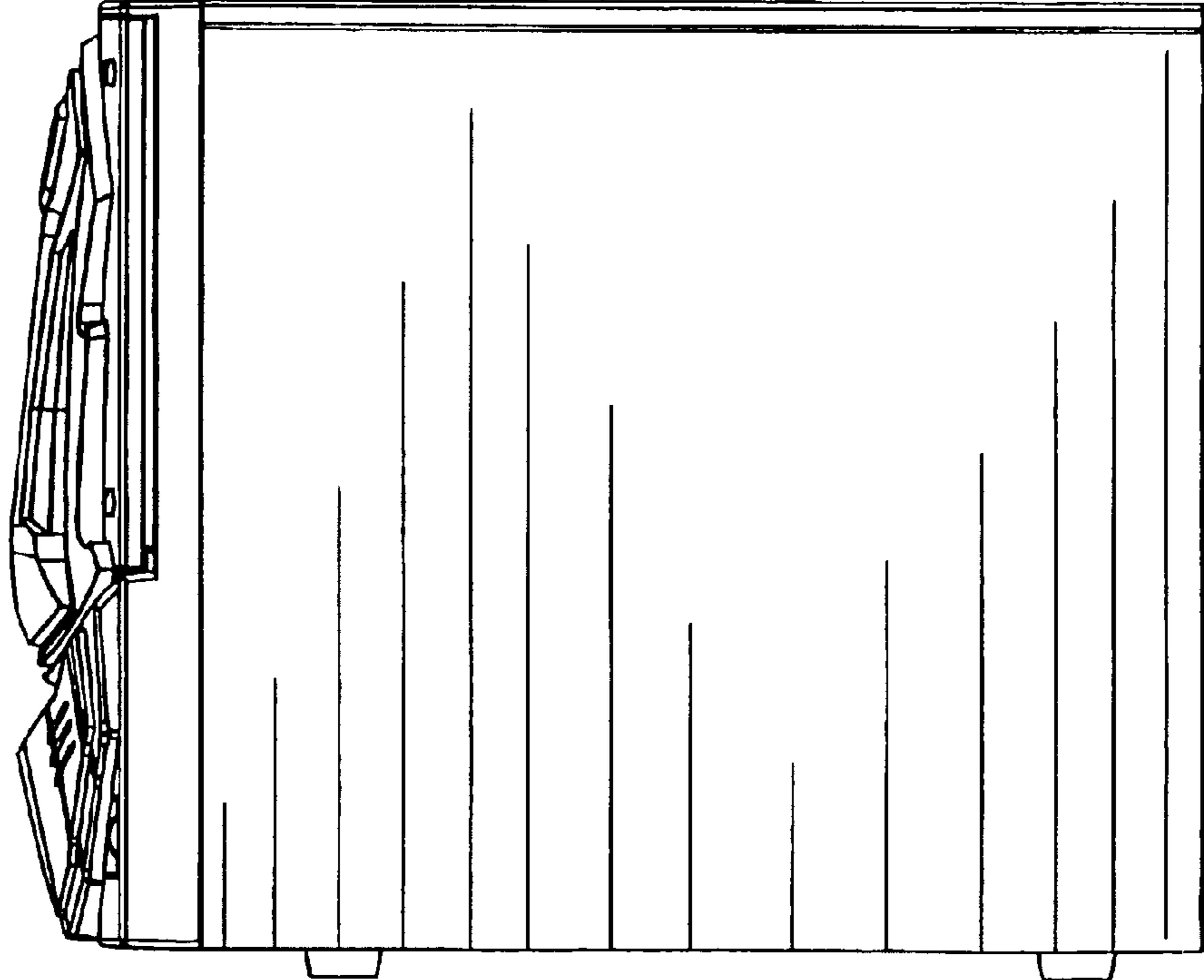


Fig. 5

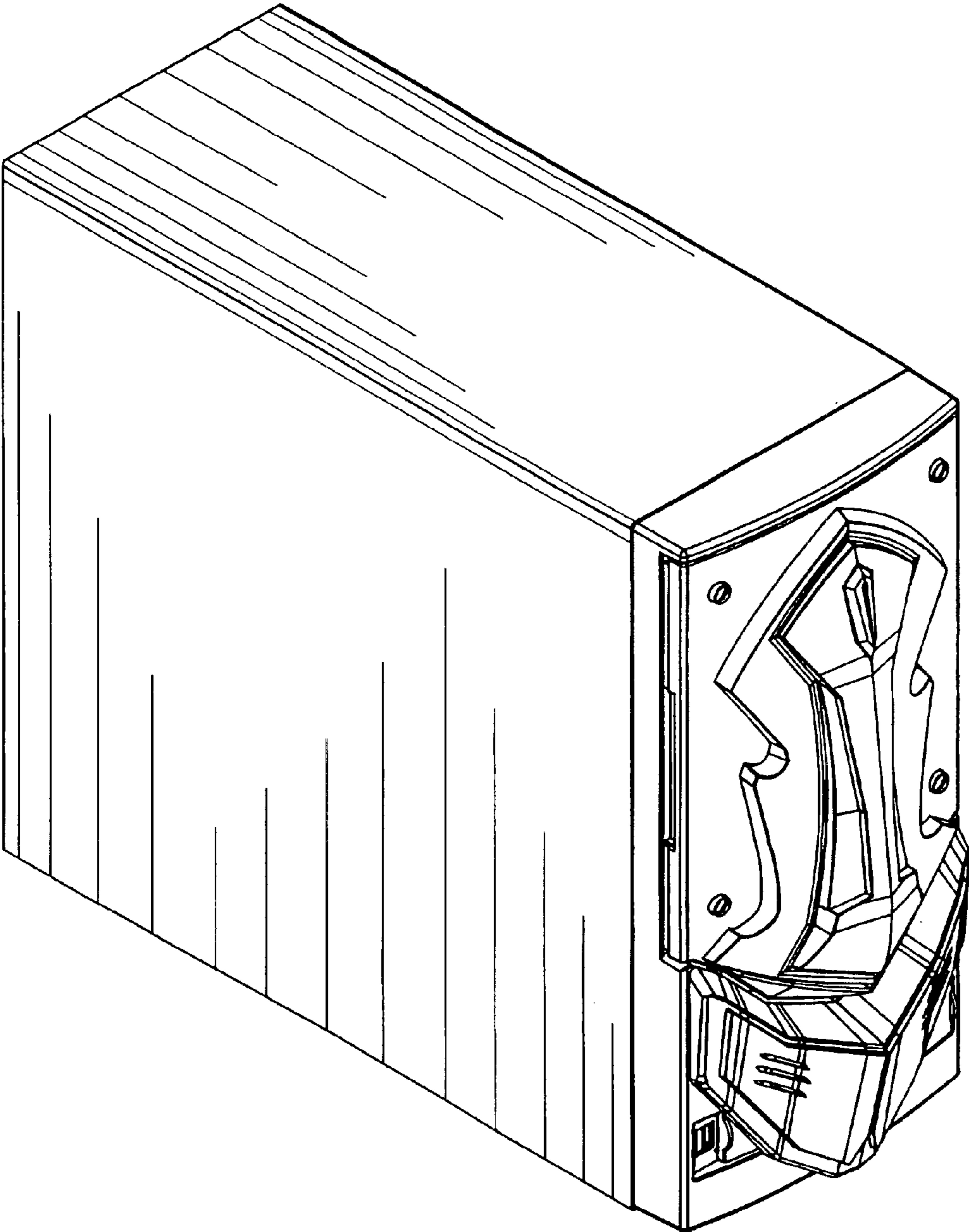


Fig. 8