



US00D495697S1

(12) **United States Design Patent**
Xiao et al.

(10) **Patent No.:** **US D495,697 S**
(45) **Date of Patent:** **** Sep. 7, 2004**

(54) **COMPUTER ENCLOSURE**

D466,893 S * 12/2002 Liu et al. D14/349

(75) Inventors: **Xin-Jian Xiao**, Shenzhen (CN);
Chun-Chi Liang, Tu-Chen (TW);
Yun-Dong Xu, Shenzhen (CN); **Tao Su**, Shenzhen (CN)

* cited by examiner

Primary Examiner—Freda S. Nunn
(74) *Attorney, Agent, or Firm*—Wei Te Chung

(73) Assignee: **Hon Hai Precision Ind. Co., Ltd.**,
Taipei Hsien (TW)

(57) **CLAIM**

(**) Term: **14 Years**

The ornamental design for a computer enclosure, as shown and described.

(21) Appl. No.: **29/196,594**

DESCRIPTION

(22) Filed: **Dec. 31, 2003**

(30) **Foreign Application Priority Data**

Oct. 10, 2003 (CN) 0030114736 A

(51) **LOC (7) Cl.** **14-02**

(52) **U.S. Cl.** **D14/353**

(58) **Field of Search** D14/349, 353-356;
D13/162, 184, 199; 312/223.1-223.3; 360/99.01-99.12;
361/690-696; 369/34.01, 36.01

FIG. 1 is a perspective view of a computer enclosure of our new design;

FIG. 2 is a front elevational view thereof;

FIG. 3 is a rear elevational view thereof;

FIG. 4 is a left side elevational view thereof;

FIG. 5 is a right side elevational view thereof;

FIG. 6 is a top plan view thereof; and,

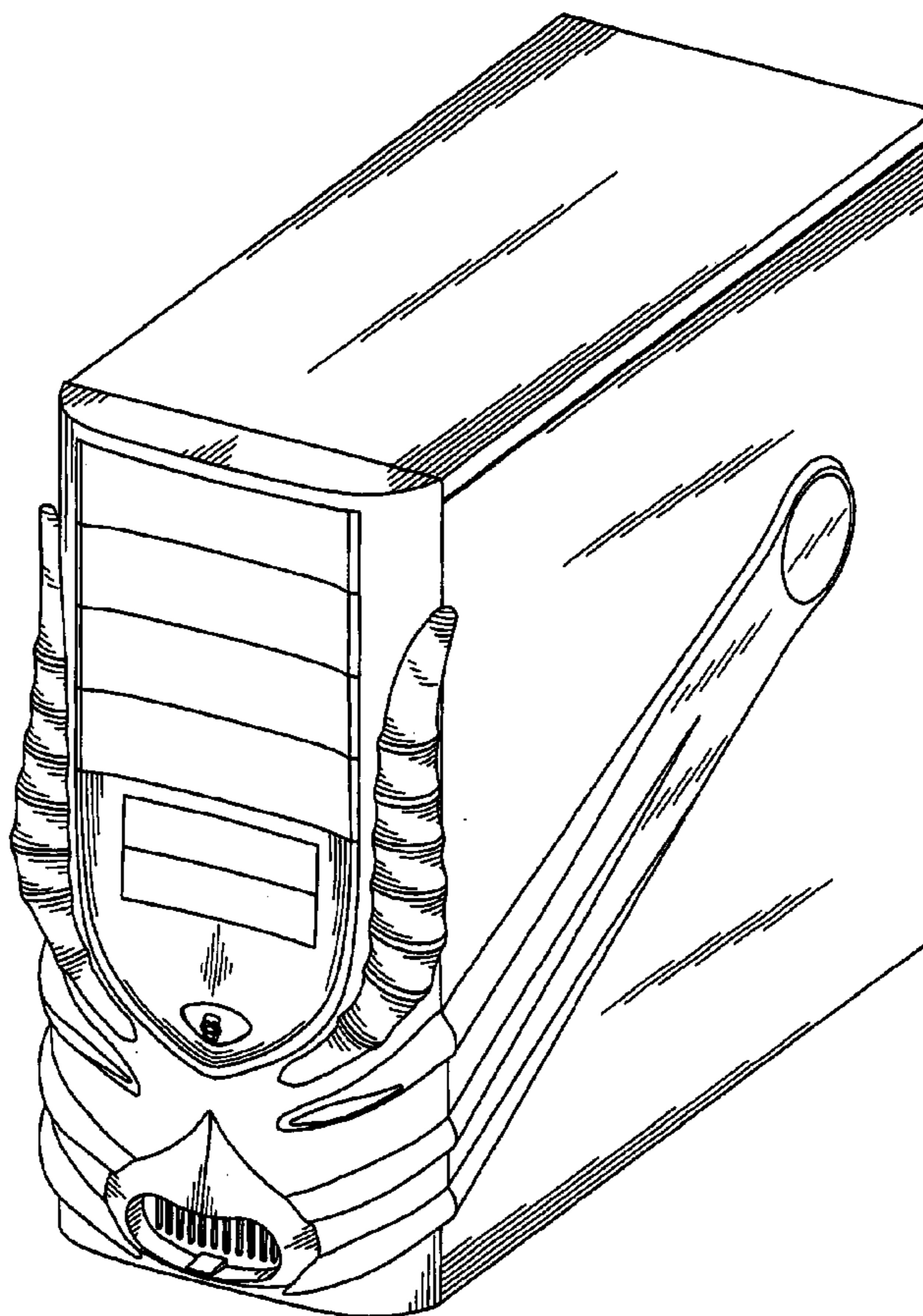
FIG. 7 is a bottom plan view thereof.

(56) **References Cited**

U.S. PATENT DOCUMENTS

D434,035 S * 11/2000 Jean et al. D14/349

1 Claim, 7 Drawing Sheets



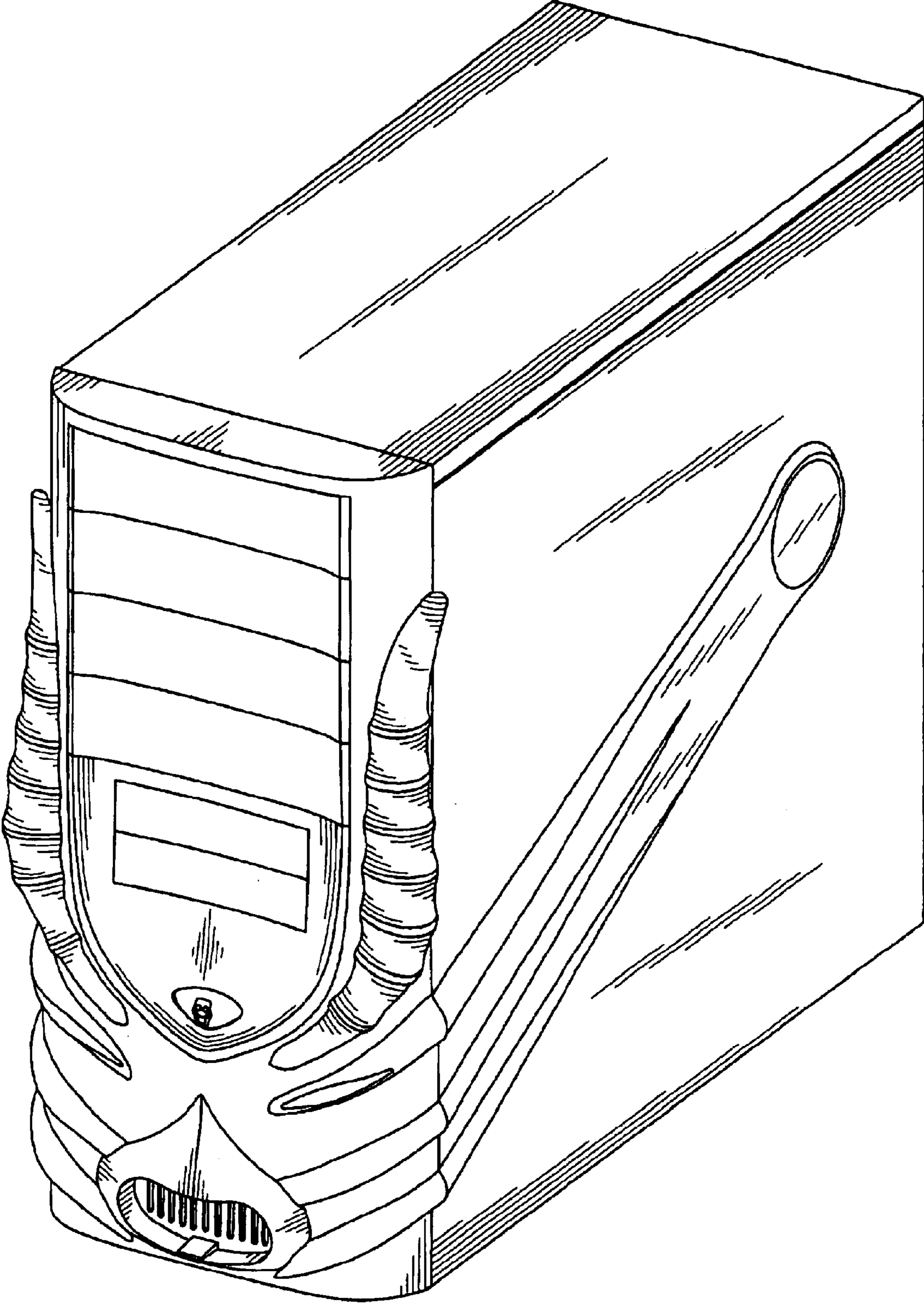


FIG. 1

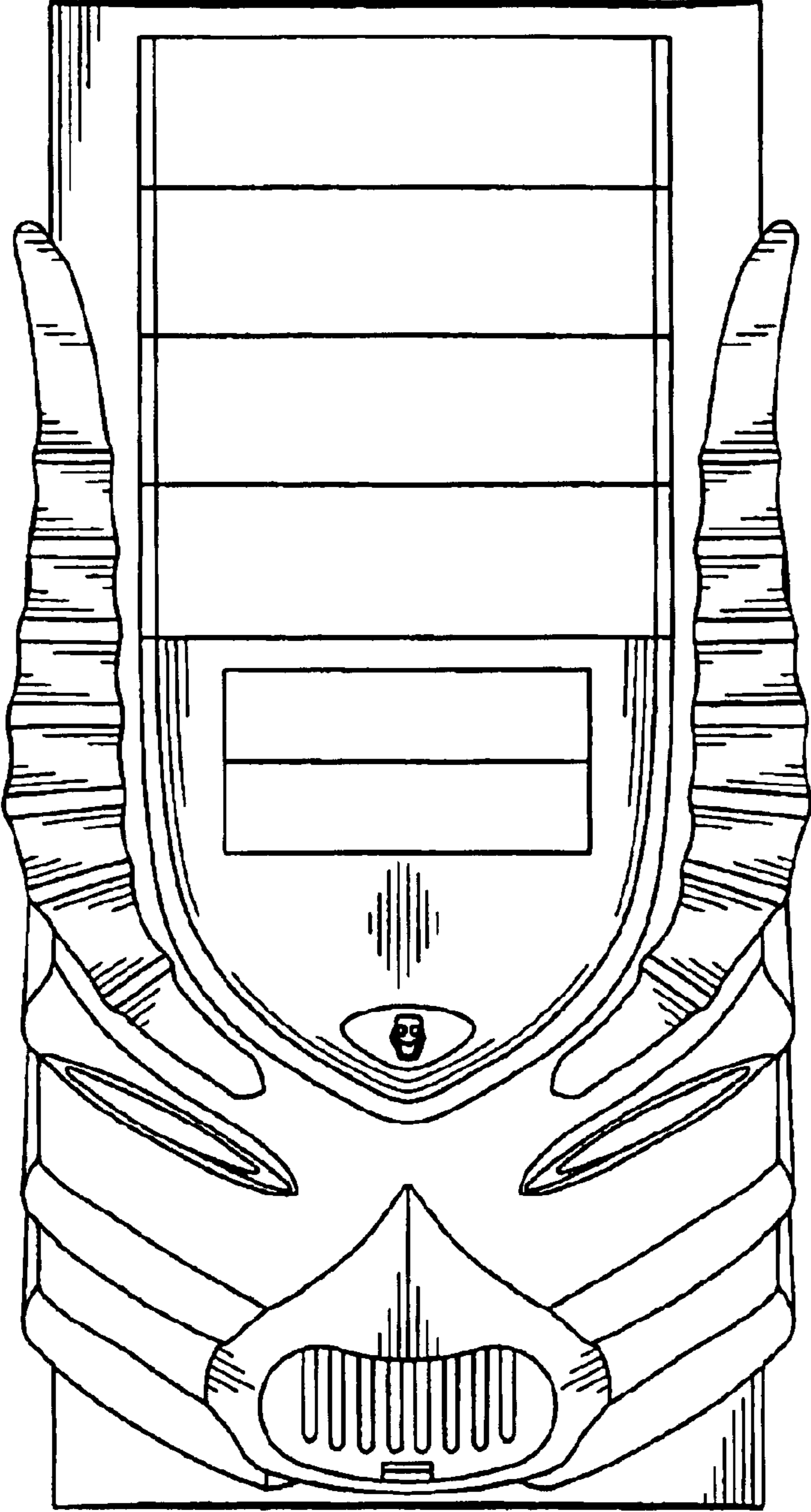


FIG. 2

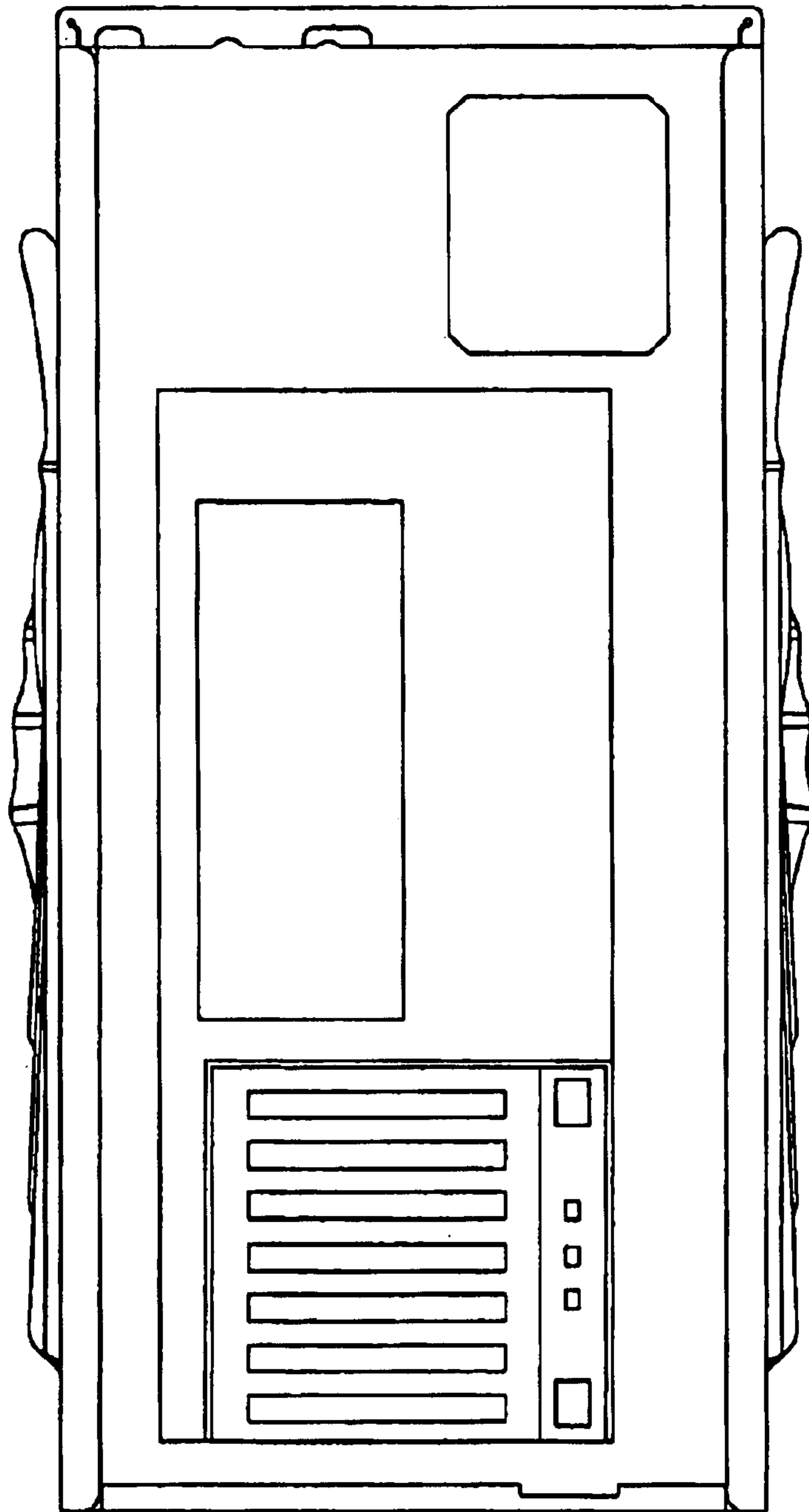


FIG. 3

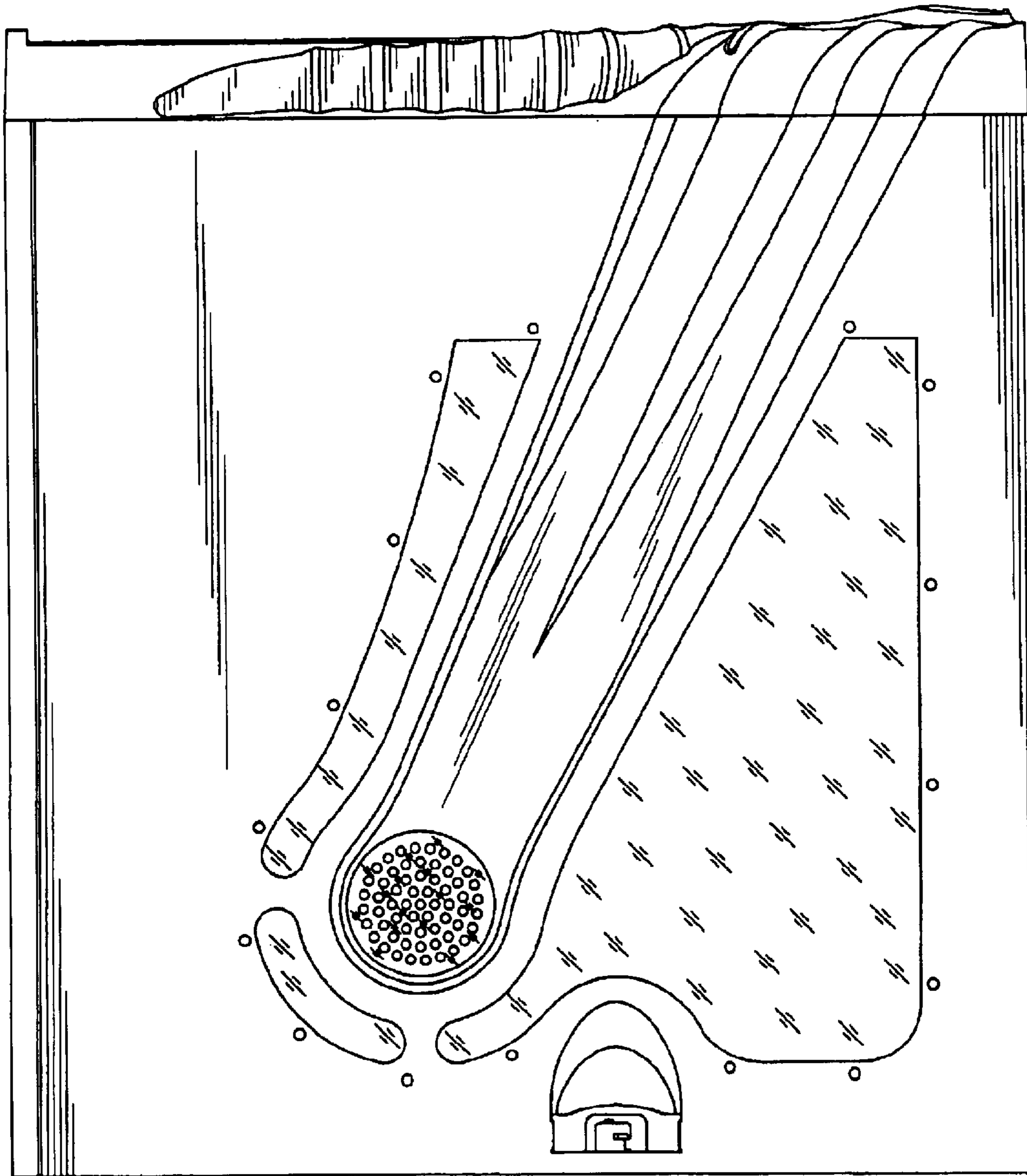


FIG. 4

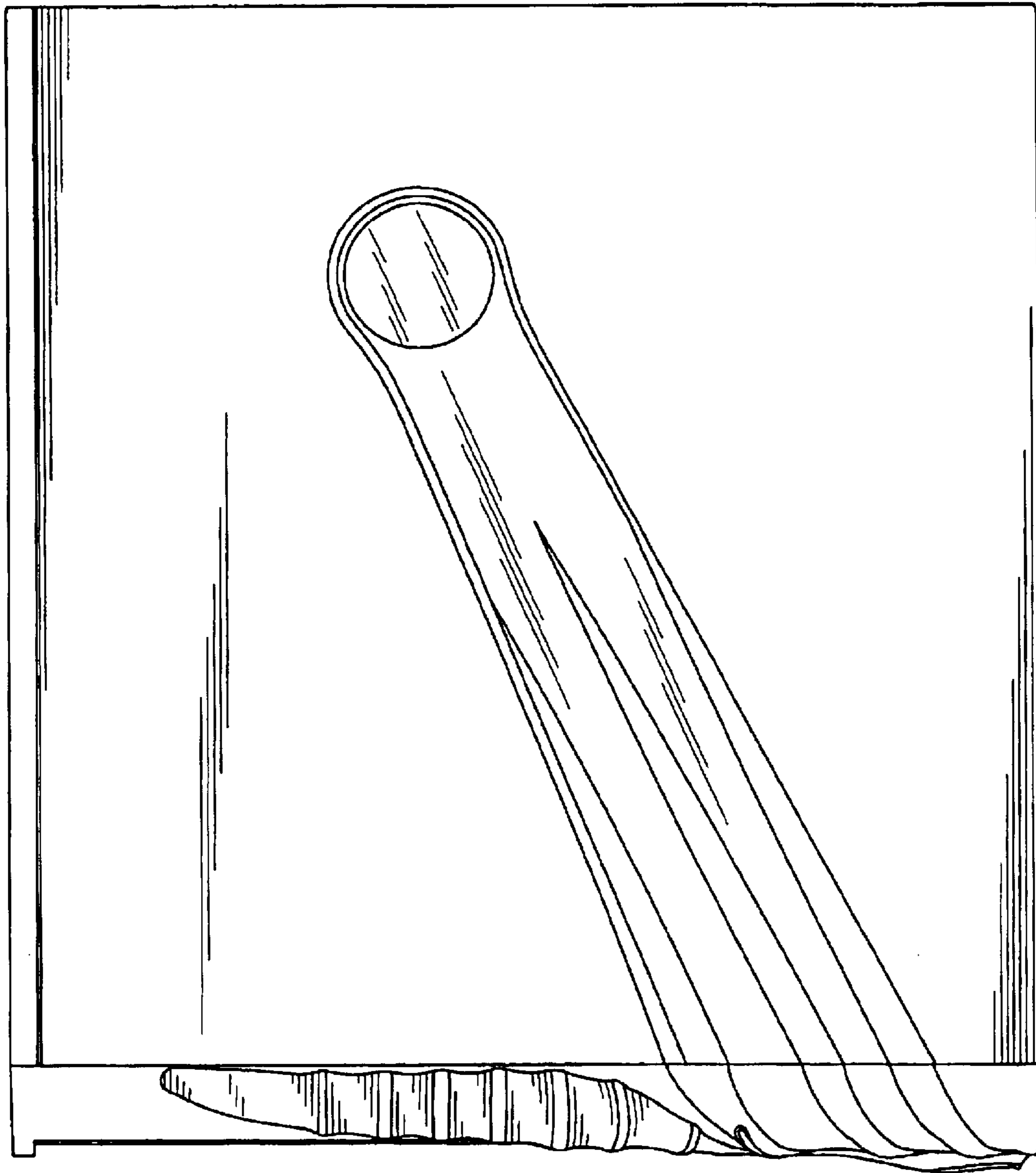


FIG. 5

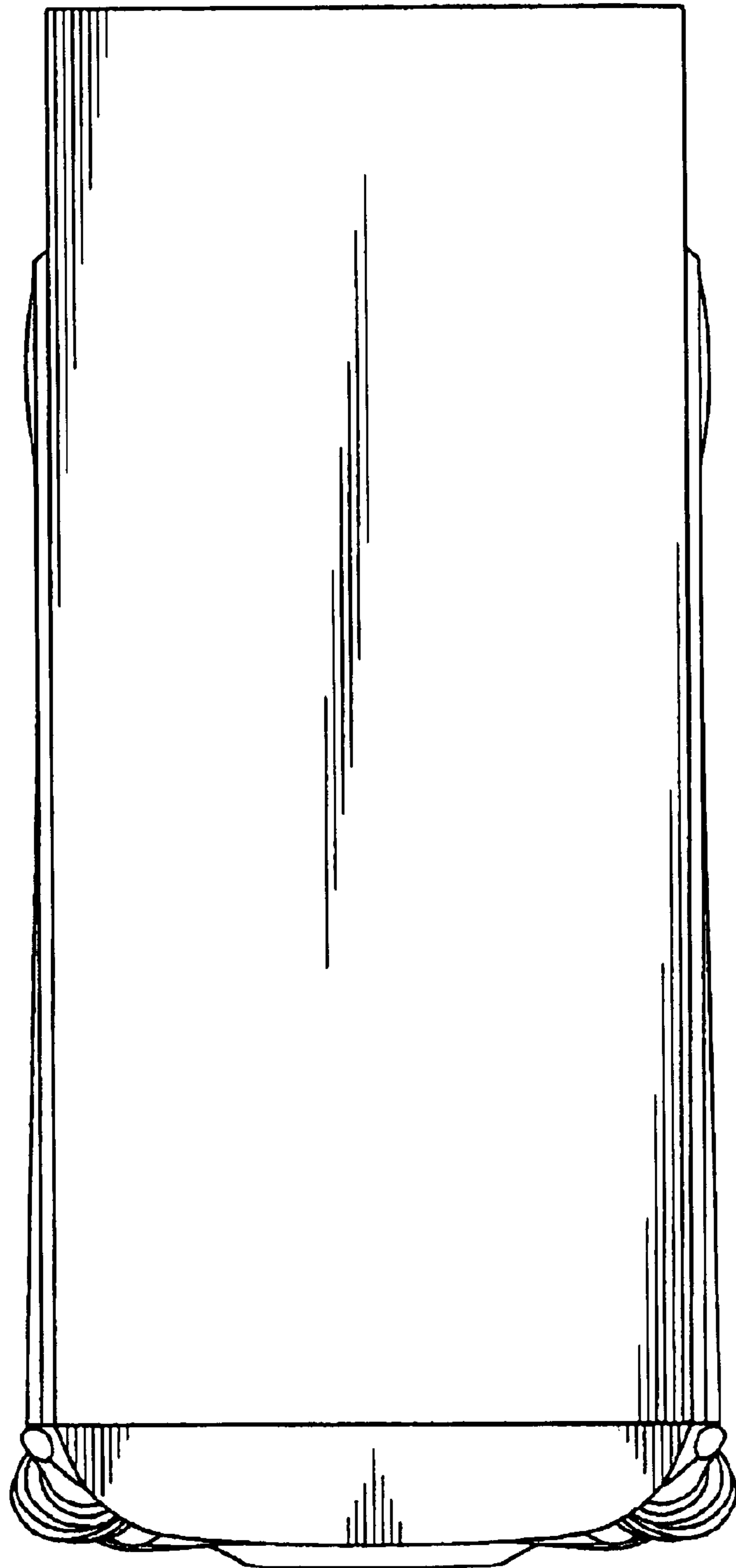


FIG. 6

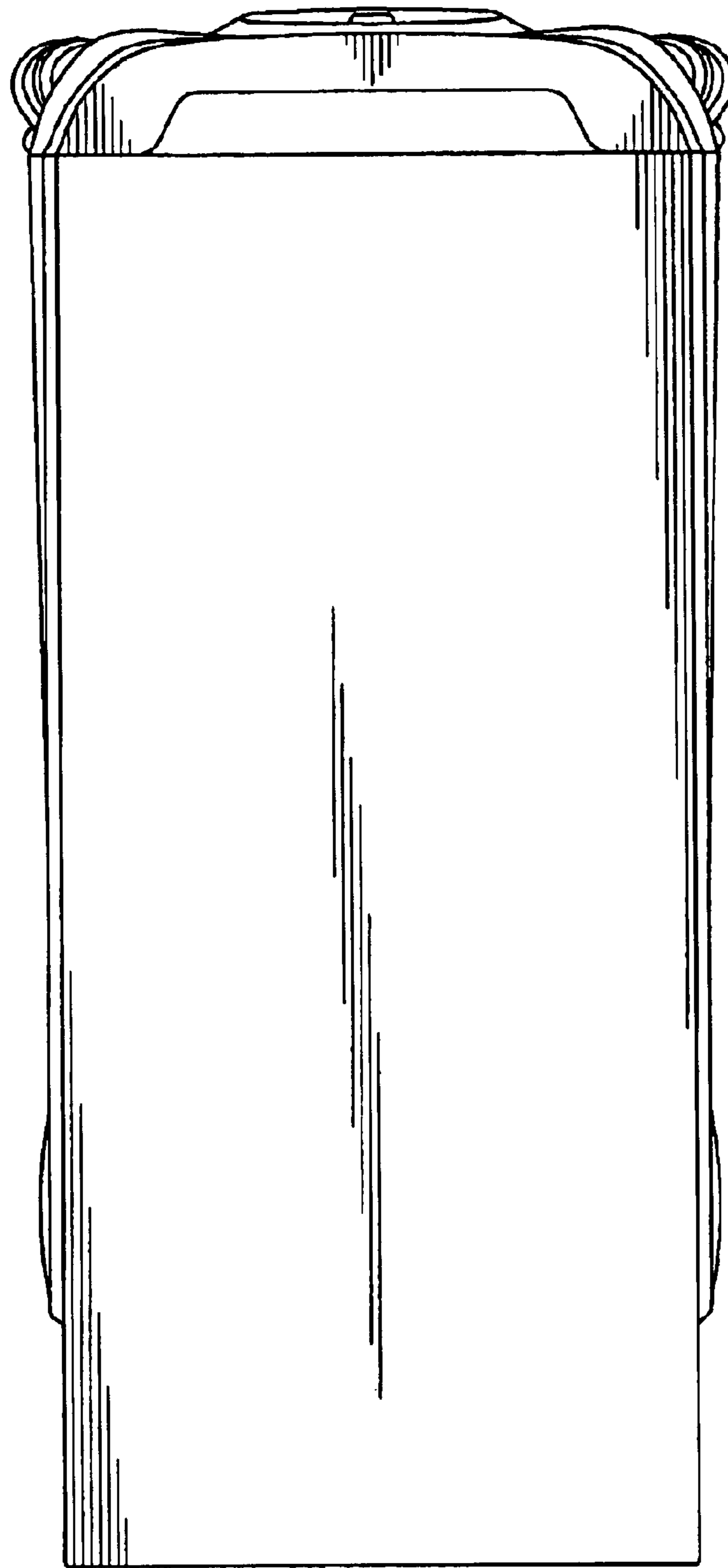


FIG. 7