

US00D495696S1

(12) **United States Design Patent**
Peng et al.

(10) **Patent No.:** **US D495,696 S**

(45) **Date of Patent:** **** Sep. 7, 2004**

(54) **DESKTOP PERSONAL COMPUTER**

(75) Inventors: **Hsueh-Chih Peng**, Taipei Hsien (TW);
Shih-Chieh Kuo, Taipei Hsien (TW)

(73) Assignee: **Acer Incorporated**, Taipei Hsien (TW)

(**) Term: **14 Years**

(21) Appl. No.: **29/194,703**

(22) Filed: **Dec. 1, 2003**

(30) **Foreign Application Priority Data**

Jun. 3, 2003 (TW) 92303461

(51) **LOC (7) Cl.** **14-02**

(52) **U.S. Cl.** **D14/349**

(58) **Field of Search** D14/349, 351-356;
D13/162, 184, 199; 312/223.1, 223.3; 360/99.01-99.12;
361/680-686, 690-696; 369/34.01, 36.01

(56) **References Cited**

U.S. PATENT DOCUMENTS

D433,681 S * 11/2000 Jean et al. D14/349

D434,035 S * 11/2000 Jean et al. D14/349
D466,506 S * 12/2002 Matsuoka D14/349
6,549,397 B1 * 4/2003 Diaz et al. 361/683

* cited by examiner

Primary Examiner—Freda S. Nunn

(74) *Attorney, Agent, or Firm*—Michael D. Bednarek;
Shaw Pittman LLP

(57) **CLAIM**

The ornamental design for a desktop personal computer, as substantially shown and described.

DESCRIPTION

FIG. 1 is a front perspective view of the desktop personal computer showing our new design.

FIG. 2 is a right side view of the desktop personal computer;

FIG. 3 is a top view of the desktop personal computer;

FIG. 4 is a front view of the desktop personal computer;

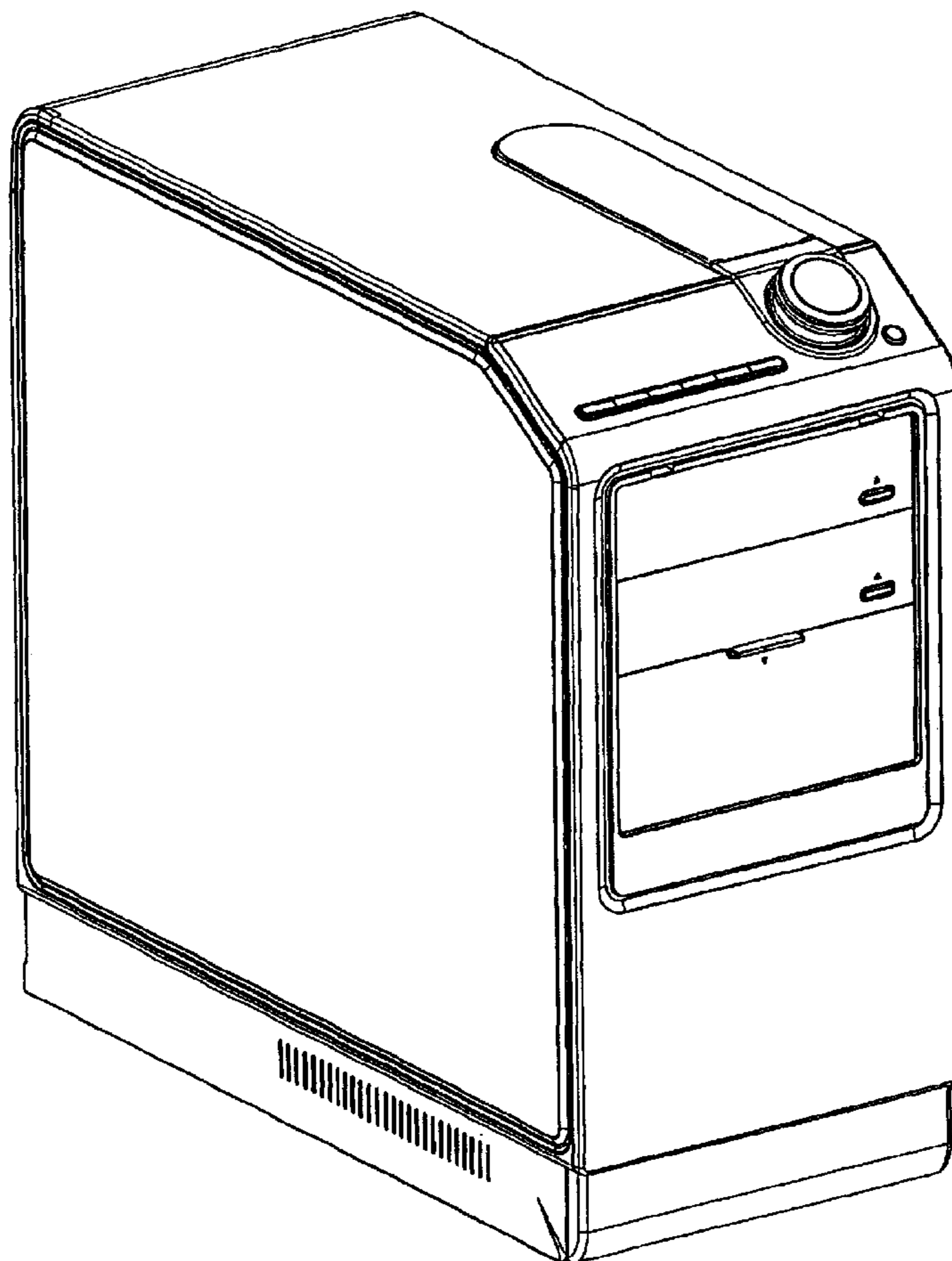
FIG. 5 is a bottom view the desktop personal computer;

FIG. 6 is a left side view of the desktop personal computer;

and,

FIG. 7 is a back view of the desktop personal computer.

1 Claim, 7 Drawing Sheets



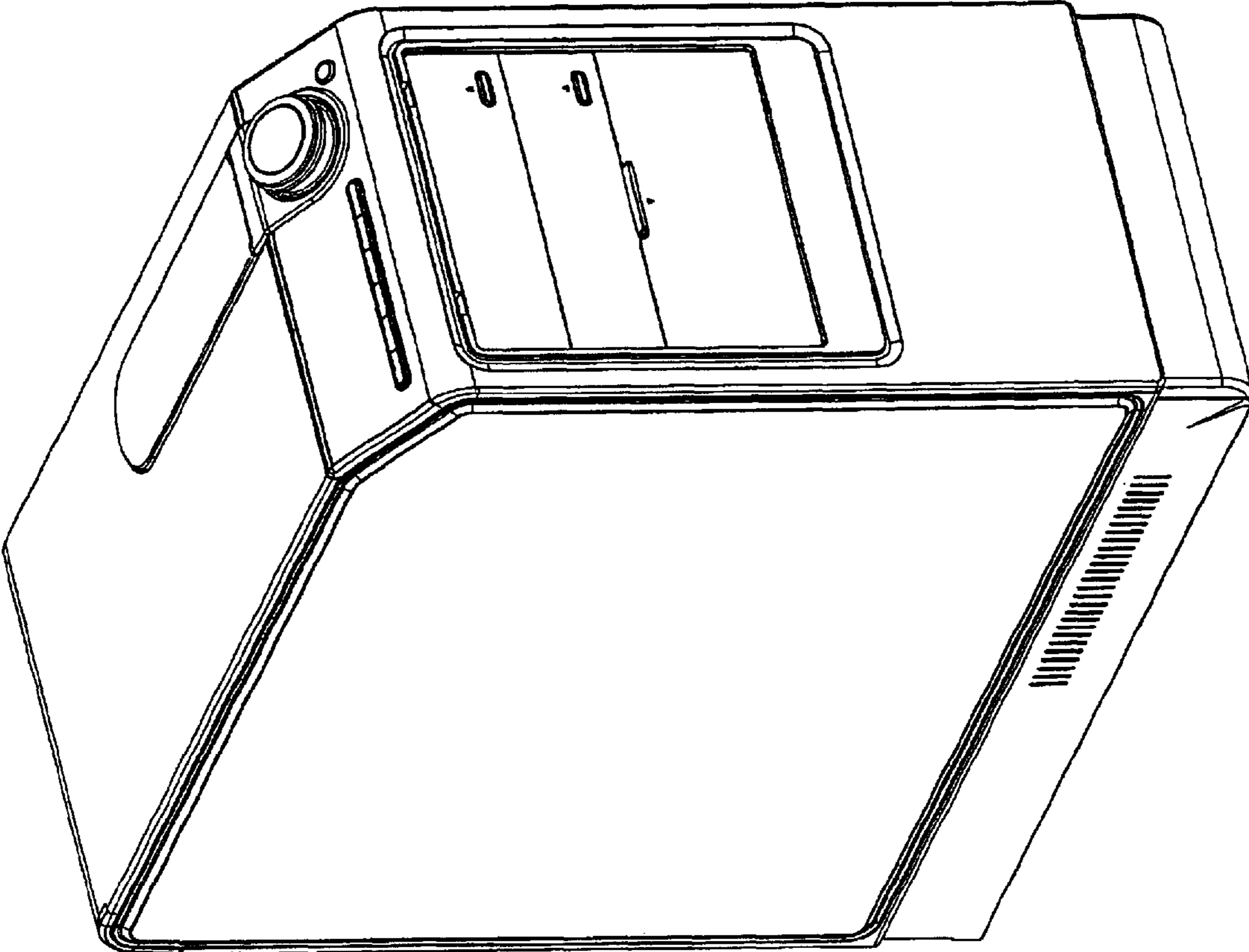


FIG. 1

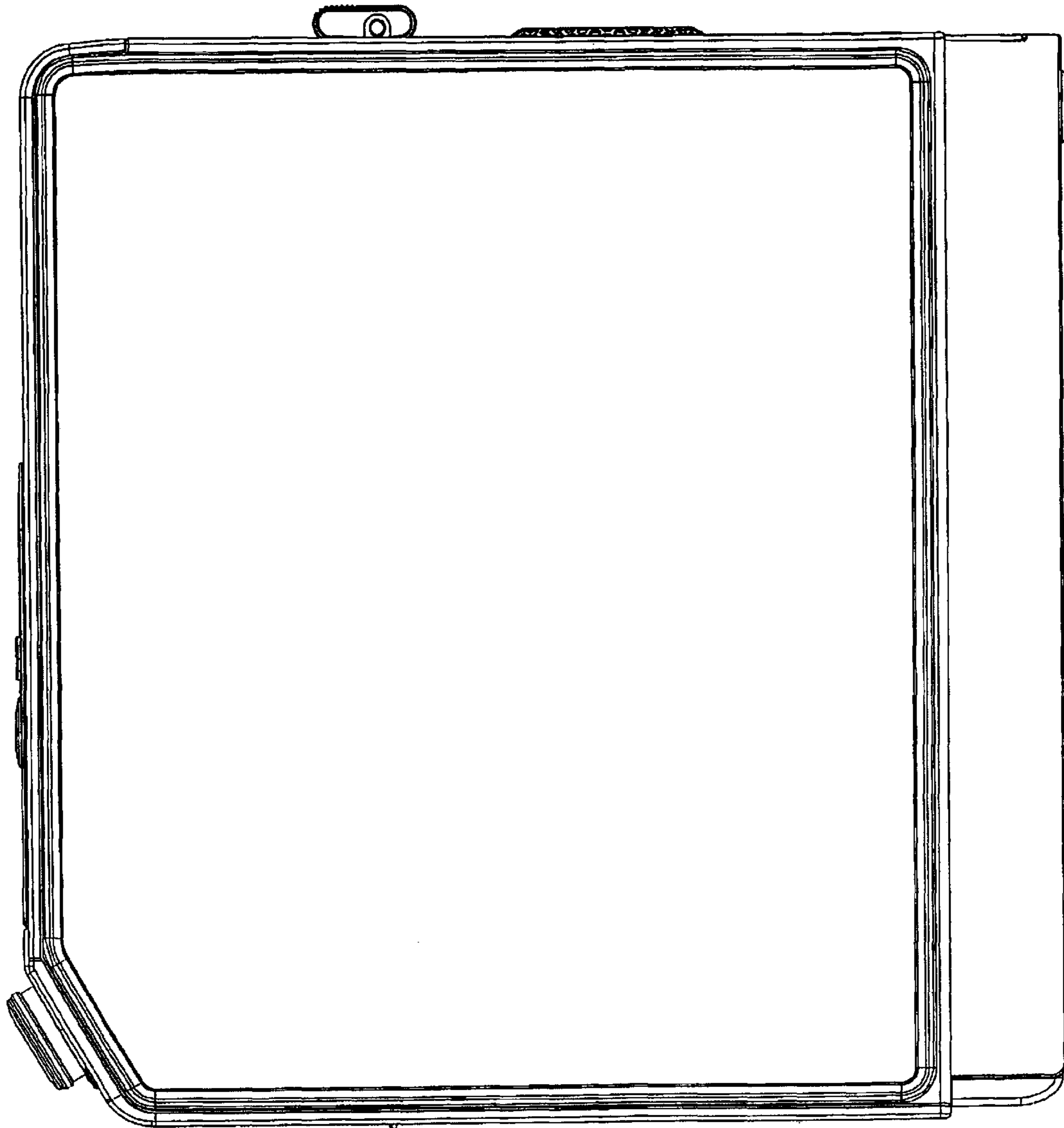


FIG. 2

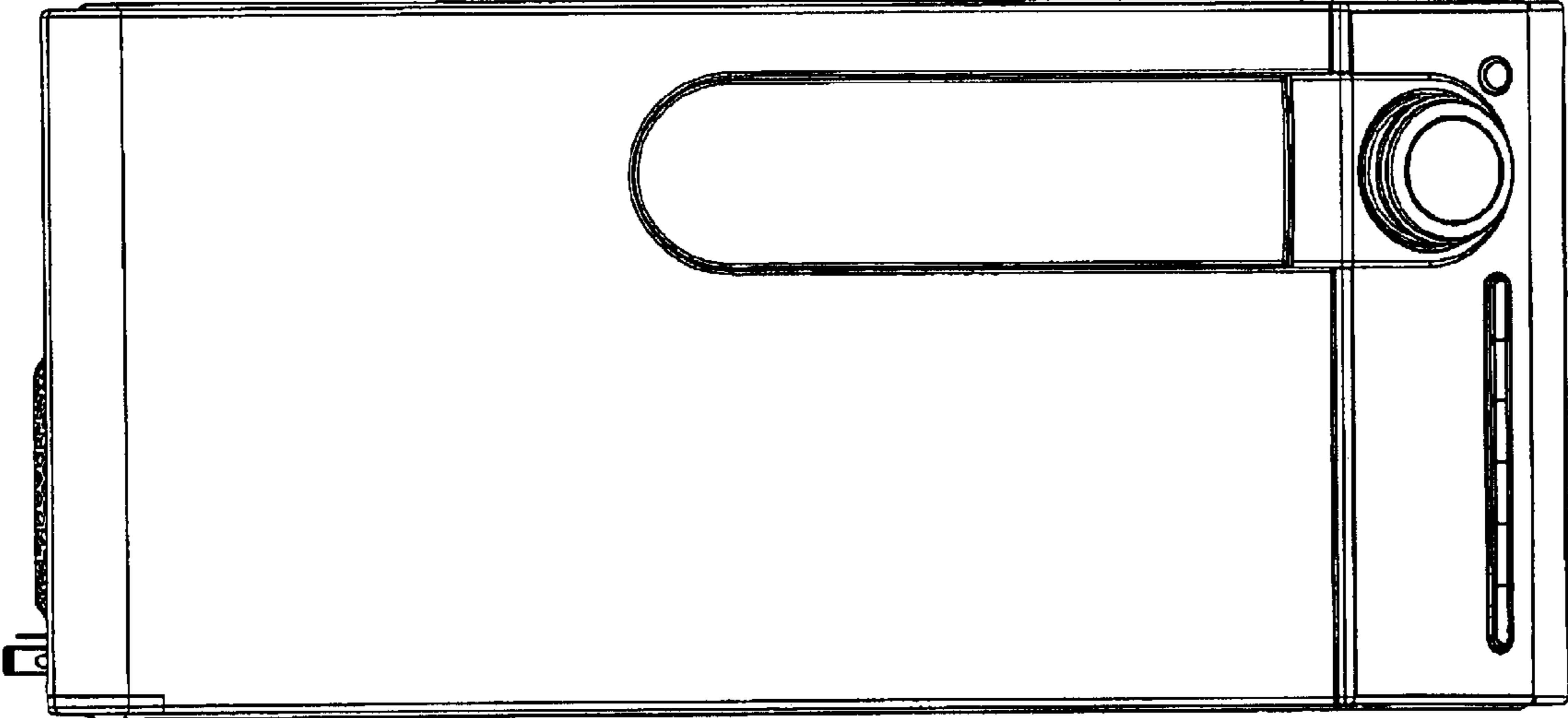


FIG. 3

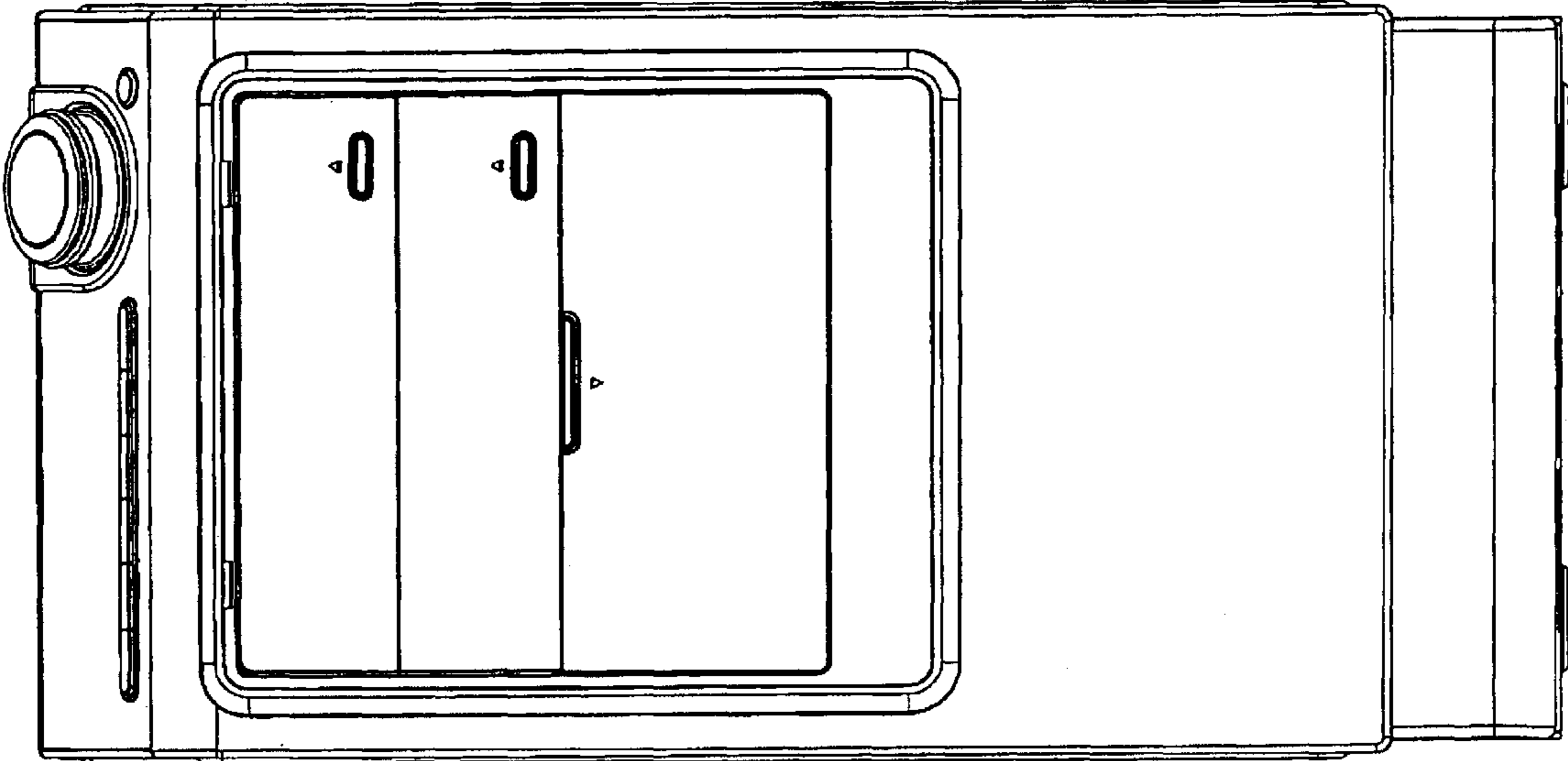


FIG. 4

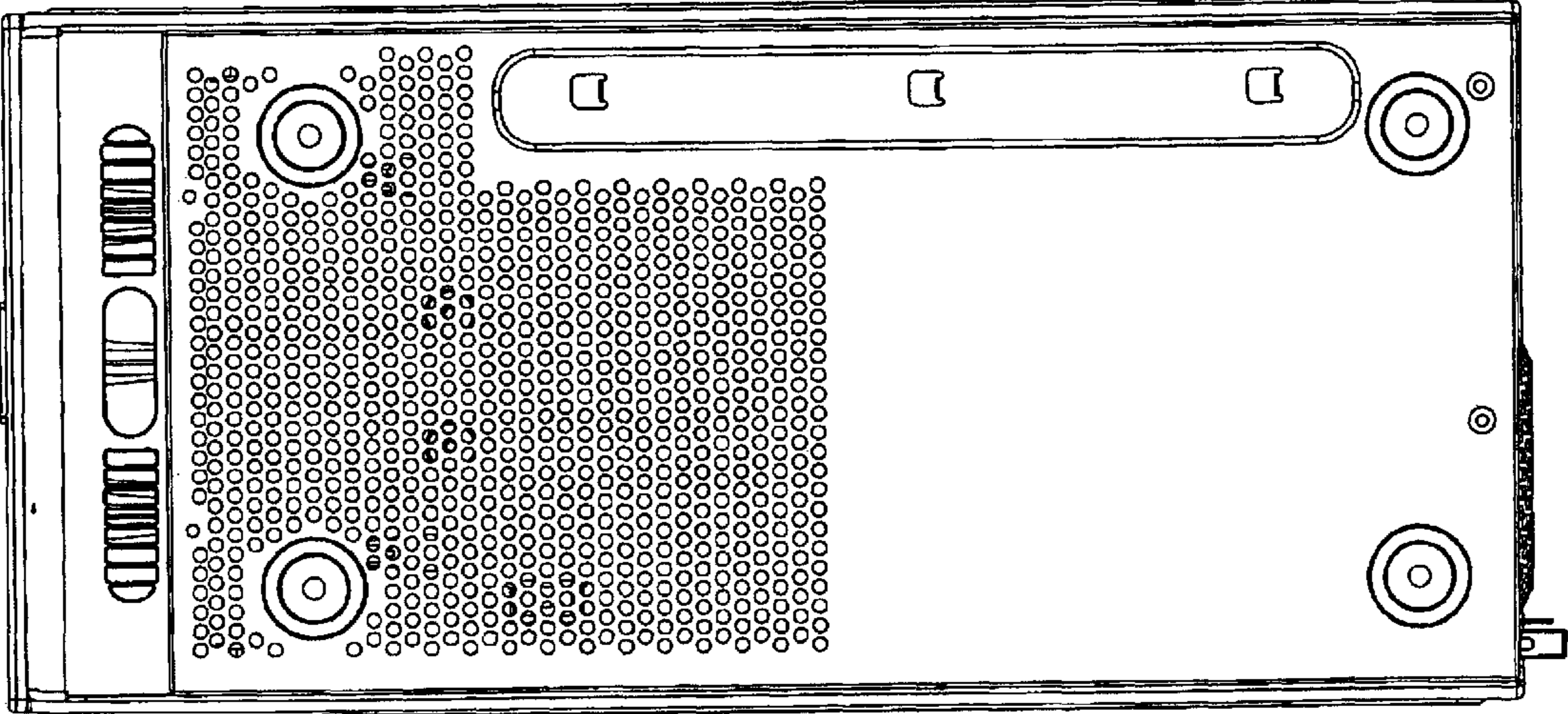


FIG. 5

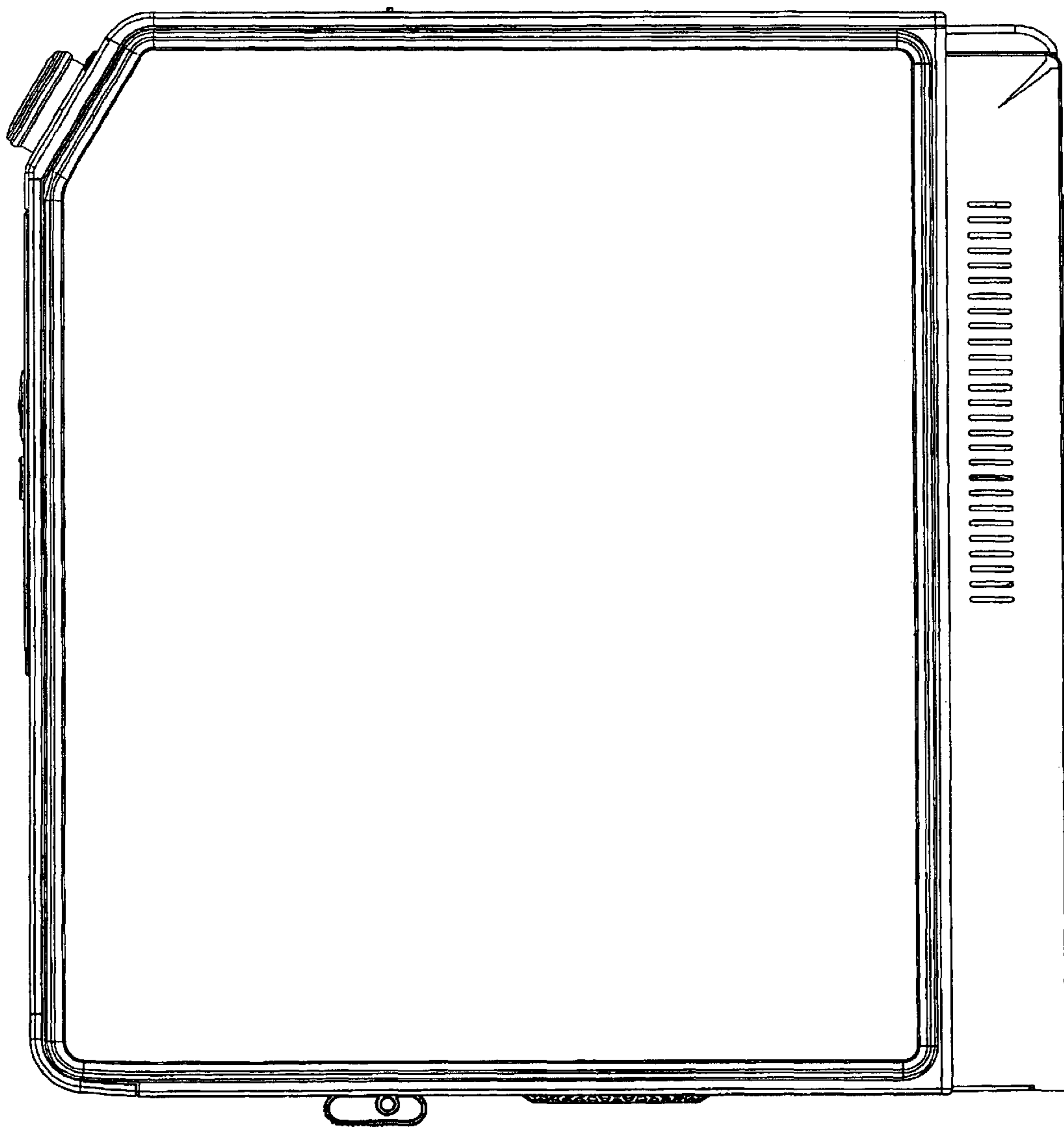


FIG. 6

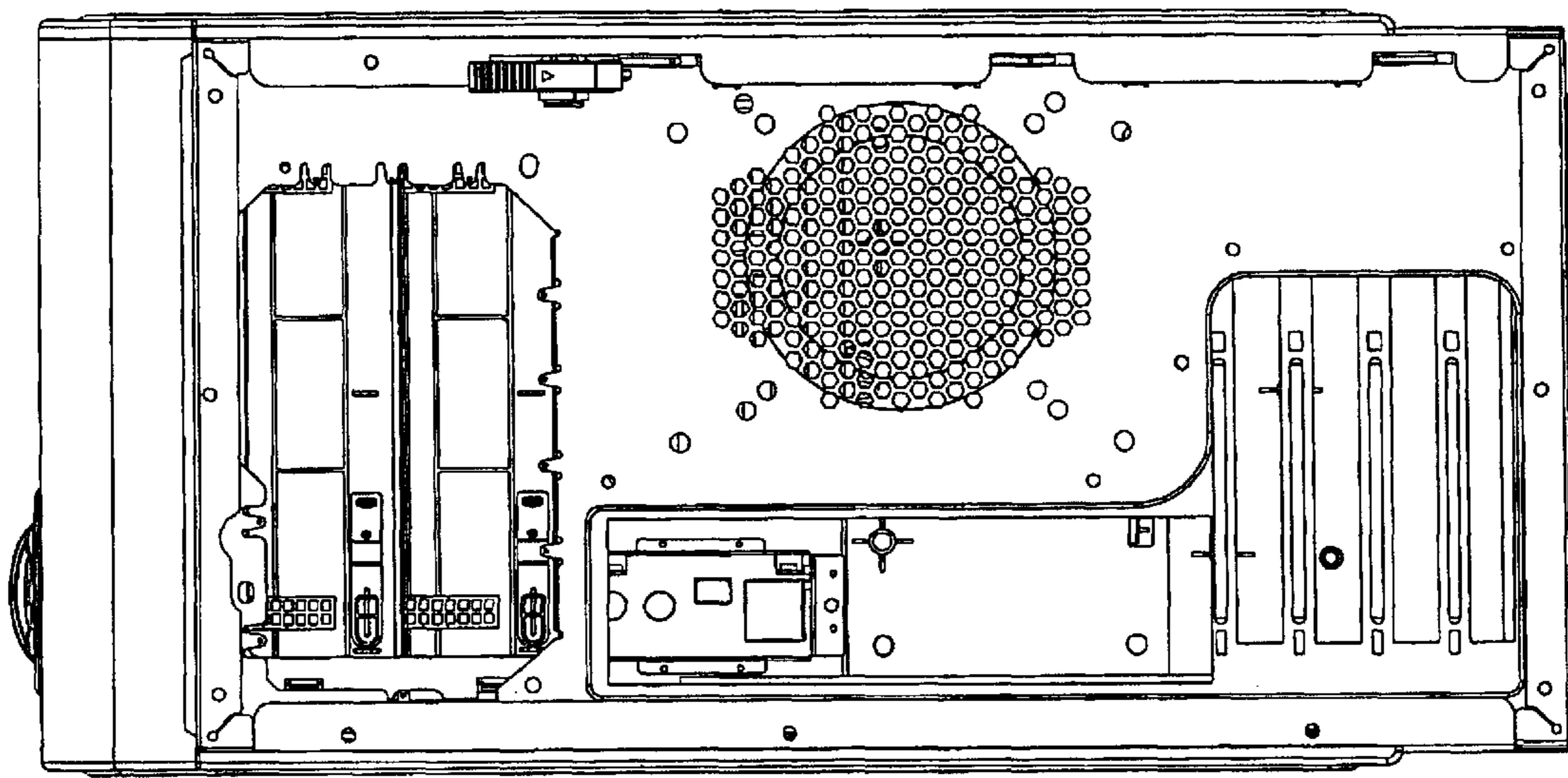


FIG. 7