

US00D495693S1

(12) **United States Design Patent**
Yonekawa et al.

(10) **Patent No.:** **US D495,693 S**
(45) **Date of Patent:** **** Sep. 7, 2004**

(54) **ELECTRONIC INFORMATION DISPLAYING DEVICE**

(75) Inventors: **Osamu Yonekawa**, Osaka (JP); **Kazuya Ohashi**, Shizuoka (JP); **Satoshi Yonai**, Kanagawa (JP); **Toshiro Iizuka**, Kanagawa (JP); **Yoshihiro Hayakawa**, Kanagawa (JP); **Kayoko Kawakami**, Tokyo (JP)

(73) Assignee: **Matsushita Electric Industrial Co., Ltd.**, Kadoma (JP)

(**) Term: **14 Years**

(21) Appl. No.: **29/173,012**

(22) Filed: **Dec. 19, 2002**

(51) **LOC (7) Cl.** **14-02**

(52) **U.S. Cl.** **D14/345**

(58) **Field of Search** D14/341-346;
D18/1, 2, 7; D19/59, 60; 178/18.03; 345/104,
156, 168, 173; 349/12; 361/680-686; 434/201;
708/105

(56) **References Cited**

U.S. PATENT DOCUMENTS

4,340,375 A * 7/1982 Sakaue et al. 434/201
D378,686 S * 4/1997 Proctor et al. D19/60

D385,299 S * 10/1997 Adams D14/342
D391,987 S * 3/1998 Jambhekar et al. D14/345
D402,310 S * 12/1998 Hendricks D14/345
5,898,600 A * 4/1999 Isashi 708/105
D442,953 S * 5/2001 Lassen D14/345
D445,787 S * 7/2001 Francis D14/345

* cited by examiner

Primary Examiner—Freda S. Nunn

(74) *Attorney, Agent, or Firm*—Christensen O'Connor Johnson Kindness PLLC

(57) **CLAIM**

The ornamental design for an electronic information displaying device, as shown and described.

DESCRIPTION

FIG. 1 is a perspective view of the top, front and right side of an electronic information displaying device showing our new design;

FIG. 2 is a front view thereof;

FIG. 3 is a rear view thereof;

FIG. 4 is a right side view thereof;

FIG. 5 is a left side view thereof;

FIG. 6 is a top plan view thereof;

FIG. 7 is a bottom view thereof; and,

FIG. 8 is a perspective view thereof in the closed condition.

1 Claim, 6 Drawing Sheets

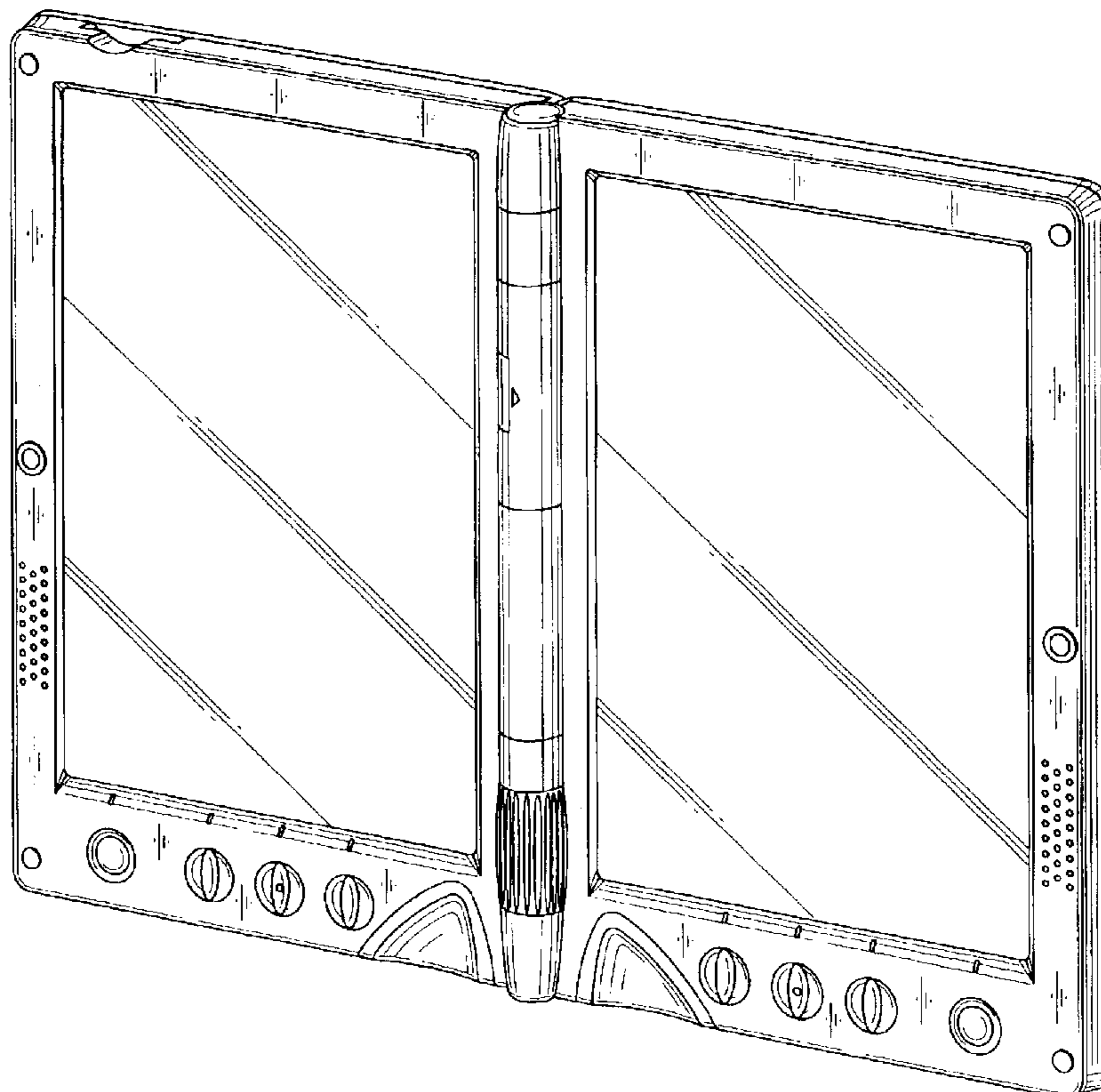


FIG. 1

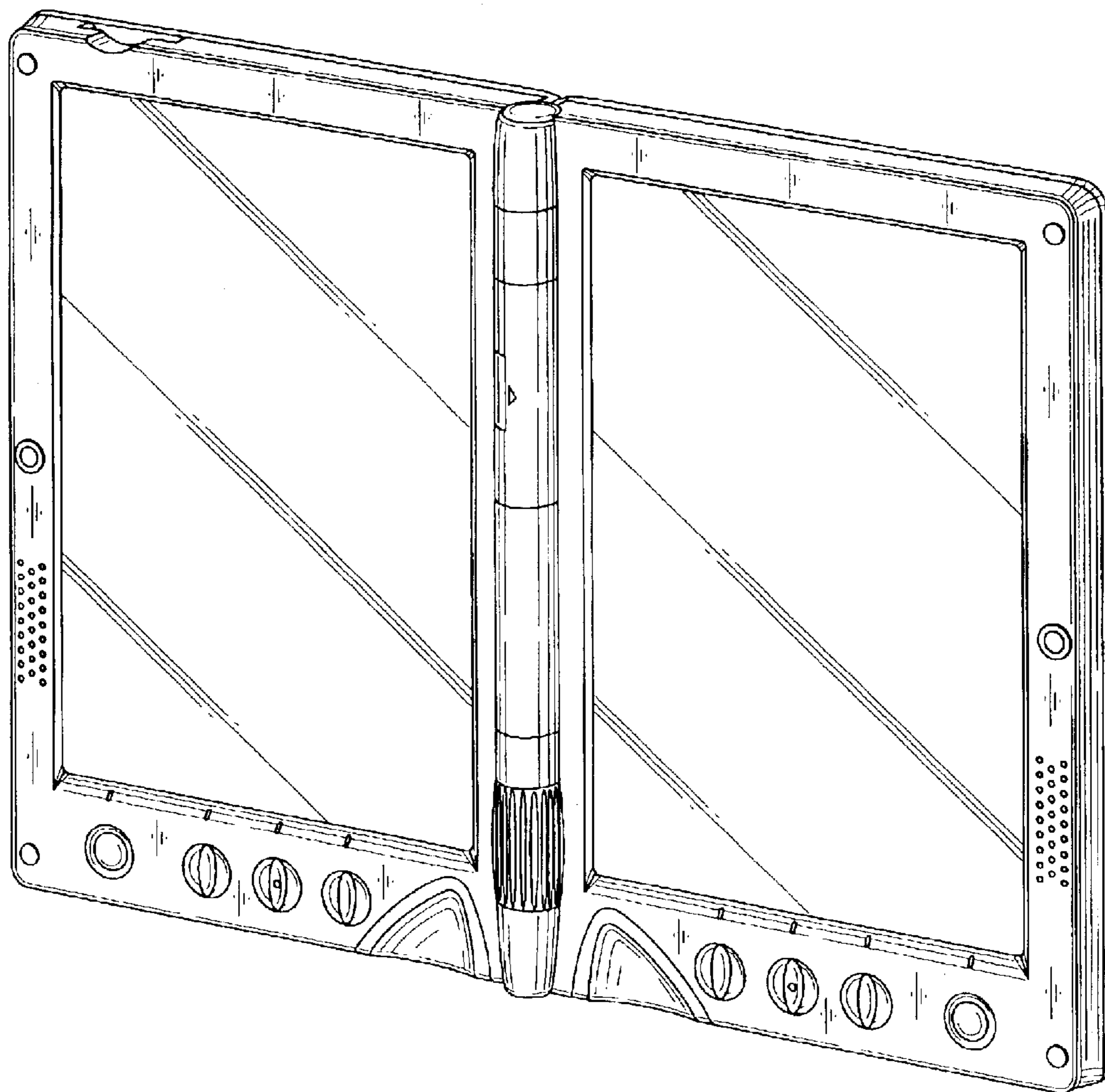


FIG. 2

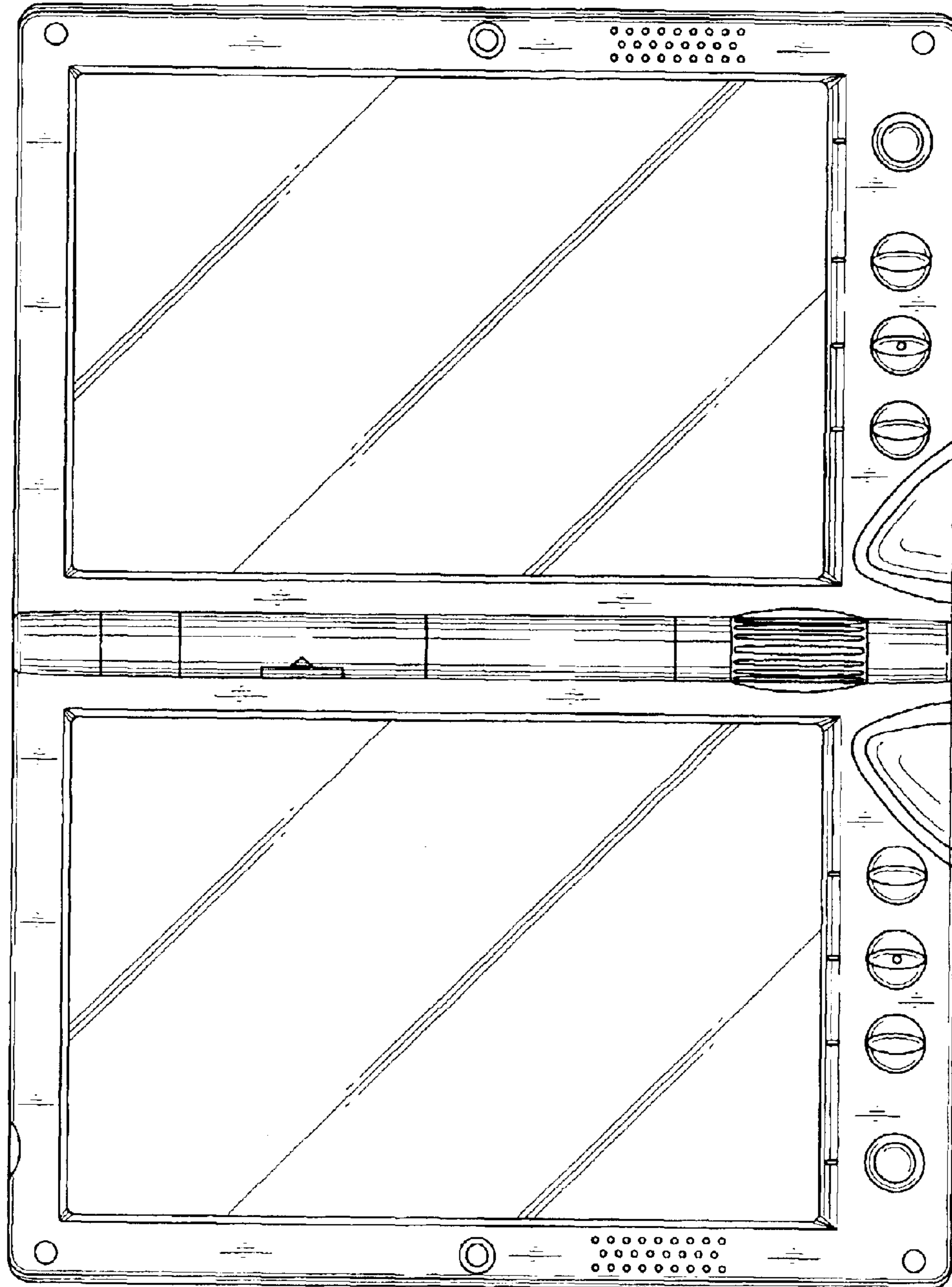


FIG. 3

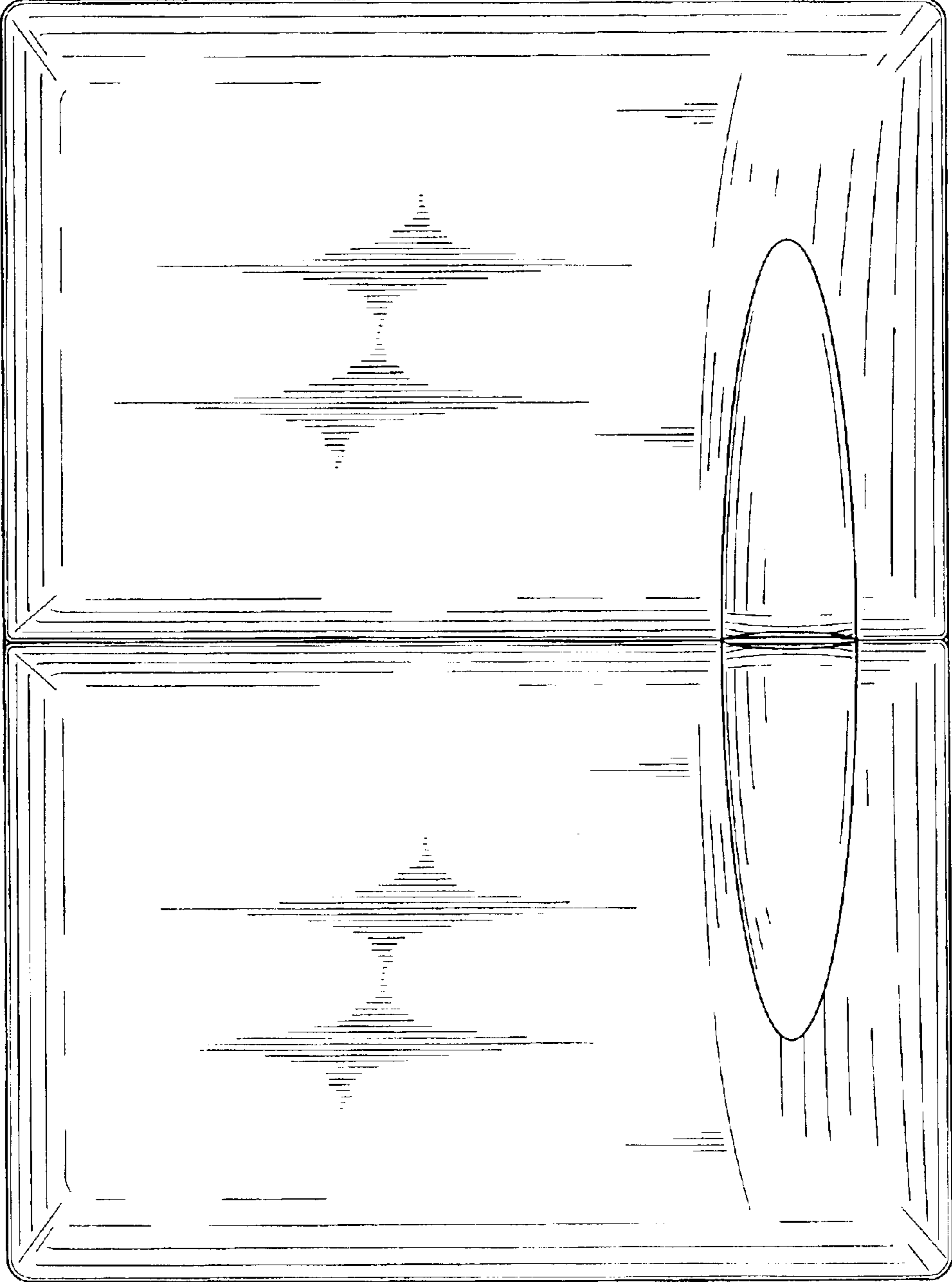


FIG. 4

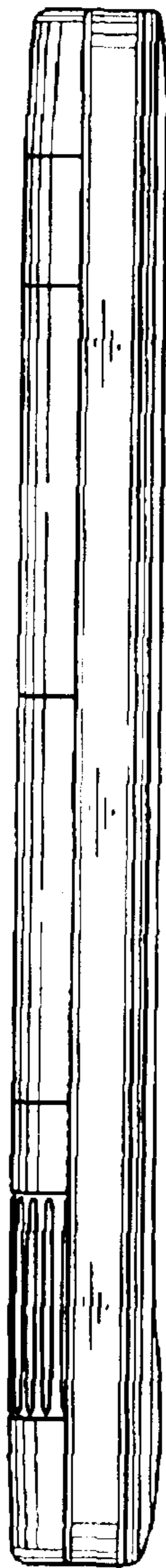


FIG. 5



FIG. 6

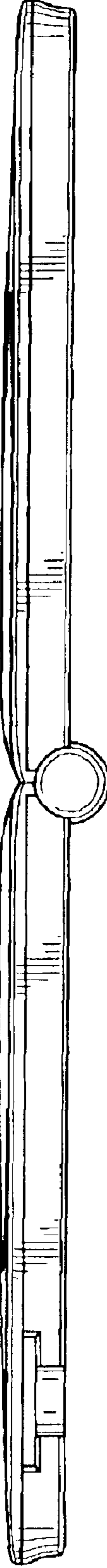


FIG. 7

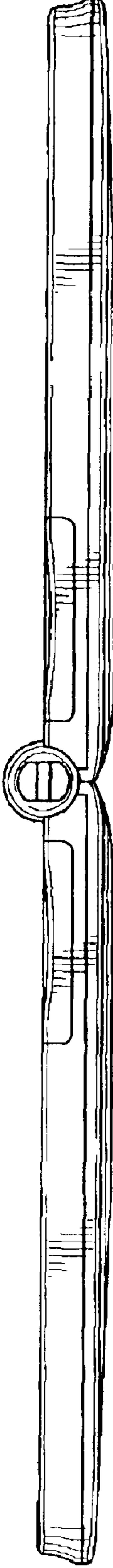


FIG. 8

