

US00D495677S1

(12) **United States Design Patent** (10) **Patent No.:** **US D495,677 S**
Kawano et al. (45) **Date of Patent:** **** Sep. 7, 2004**

(54) **DVD PLAYER FOR AN AUTOMOBILE**
 (75) Inventors: **Tadaatsu Kawano, Kawasaki (JP);**
Hiroyuki Mizokawa, Yokohama (JP)
 (73) Assignee: **Matsushita Electric Industrial Co.,**
Ltd., Osaka (JP)
 (**) Term: **14 Years**

D450,678 S 11/2001 Mizokawa et al.
 D463,413 S * 9/2002 Harris D14/257
 D468,285 S 1/2003 Mizokawa
 D471,886 S 3/2003 Nishii et al.
 D471,887 S 3/2003 Nishii et al.
 D475,690 S 6/2003 Nose et al.
 D475,691 S 6/2003 Nishii et al.
 D477,298 S 7/2003 Hori et al.
 D480,076 S 9/2003 Nose et al.

FOREIGN PATENT DOCUMENTS

(21) Appl. No.: **29/198,768**
 (22) Filed: **Feb. 4, 2004**
 (30) **Foreign Application Priority Data**
 Oct. 14, 2003 (JP) 2003-030190

JP D1068940 5/2000
 JP D1126661 11/2001
 JP D1151953 9/2002
 JP D1153780 9/2003

* cited by examiner

(51) **LOC (7) Cl.** **14-01**
 (52) **U.S. Cl.** **D14/157**
 (58) **Field of Search** D14/135-136,
 D14/160-168, 188, 197-198, 156-157,
 257, 258; 455/100, 344, 346-351, 321;
 369/75.1, 75.2, 77.2

Primary Examiner—Nanda Bondade
 (74) *Attorney, Agent, or Firm*—Brinks Hofer Gilson &
 Lione

(57) **CLAIM**

The ornamental design for a DVD player for an automobile, as shown and described.

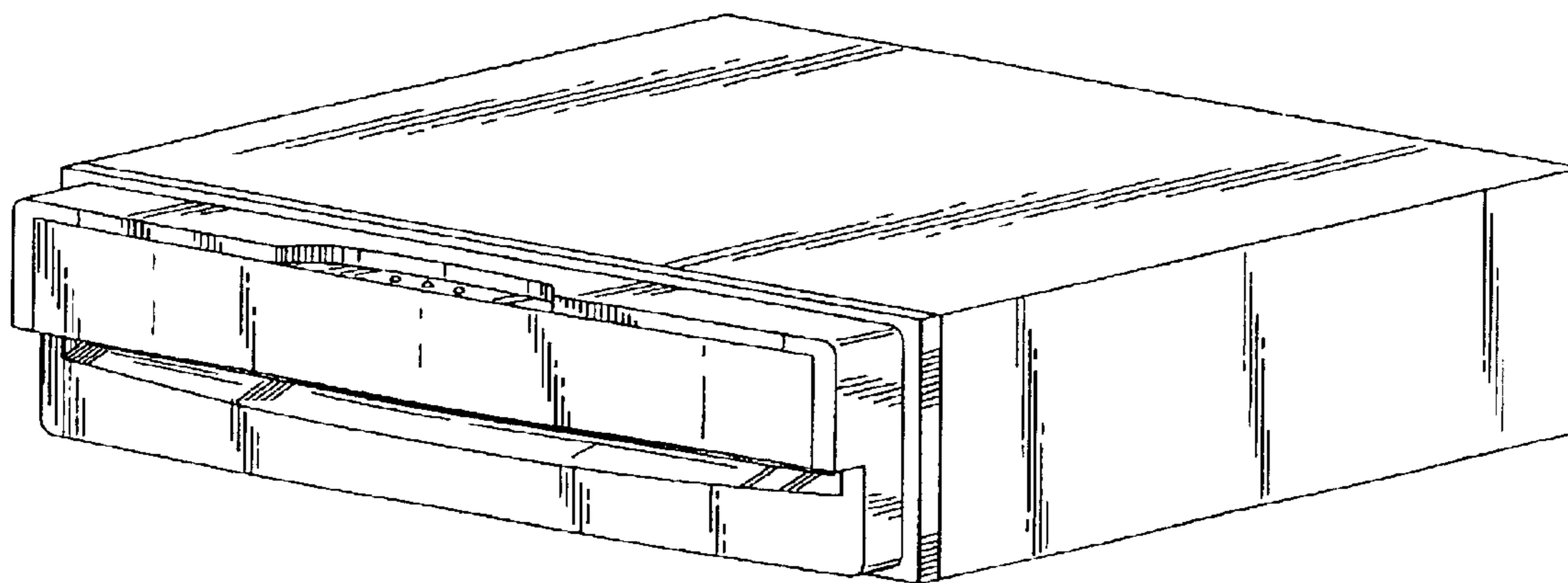
(56) **References Cited**
U.S. PATENT DOCUMENTS

D387,756 S * 12/1997 Goshima D14/136
 D391,958 S 3/1998 Miyazawa et al.
 D400,529 S 11/1998 Kakizaki
 D407,704 S 4/1999 Ichijima et al.
 D430,552 S 9/2000 Nose
 D438,520 S 3/2001 Nose et al.
 D440,547 S 4/2001 Hori et al.
 D442,571 S 5/2001 Nose
 D445,775 S 7/2001 Hori et al.
 D446,510 S 8/2001 Hori et al.
 D446,781 S 8/2001 Hori et al.
 D448,014 S 9/2001 Hori et al.

DESCRIPTION

FIG. 1 is a top perspective view of a DVD player for an automobile of the present invention;
 FIG. 2 is a front view thereof;
 FIG. 3 is a first side view thereof;
 FIG. 4 is a top view thereof;
 FIG. 5 is a second side view thereof;
 FIG. 6 is a bottom view thereof;
 FIG. 7 is a rear view thereof; and,
 FIG. 8 is a top perspective view thereof, wherein the faceplate is in an open position.

1 Claim, 4 Drawing Sheets



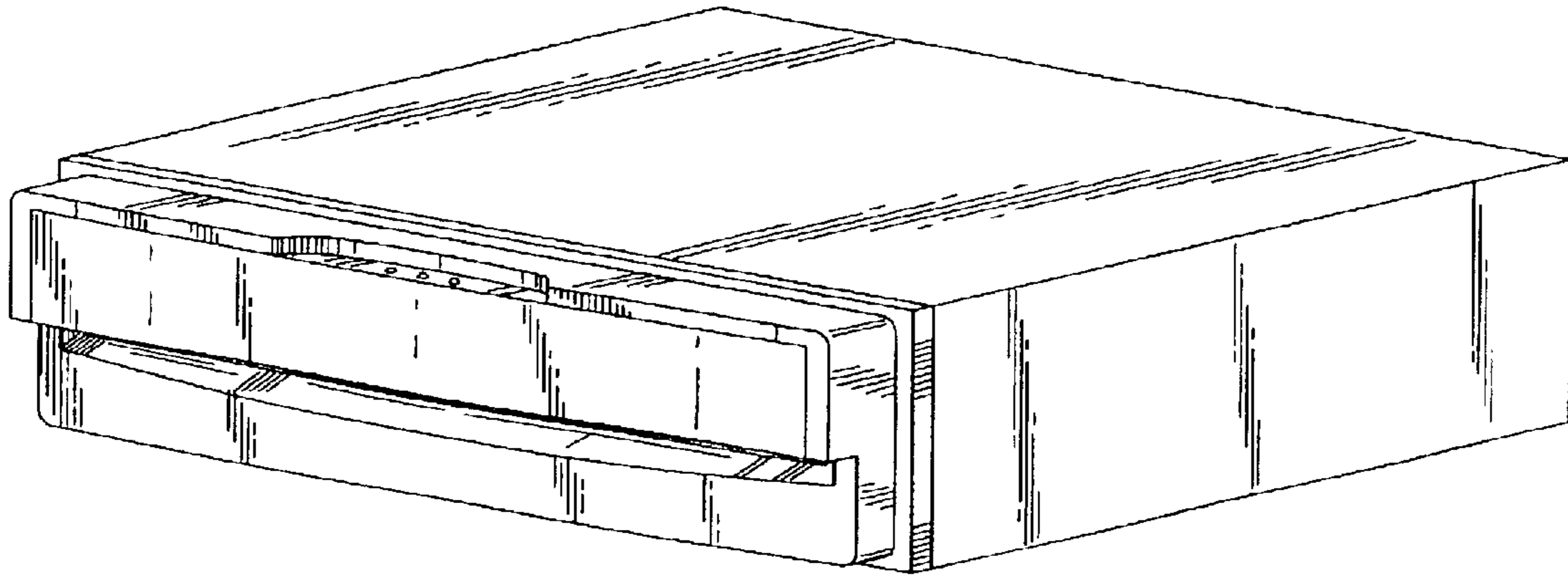


FIG. 1

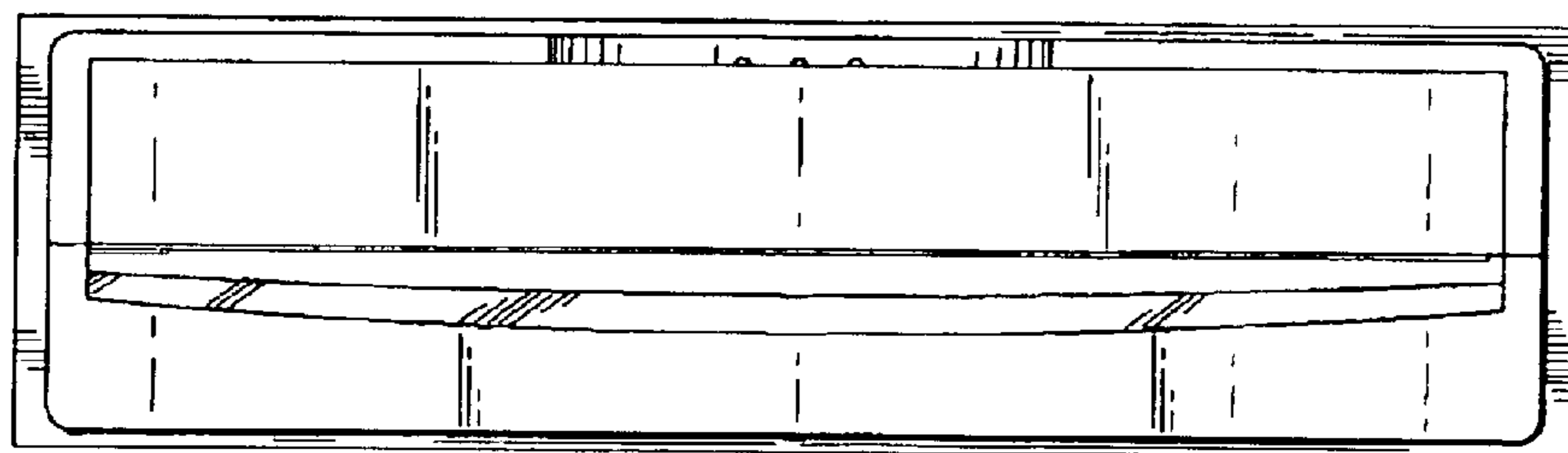


FIG. 2

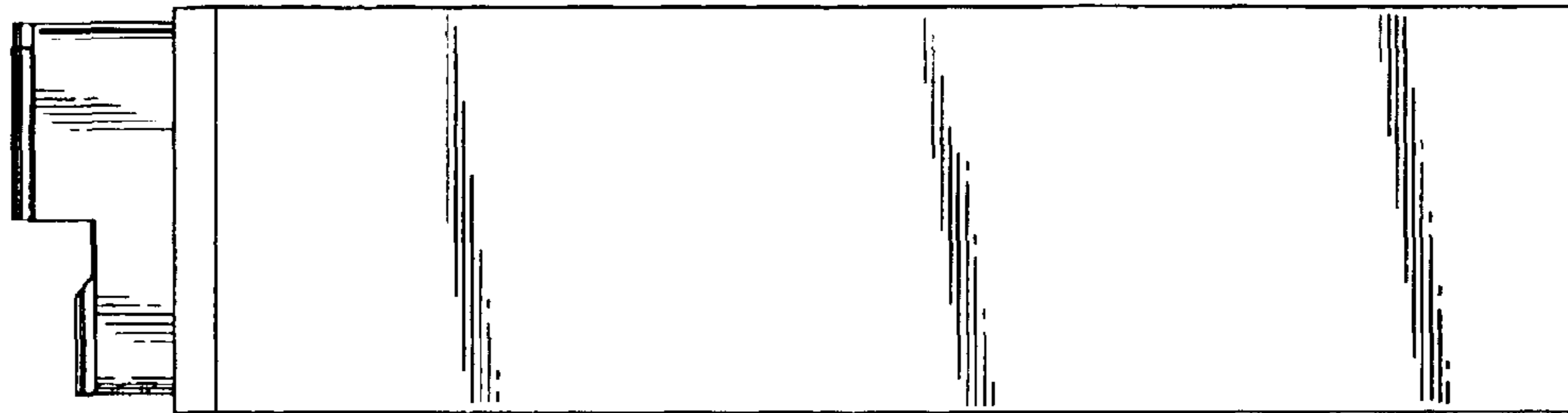


FIG. 3

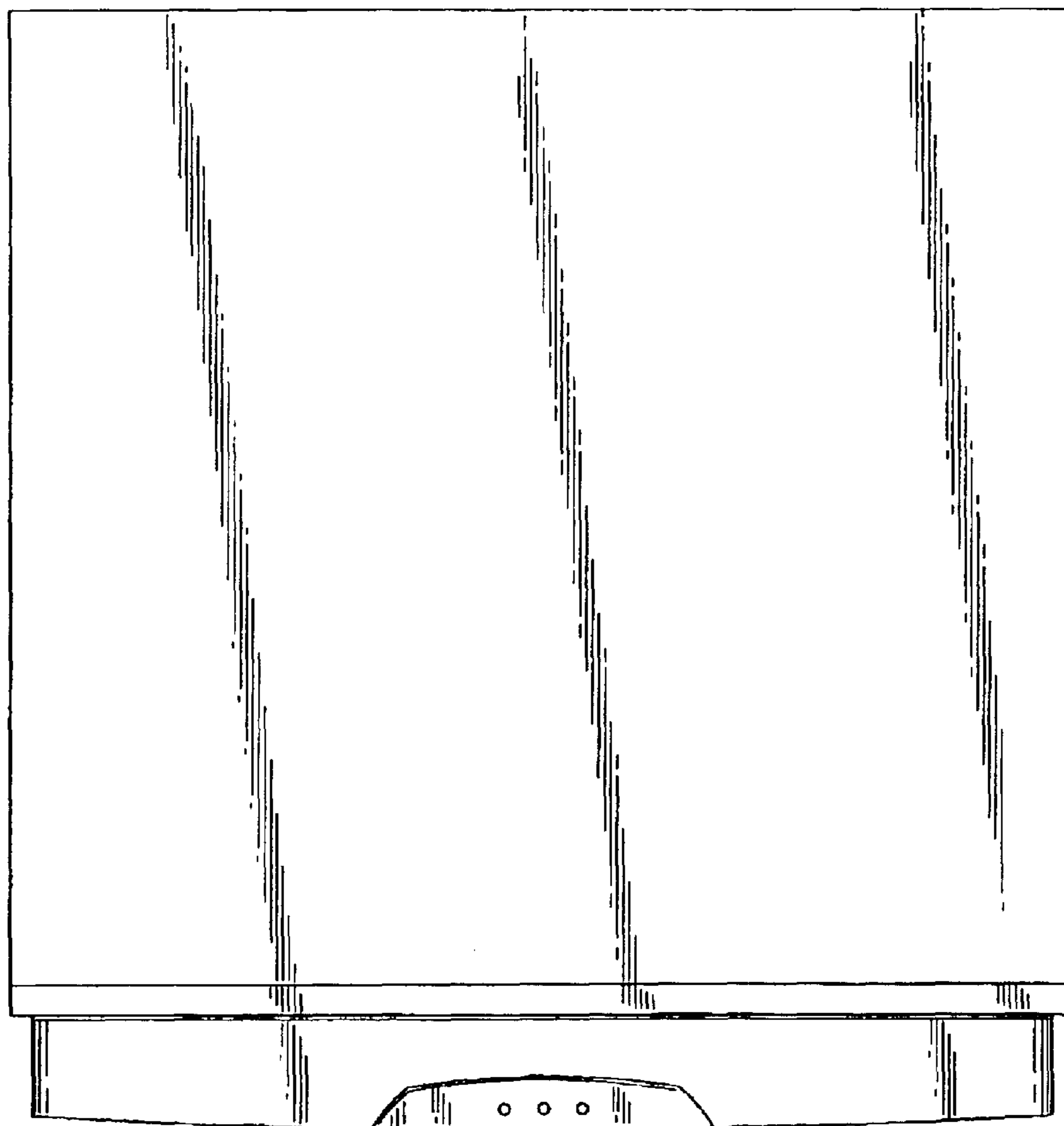


FIG. 4

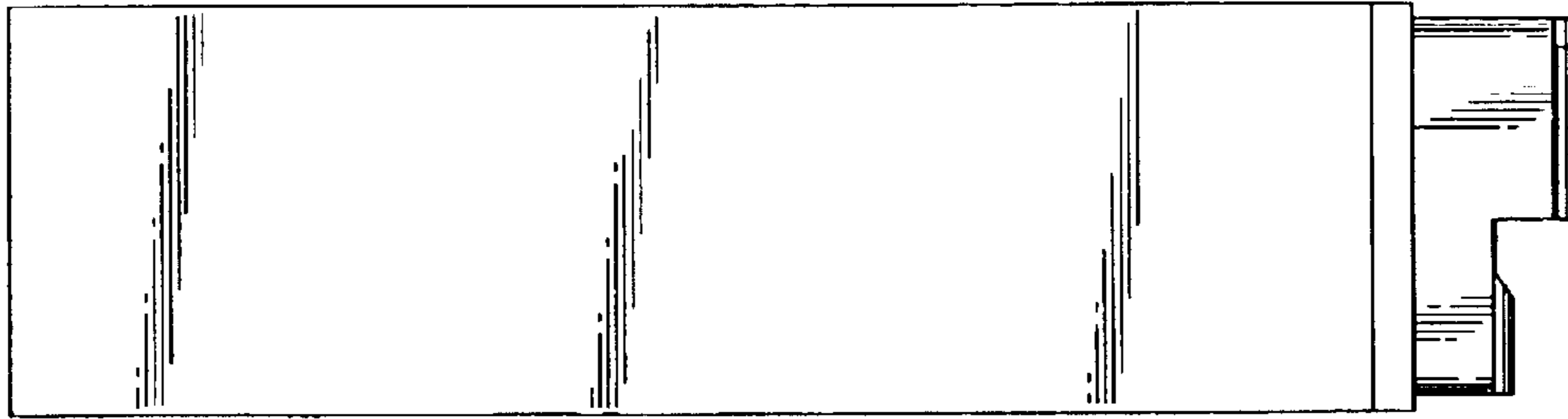


FIG. 5

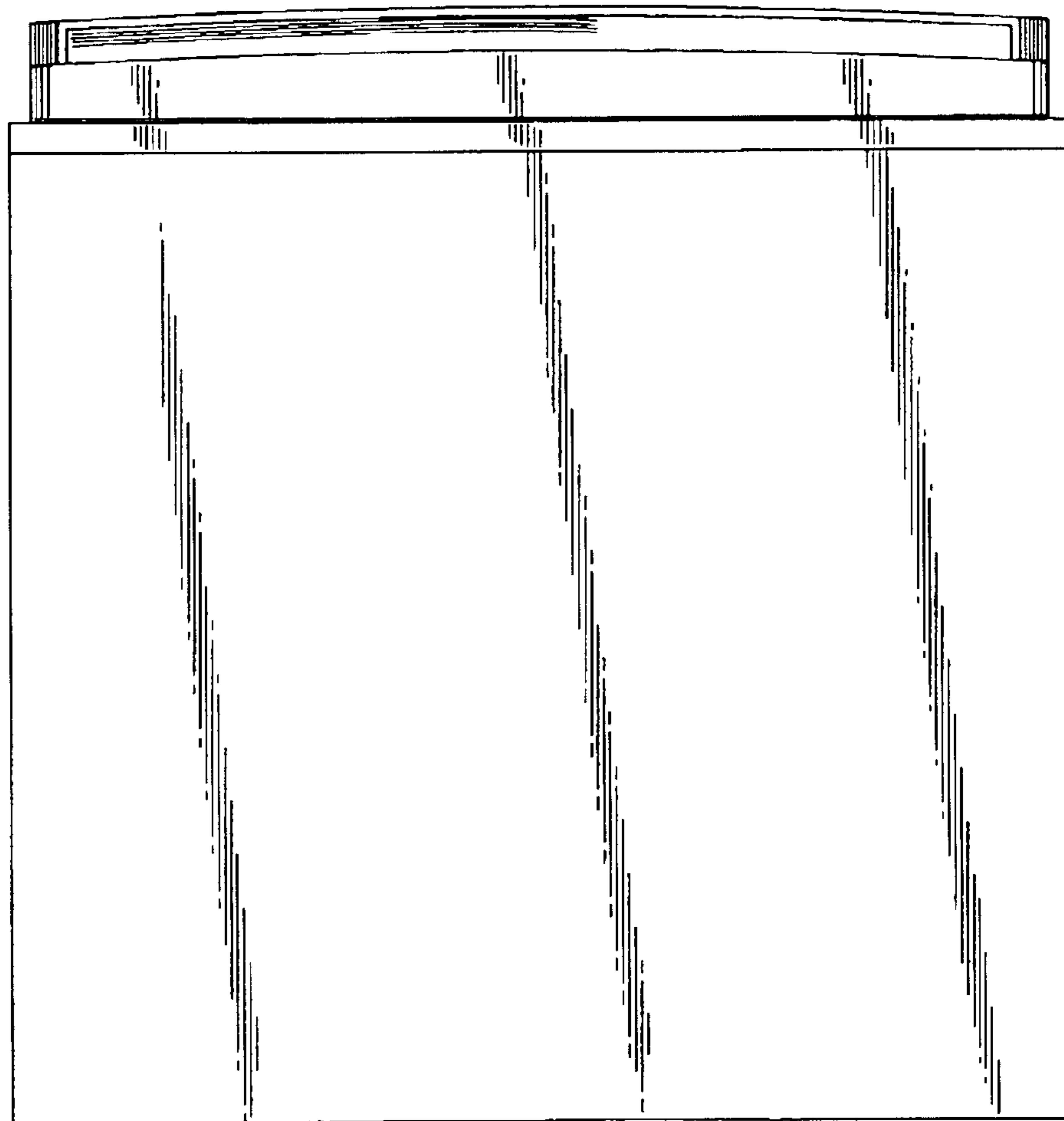


FIG. 6

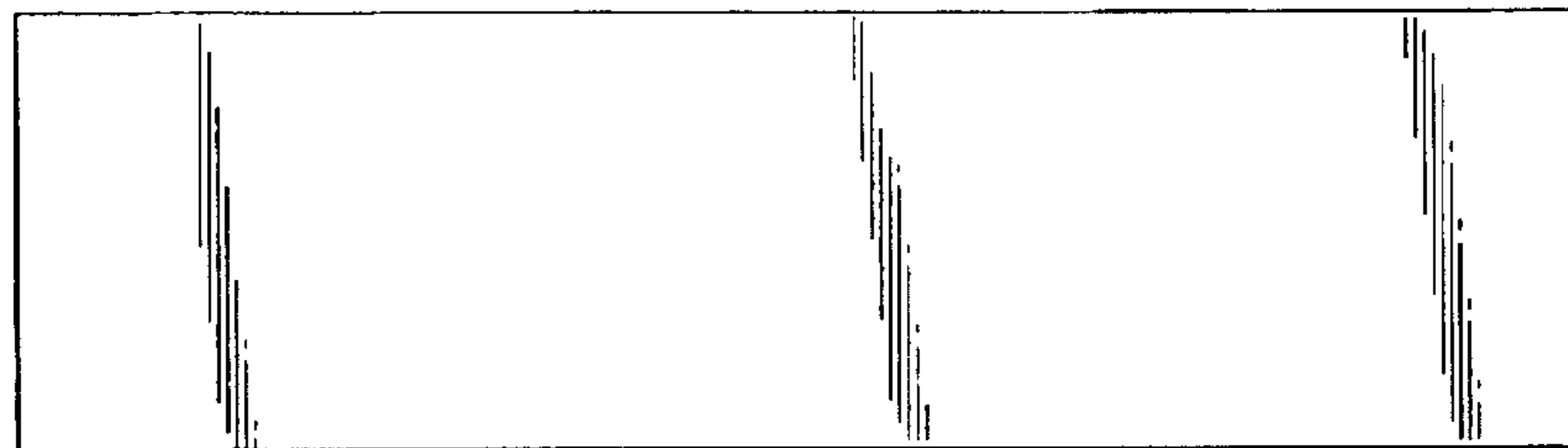


FIG. 7

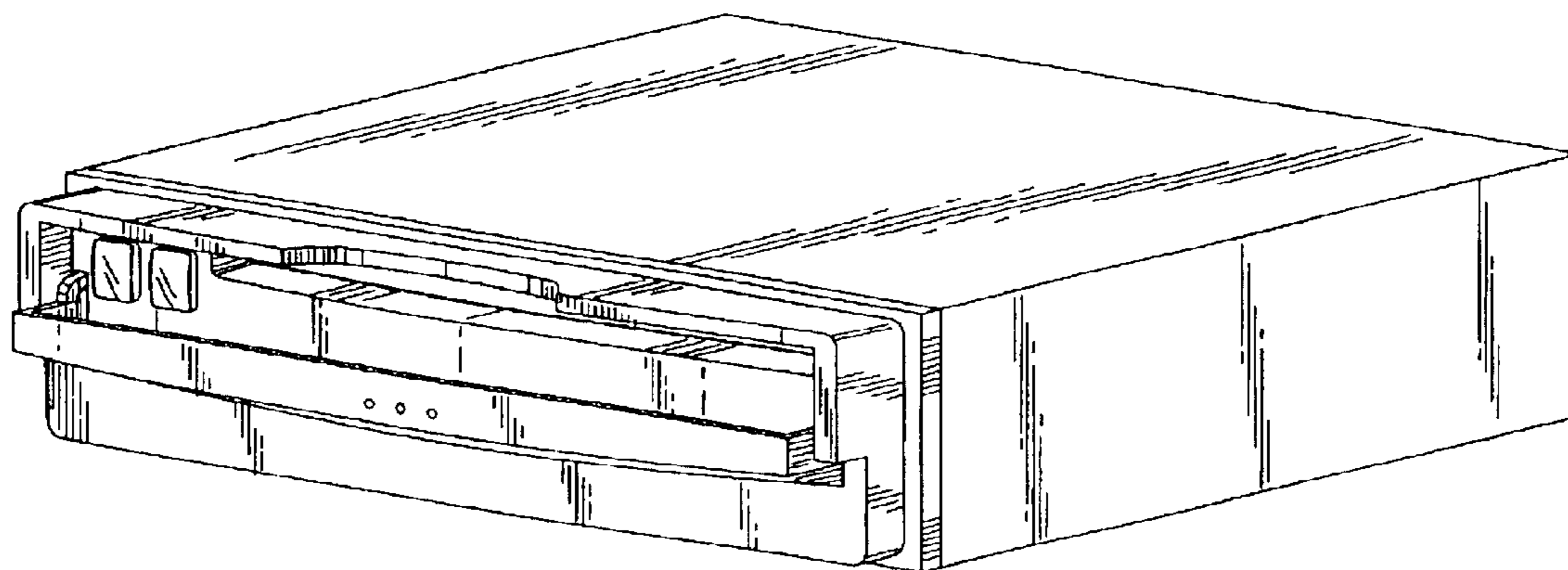


FIG. 8