

US00D495672S1

(12) **United States Design Patent**
Jeon et al.

(10) **Patent No.:** **US D495,672 S**

(45) **Date of Patent:** **** Sep. 7, 2004**

(54) **CELLULAR PHONE**

(75) Inventors: **Young-jun Jeon**, Seoul (KR);
Chang-hwan Hwang, Kyungki-Do
(KR); **Hyun-seop Kim**, Gunpo (KR)

(73) Assignee: **Samsung Electronics Co., Ltd.** (KR)

(**) Term: **14 Years**

(21) Appl. No.: **29/193,411**

(22) Filed: **Nov. 10, 2003**

(51) **LOC (7) Cl.** **14-03**

(52) **U.S. Cl.** **D14/138**

(58) **Field of Search** D14/137, 138,
D14/218, 147-148, 247-248, 144, 341-347;
379/433.01-433.13, 419, 434, 428.01-428.04,
420.01-420.04, 440; 455/550.1-90.3; D21/517;
D13/168; D18/2, 7; 345/168, 169

(56) **References Cited**

U.S. PATENT DOCUMENTS

6,069,648	A	*	5/2000	Suso et al.	348/14.02
D438,184	S	*	2/2001	Suzuki et al.	D14/138
6,396,924	B1	*	5/2002	Suso et al.	379/433.13
6,466,202	B1	*	10/2002	Suso et al.	345/169
D469,070	S	*	1/2003	Lee	D14/138
6,549,789	B1	*	4/2003	Kfoury	455/550.1
D475,688	S	*	6/2003	Pierce et al.	D14/138
D475,689	S	*	6/2003	Shimazu et al.	D14/138
D477,296	S	*	7/2003	Minamide	D14/138
D477,581	S	*	7/2003	Iijima et al.	D14/138
D483,341	S	*	12/2003	Rausch et al.	D14/138
D483,342	S	*	12/2003	Lee et al.	D14/138
D484,478	S	*	12/2003	Kota et al.	D14/138
D484,862	S	*	1/2004	Yang	D14/138
D484,863	S	*	1/2004	Chan	D14/138
D485,248	S	*	1/2004	Ogawa	D14/138
D485,249	S	*	1/2004	Liao et al.	D14/138
D485,818	S	*	1/2004	Yabe et al.	D14/138
D486,462	S	*	2/2004	Lim	D14/138
D486,809	S	*	2/2004	Hwang	D14/138
6,697,117	B1	*	2/2004	Park	348/373

D487,438	S	*	3/2004	Sheu	D14/138
D487,443	S	*	3/2004	Yoon	D14/138
D488,144	S	*	4/2004	Hwang	D14/138
D488,453	S	*	4/2004	Chang et al.	D14/138

(List continued on next page.)

OTHER PUBLICATIONS

clie Personal Entertainment Organizer, 2003 Sony Electronics. <http://sonyelectronics.sonystyle.com/micros/clie/model/nx70v.html>.*

Primary Examiner—Jeffrey Asch

(74) *Attorney, Agent, or Firm*—Irving Keschner

(57) **CLAIM**

The ornamental design for a cellular phone, as shown.

DESCRIPTION

FIG. 1 is a perspective view of the ornamental design of the present invention with a cellular phone in the closed position;

FIG. 2 is a front elevational view of the ornamental design of the present invention;

FIG. 3 is a rear elevational view of the ornamental design of the present invention;

FIG. 4 is a left side elevational view of the ornamental design of the present invention;

FIG. 5 is a right side elevational view of the ornamental design of the present invention;

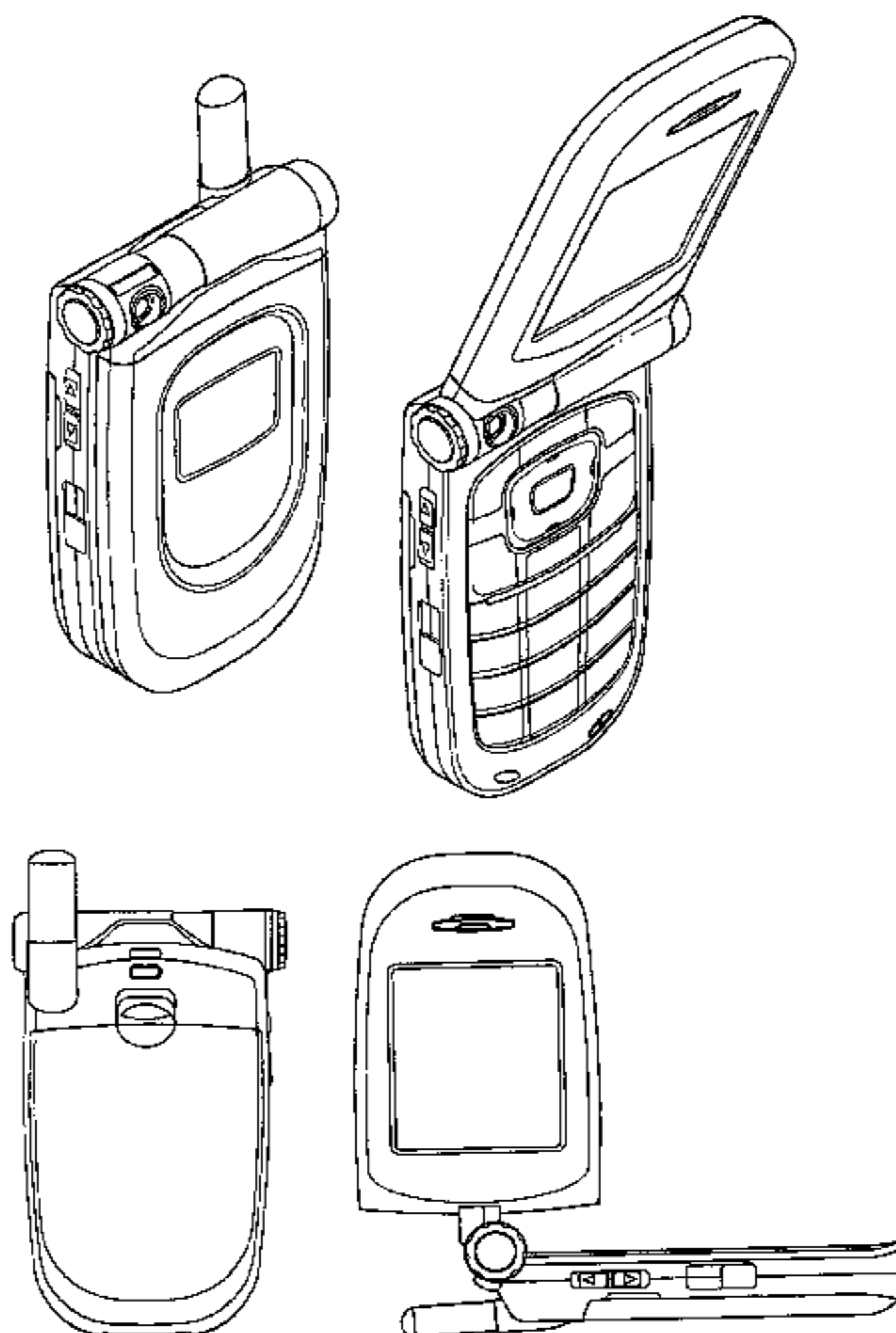
FIG. 6 is a top plan view of the ornamental design of the present invention; and

FIG. 7 is a bottom view of the ornamental design of the present invention.

FIG. 8 is a perspective view of the ornamental design of the present invention with the cellular phone in the open position; and,

FIG. 9 is a view of the ornamental design of the present invention with the cellular phone in the open position and the screen portion pivoted substantially orthogonal to its position shown in FIG. 8.

1 Claim, 6 Drawing Sheets



US D495,672 S

Page 2

U.S. PATENT DOCUMENTS

2001/0036845	A1 *	11/2001	Park	455/566	2003/0125079	A1 *	7/2003	Park et al.	455/556
2002/0051060	A1 *	5/2002	Wada	348/207	2003/0203747	A1 *	10/2003	Nagamine	455/575.3
2002/0187818	A1 *	12/2002	Kang	455/575	2003/0223576	A1 *	12/2003	Totani	379/433.04
2003/0109232	A1 *	6/2003	Park et al.	455/90	2004/0023684	A1 *	2/2004	Sato et al.	455/550.1
2003/0124991	A1 *	7/2003	Kiuchi et al.	455/90						

* cited by examiner

FIG 1

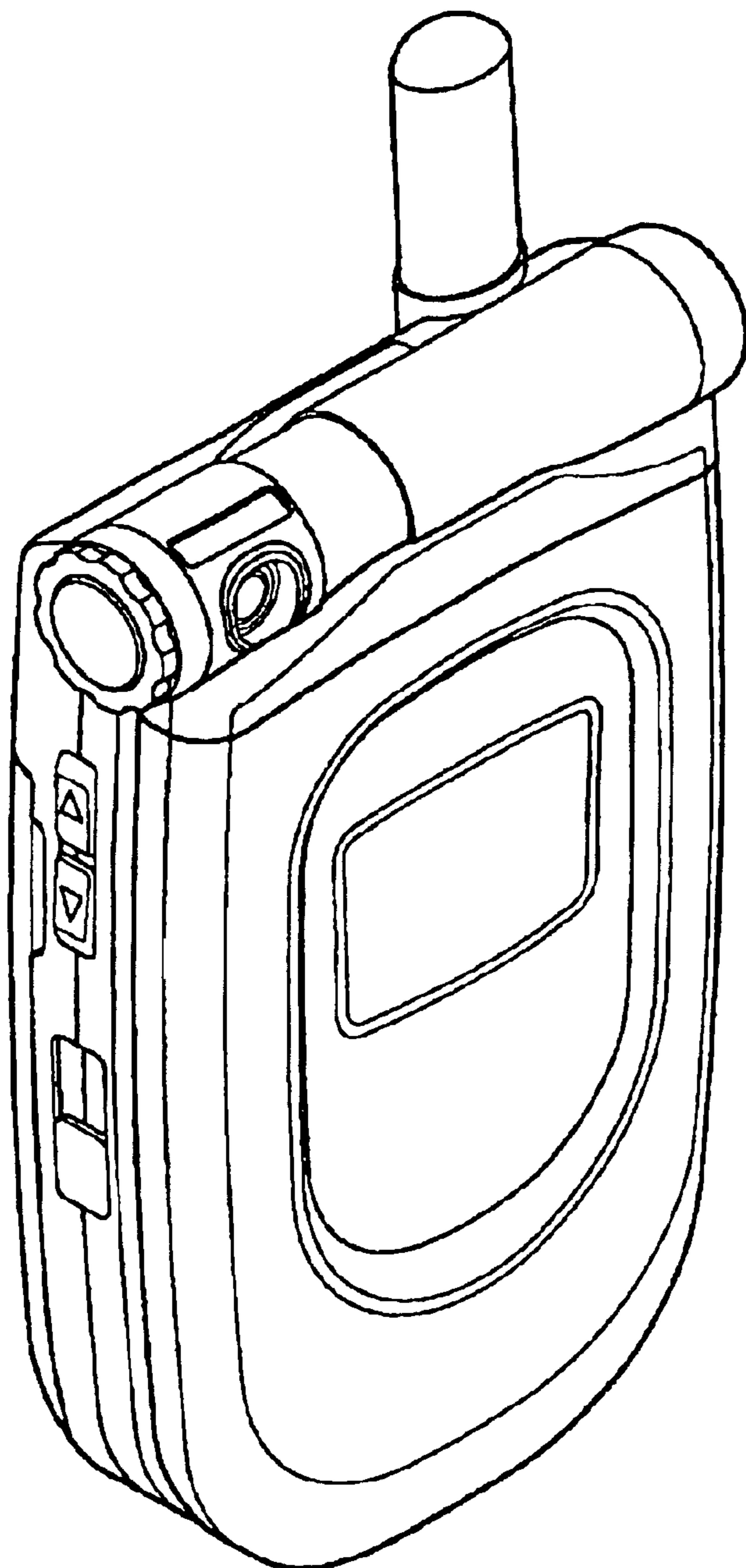


FIG 2

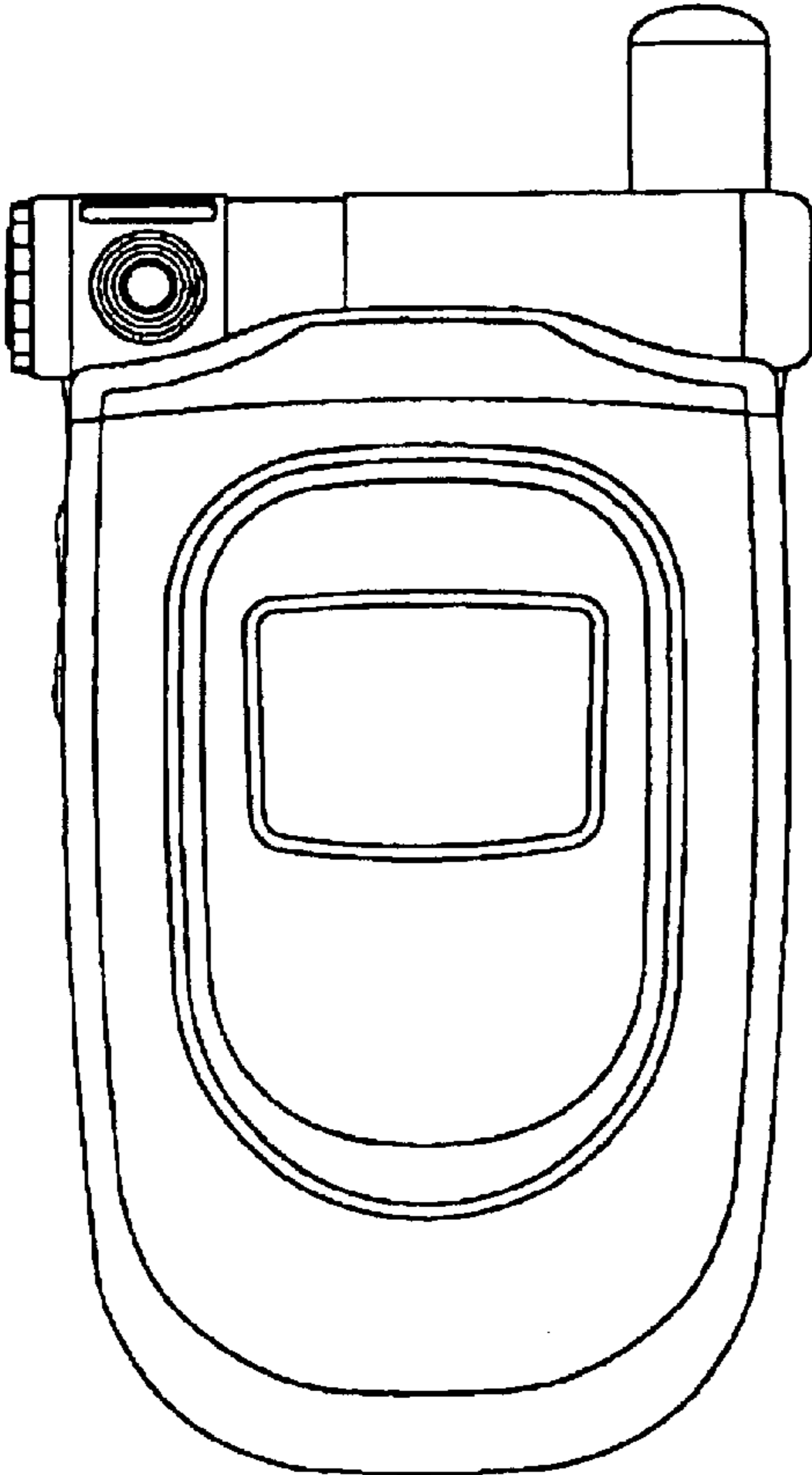


FIG 3

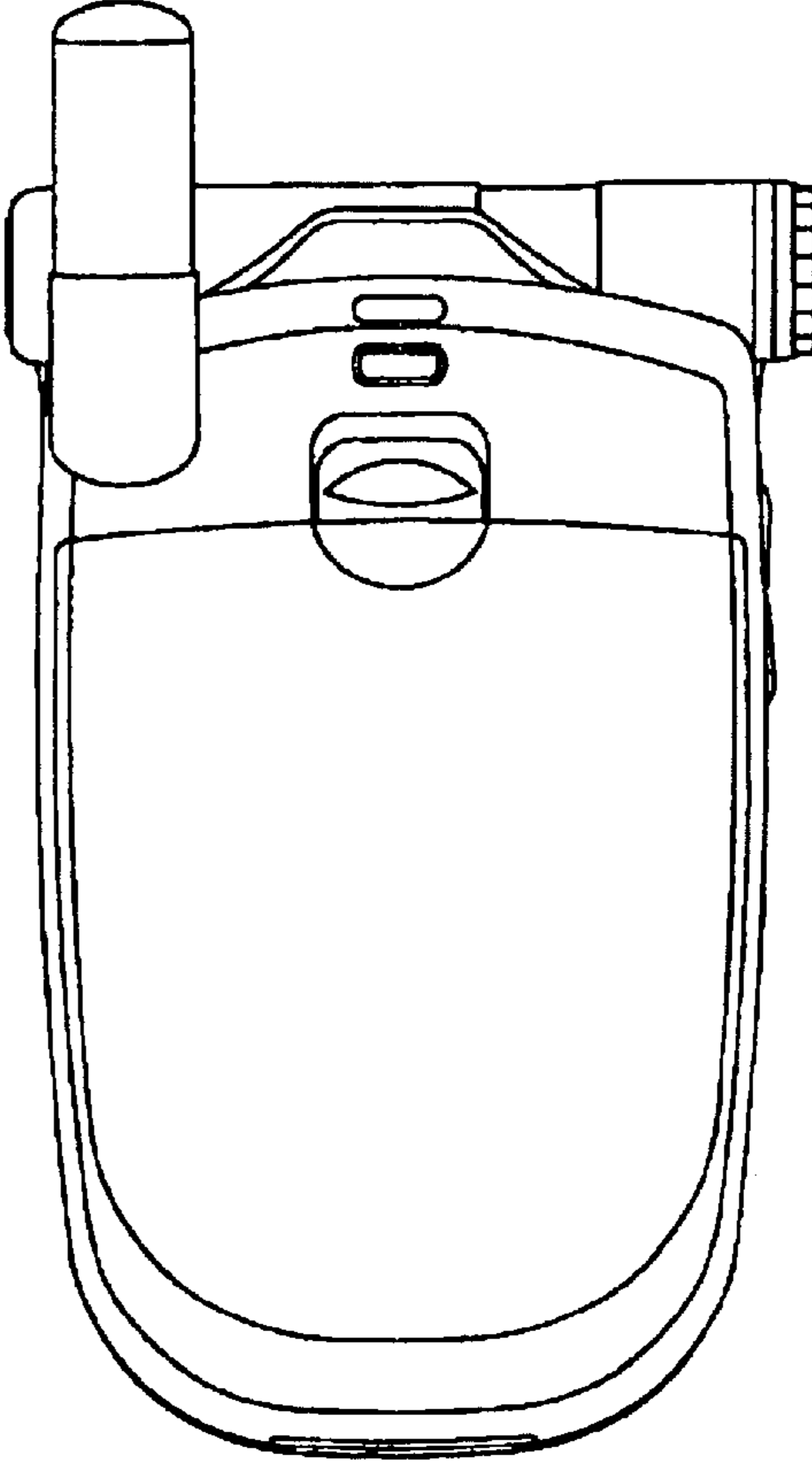


FIG 4

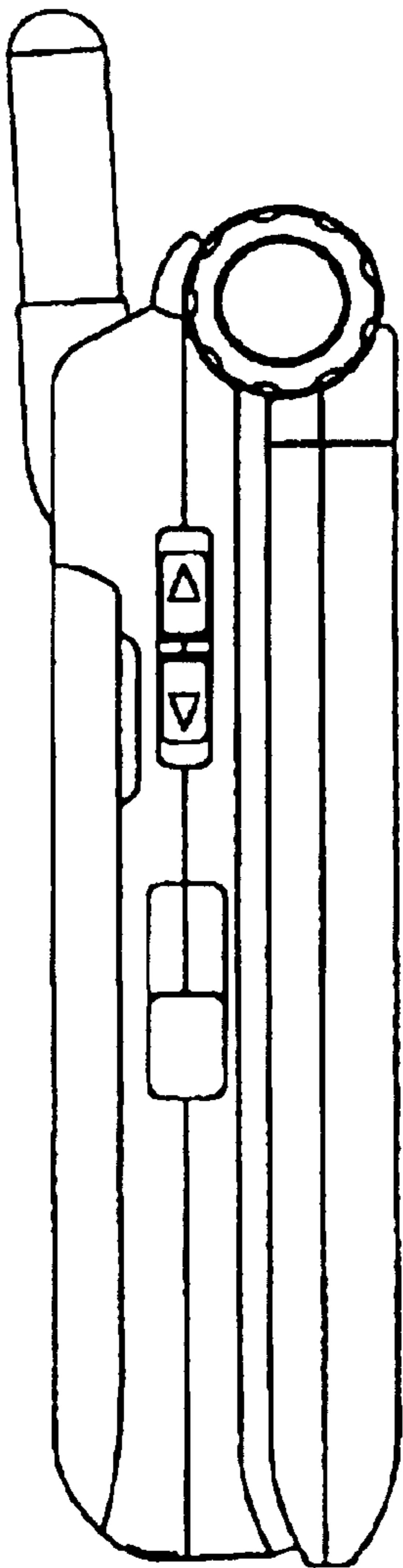


FIG 5

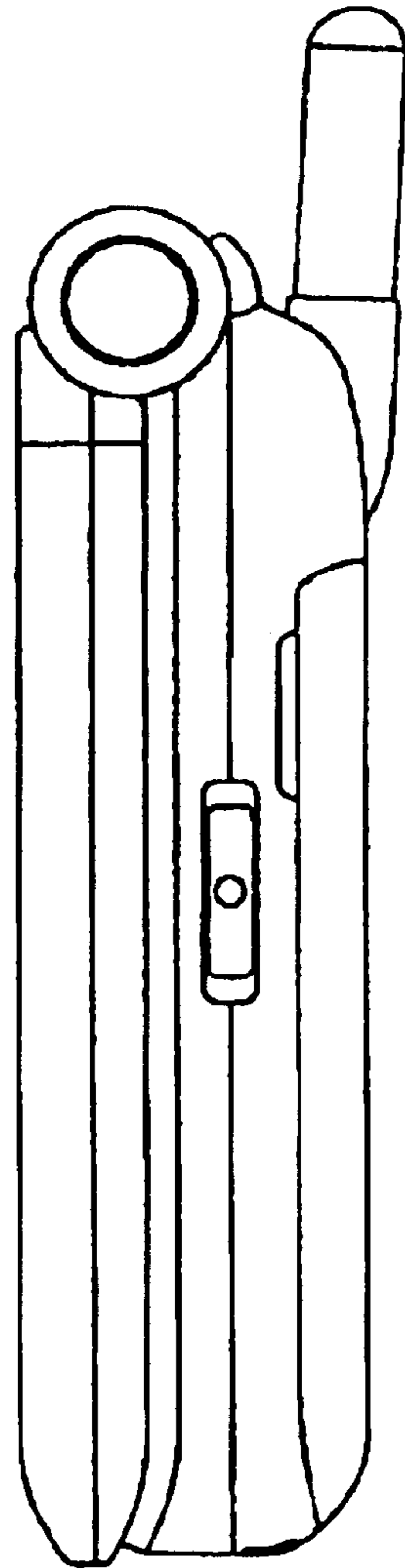


FIG 6

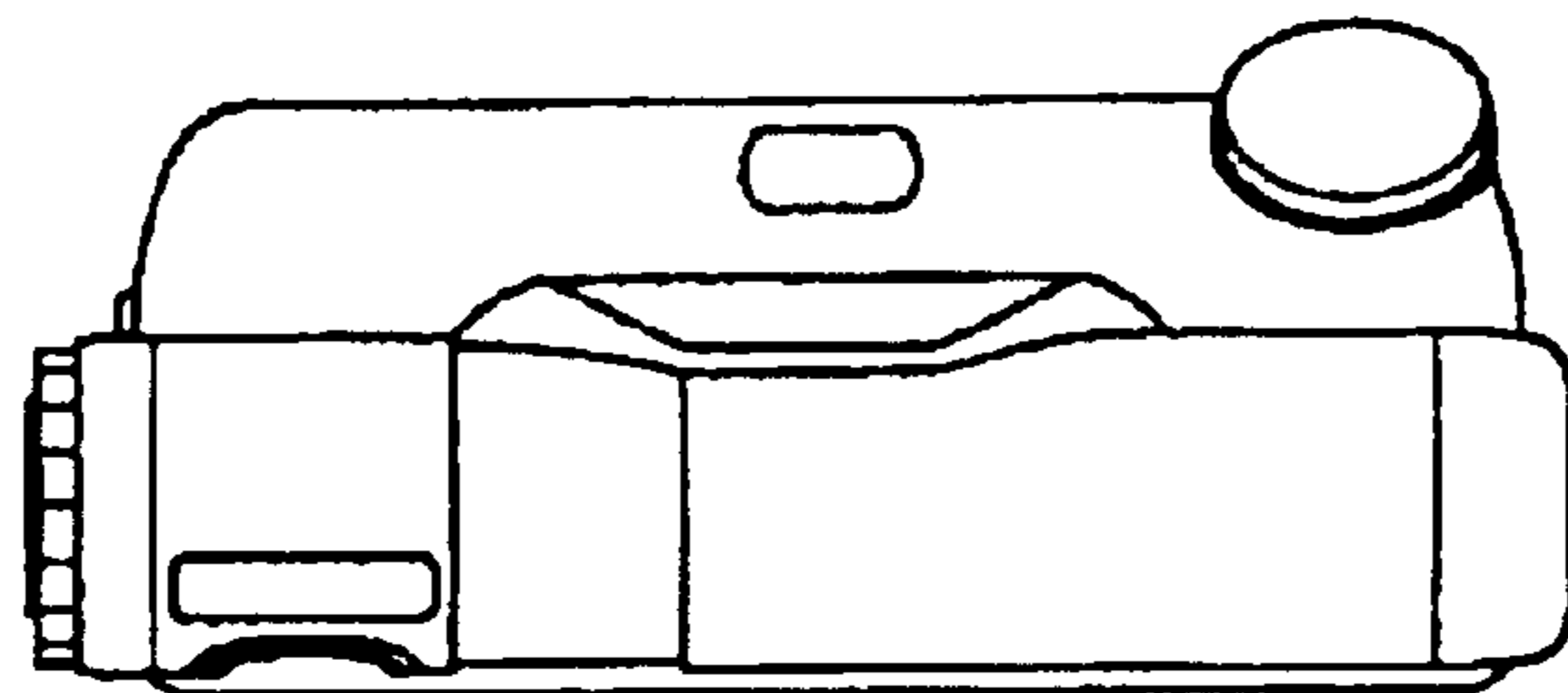


FIG 7

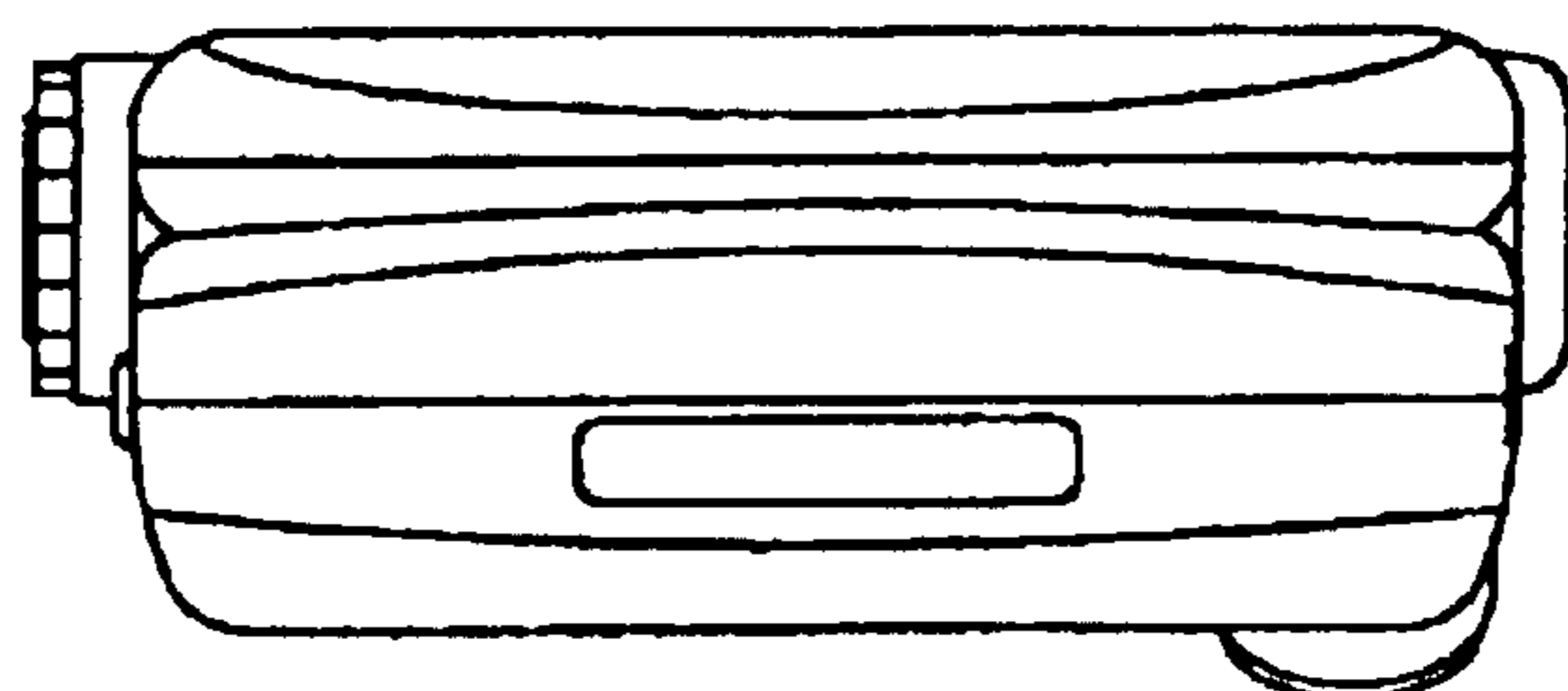


FIG 8

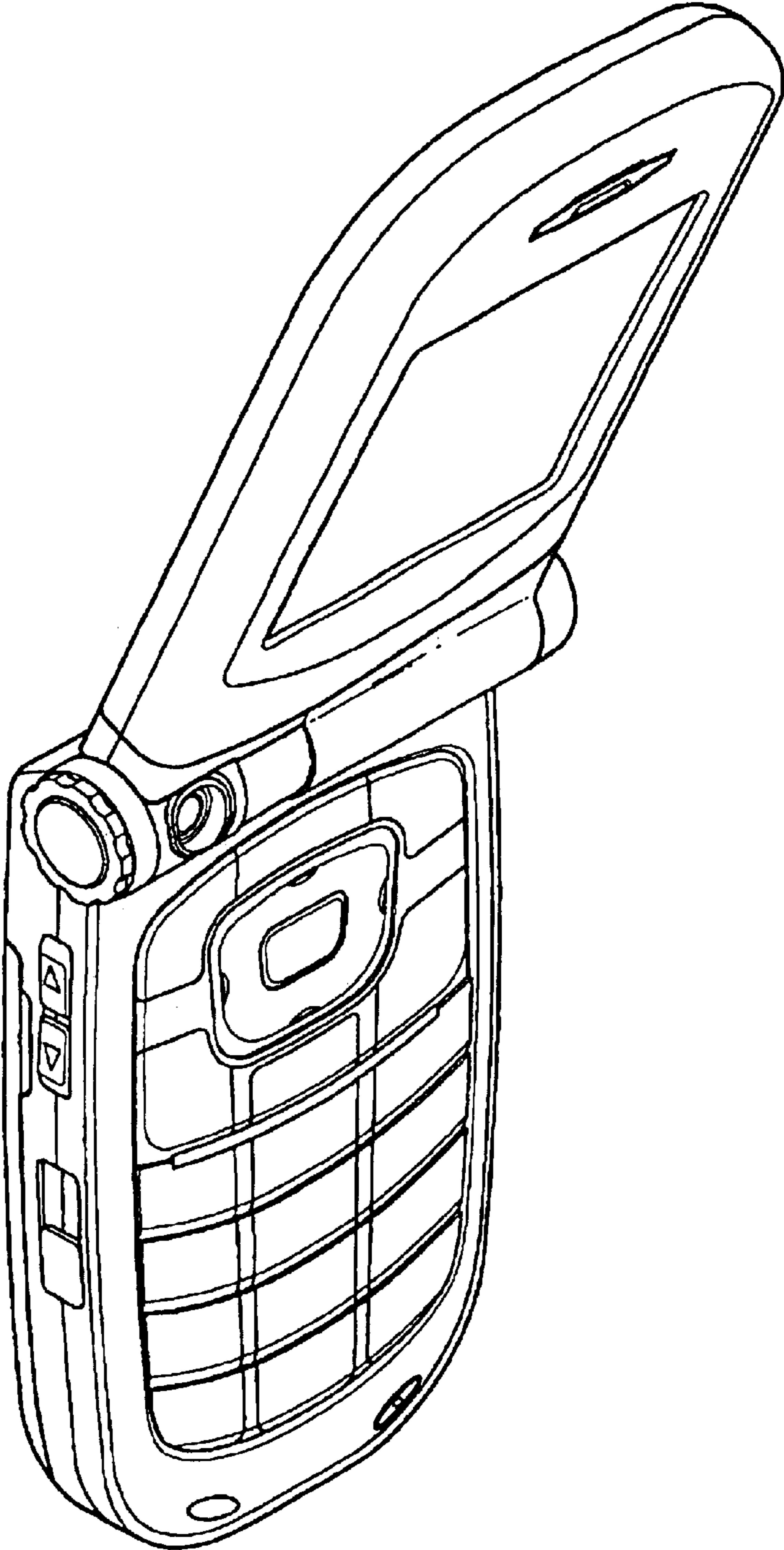


FIG 9

