

US00D495668S1

(12) **United States Design Patent**
Kim et al.

(10) **Patent No.:** **US D495,668 S**
(45) **Date of Patent:** **** Sep. 7, 2004**

(54) **LIGHT-EMITTING DIODE**

(75) Inventors: **Chang Wook Kim**, Kyungki-do (KR);
Doo Hoon Ahn, Kyungki-do (KR)

(73) Assignee: **Samsung Electro-Mechanics Co., Ltd.**
(KR)

(**) Term: **14 Years**

(21) Appl. No.: **29/196,033**

(22) Filed: **Dec. 19, 2003**

(30) **Foreign Application Priority Data**

Nov. 10, 2003 (KR) 30-2003-0031734

(51) **LOC (7) Cl.** **13-03**

(52) **U.S. Cl.** **D13/180**

(58) **Field of Search** D13/180, 182;
D10/104; 257/80, 88, 89, 98, 100, 433;
313/493, 500; 361/820; 362/240, 800; 439/557,
620; 345/83

(56) **References Cited**

U.S. PATENT DOCUMENTS

D453,745 S * 2/2002 Suenaga D13/180
D477,579 S * 7/2003 Suenaga D13/180

D478,877 S * 8/2003 Hoshiba D13/182
D478,879 S * 8/2003 Imai D13/182
D482,337 S * 11/2003 Kamada D13/182
2002/0149314 A1 * 10/2002 Takahashi et al. 313/500
2003/0136968 A1 * 7/2003 Fjelstad 257/82

* cited by examiner

Primary Examiner—Philip S. Hyder

Assistant Examiner—Selina Sikder

(74) *Attorney, Agent, or Firm*—Webb Ziesenheim Logsdon
Orkin & Hanson, P.C.

(57) **CLAIM**

The ornamental design for a light-emitting diode, as shown
and described.

DESCRIPTION

FIG. 1 is a perspective view of a light-emitting diode of the
invention;

FIG. 2 is a front view thereof;

FIG. 3 is a rear view thereof;

FIG. 4 is a left side view thereof;

FIG. 5 is a right side view thereof;

FIG. 6 is a top plan view thereof; and,

FIG. 7 is a bottom view thereof.

1 Claim, 2 Drawing Sheets

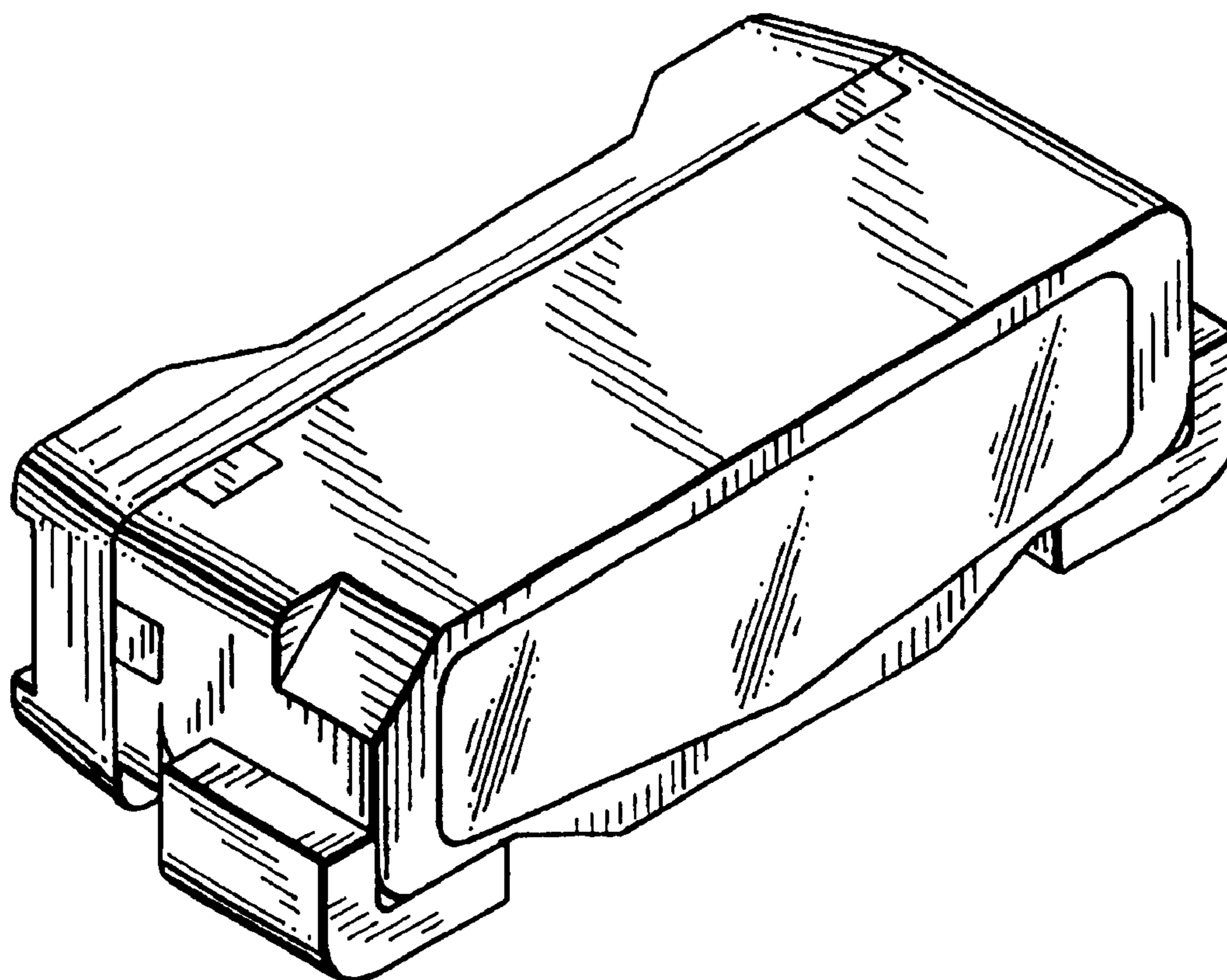


FIG. 1

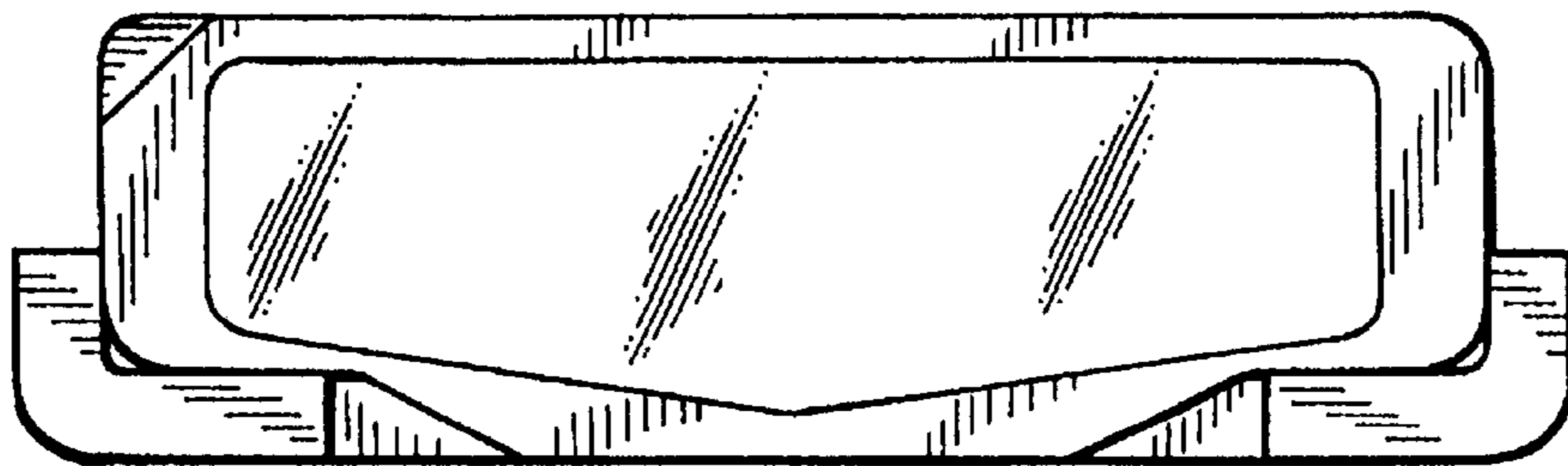
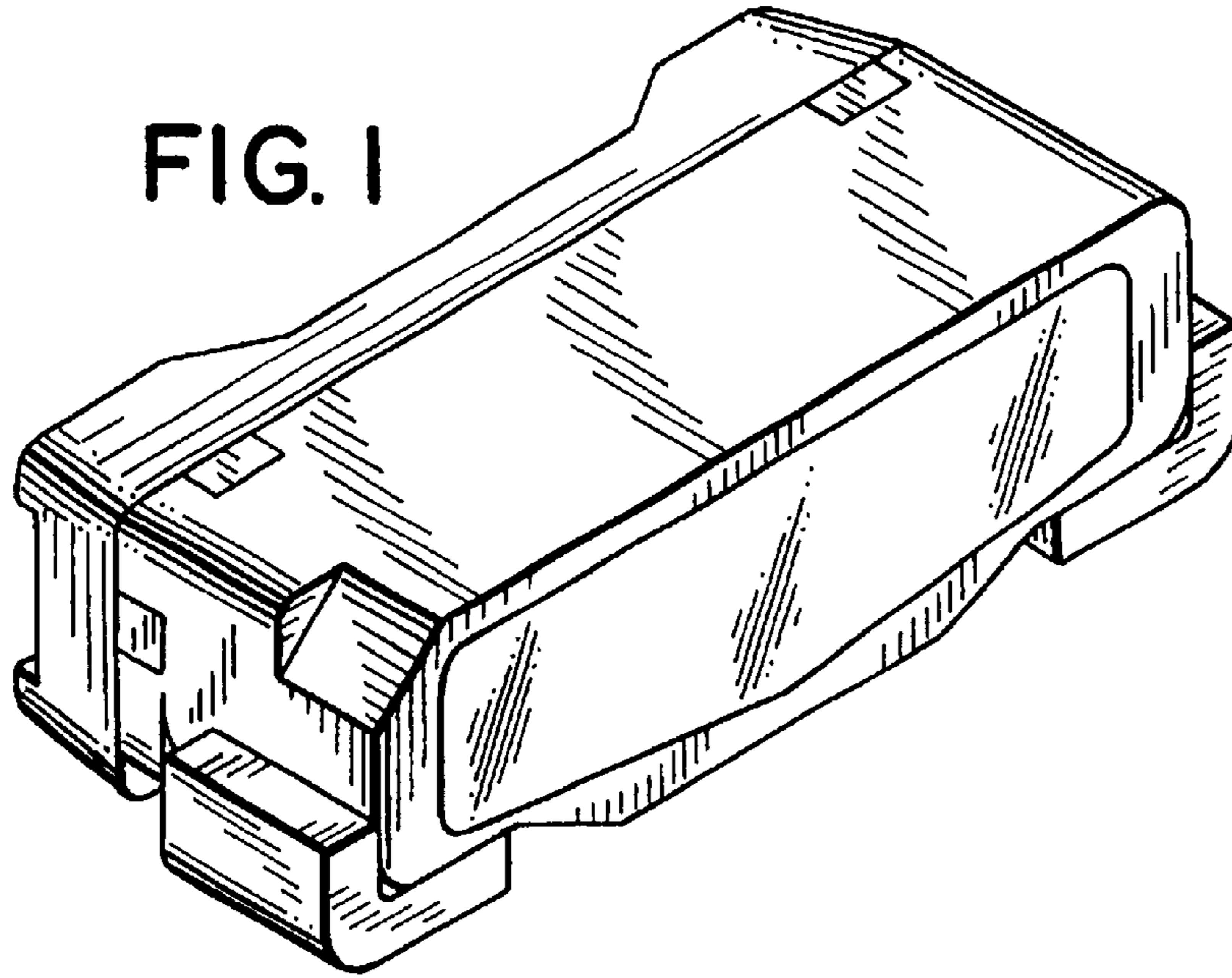


FIG. 2

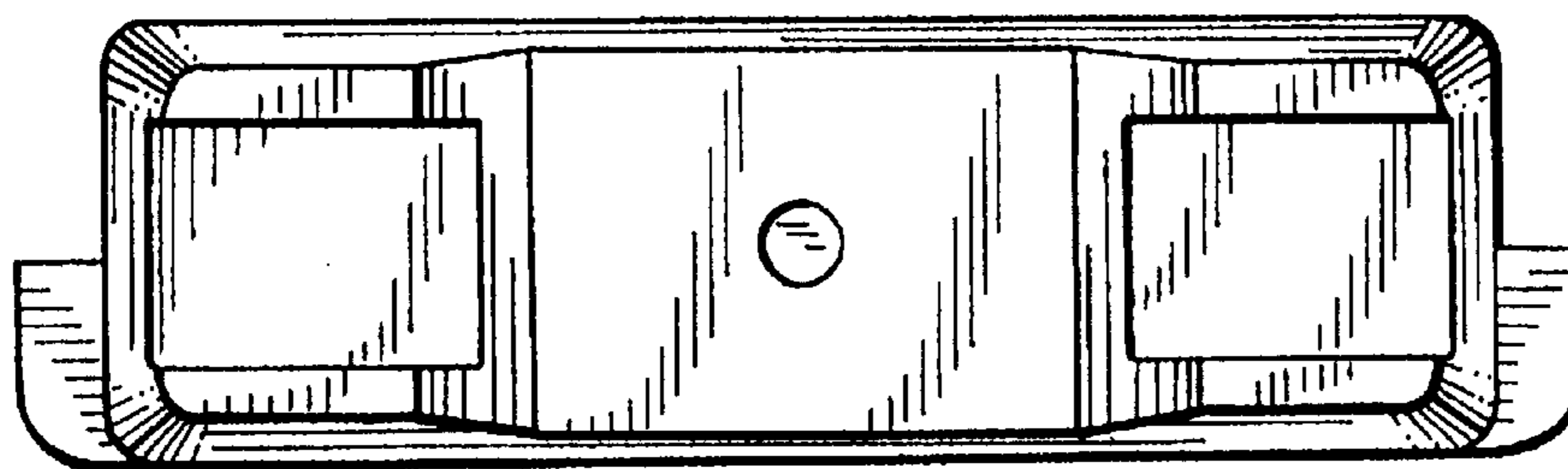


FIG. 3

FIG. 4

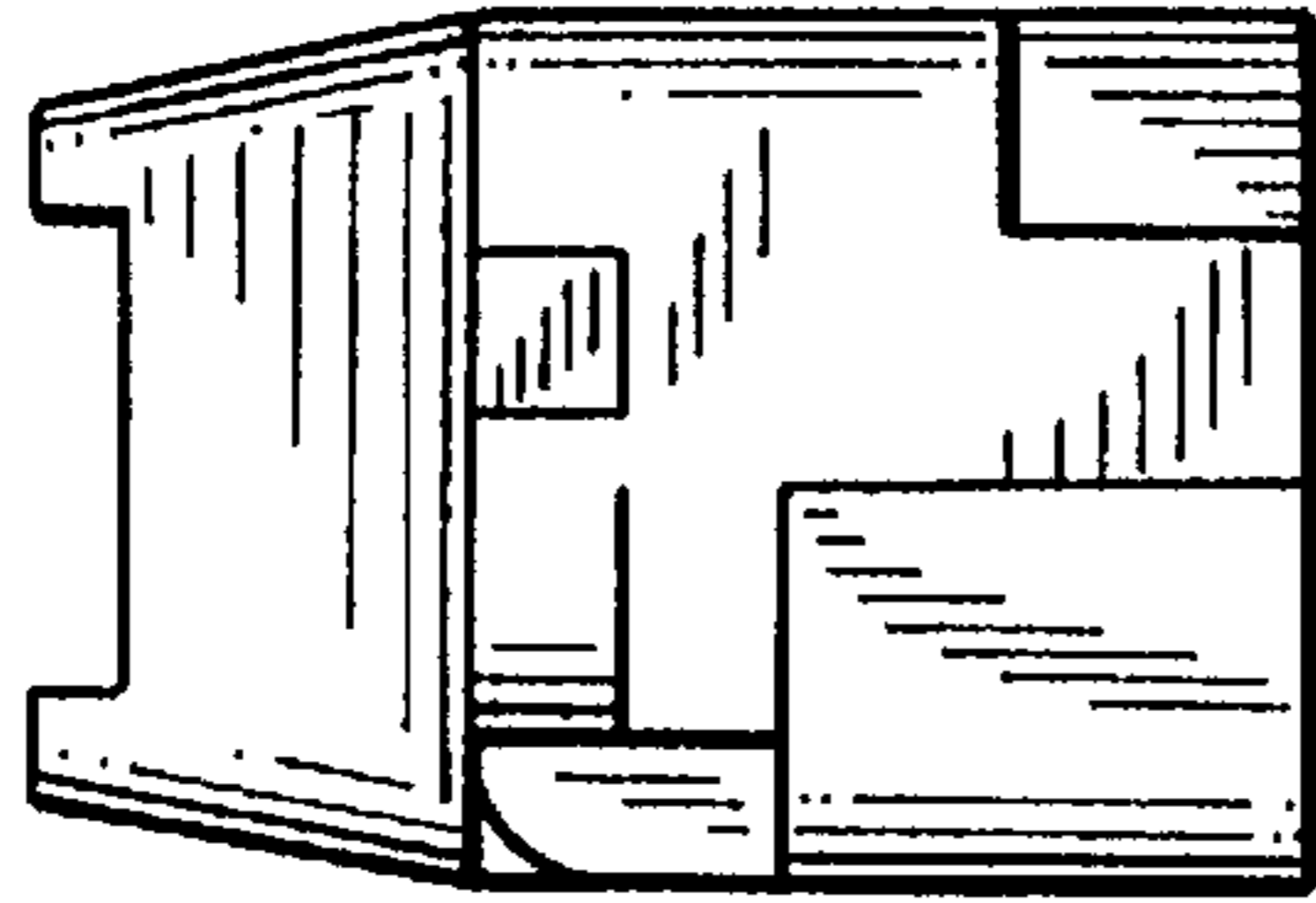


FIG. 5

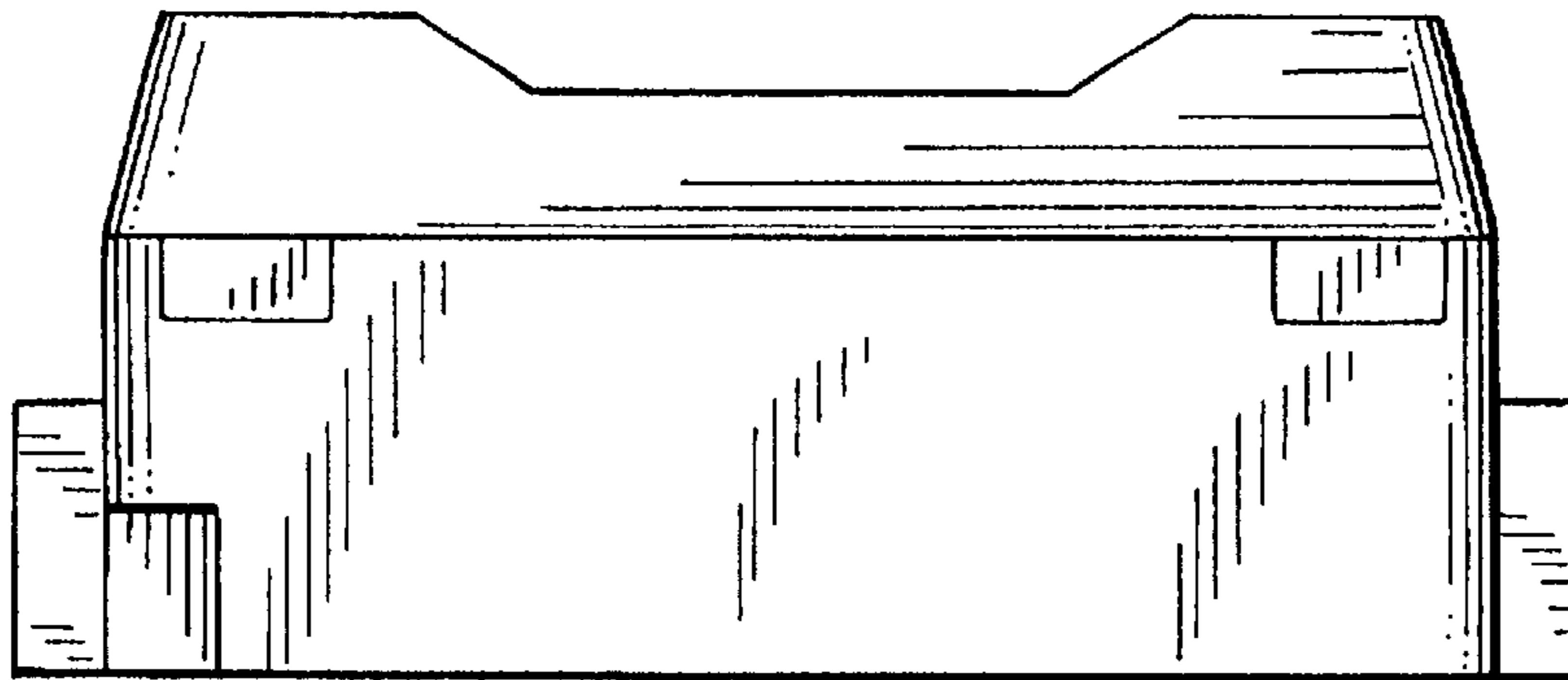
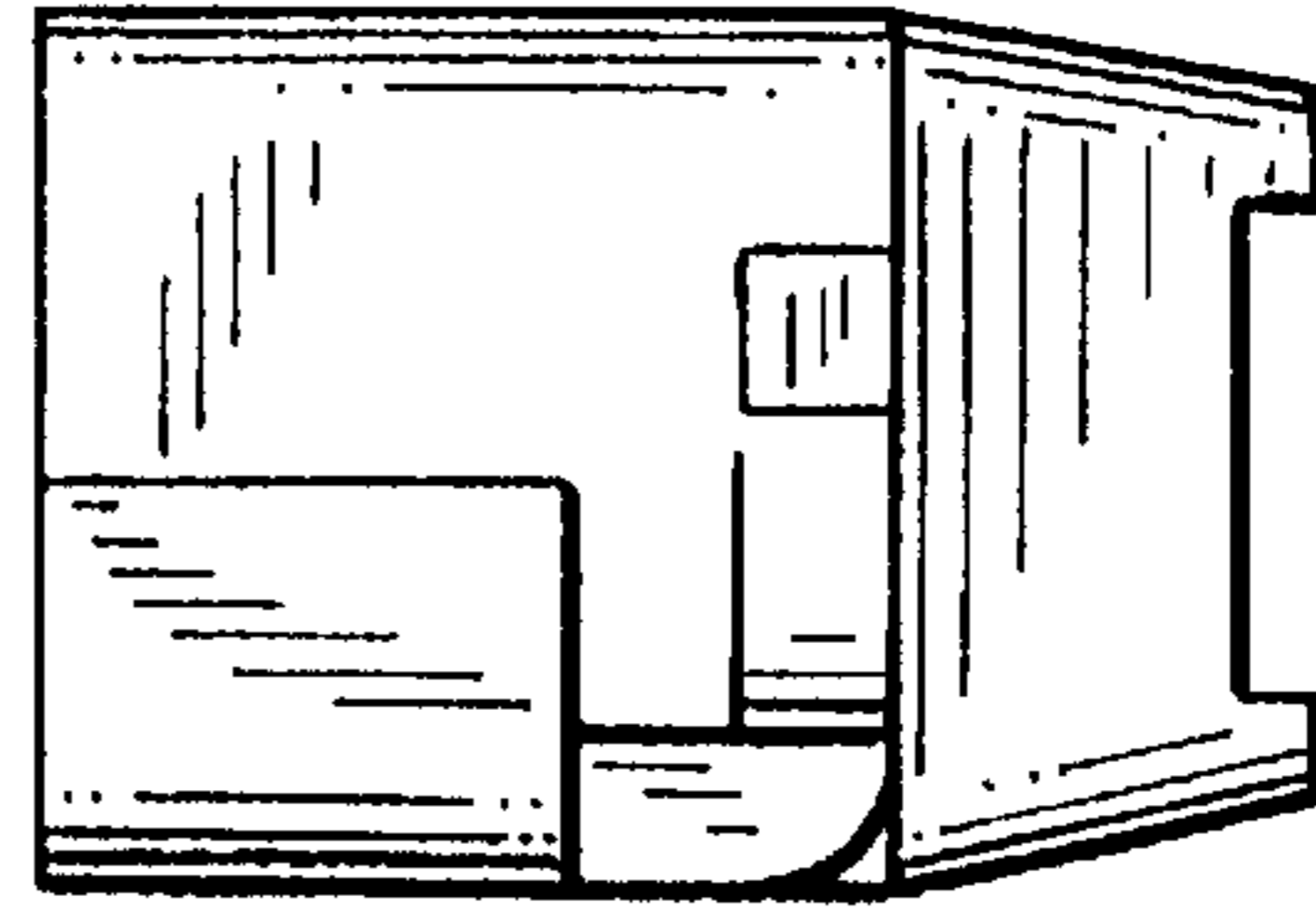


FIG. 6

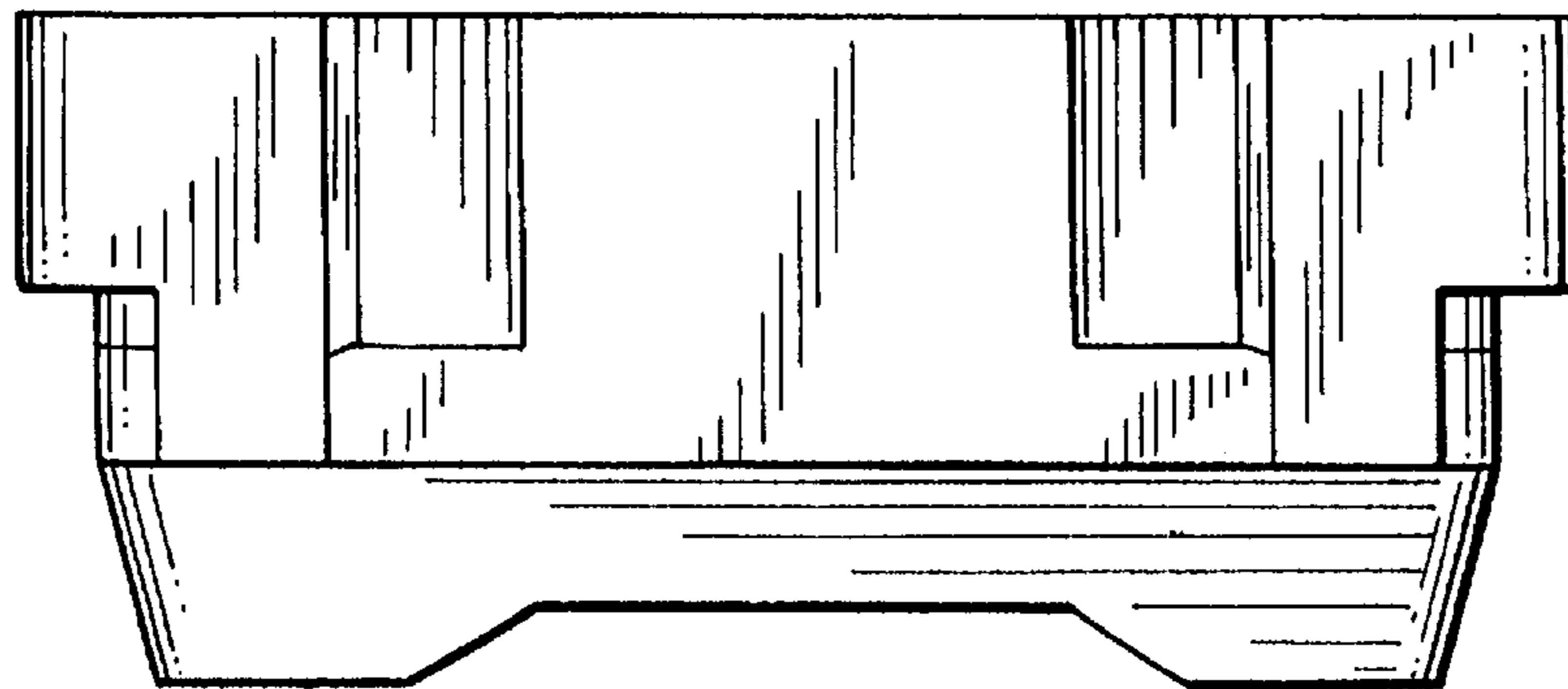


FIG. 7

UNITED STATES PATENT AND TRADEMARK OFFICE
CERTIFICATE OF CORRECTION

PATENT NO. : Des. 495,668 S
DATED : September 7, 2004
INVENTOR(S) : Kim et al.

Page 1 of 1

It is certified that error appears in the above-identified patent and that said Letters Patent is hereby corrected as shown below:

Title page,
Item [56], **References Cited**, FOREIGN PATENT DOCUMENTS, add
-- KR 30-0294490-7 02/2003 --.

Signed and Sealed this

Twentieth Day of September, 2005

A handwritten signature in black ink on a light gray dotted background. The signature reads "Jon W. Dudas" in a cursive style.

JON W. DUDAS

Director of the United States Patent and Trademark Office