



US00D495663S1

(12) **United States Design Patent**
Chawgo

(10) **Patent No.:** **US D495,663 S**

(45) **Date of Patent:** **** Sep. 7, 2004**

(54) **LOCKING TERMINATOR AND PORT CAP**

(75) **Inventor:** **Shawn M. Chawgo**, Liverpool, NY
(US)

(73) **Assignee:** **John Mezzalingua Associates, Inc.**,
East Syracuse, NY (US)

(**) **Term:** **14 Years**

(21) **Appl. No.:** **29/197,162**

(22) **Filed:** **Jan. 12, 2004**

(51) **LOC (7) Cl.** **13-03**

(52) **U.S. Cl.** **D13/156; D13/151**

(58) **Field of Search** D13/133, 151,
D13/154, 156; 439/322, 394, 578, 583,
585; 333/22 R, 185

(56) **References Cited**

U.S. PATENT DOCUMENTS

D45,358 S * 3/1914 Sloan D13/151

5,141,451 A * 8/1992 Down 439/585

5,857,865 A * 1/1999 Shimirak et al. 439/277

D475,975 S * 6/2003 Fox D13/151

6,716,062 B1 * 4/2004 Palinkas et al. 439/578

* cited by examiner

Primary Examiner—Joel Sincavage

(74) *Attorney, Agent, or Firm*—Wall, Marjama & Bilinski,
LLP

(57) **CLAIM**

The ornamental design for a locking terminator and port cap,
as shown and described.

DESCRIPTION

FIG. 1 is a front elevation view of my new design of the
locking terminator and port cap of the present invention;
FIG. 2 is a rear elevation view thereof;
FIG. 3 is a top plan view thereof, of which the bottom plan
view is a mirror image; and,
FIG. 4 is a perspective view thereof.

1 Claim, 2 Drawing Sheets

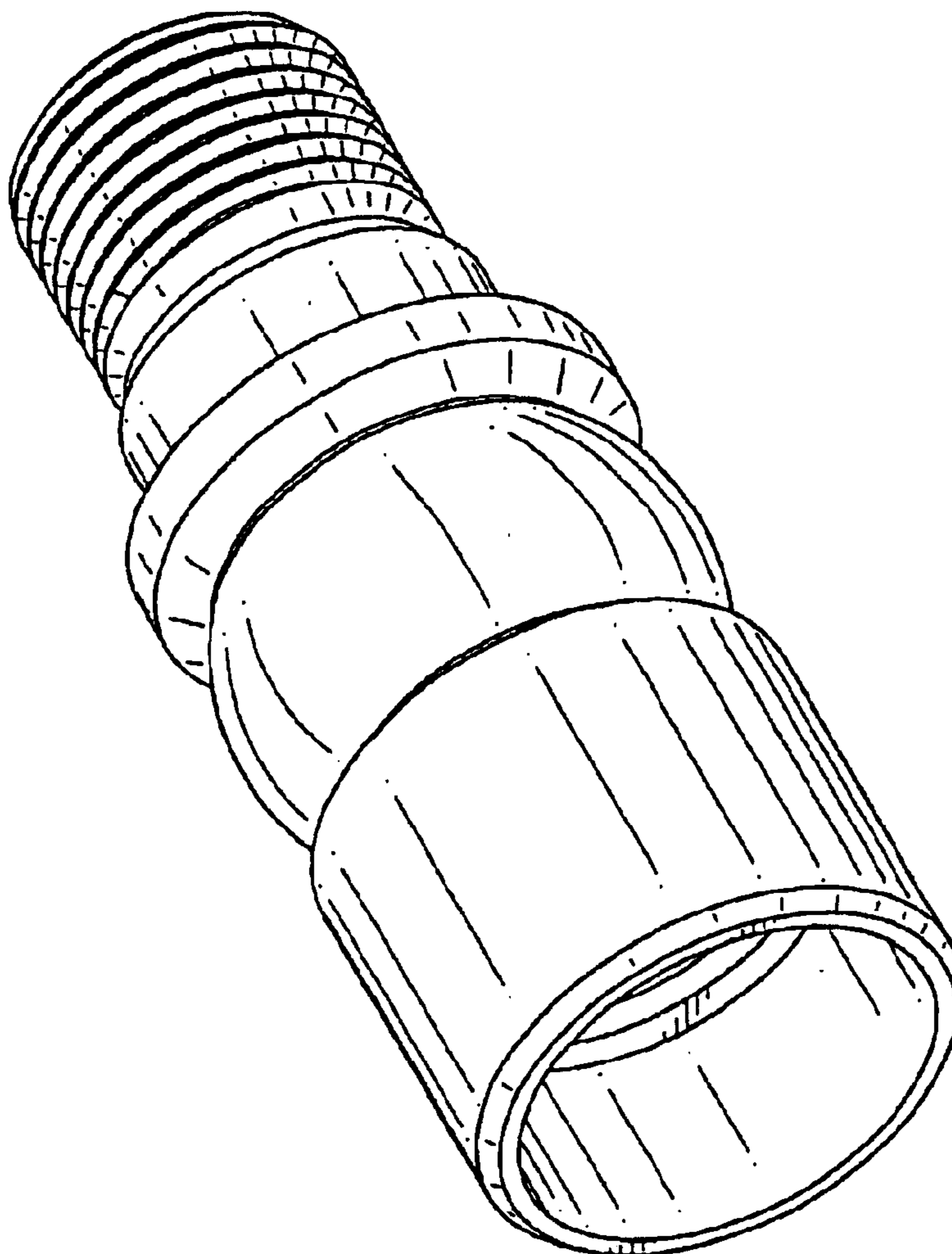


FIG.1

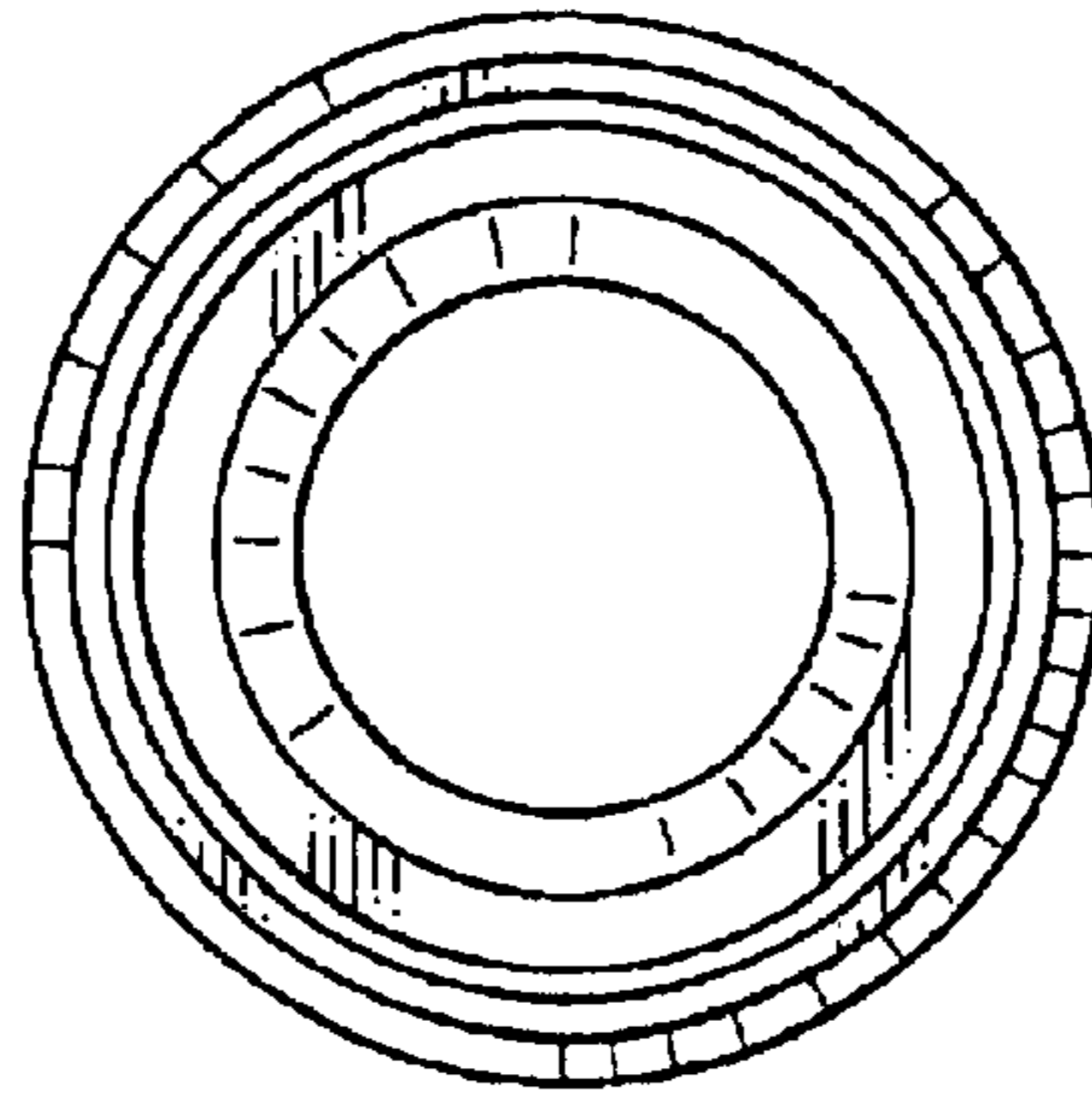


FIG.3

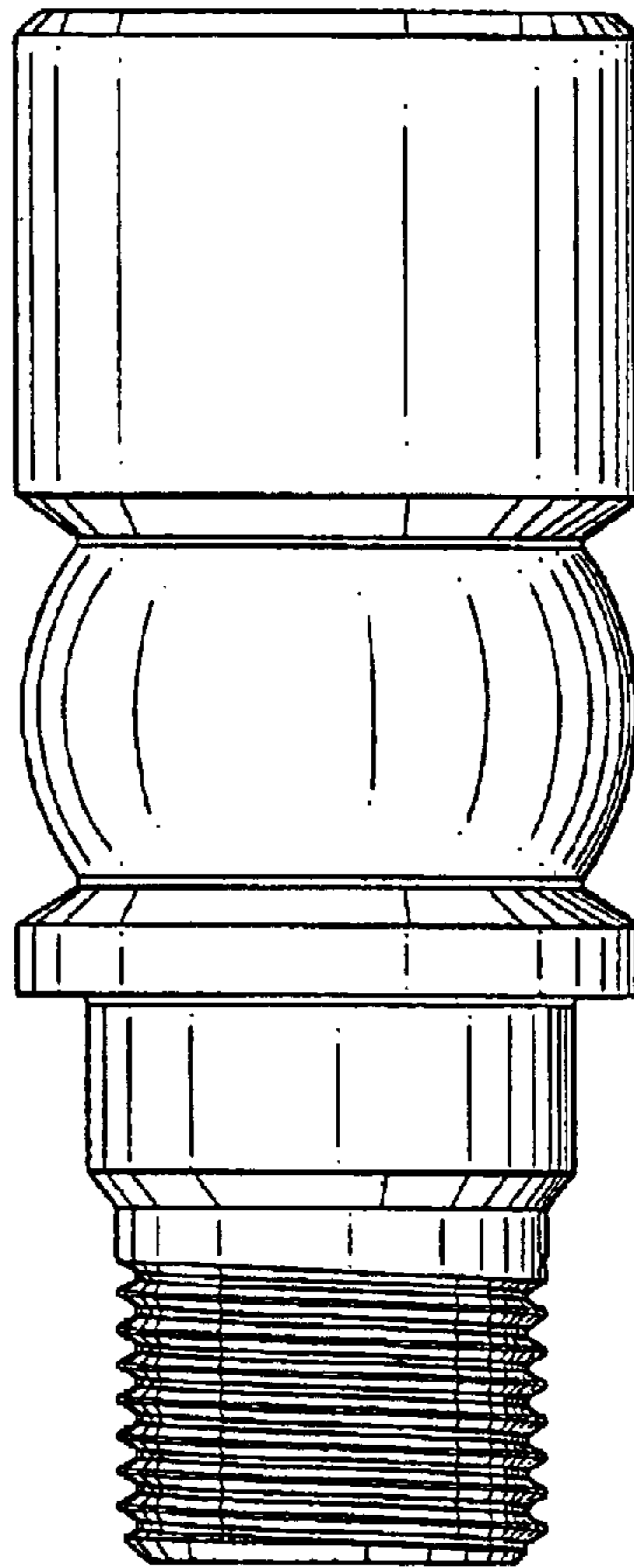
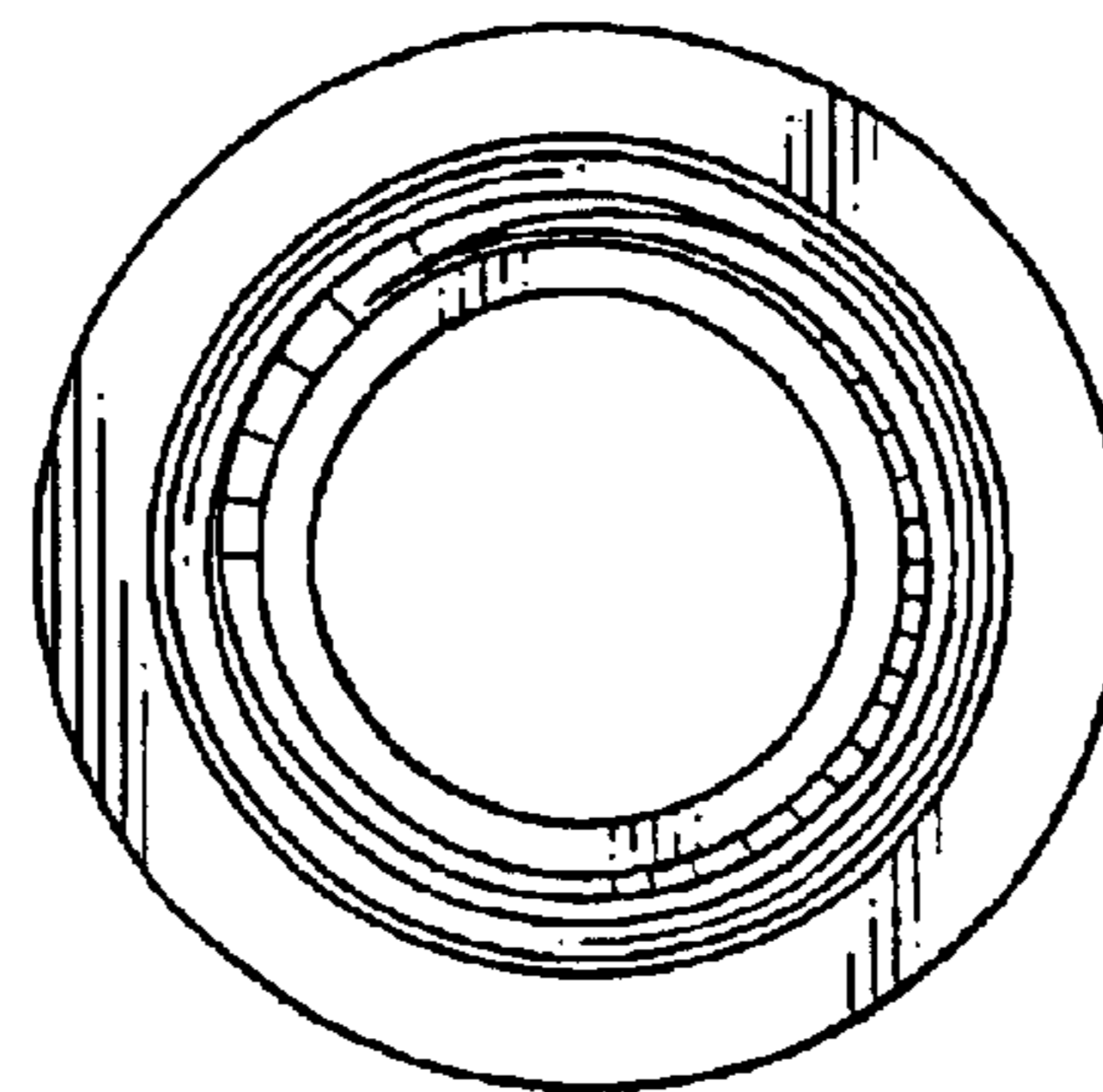


FIG.2



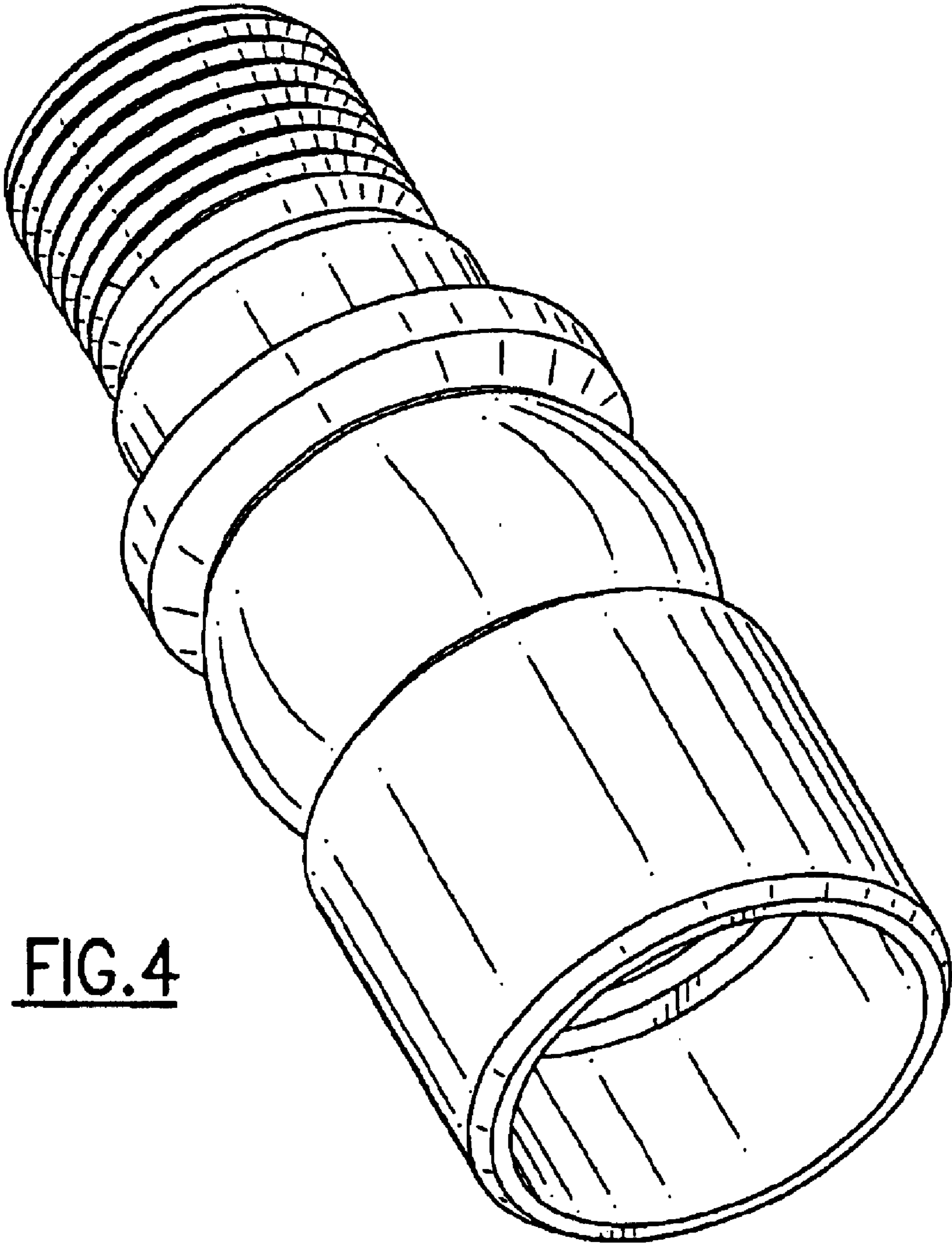


FIG. 4