

US00D495662S1

(12) **United States Design Patent**
Chawgo

(10) **Patent No.:** **US D495,662 S**

(45) **Date of Patent:** **** Sep. 7, 2004**

(54) **LOCKING TERMINATOR AND PORT CAP**

D432,090 S * 10/2000 Malak D13/154
6,491,546 B1 * 12/2002 Perry 439/620

(75) Inventor: **Shawn M. Chawgo**, Liverpool, NY
(US)

* cited by examiner

(73) Assignee: **John Mezzalingua Associates, Inc.**,
East Syracuse, NY (US)

Primary Examiner—Joel Sincavage
(74) *Attorney, Agent, or Firm*—Wall Marjama & Bilinski,
LLP

(**) Term: **14 Years**

(57) **CLAIM**

(21) Appl. No.: **29/197,161**

The ornamental design for a locking terminator and port cap,
as shown and described.

(22) Filed: **Jan. 12, 2004**

DESCRIPTION

(51) **LOC (7) Cl.** **13-03**

(52) **U.S. Cl.** **D13/156; D13/151**

(58) **Field of Search** D13/133, 151,
D13/154, 156; 439/322, 394, 578, 583,
585; 333/22 R, 185

FIG. 1 is a front elevation view of my new design of the
locking terminator and port cap of the present invention;
FIG. 2 is a rear elevation view thereof;
FIG. 3 is a top plan view thereof, of which the bottom plan
view is a mirror image; and,
FIG. 4 is a perspective view thereof.

(56) **References Cited**

U.S. PATENT DOCUMENTS

D331,567 S * 12/1992 Braga et al. D13/156

1 Claim, 2 Drawing Sheets

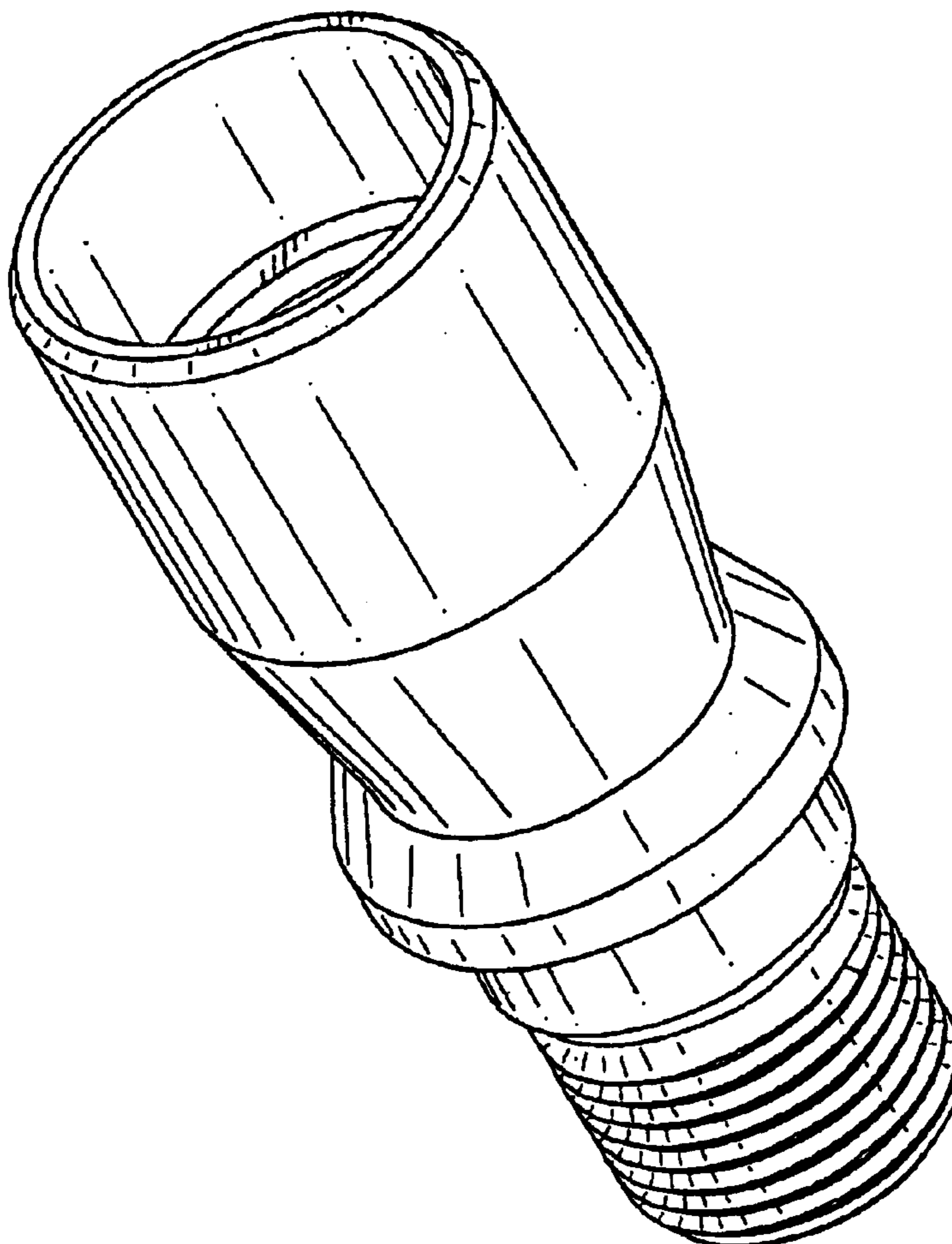


FIG.1

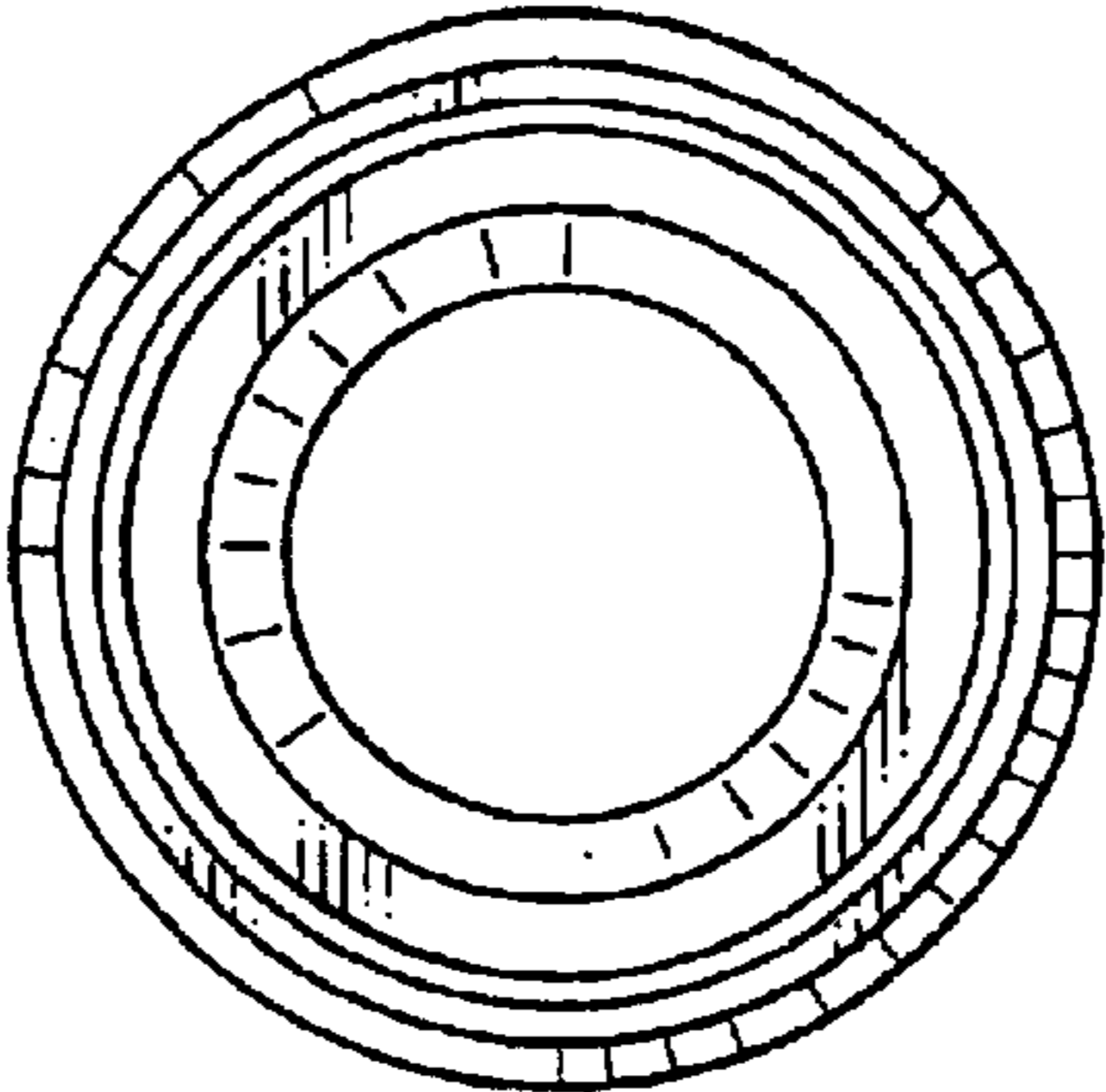


FIG.3

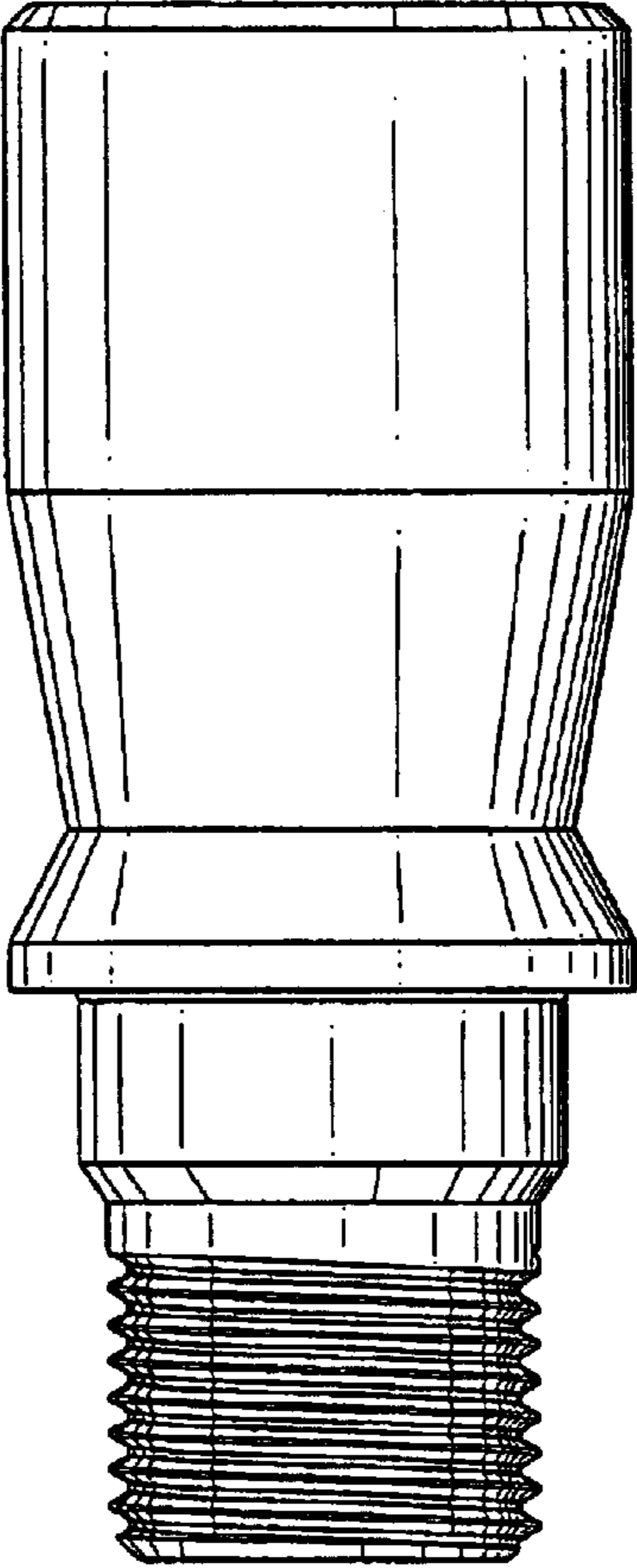
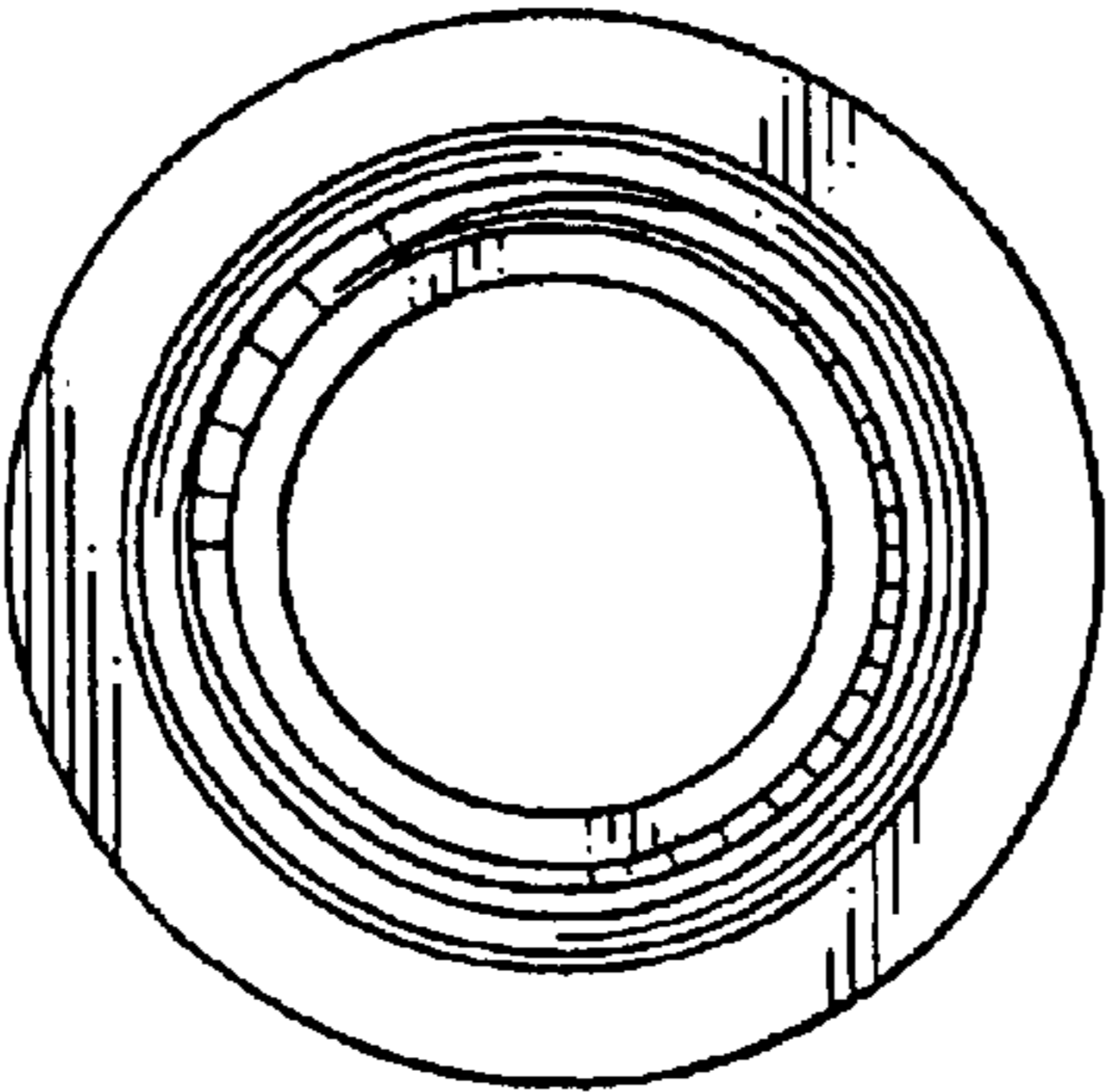


FIG.2



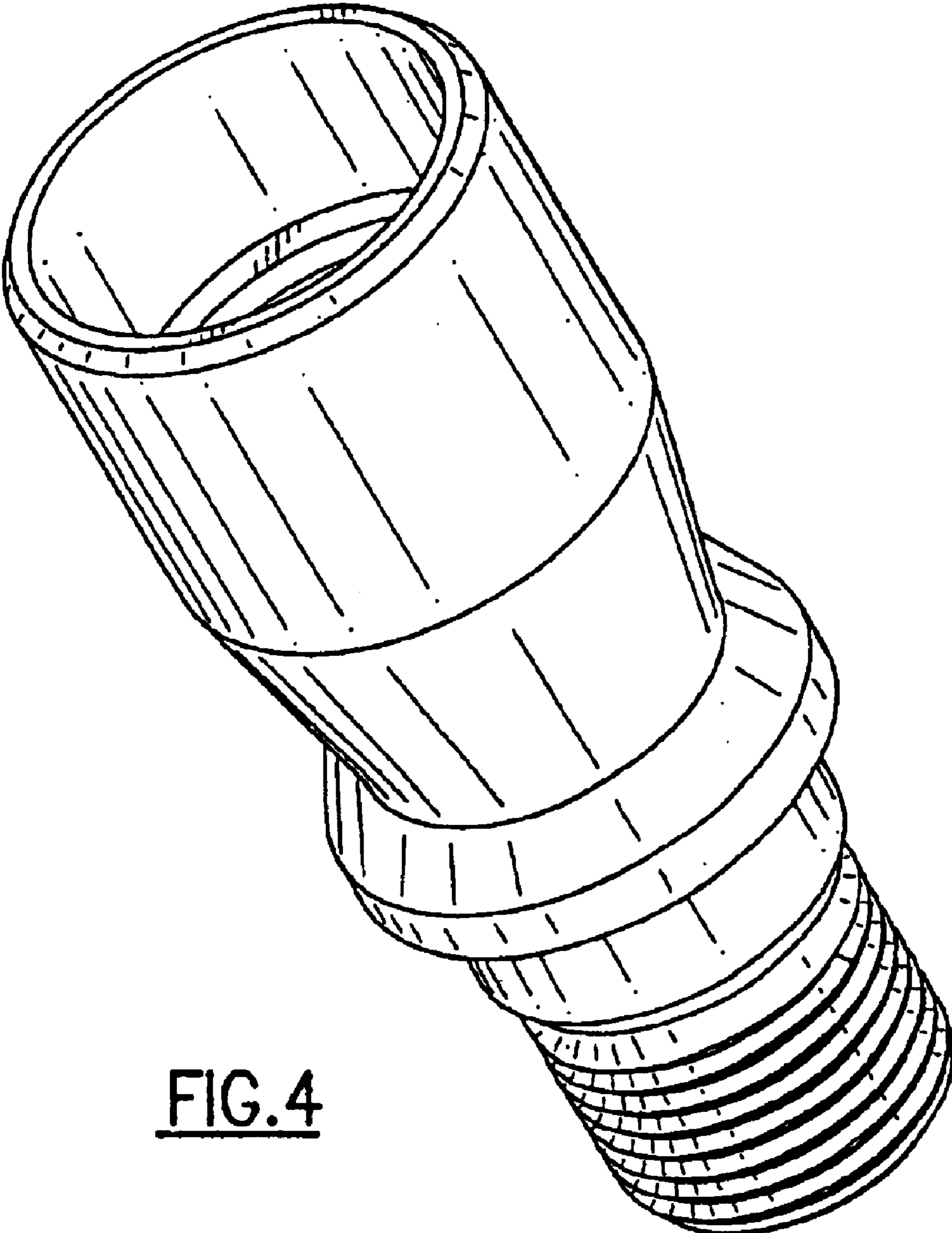


FIG. 4