

US00D495661S1

(12) **United States Design Patent**
Chawgo

(10) **Patent No.:** **US D495,661 S**

(45) **Date of Patent:** **** Sep. 7, 2004**

(54) **LOCKING TERMINATOR AND PORT CAP**

6,644,993 B2 * 11/2003 Victor 439/175
6,672,903 B1 * 1/2004 Chen 439/610

(75) **Inventor:** **Shawn Chawgo**, Liverpool, NY (US)

* cited by examiner

(73) **Assignee:** **John Mezzalingua Associates Inc.**,
East Syracuse, NY (US)

Primary Examiner—Joel Sincavage
(74) *Attorney, Agent, or Firm*—Wall, Marjama & Bilinski,
LLP

(**) **Term:** **14 Years**

(57) **CLAIM**

(21) **Appl. No.:** **29/188,567**

The ornamental design for a locking terminator and port cap,
as shown and described.

(22) **Filed:** **Aug. 20, 2003**

(51) **LOC (7) Cl.** **13-03**

DESCRIPTION

(52) **U.S. Cl.** **D13/156; D13/151**

(58) **Field of Search** D13/133, 151,
D13/154, 156; 439/322, 394, 578, 583,
585; 333/22 R, 185

FIG. 1 is a perspective view of my new design of a locking
terminator and port cap;
FIG. 2 is a side elevational view thereof, the other side view
being a mirror image thereof;
FIG. 3 is a top plan view thereof; and,
FIG. 4 is a bottom plan view thereof.

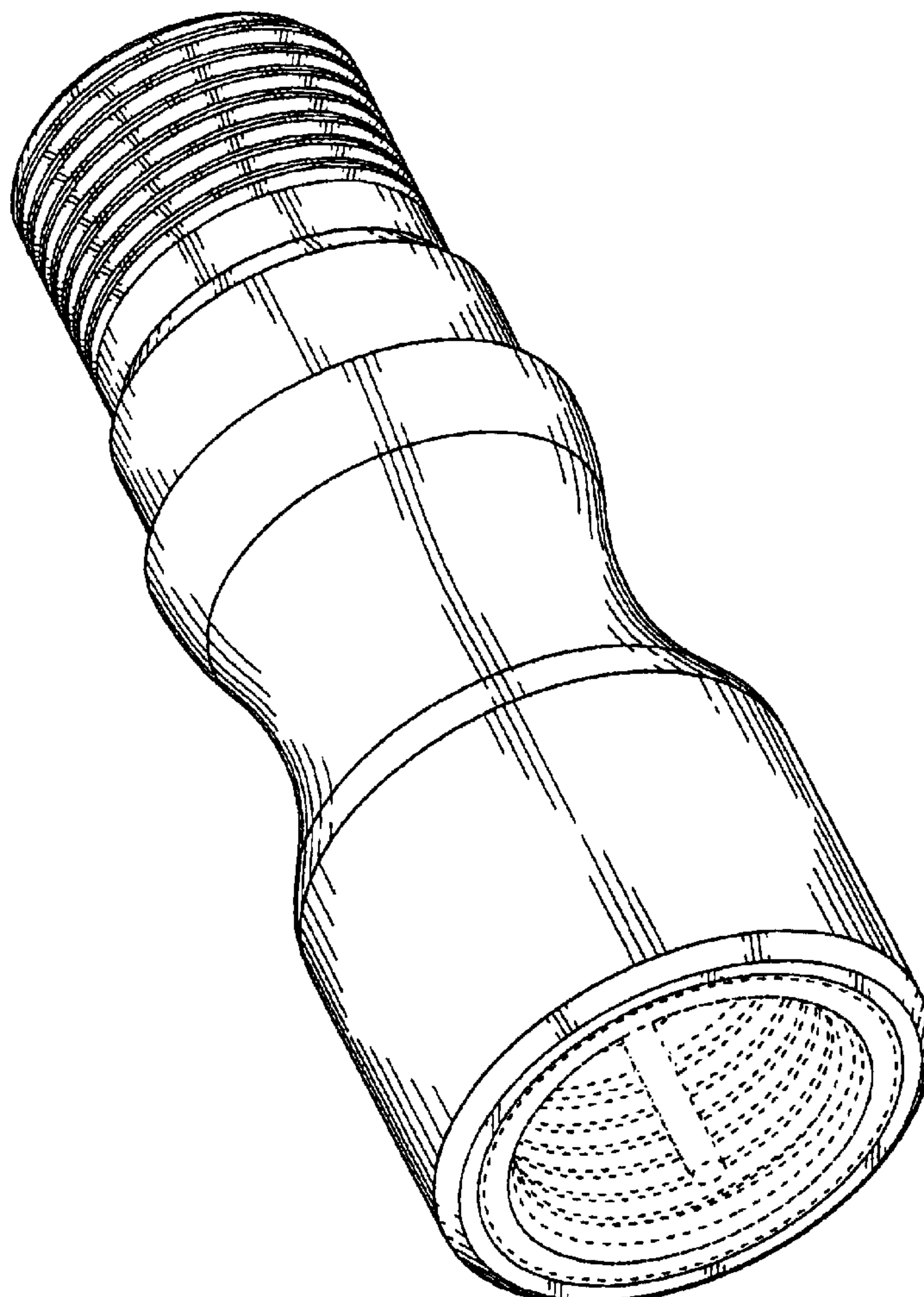
(56) **References Cited**

U.S. PATENT DOCUMENTS

5,066,248 A * 11/1991 Gaver et al. 439/578
6,491,546 B1 * 12/2002 Perry 439/620
D475,976 S * 6/2003 Montena D13/151
D475,977 S * 6/2003 Montena D13/151

The broken lines in FIGS. 1, 3 and 4 are included for the
purpose of illustrating portions of the terminator and port
cap that form no part of the claimed design.

1 Claim, 3 Drawing Sheets



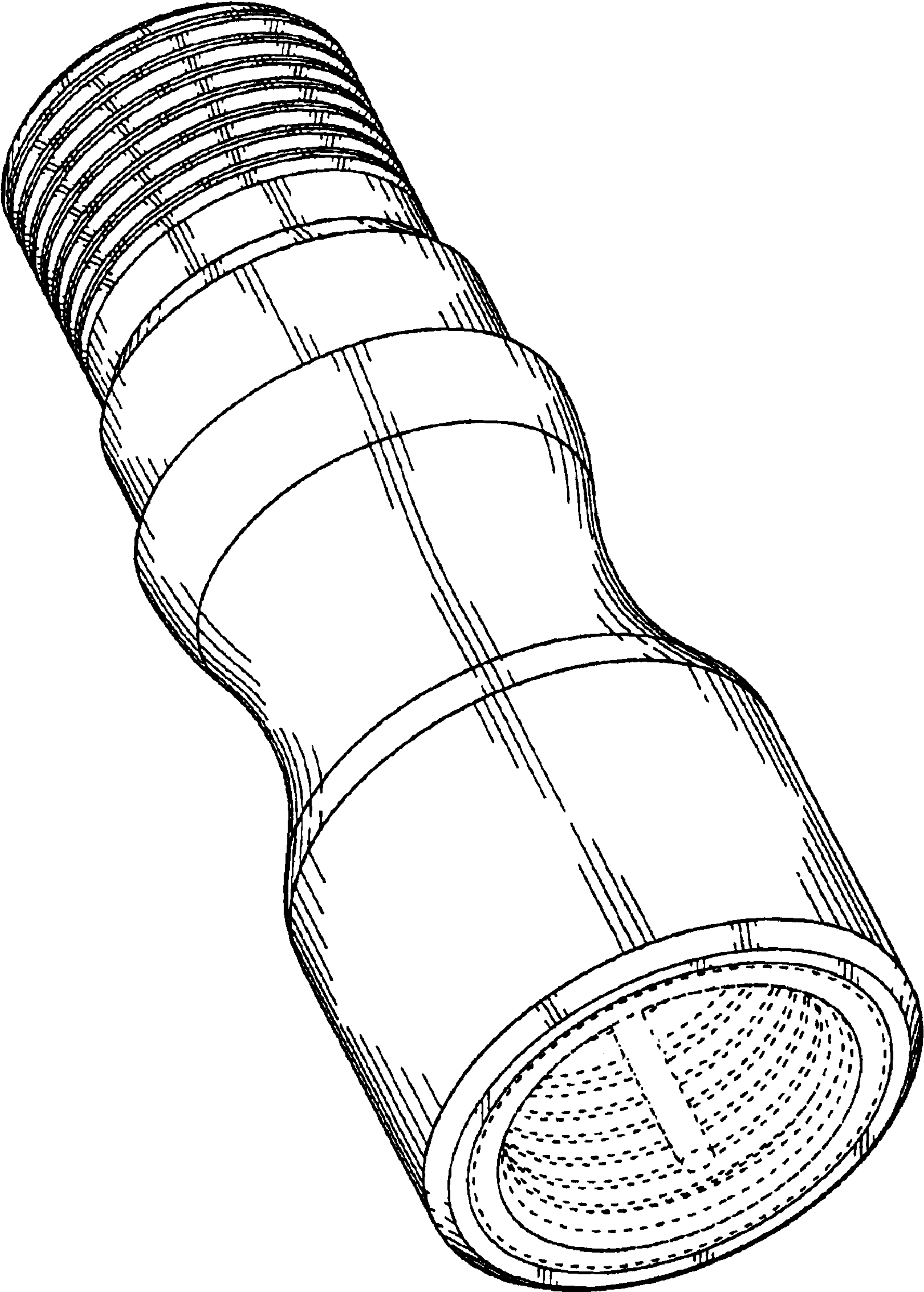


FIG. 1

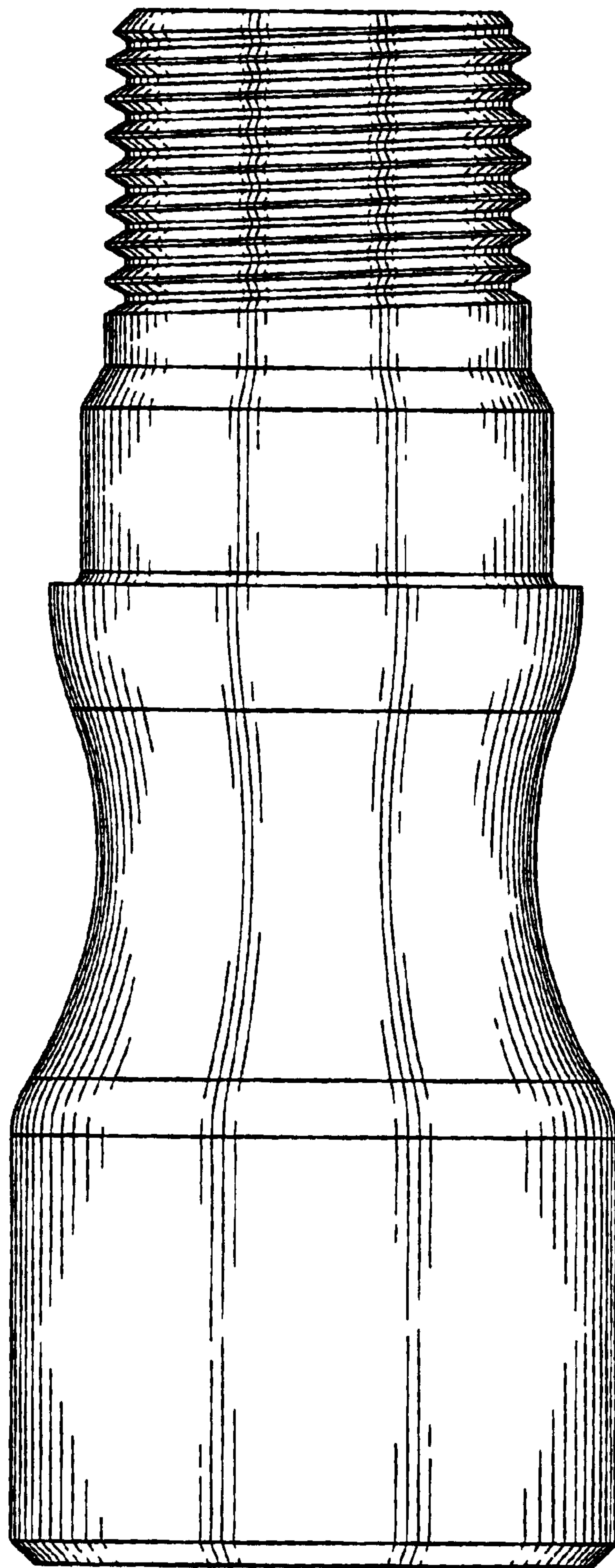


FIG. 2

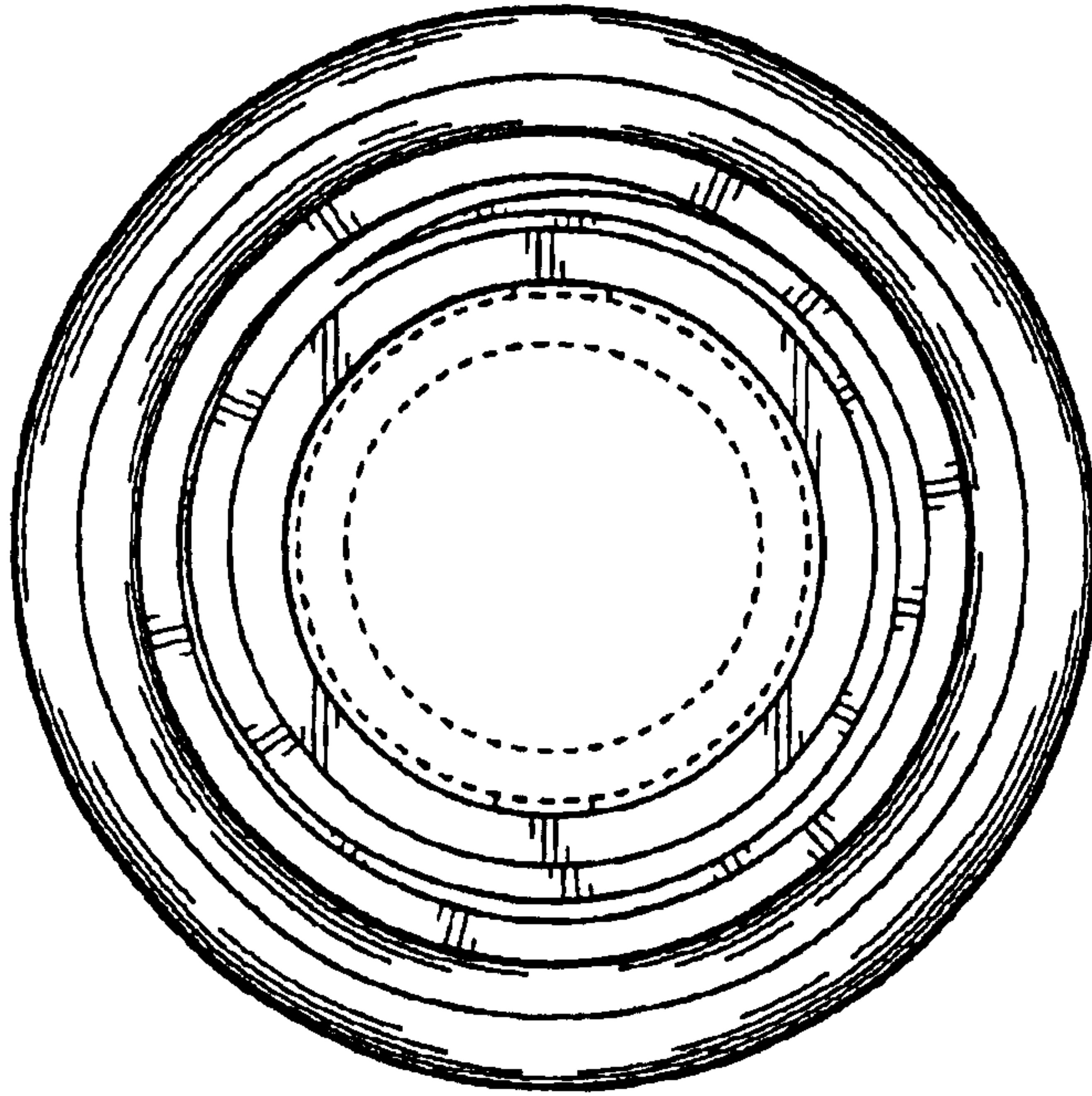


FIG. 3

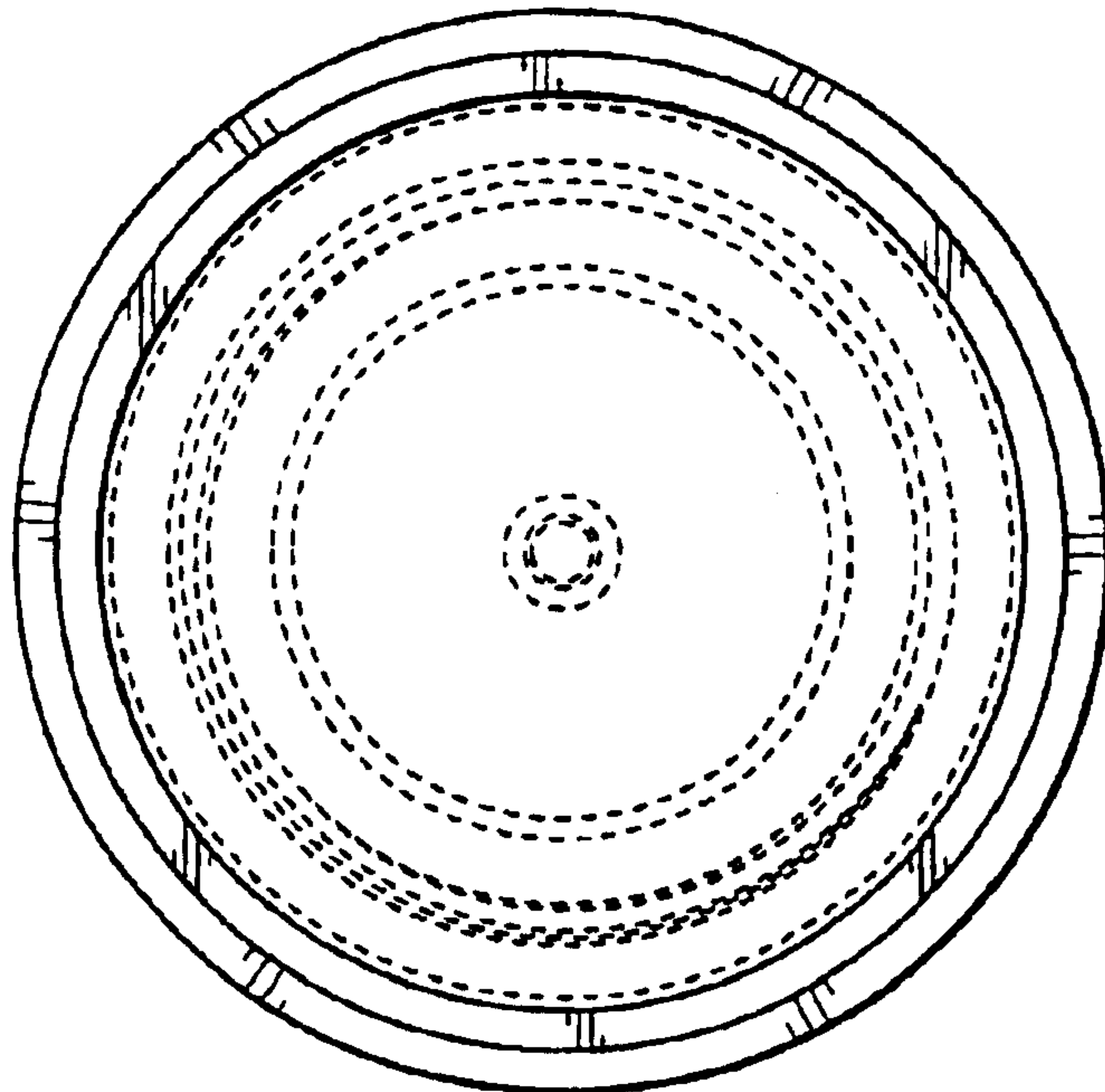


FIG. 4