



US00D495659S1

(12) **United States Design Patent**
Shimaya et al.

(10) **Patent No.:** **US D495,659 S**

(45) **Date of Patent:** **** Sep. 7, 2004**

(54) **CONNECTOR FOR OPTICAL WIRING**

(75) Inventors: **Kenichi Shimaya**, Hirakata (JP);
Yoshiaki Kanbe, Nara (JP); **Tsutomu Shimomura**, Toyonaka (JP)

(73) Assignee: **Matsushita Electric Works, Ltd.** (JP)

(**) Term: **14 Years**

(21) Appl. No.: **29/178,406**

(22) Filed: **Mar. 25, 2003**

(30) **Foreign Application Priority Data**

Sep. 25, 2002 (JP) 2002-026210

(51) **LOC (7) Cl.** **13-03**

(52) **U.S. Cl.** **D13/147**

(58) **Field of Search** D13/133, 146,
D13/147; 250/227.24, 51.9; 385/56, 59,
88, 93; 439/63, 79, 188, 544, 541.5, 581,
607, 668, 669, 675

(56) **References Cited**

U.S. PATENT DOCUMENTS

D308,421 S * 6/1990 Westphal et al. D25/124

D312,613 S * 12/1990 Shichida D13/133

5,904,578 A * 5/1999 Kubota et al. 439/63
6,074,218 A * 6/2000 Wu et al. 439/63
6,305,947 B1 * 10/2001 Bruce 439/63
6,471,546 B1 * 10/2002 Zhu et al. 439/607
6,540,551 B1 * 4/2003 Wang 439/541.5
6,676,443 B1 * 1/2004 Wang 439/541.5

* cited by examiner

Primary Examiner—Prabhakah Deshmukh

Assistant Examiner—Selina Sikder

(74) *Attorney, Agent, or Firm*—Osha & May L.L.P.

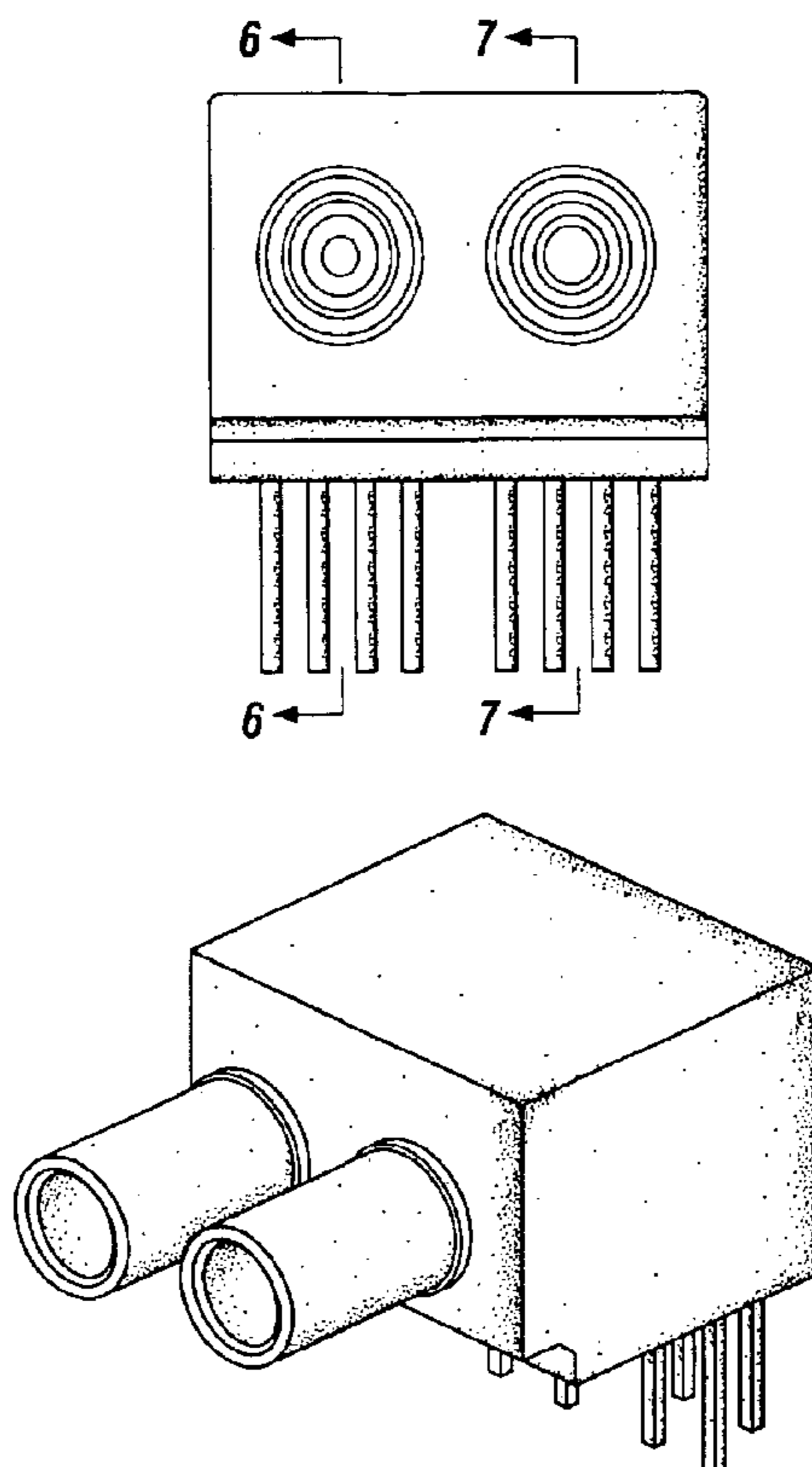
(57) **CLAIM**

The ornamental design for a connector for optical wiring, as shown and described.

DESCRIPTION

FIG. 1 is a front elevation view of the connector for optical wiring showing my new design; FIG. 2 a rear elevation view thereof; FIG. 3 is a top plan view thereof; FIG. 4 is a bottom plan view thereof; FIG. 5 is a right side elevation view thereof; FIG. 6 is a cross-section of FIG. 1 along the 6—6 line; FIG. 7 is a cross-section of FIG. 1 along the 7—7 line; and, FIG. 8 is a perspective view thereof.

1 Claim, 3 Drawing Sheets



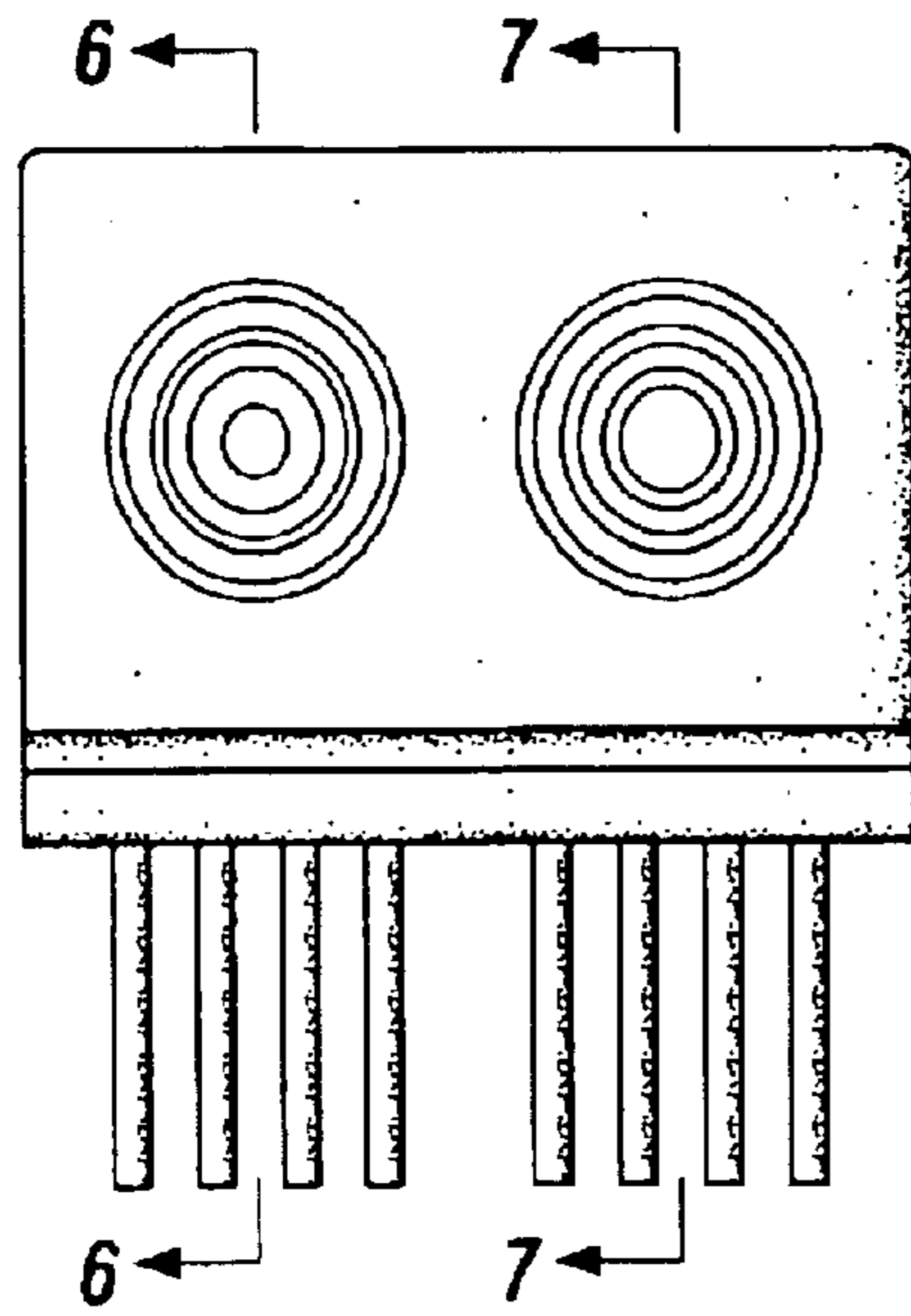


FIG. 1

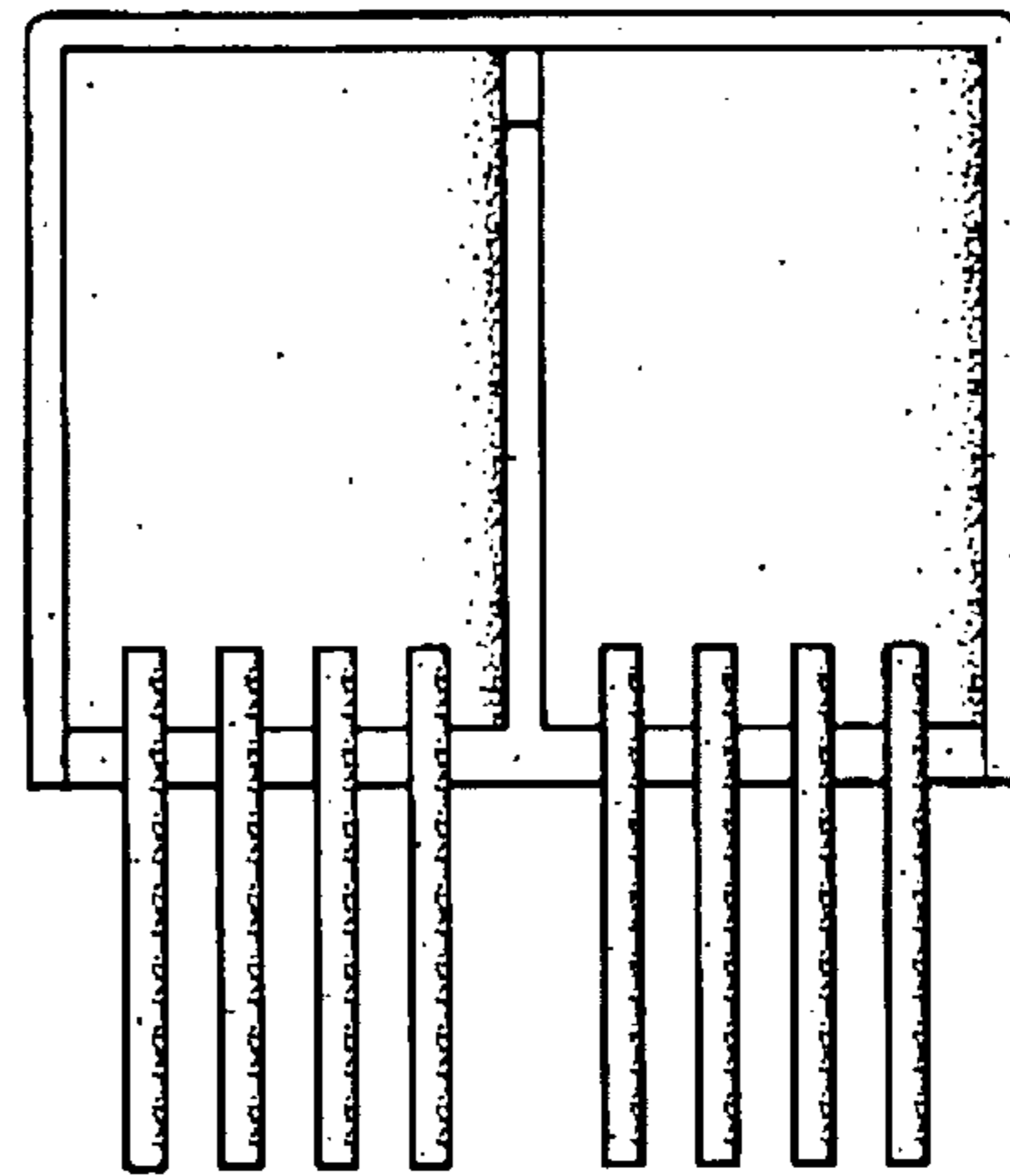


FIG. 2

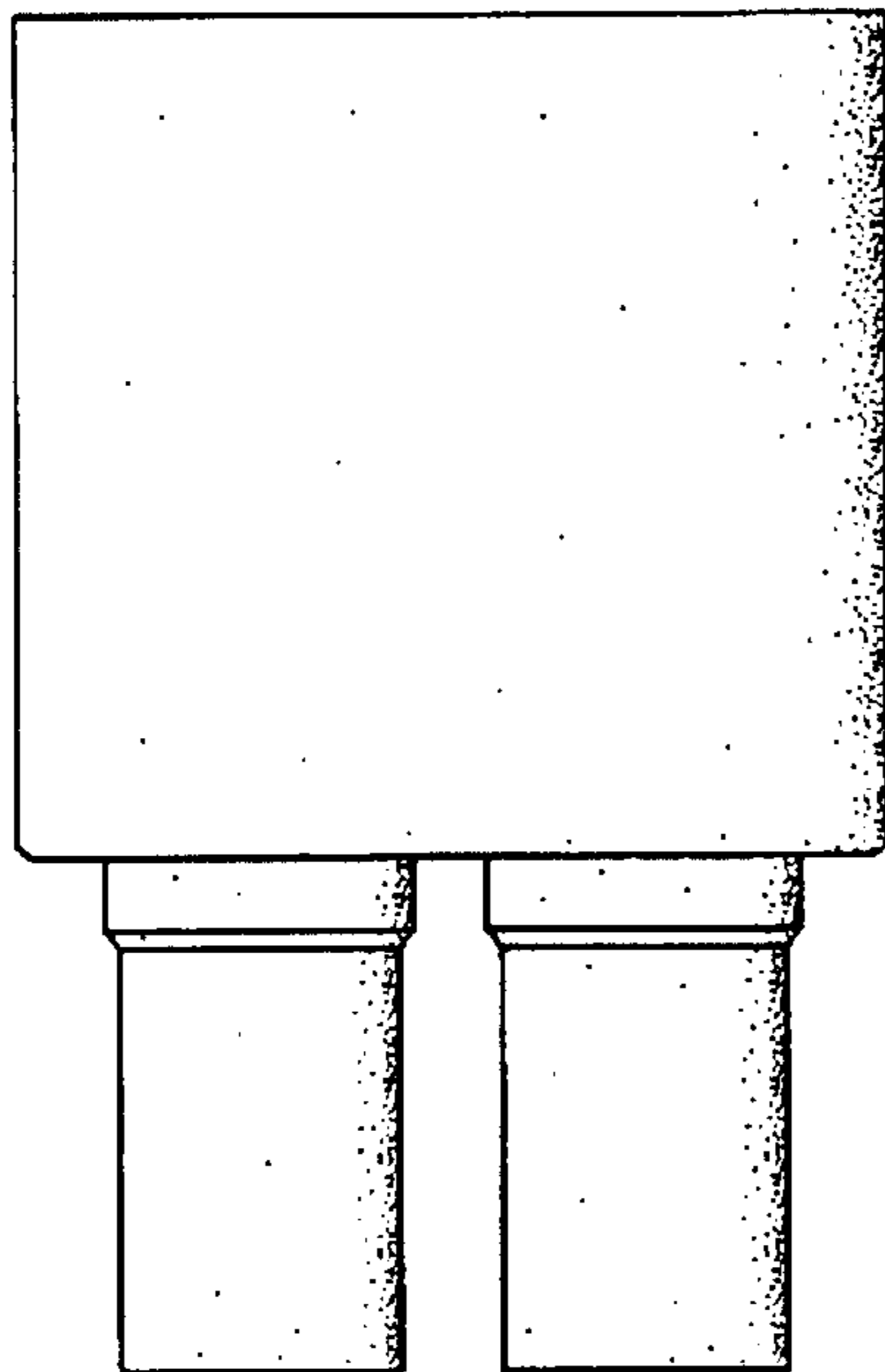


FIG. 3

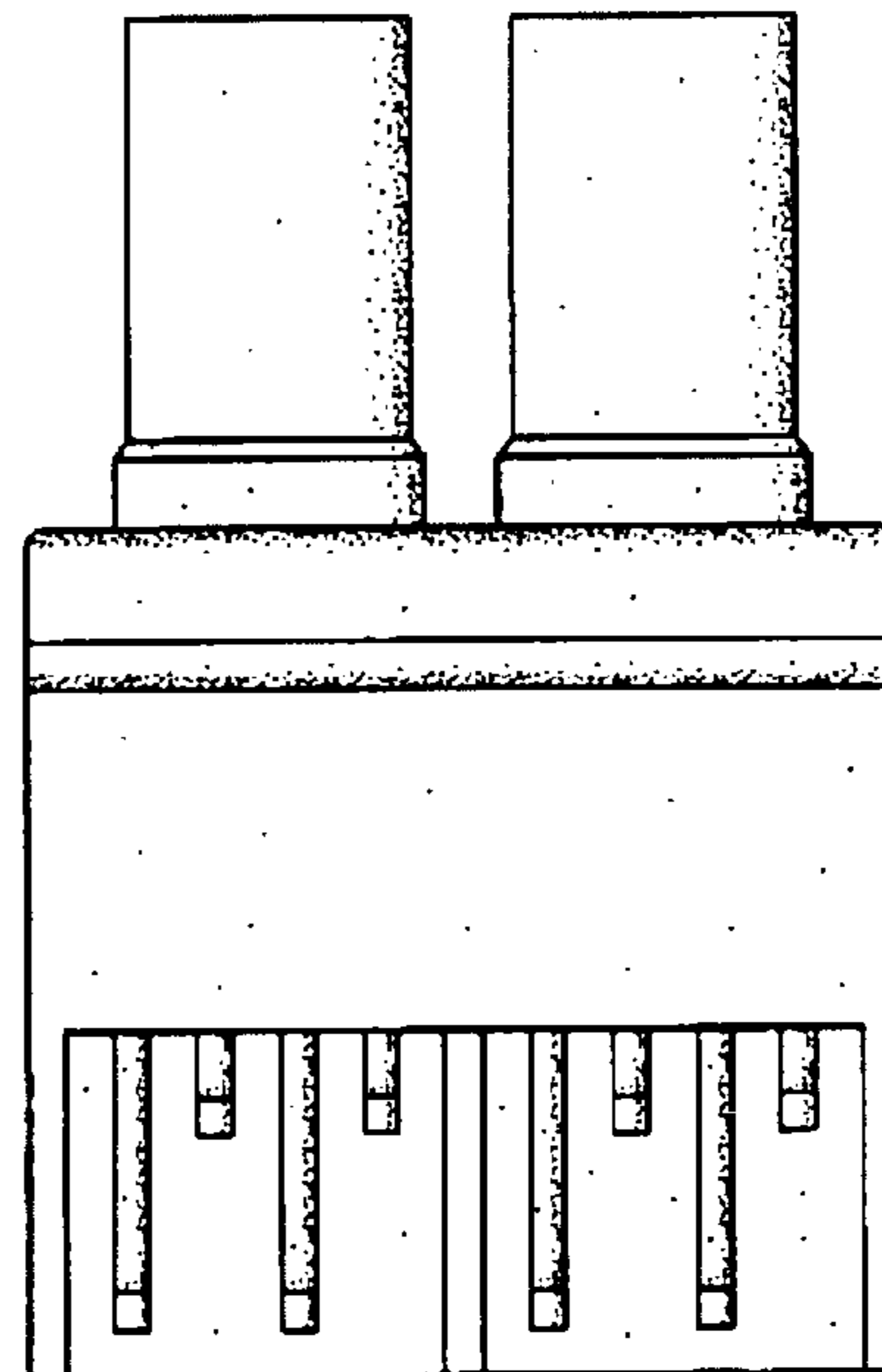


FIG. 4

FIG. 5

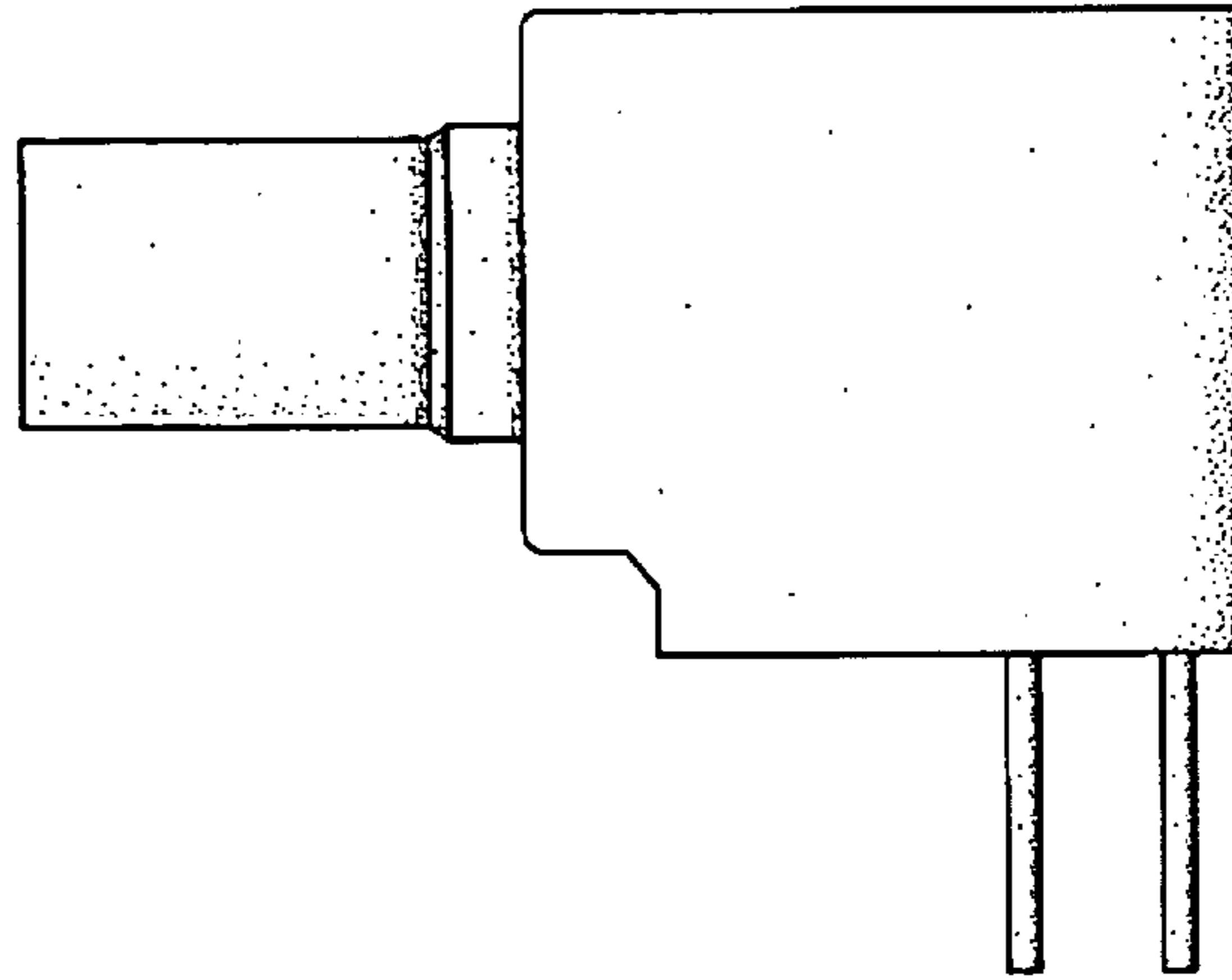


FIG. 6

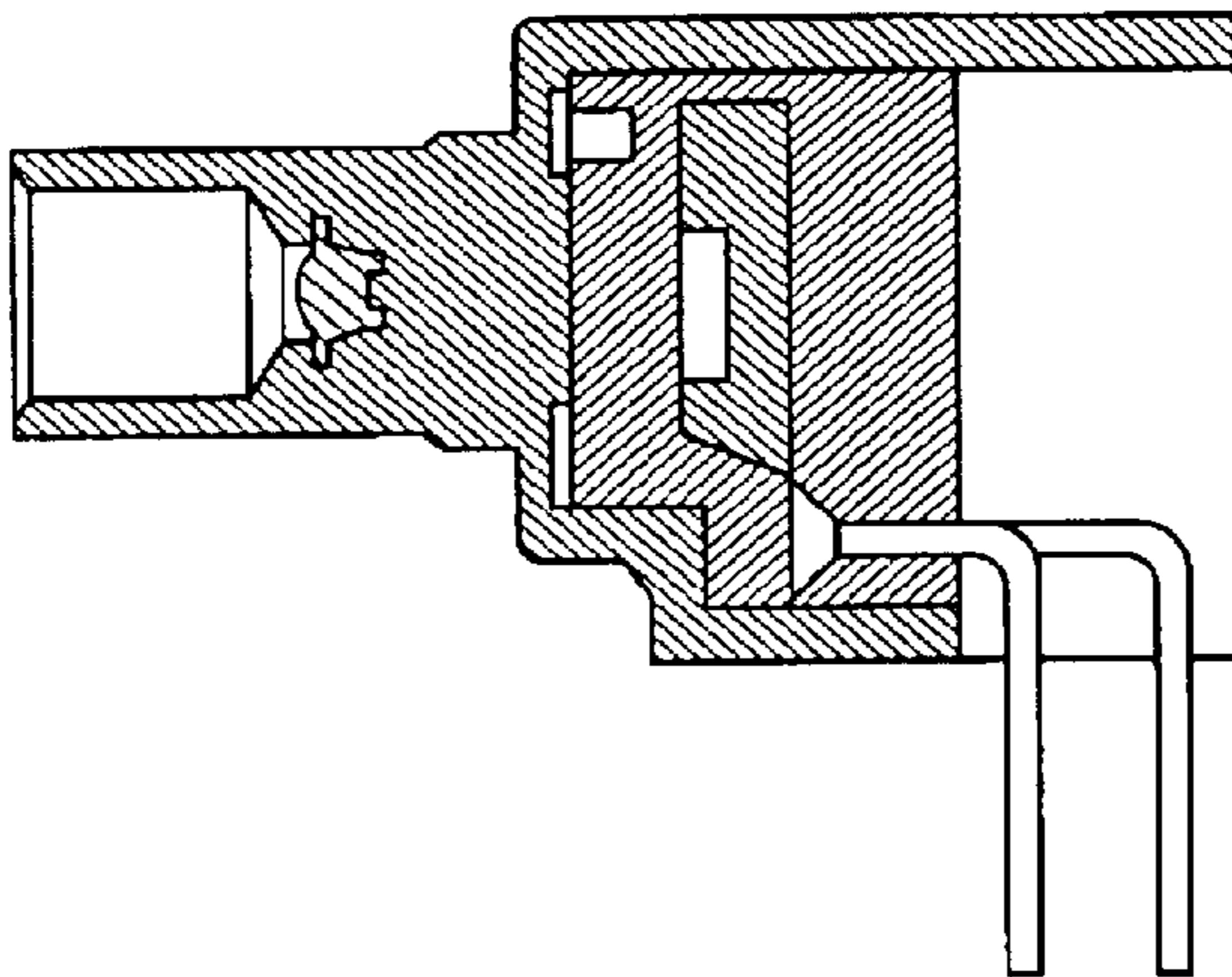
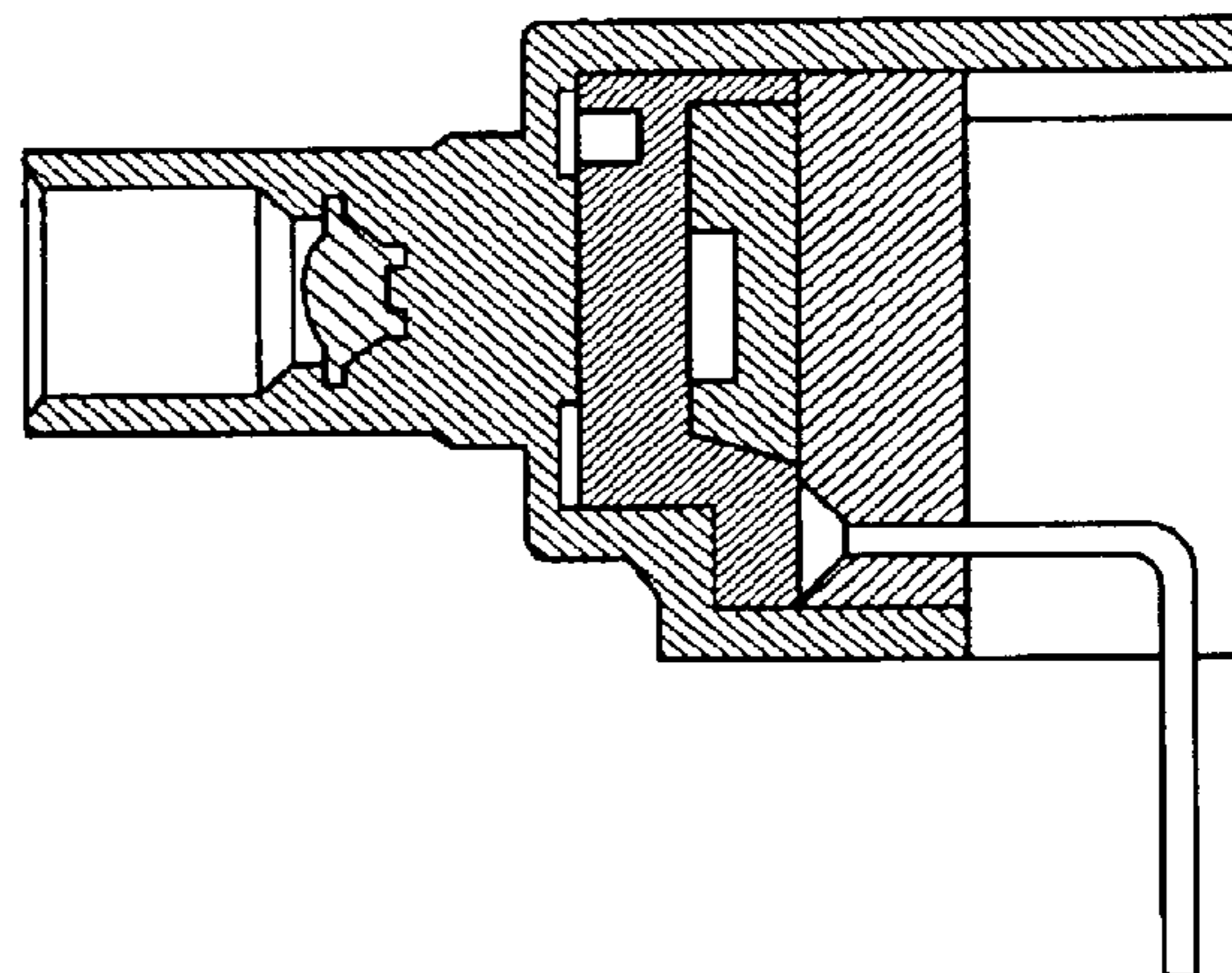


FIG. 7



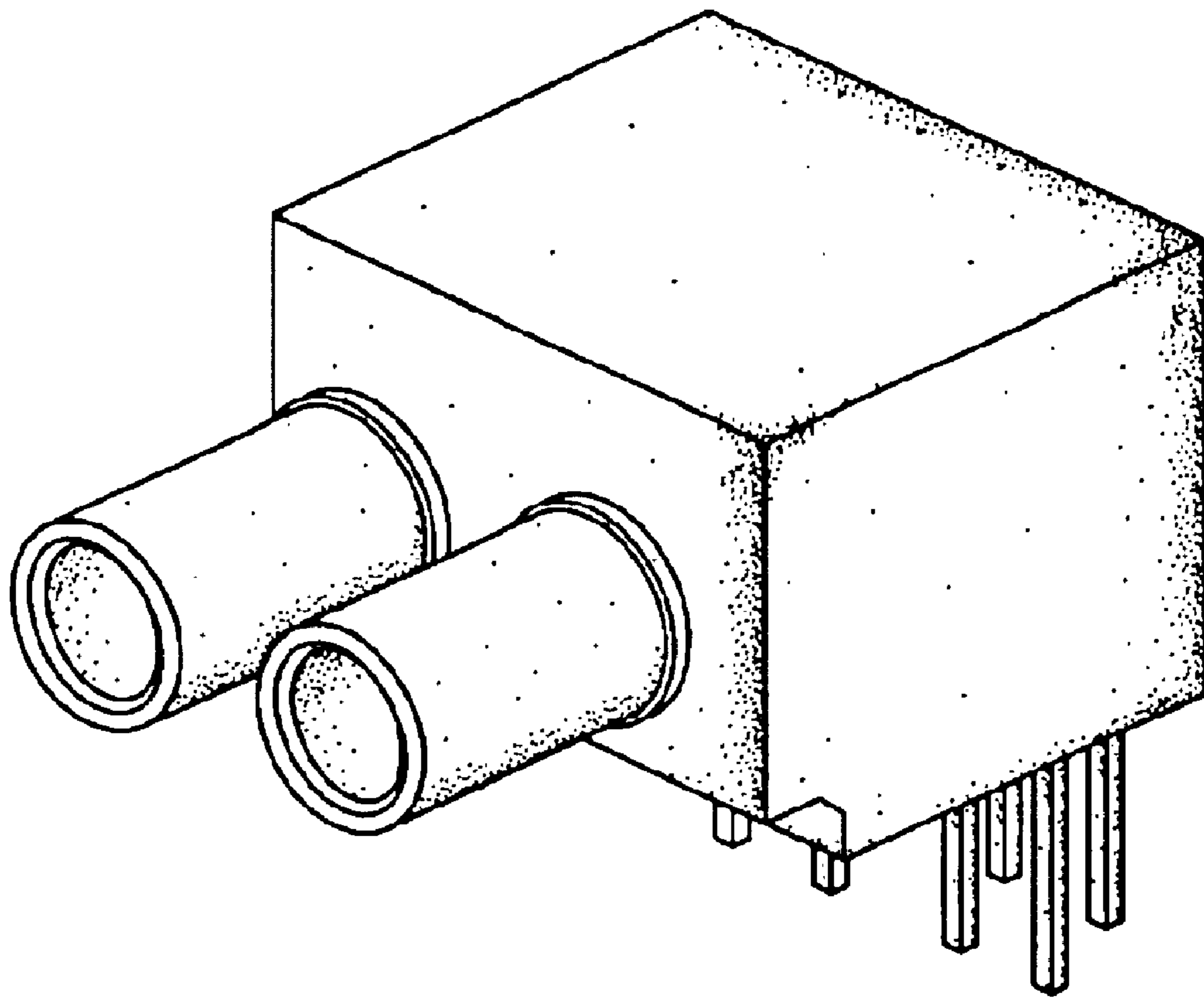


FIG. 8