

US00D495654S1

(12) **United States Design Patent**
Elwell et al.

(10) **Patent No.: US D495,654 S**
(45) **Date of Patent: ** Sep. 7, 2004**

(54) **END STANCHION FOR VEHICULAR
TUBULAR SIDE RAIL**

(75) Inventors: **James P. Elwell**, Ankeny, IA (US); **Ben
F. Conkey**, Nevada, IA (US)

(73) Assignee: **Putco, Inc.**, Story City, IA (US)

(**) Term: **14 Years**

(21) Appl. No.: **29/195,255**

(22) Filed: **Dec. 8, 2003**

(51) **LOC (7) Cl.** **12-16**

(52) **U.S. Cl.** **D12/414**

(58) **Field of Search** D12/414, 406,
D12/412, 414.1; 296/3, 100, 37.1, 37.7;
224/321-327, 329-330, 315-316, 400,
309; 280/848, 769, 760-762, 727

(56) **References Cited**

U.S. PATENT DOCUMENTS

D250,464 S	*	12/1978	Bott	D12/414
D258,280 S	*	2/1981	Mareydt	D12/414
D294,340 S	*	2/1988	Robson	D12/414
D297,628 S	*	9/1988	Robson	D12/414
D325,552 S	*	4/1992	Stapleton et al.	D12/414
D359,943 S	*	7/1995	Cucheran et al.	D12/414
D382,533 S		8/1997	Oakland		

D396,029 S	*	7/1998	Cucheran et al.	D12/414
D401,548 S	*	11/1998	Egly	D12/414
D406,095 S	*	2/1999	Denny et al.	D12/414
D410,430 S	*	6/1999	Stapleton et al.	D12/414
D417,186 S	*	11/1999	Egly	D12/414
D422,554 S	*	4/2000	Stapleton et al.	D12/414

* cited by examiner

Primary Examiner—Stacia Cadmus

(74) *Attorney, Agent, or Firm*—McKee, Voorhees & Sease,
P.L.C.

(57) **CLAIM**

The ornamental design for an end stanchion for vehicular tubular side rail, as shown and described.

DESCRIPTION

FIG. 1 is a perspective view of the end stanchion for vehicle tubular side rail.

FIG. 2 is a front elevational view thereof.

FIG. 3 is a top elevational view thereof.

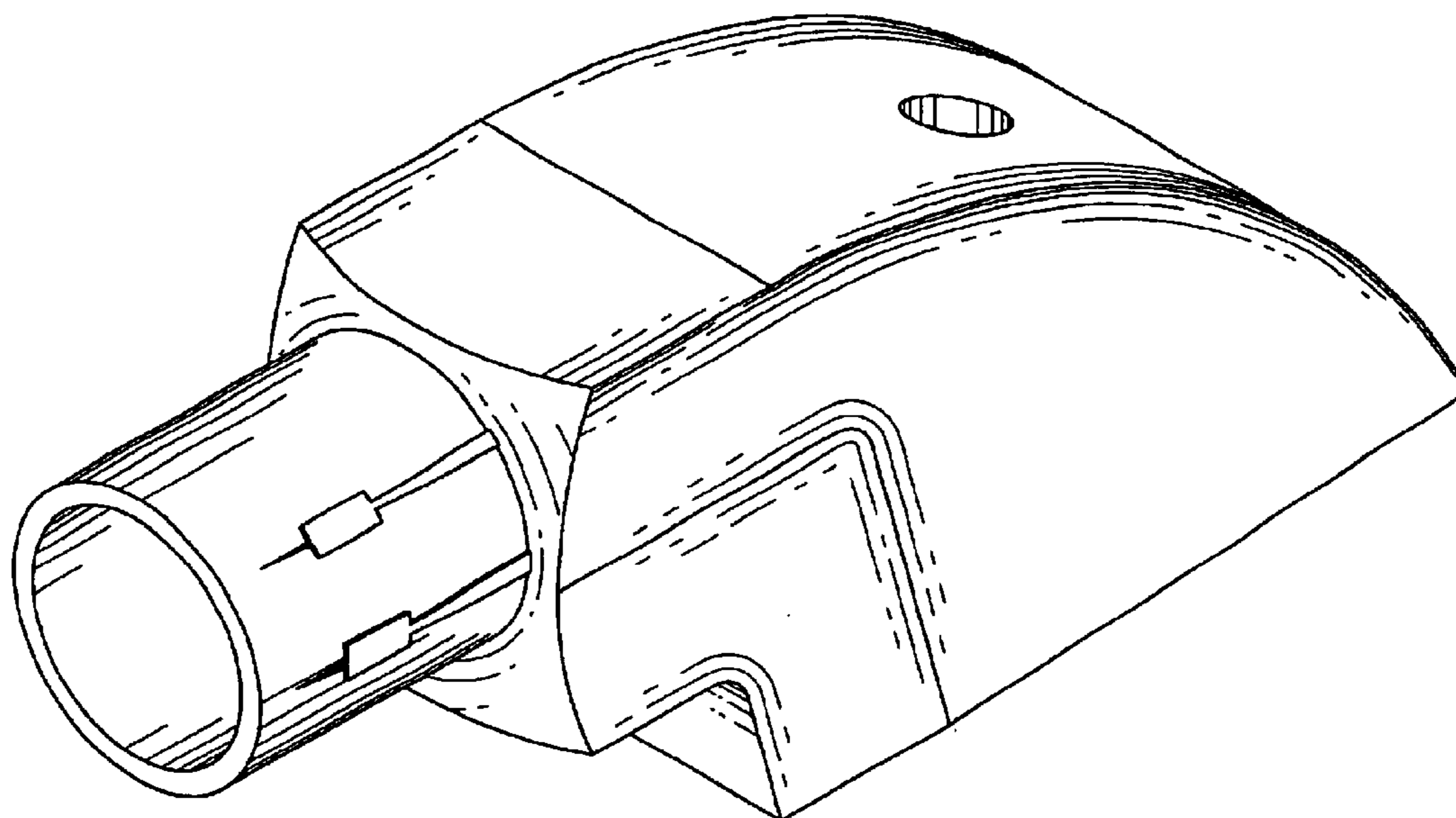
FIG. 4 is an end elevational view thereof taken from the left end of FIG. 2.

FIG. 5 is an end elevational view taken from the right of FIG. 2.

FIG. 6 is a bottom plan view thereof; and,

FIG. 7 is a perspective view showing the bottom of the end stanchion for vehicular tubular side rail.

1 Claim, 3 Drawing Sheets



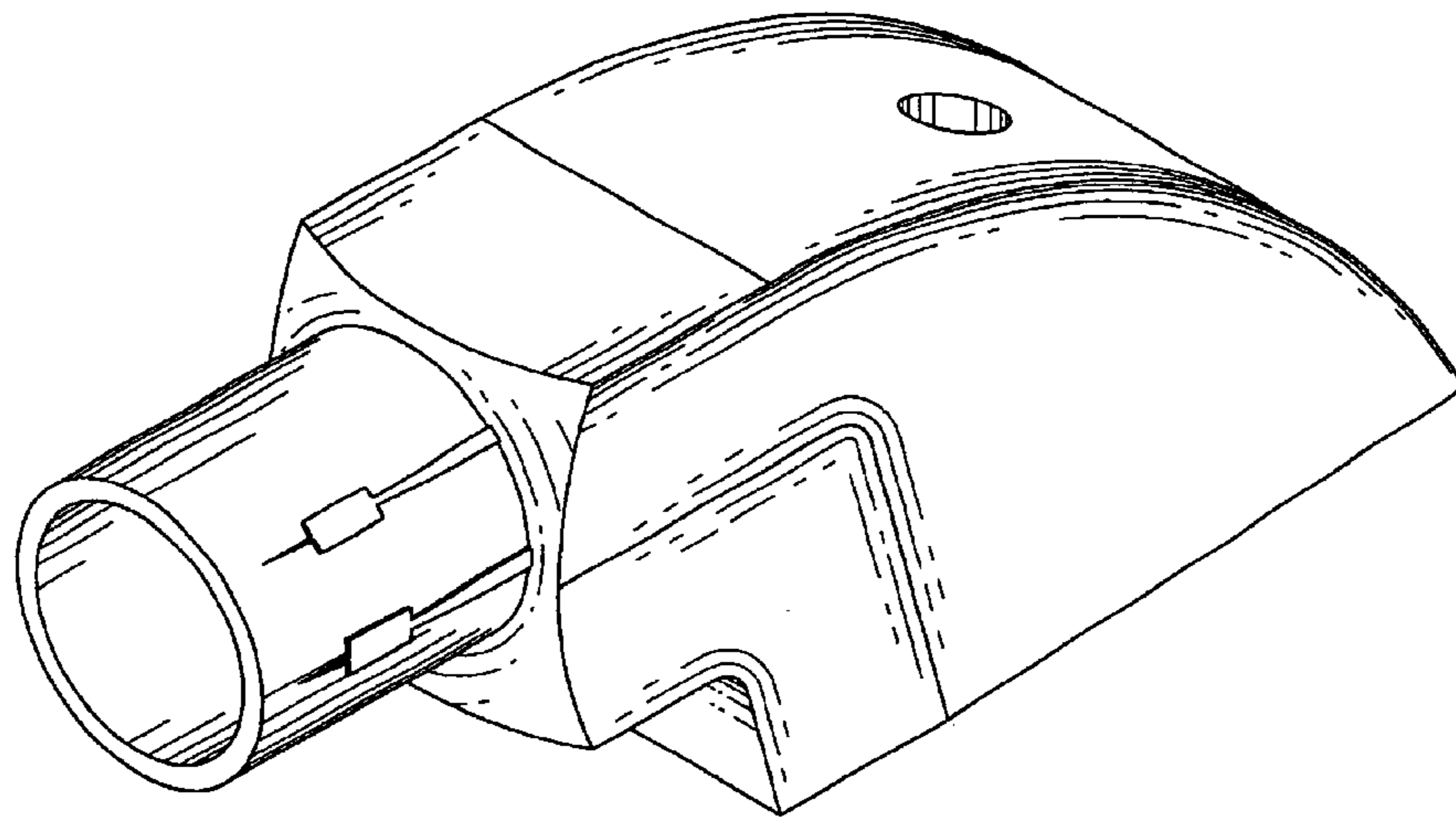


Fig. 1

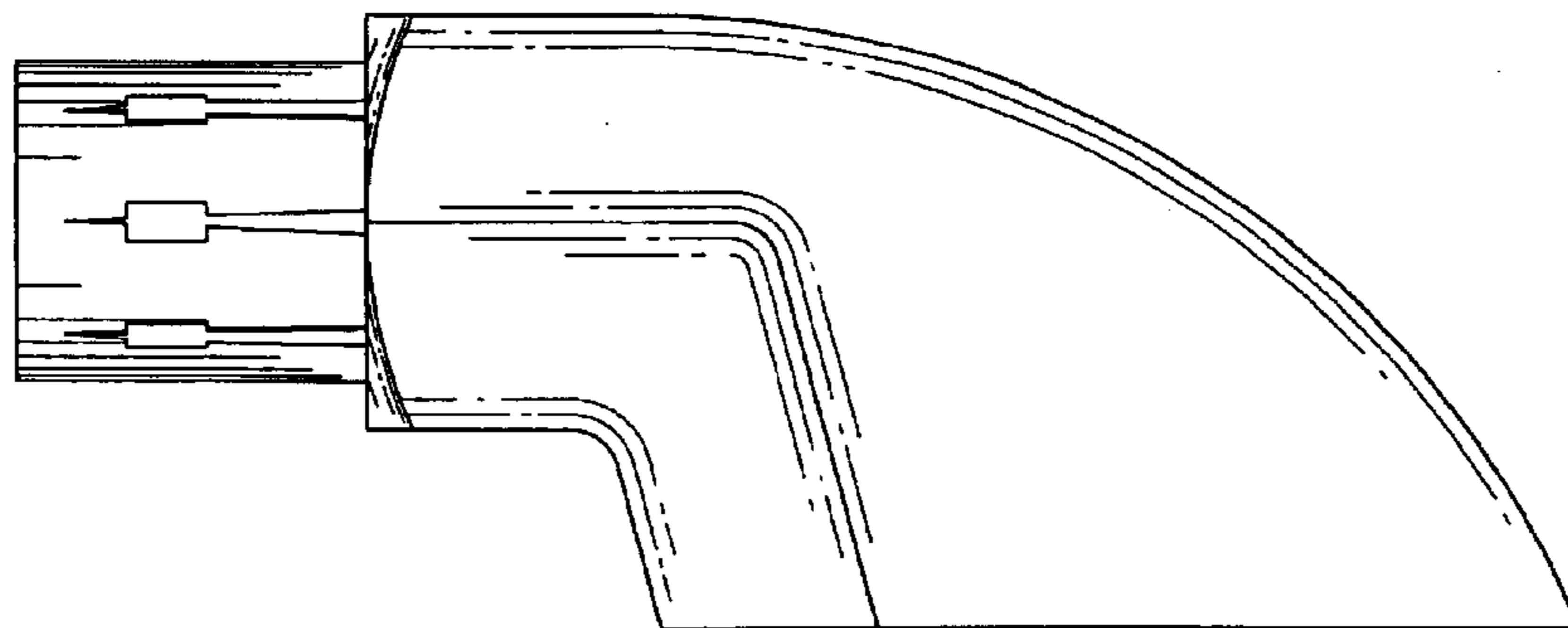


Fig. 2

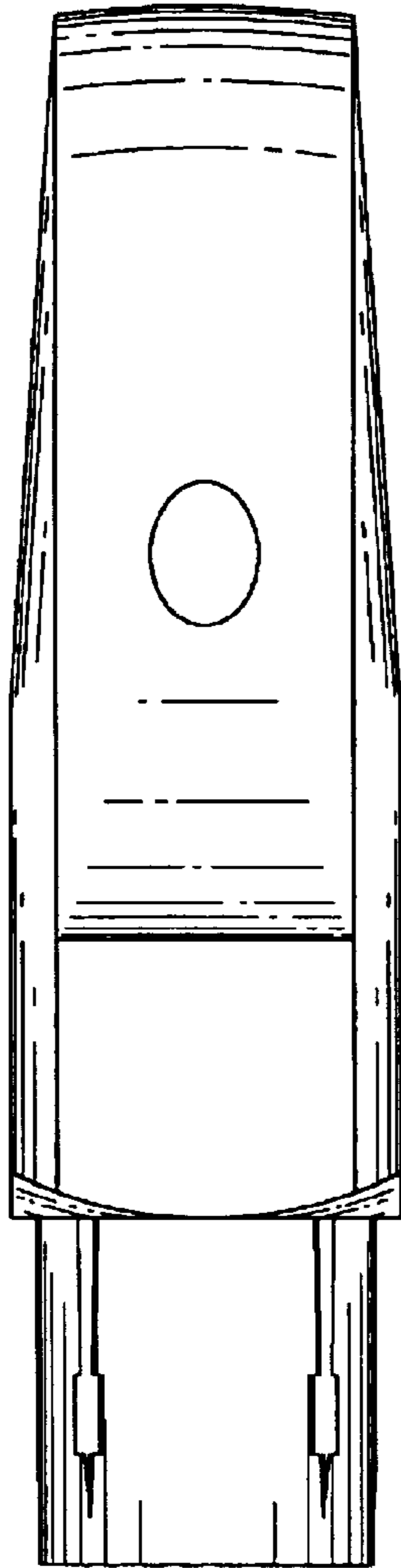


Fig. 3

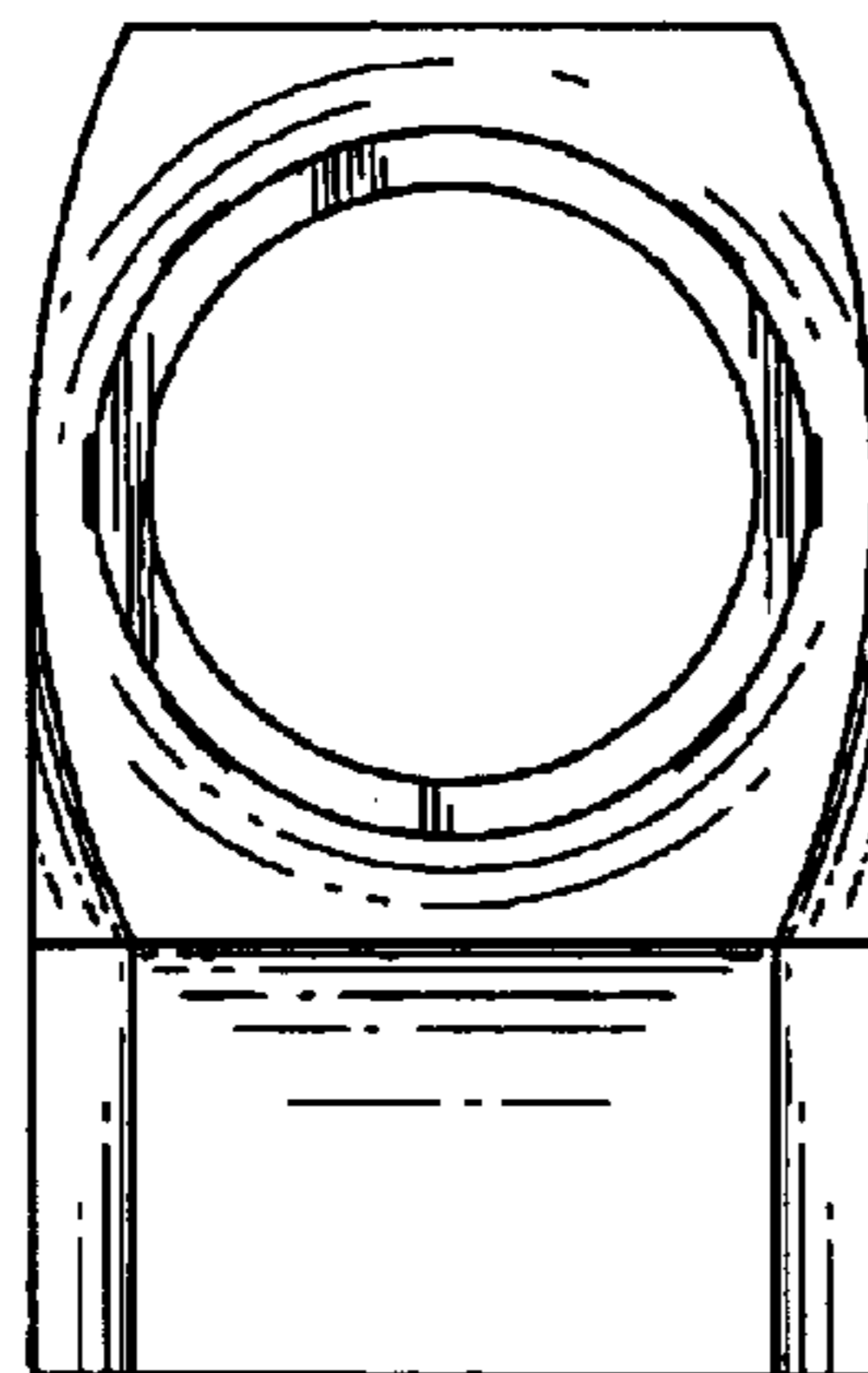


Fig. 4

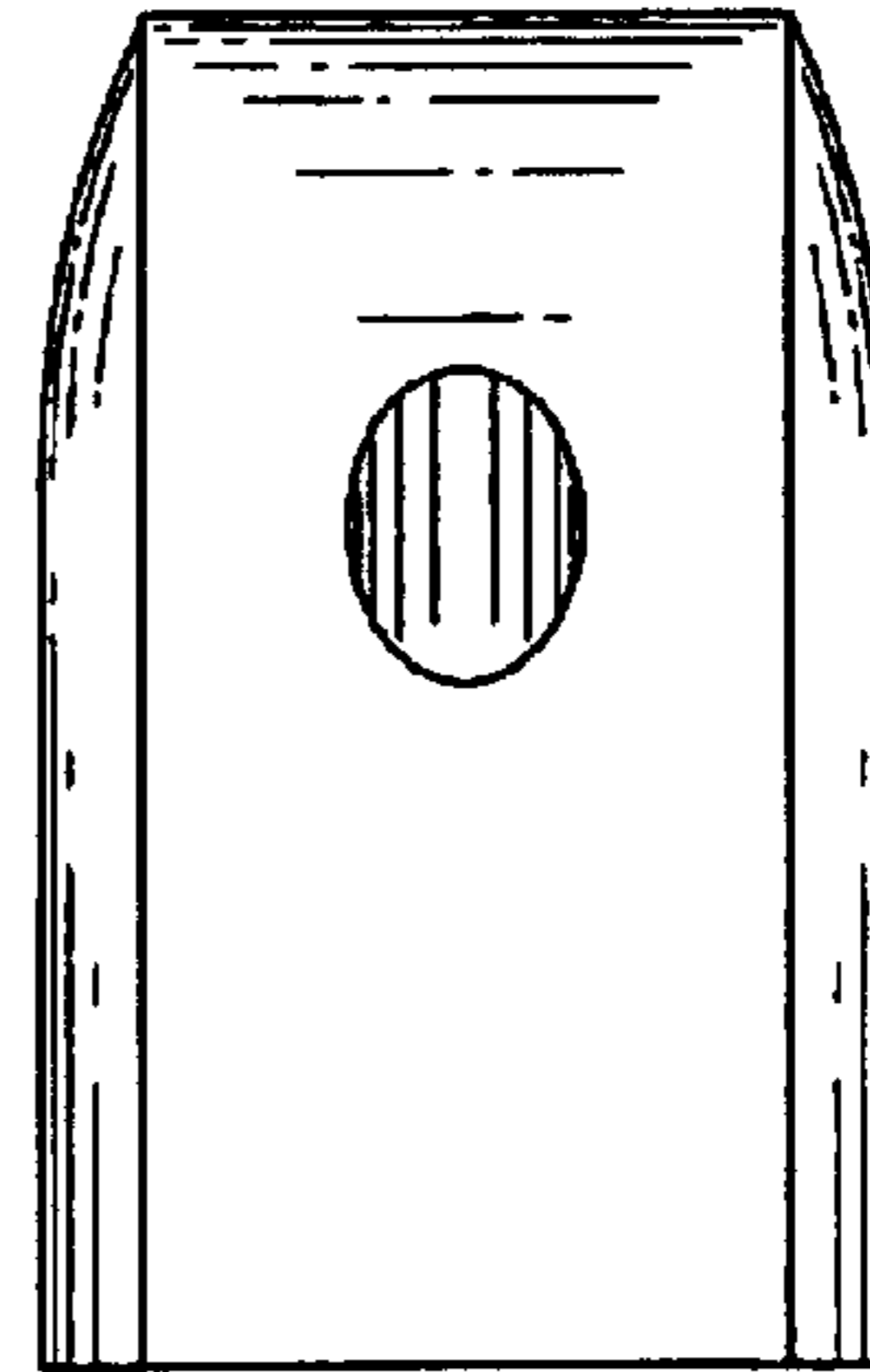


Fig. 5

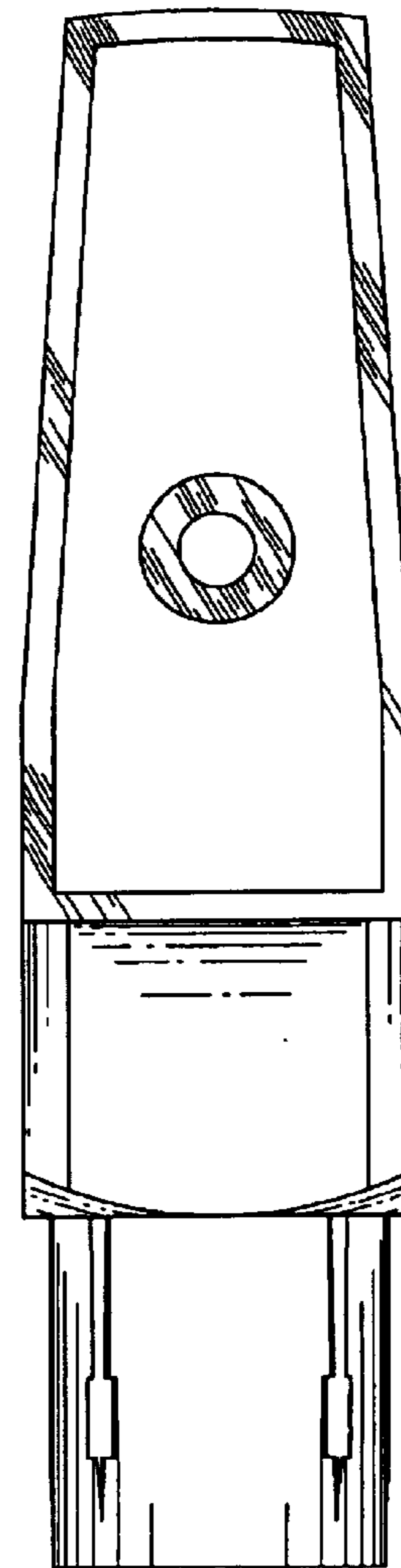


Fig. 6

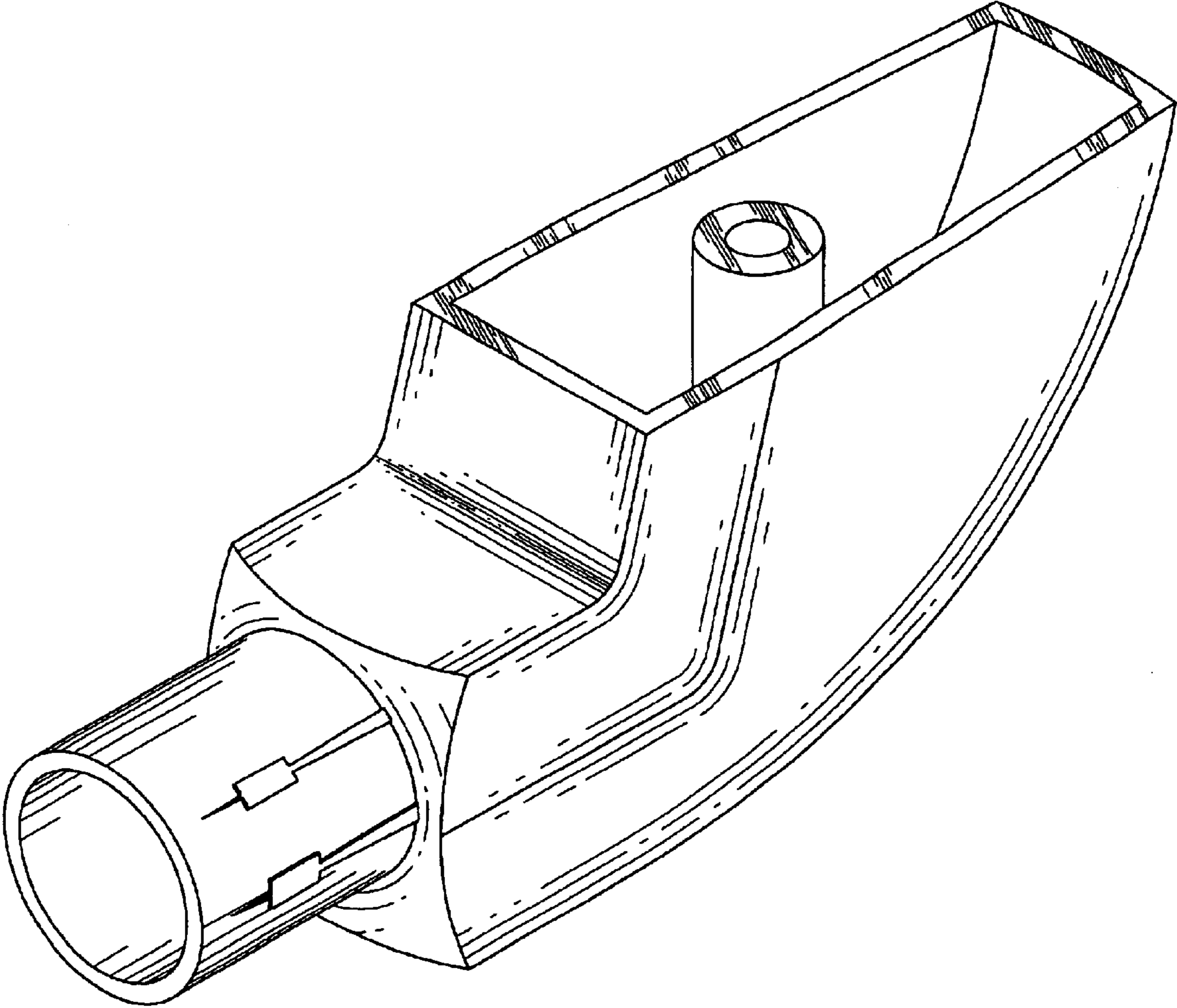


Fig. 7