



US00D495652S1

(12) **United States Design Patent**
James

(10) **Patent No.:** **US D495,652 S**

(45) **Date of Patent:** **** Sep. 7, 2004**

(54) **FRONT FACE OF A WHEEL**

(75) **Inventor:** **Jesse G. James, Surfside, CA (US)**

(73) **Assignee:** **Honda Motor Co., Ltd., Tokyo (JP)**

(**) **Term:** **14 Years**

(21) **Appl. No.:** **29/195,195**

(22) **Filed:** **Dec. 9, 2003**

(51) **LOC (7) Cl.** **12-16**

(52) **U.S. Cl.** **D12/211**

(58) **Field of Search** **D12/204-213;**
301/37.101, 64.101, 65

D466,853 S	*	12/2002	Maifrini	D12/211
D478,307 S	*	8/2003	Maifrini	D12/211
D480,343 S	*	10/2003	Oh	D12/209
D481,663 S	*	11/2003	Maifrini	D12/211
D482,308 S	*	11/2003	Lee	D12/211
D485,524 S	*	1/2004	Bhambra	D12/209

* cited by examiner

Primary Examiner—Stacia Cadmus

(74) *Attorney, Agent, or Firm*—Plumsea Law Group, LLP

(57) **CLAIM**

The ornamental design for a front face of a wheel, as shown and described.

DESCRIPTION

FIG. 1 is a perspective view of a front face of a wheel showing my new design; and,

FIG. 2 is an elevational view thereof.

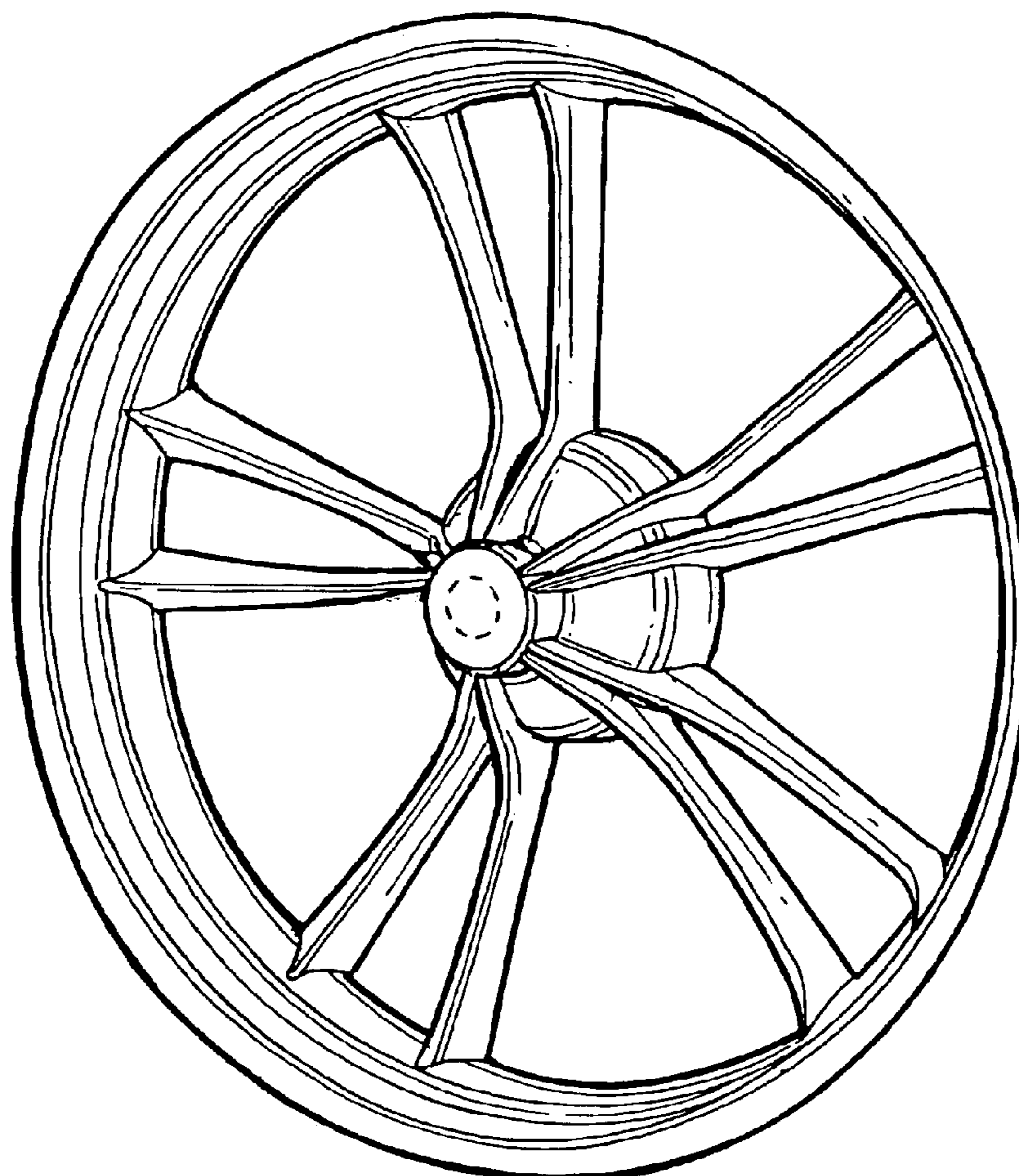
The broken line showing of the circle in the hub area is for illustrative purposes only and forms no part of the claimed invention.

(56) **References Cited**

U.S. PATENT DOCUMENTS

D421,417 S	*	3/2000	Weidhase	D12/209
D429,681 S	*	8/2000	Cullen	D12/211
D435,502 S	*	12/2000	Donikoglu	D12/211
D445,083 S	*	7/2001	Chung	D12/211
D450,647 S	*	11/2001	Pfeiffer	D12/211
D450,650 S	*	11/2001	Cinibulk	D12/211

1 Claim, 1 Drawing Sheet



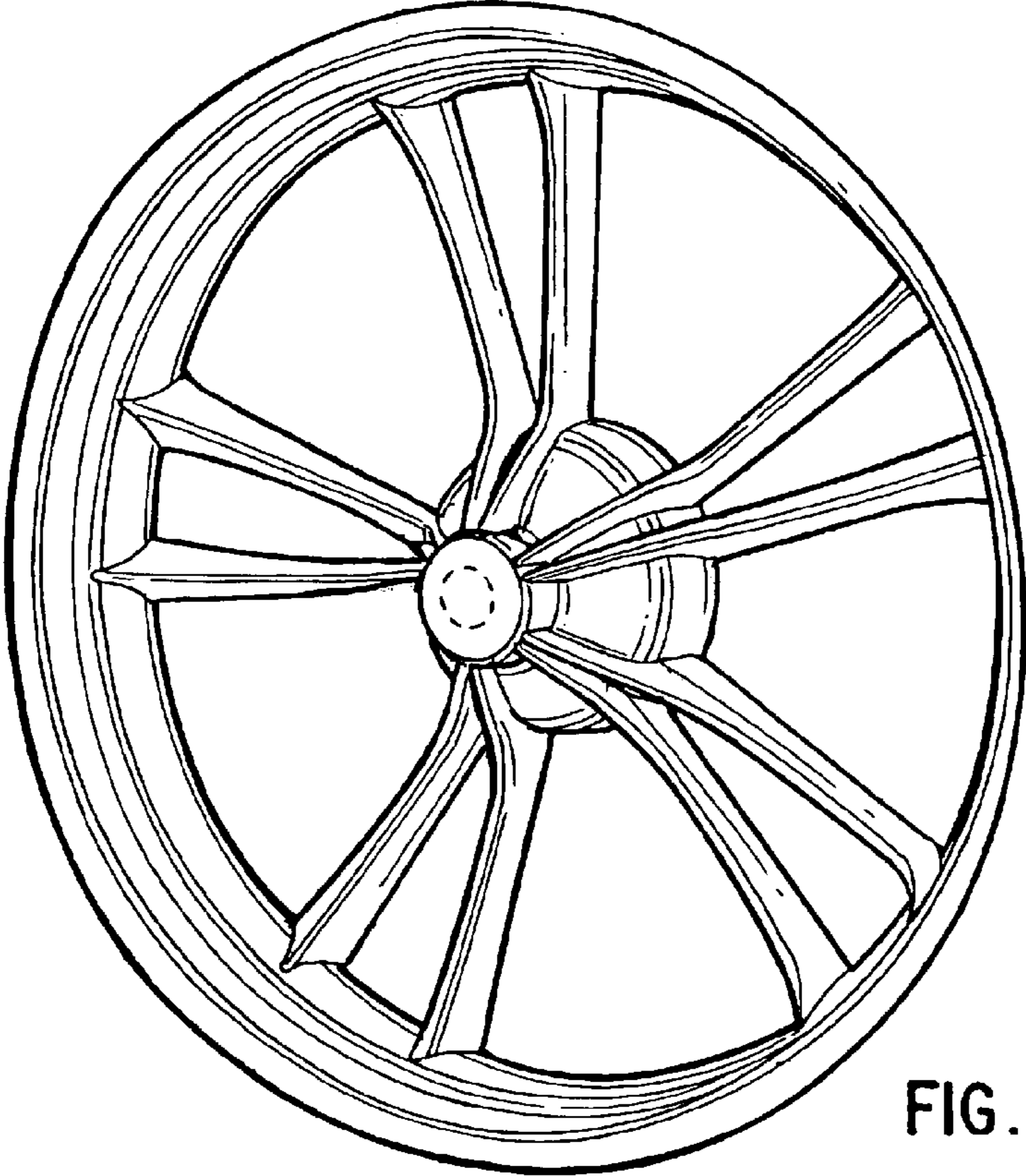


FIG. 1

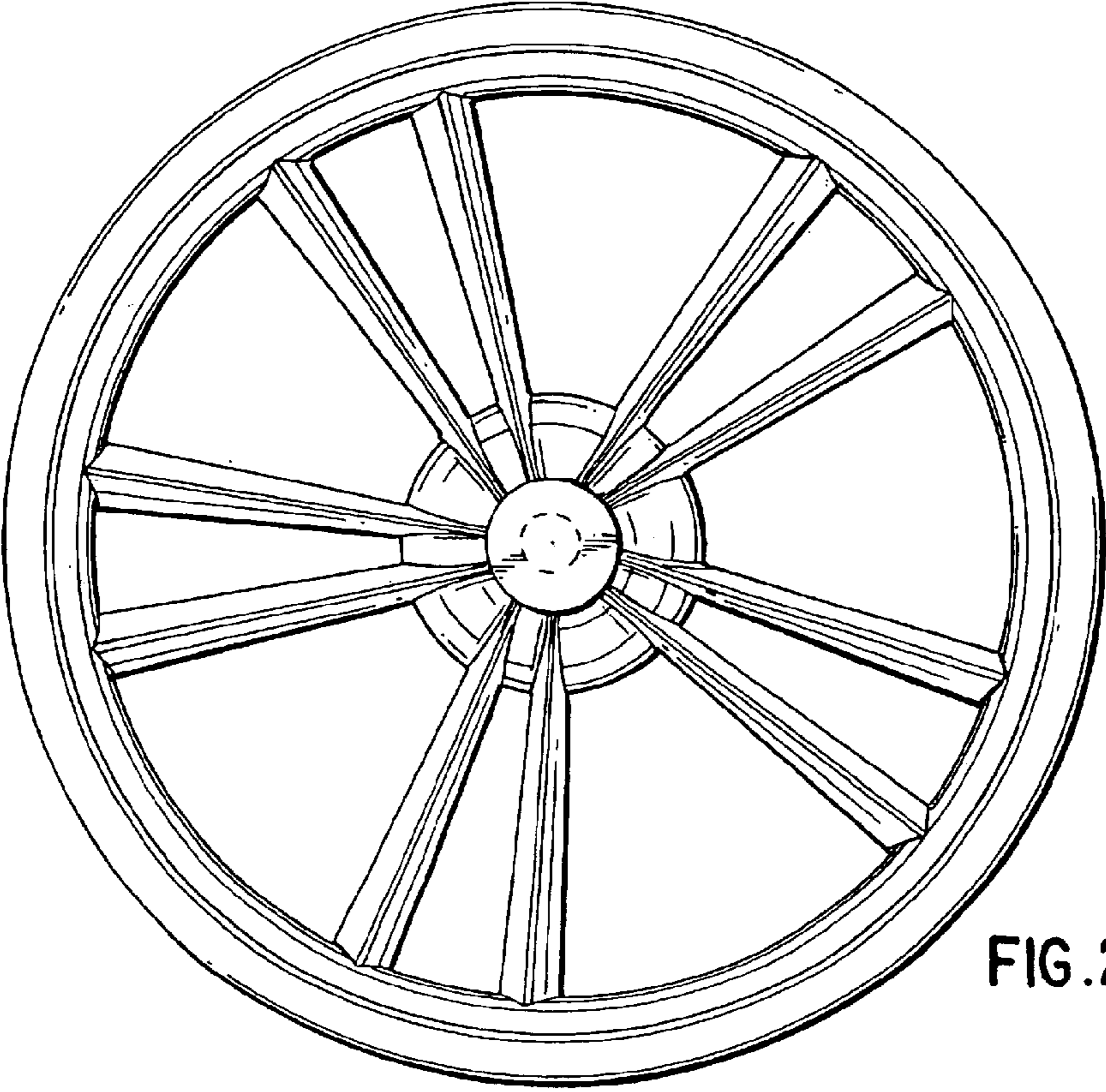


FIG. 2