

US00D495650S1

(12) **United States Design Patent**
Wang

(10) **Patent No.: US D495,650 S**

(45) **Date of Patent: ** Sep. 7, 2004**

(54) **DISK WHEEL COVER**

D481,341 S * 10/2003 Morrison D12/209

(76) Inventor: **Chu-Li Wang**, No. 295, Lane 168, Sec. 1, Tainan (TW)

* cited by examiner

Primary Examiner—Stacia Cadmus

(**) Term: **14 Years**

(57) **CLAIM**

(21) Appl. No.: **29/197,891**

The ornamental design for a disk wheel cover, as shown and described.

(22) Filed: **Jan. 22, 2004**

(51) **LOC (7) Cl.** **12-16**

(52) **U.S. Cl.** **D12/209**

(58) **Field of Search** D12/204–213;
301/37.101, 64.101, 65

DESCRIPTION

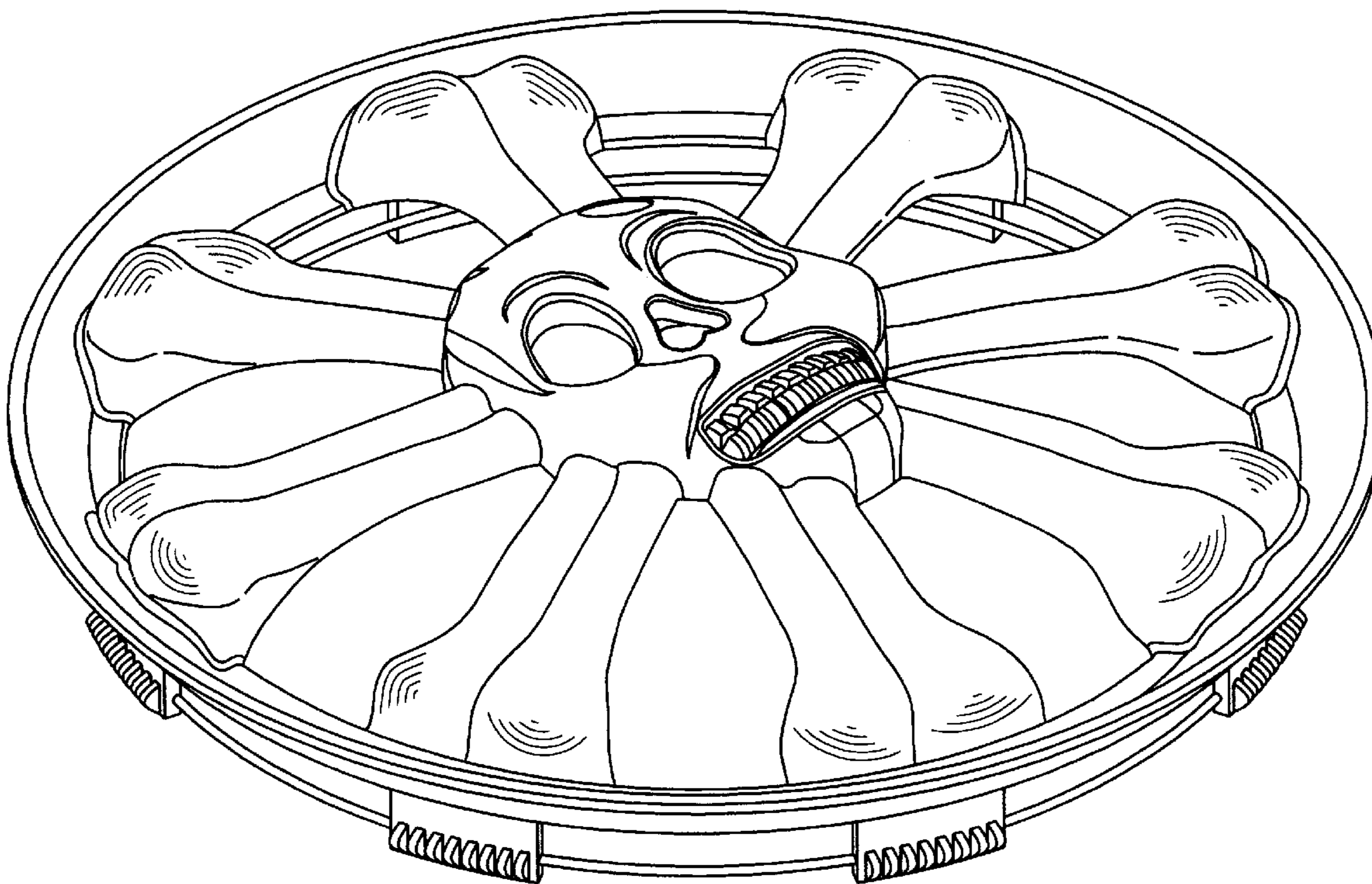
FIG. 1 is a perspective view of a disk wheel cover showing my new design;
FIG. 2 is a right side elevational view thereof;
FIG. 3 is a top plan view thereof;
FIG. 4 is a front elevational view thereof;
FIG. 5 is a bottom plan view thereof;
FIG. 6 is a left side elevational view thereof; and,
FIG. 7 is a rear elevational view.

(56) **References Cited**

U.S. PATENT DOCUMENTS

- D210,397 S * 3/1968 Edwards D12/204
- D393,240 S * 4/1998 Escobedo D12/213
- D399,812 S * 10/1998 Weld D12/209
- D425,848 S * 5/2000 Hu D12/209

1 Claim, 5 Drawing Sheets



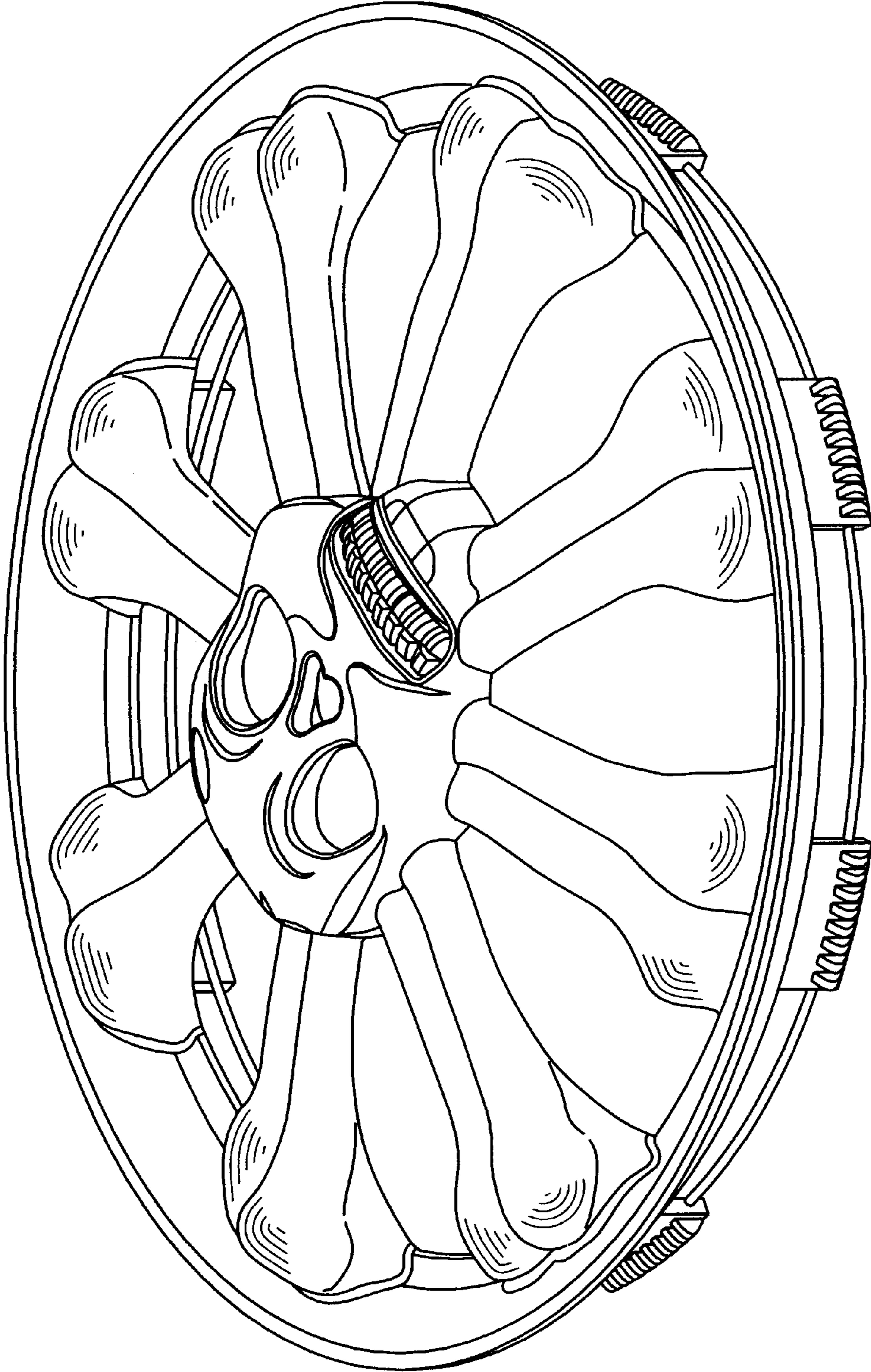


FIG. 1

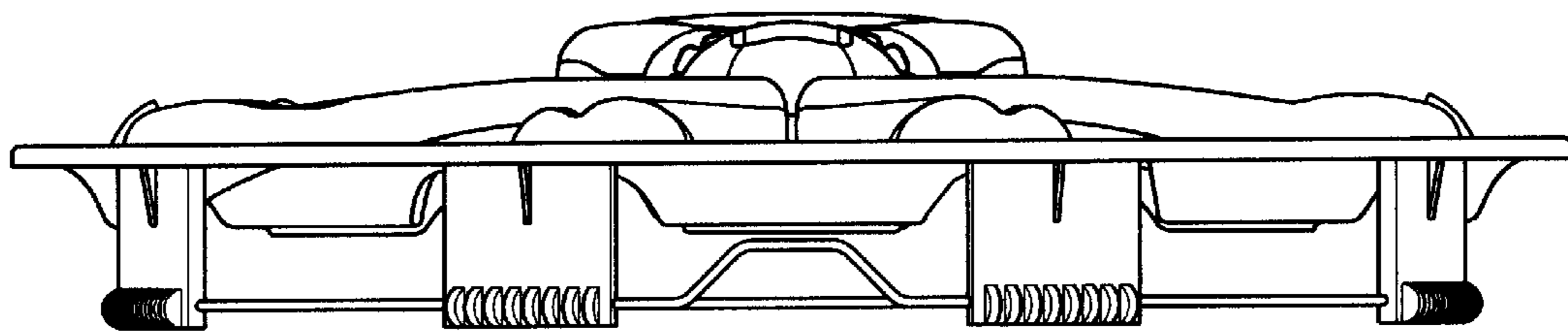


FIG. 2

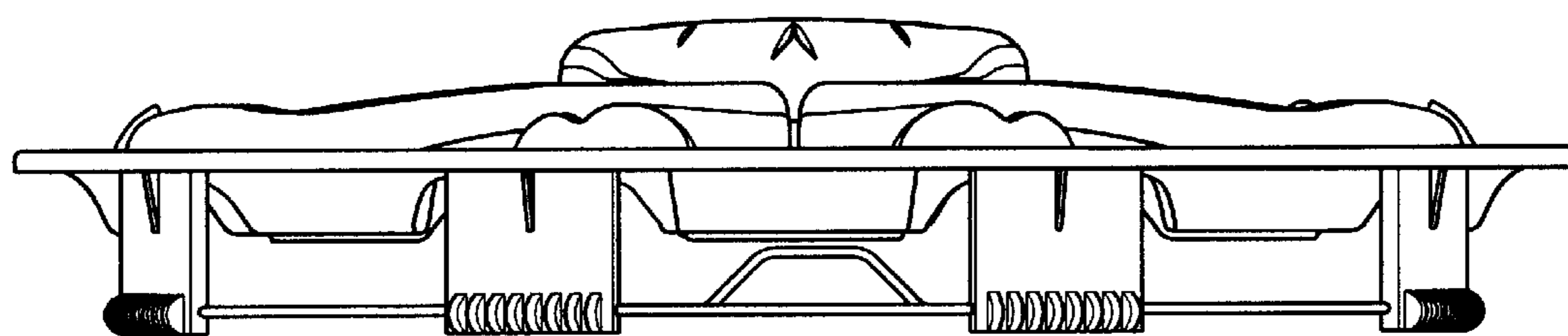


FIG. 3

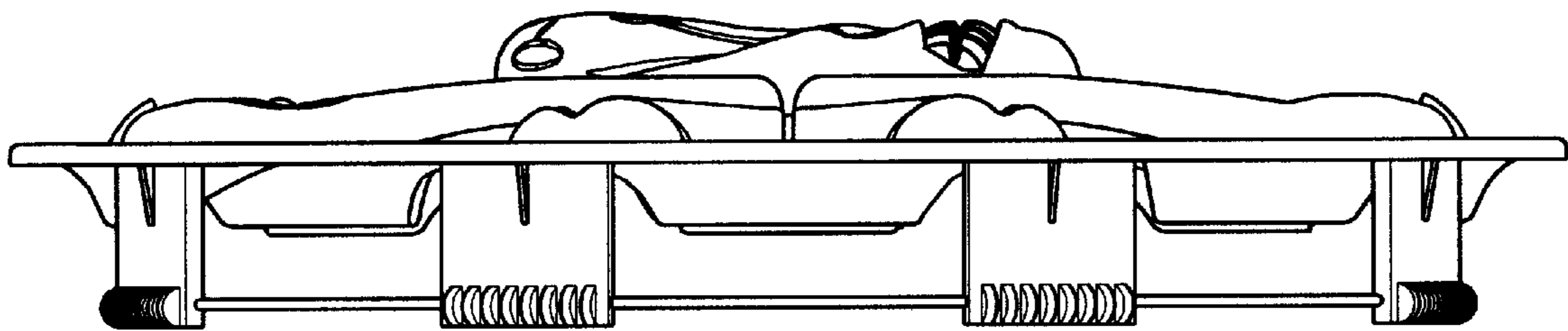


FIG. 4

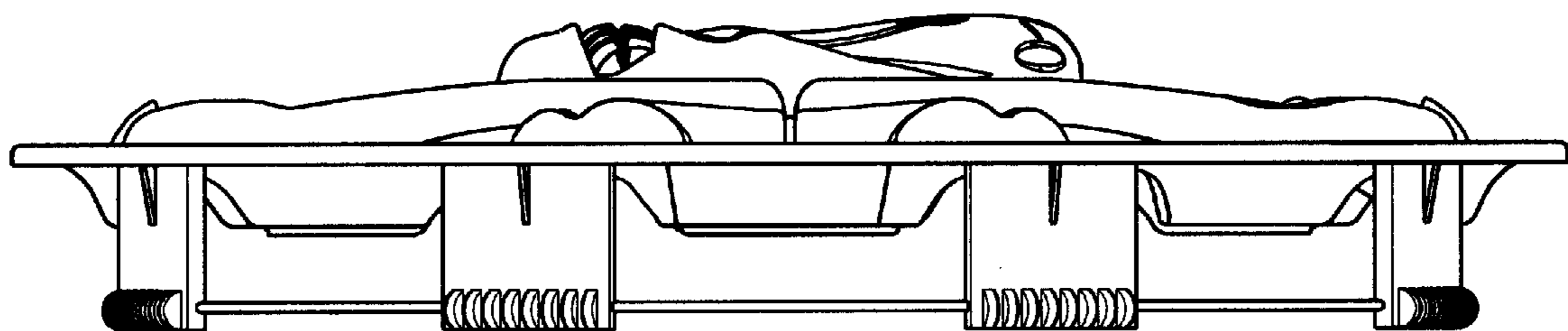


FIG. 5

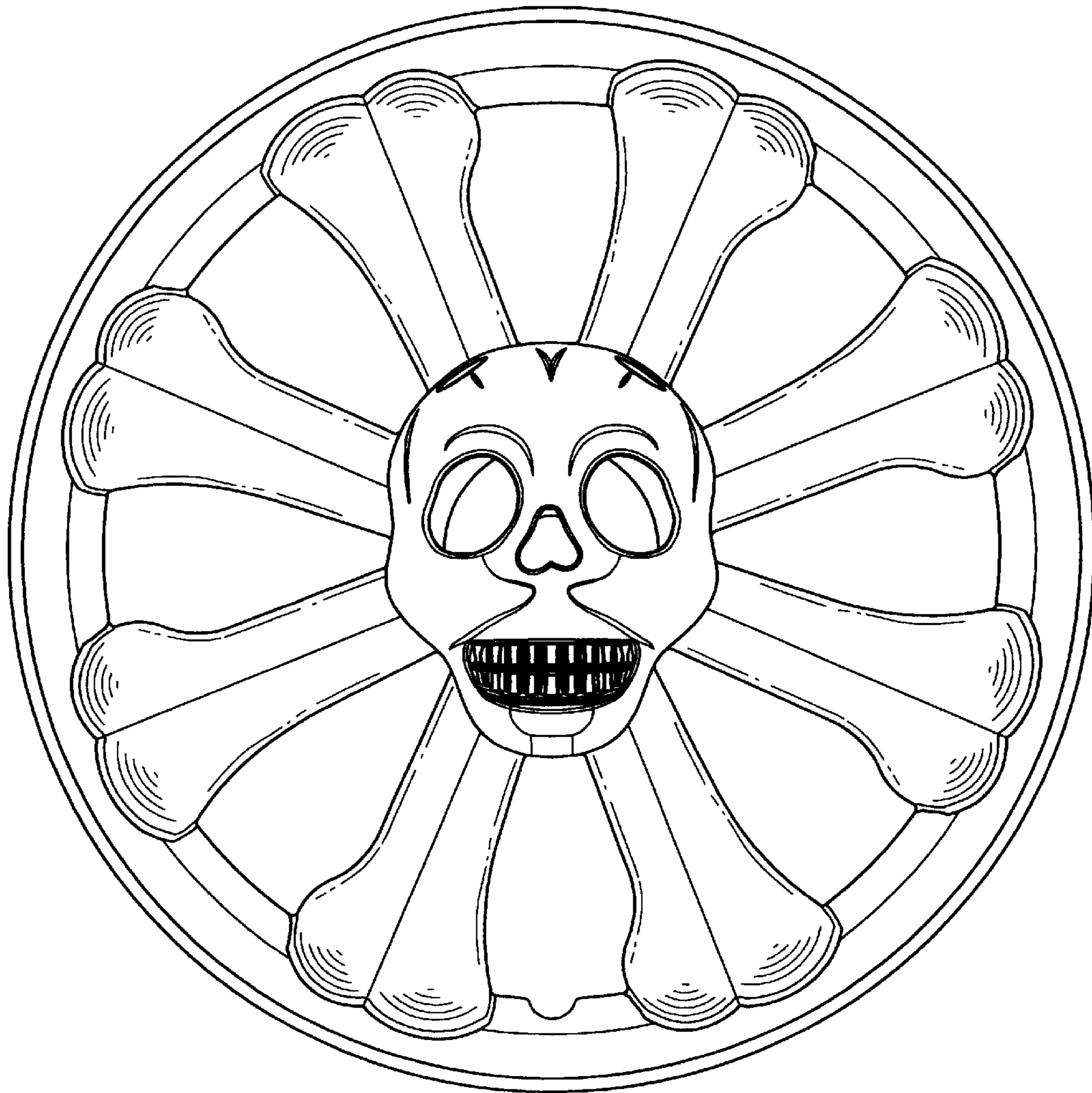


FIG. 6

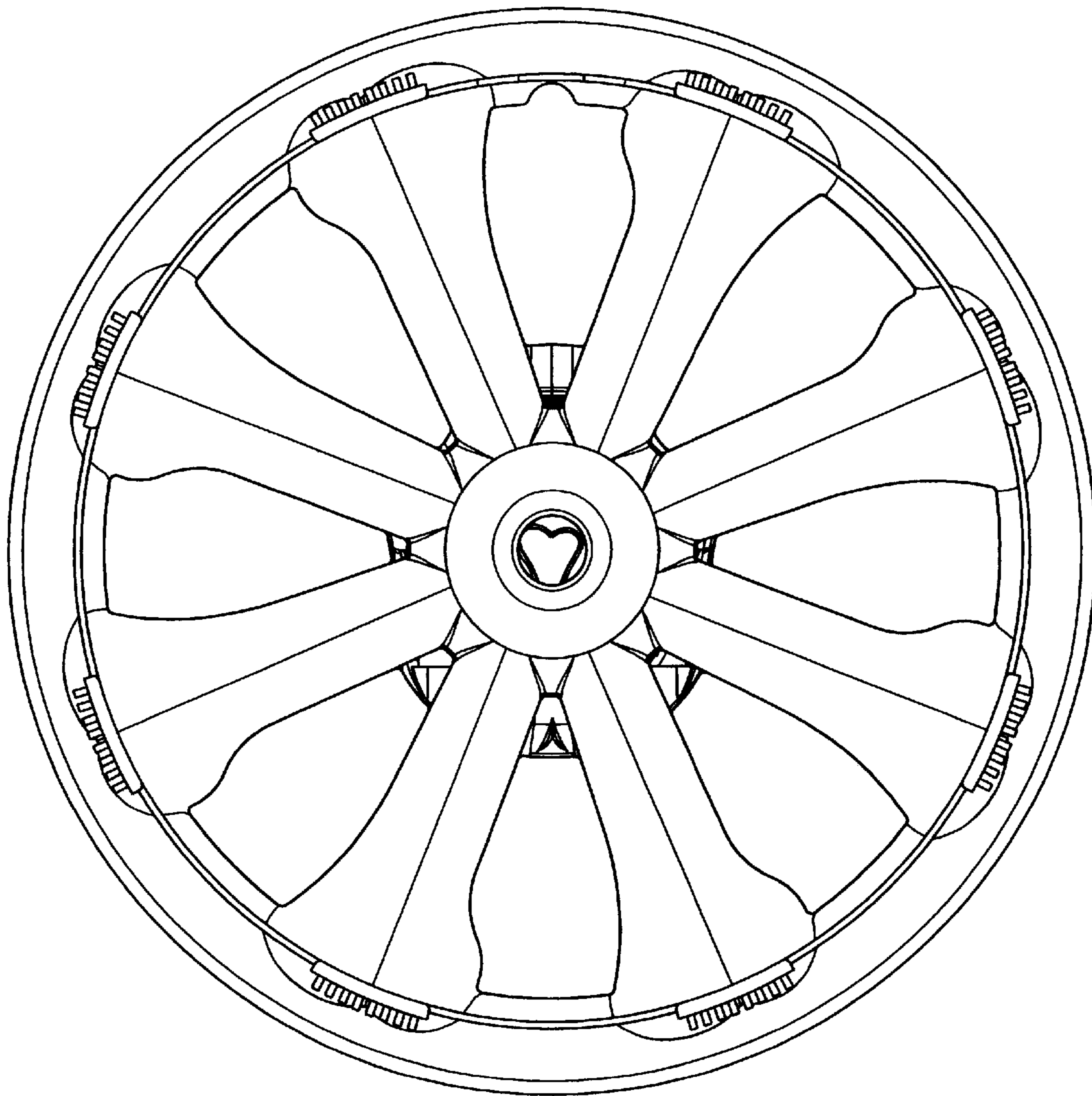


FIG. 7