

US00D495649S1

(12) **United States Design Patent**
Schell et al.

(10) **Patent No.:** **US D495,649 S**

(45) **Date of Patent:** **** Sep. 7, 2004**

(54) **VEHICLE WHEEL**

(75) Inventors: **Damon Schell**, Redondo Beach, CA
(US); **John A. Frye**, San Pedro, CA
(US)

(73) Assignee: **Honda Motor Co., Ltd.**, Tokyo (JP)

(**) Term: **14 Years**

(21) Appl. No.: **29/195,250**

(22) Filed: **Dec. 10, 2003**

(51) **LOC (7) Cl.** **12-16**

(52) **U.S. Cl.** **D12/209**

(58) **Field of Search** D12/204-213;
301/37.101, 64.101, 65

(56) **References Cited**

U.S. PATENT DOCUMENTS

D456,331 S	*	4/2002	Chung	D12/209
D465,184 S	*	11/2002	Chung	D12/211
D465,186 S	*	11/2002	Chung	D12/211
D466,464 S	*	12/2002	Hodges	D12/209

D470,449 S	*	2/2003	Bernoni	D12/211
D470,812 S	*	2/2003	Chu	D12/211
D481,348 S	*	10/2003	Kang	D12/211
D483,713 S	*	12/2003	Tirado	D12/209
D488,116 S	*	4/2004	Chung	D12/209
D488,762 S	*	4/2004	Cahyono	D12/209

* cited by examiner

Primary Examiner—Stacia Cadmus

(74) *Attorney, Agent, or Firm*—Plumsea Law Group, LLC

(57) **CLAIM**

The ornamental design for a vehicle wheel, as shown and described.

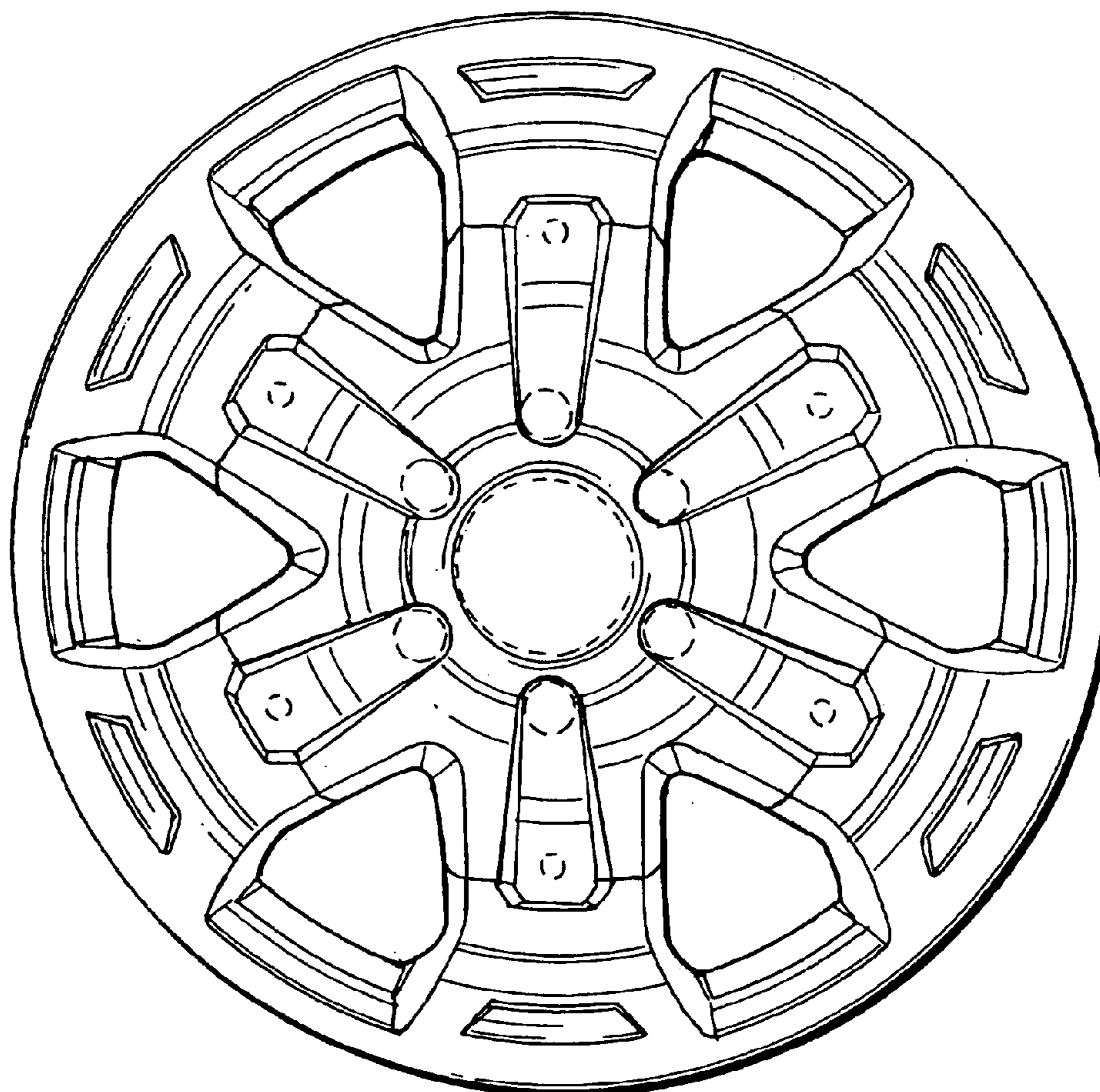
DESCRIPTION

FIG. 1 is an elevational view of a vehicle wheel showing our new design; and,

FIG. 2 is a perspective view thereof.

The broken line showings of the circle in the center and the smaller circles are for illustrative purposes only and form no part of the claimed invention.

1 Claim, 1 Drawing Sheet



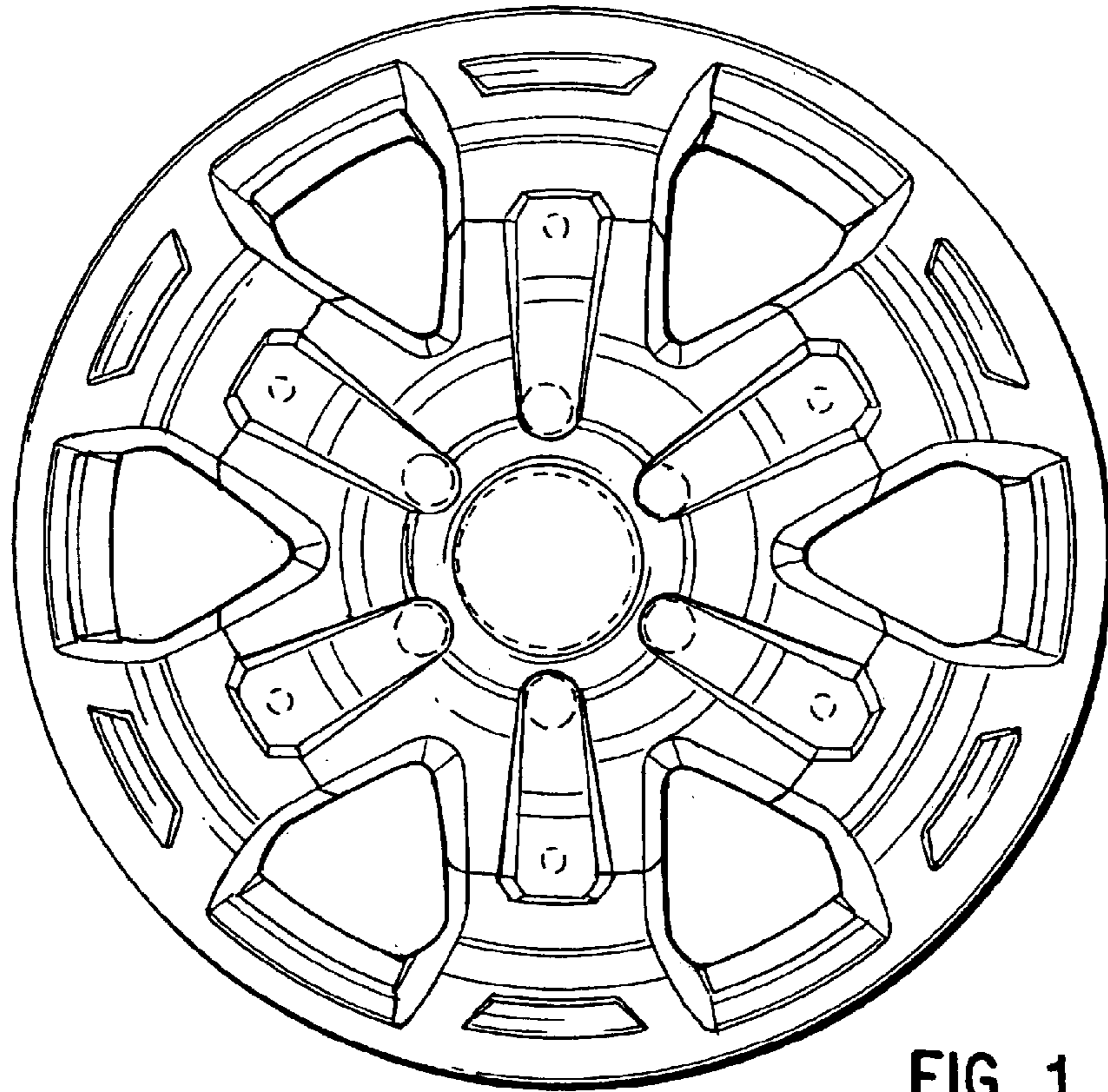


FIG. 1

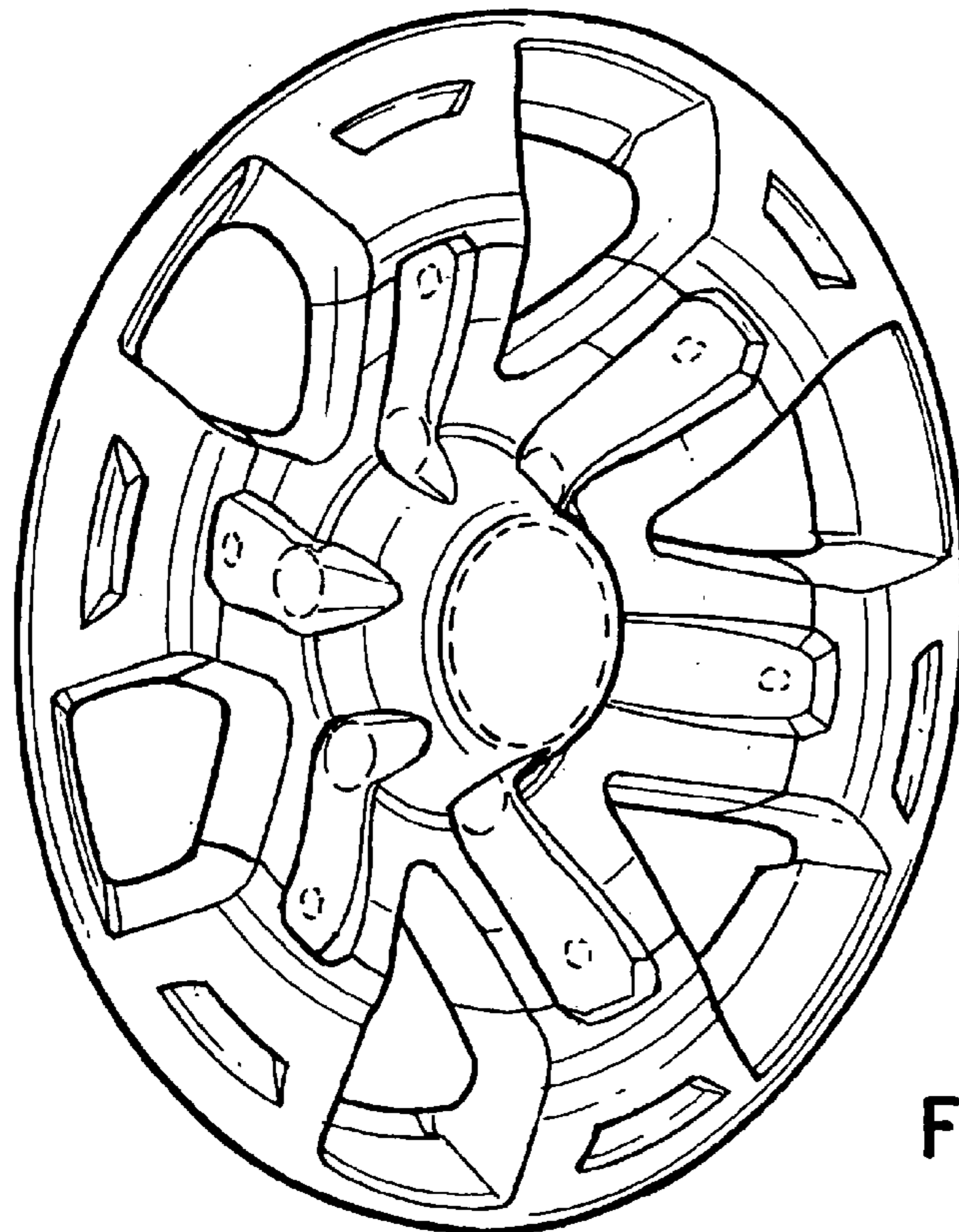


FIG. 2