

US00D495642S1

(12) **United States Design Patent**
Luttig

(10) **Patent No.:** **US D495,642 S**

(45) **Date of Patent:** **** Sep. 7, 2004**

(54) **MOTORCYCLE MUFFLER**

(75) **Inventor:** **George P. Luttig**, Rancho Dominguez,
CA (US)

(73) **Assignee:** **Don Emler**, Rancho Dominguez

(**) **Term:** **14 Years**

(21) **Appl. No.:** **29/192,753**

(22) **Filed:** **Oct. 28, 2003**

(51) **LOC (7) Cl.** **12-16**

(52) **U.S. Cl.** **D12/194**

(58) **Field of Search** D12/110, 159,
D12/190, 194, 400; D15/5; 181/227-8,
239, 241, 243, 247-9, 263-4, 282

(56) **References Cited**

U.S. PATENT DOCUMENTS

D177,877 S	*	5/1956	Sandler	D12/194
D406,089 S	*	2/1999	Burns	D12/194
D480,030 S	*	9/2003	Gilli	D12/194

OTHER PUBLICATIONS

Supertrapp Tapered Megaphone Muffler #11-144, Custom Chrome 2001 Catalog, Copyright 2000, p. 7.18.*

* cited by examiner

Primary Examiner—Robert M. Spear

(74) *Attorney, Agent, or Firm*—Donn K. Harms

(57) **CLAIM**

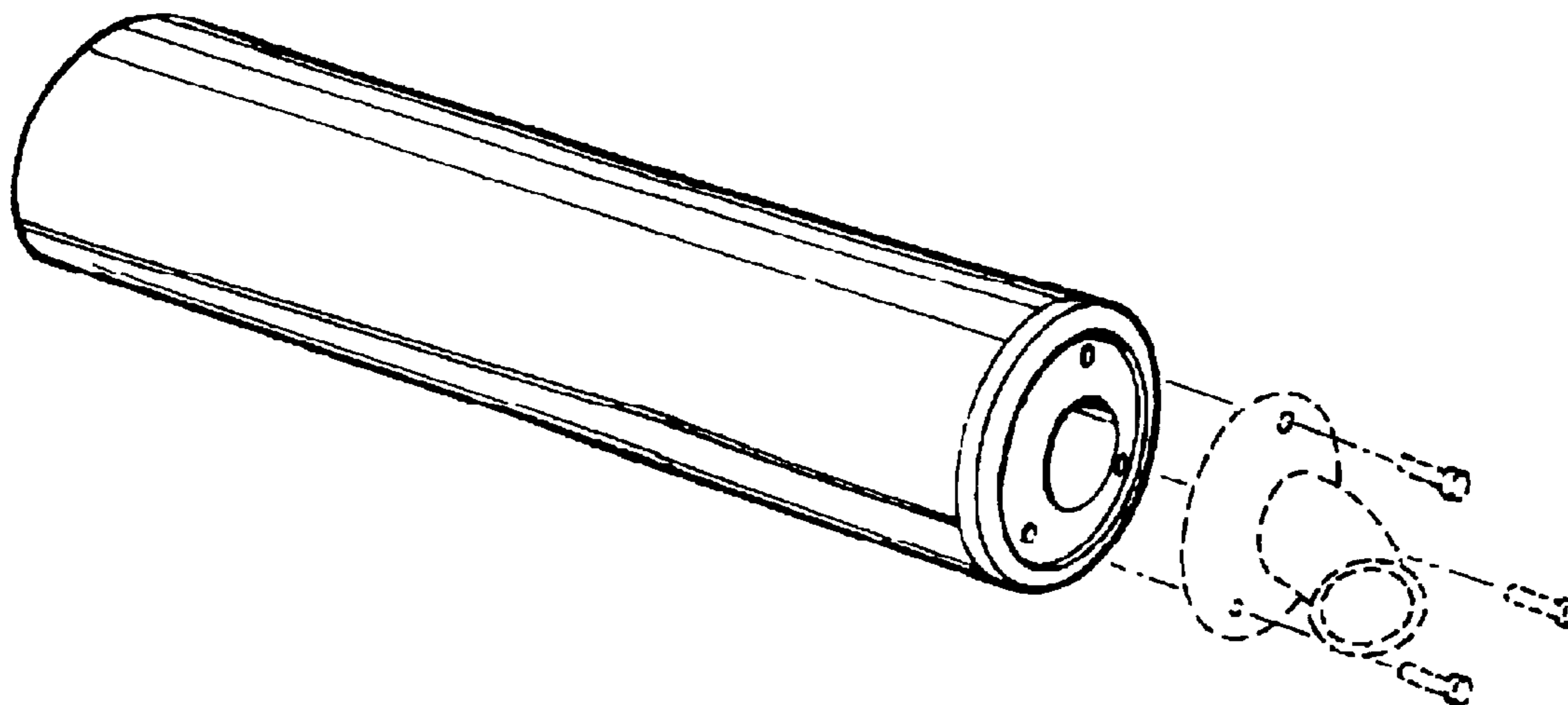
The ornamental design for a motorcycle muffler, as shown and described.

DESCRIPTION

FIG. 1 is a front perspective view of a motorcycle muffler; FIG. 2 is a top view of thereof; FIG. 3 is a first end view thereof; FIG. 4 is a second end view thereof opposite the view of FIG. 3; FIG. 5 is a side view thereof; and, FIG. 6 is a bottom view thereof.

The broken lines in the drawings represent environmental structure only and form no part of the claimed design.

1 Claim, 1 Drawing Sheet



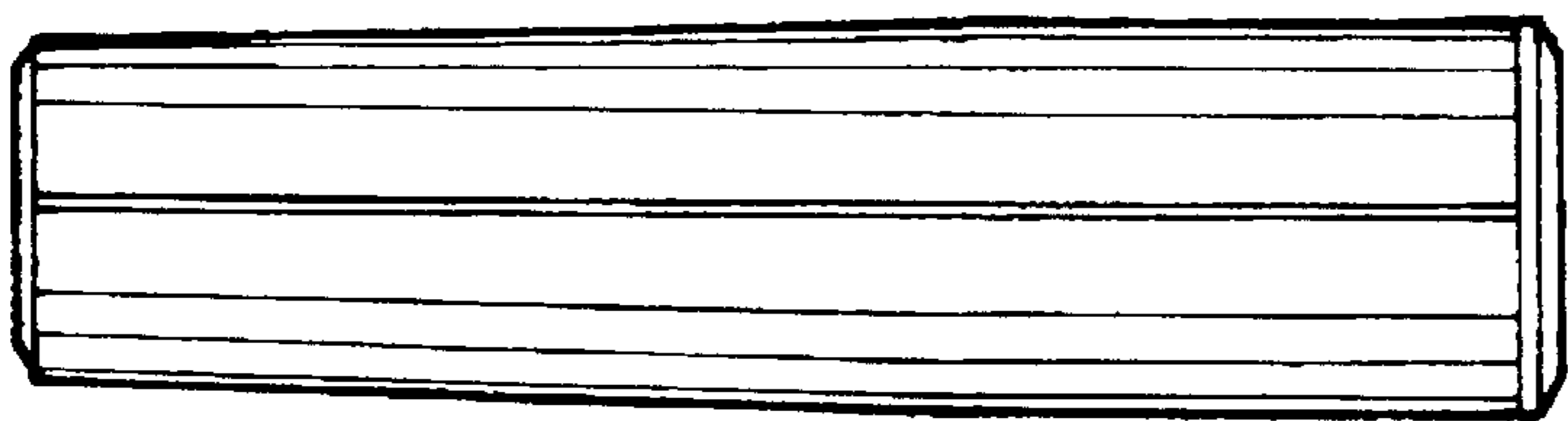
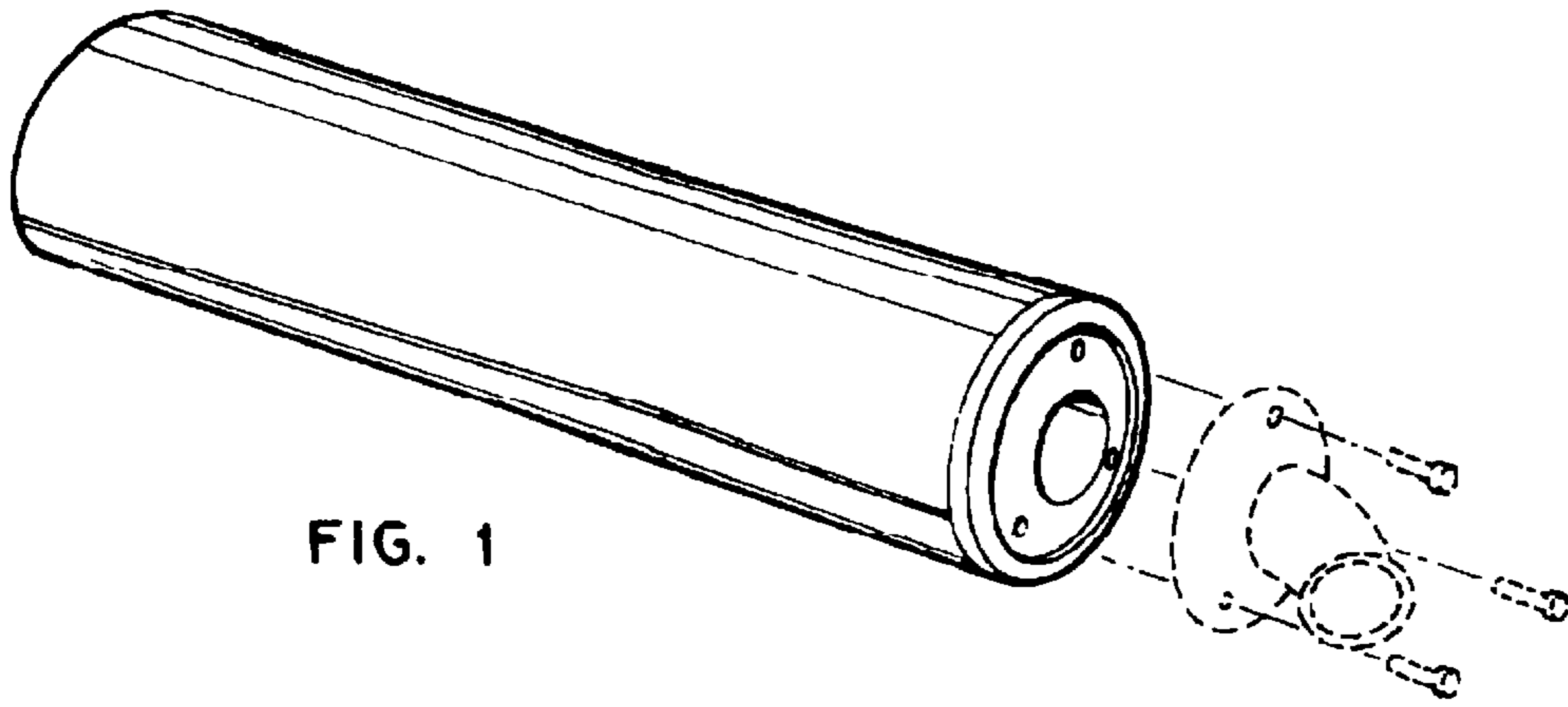


FIG. 2

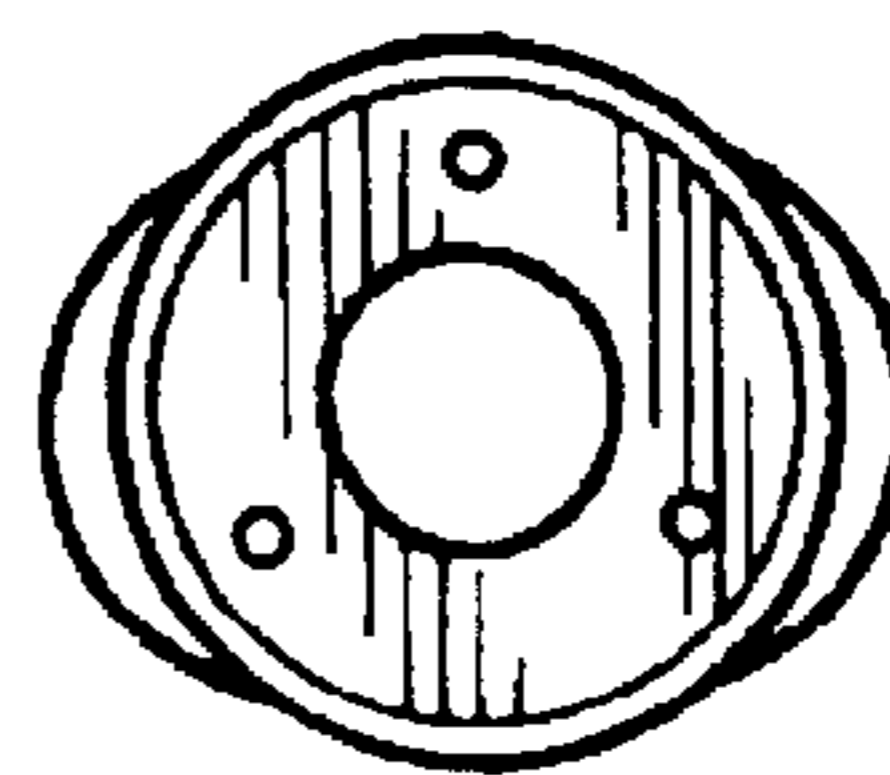


FIG. 3

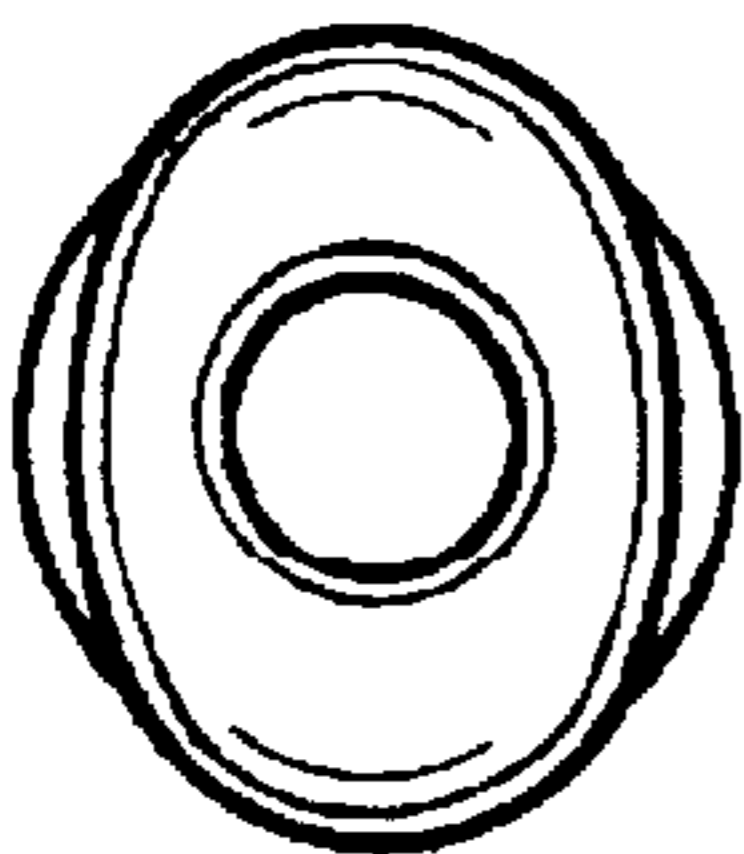


FIG. 4

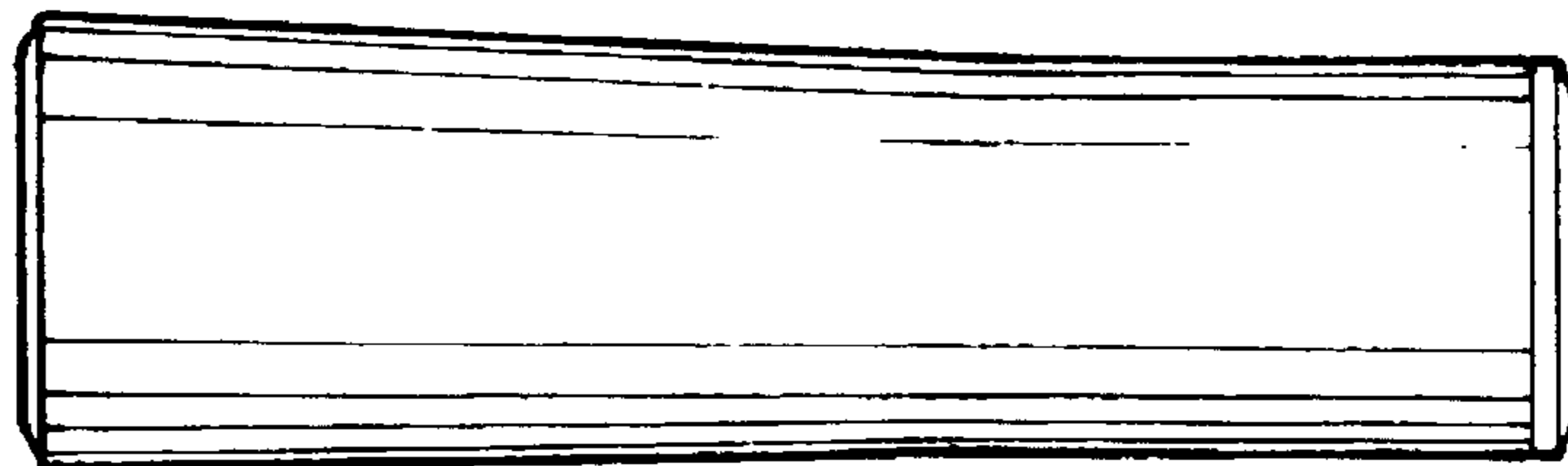


FIG. 5

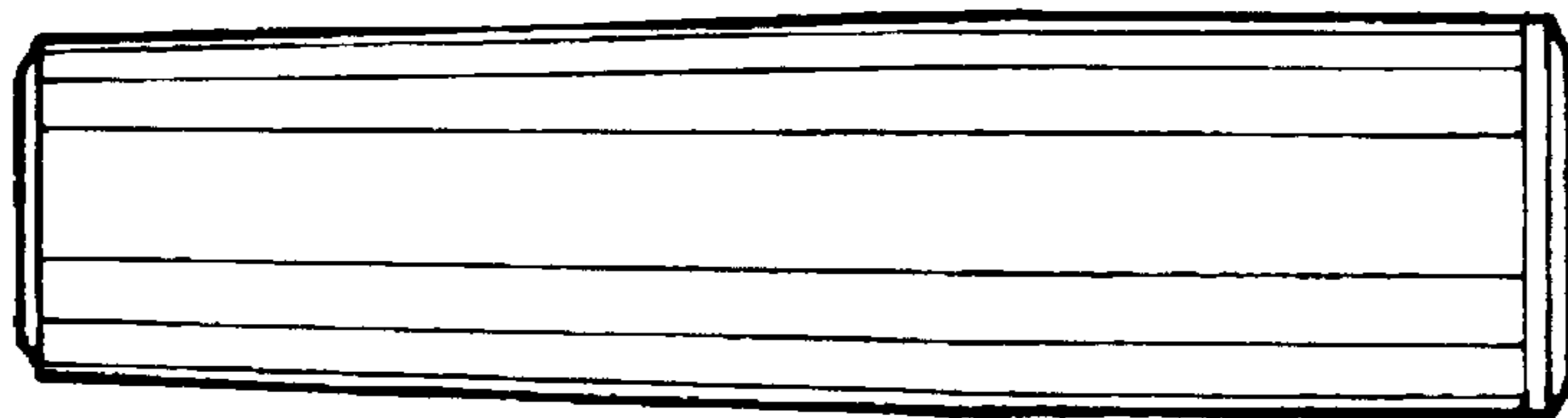


FIG. 6