

US00D495641S1

(12) **United States Design Patent**  
**Nakajima et al.**

(10) **Patent No.:** **US D495,641 S**

(45) **Date of Patent:** **\*\* Sep. 7, 2004**

(54) **PORTION OF A VEHICLE INTERIOR**

(75) Inventors: **Osamu Nakajima**, Torrance, CA (US);  
**Jean-Paul Schowalter**, Long Beach,  
CA (US)

(73) Assignee: **Honda Motor Co., Ltd.**, Tokyo (JP)

(\*\*) Term: **14 Years**

(21) Appl. No.: **29/195,244**

(22) Filed: **Dec. 10, 2003**

(51) **LOC (7) Cl.** ..... **12-16**

(52) **U.S. Cl.** ..... **D12/192**

(58) **Field of Search** ..... D12/192; 180/90;  
280/750-752; 296/190-191, 70; D10/46,  
102, 98, 122-127

(56) **References Cited**

**U.S. PATENT DOCUMENTS**

D369,999 S	*	5/1996	Sacco et al. ....	D12/192
D372,010 S	*	7/1996	Pfeiffer et al. ....	D12/192
D405,408 S	*	2/1999	Yoshida et al. ....	D12/192
D423,434 S	*	4/2000	Yano et al. ....	D12/192
D431,220 S	*	9/2000	Wyszogrod et al. ....	D12/192

D433,362 S	*	11/2000	Wyszogrod et al. ....	D12/192
D436,069 S	*	1/2001	O'Connell .....	D12/192
D440,926 S	*	4/2001	Pfeiffer .....	D12/192
D470,091 S	*	2/2003	Kraus et al. ....	D12/192
D470,807 S	*	2/2003	Wyszogrod et al. ....	D12/192
D470,809 S	*	2/2003	Asahi et al. ....	D12/192
D480,671 S	*	10/2003	Pfeiffer et al. ....	D12/192

\* cited by examiner

*Primary Examiner*—Stacia Cadmus

(74) *Attorney, Agent, or Firm*—Plumsea Law Group, LLC

(57) **CLAIM**

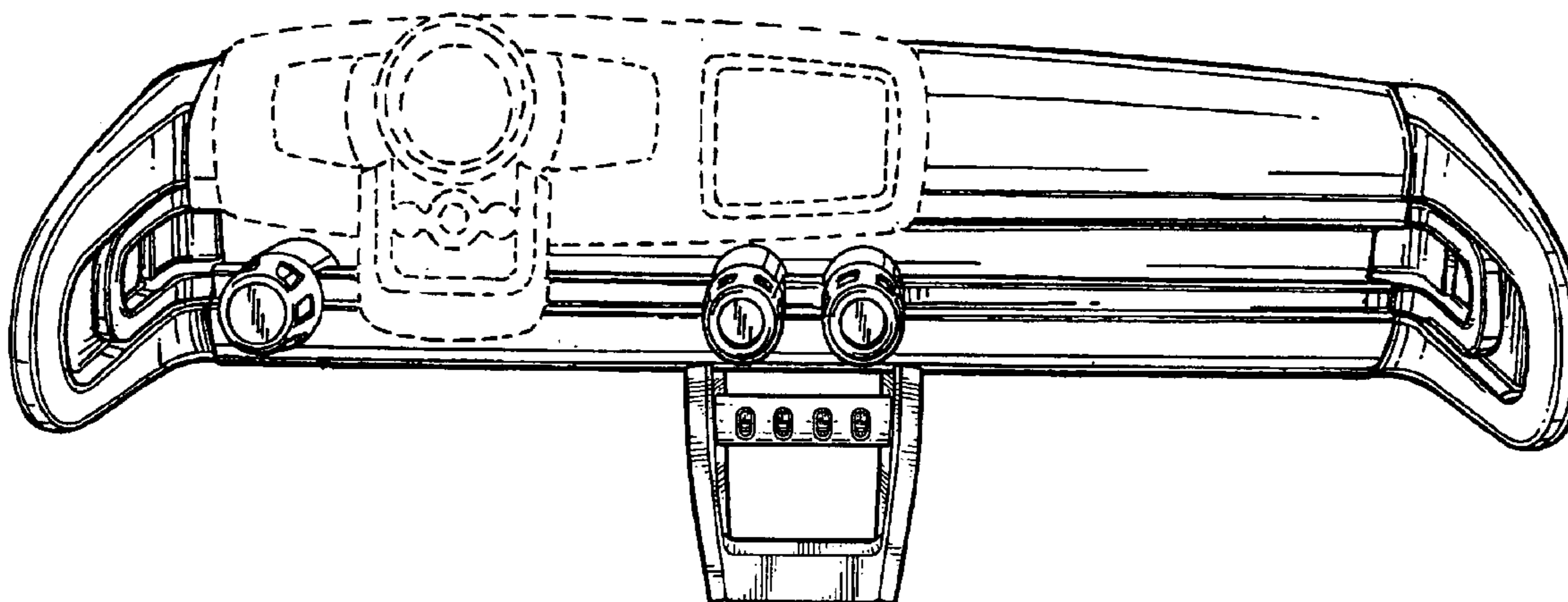
The ornamental design for a portion of a vehicle interior, as shown and described.

**DESCRIPTION**

FIG. 1 is a partial left perspective view of a portion of a vehicle interior showing our new design; FIG. 2 is a partial right perspective view thereof; and, FIG. 3 is an elevational view thereof.

The broken line showings of the instrument panel and steering wheel mount are for illustrative purposes only and form no part of the claimed invention.

**1 Claim, 3 Drawing Sheets**



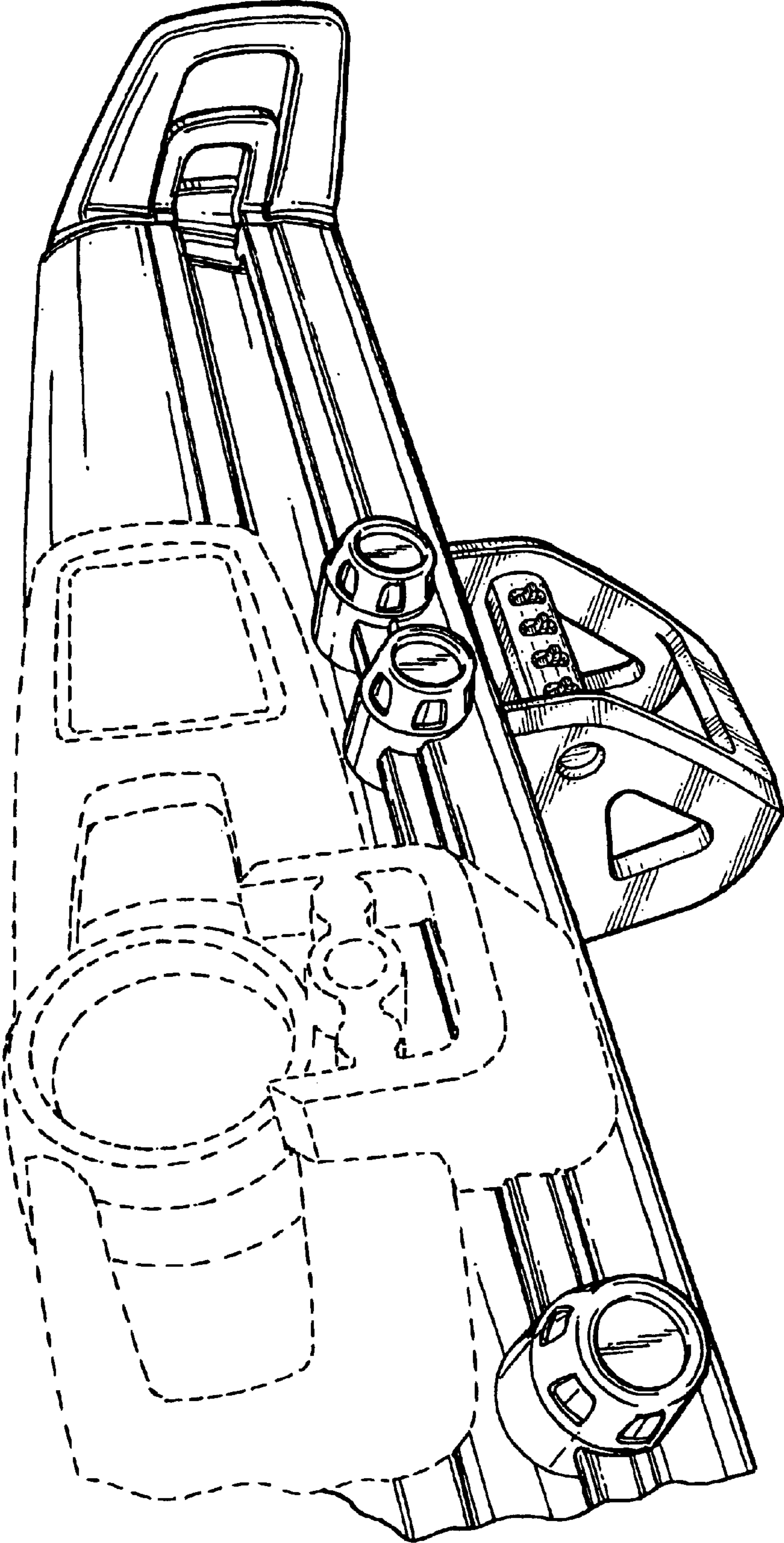


FIG.1

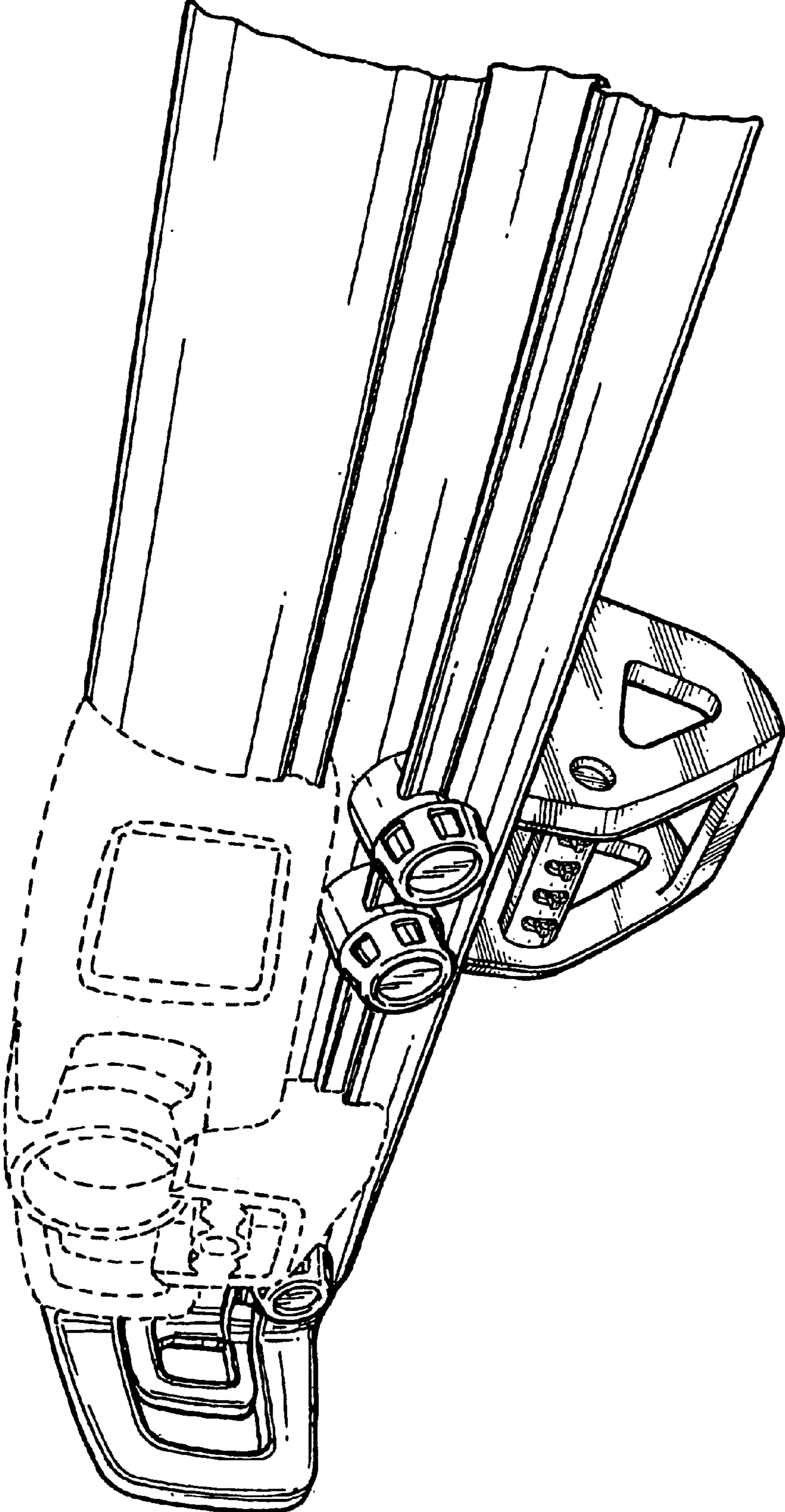


FIG.2

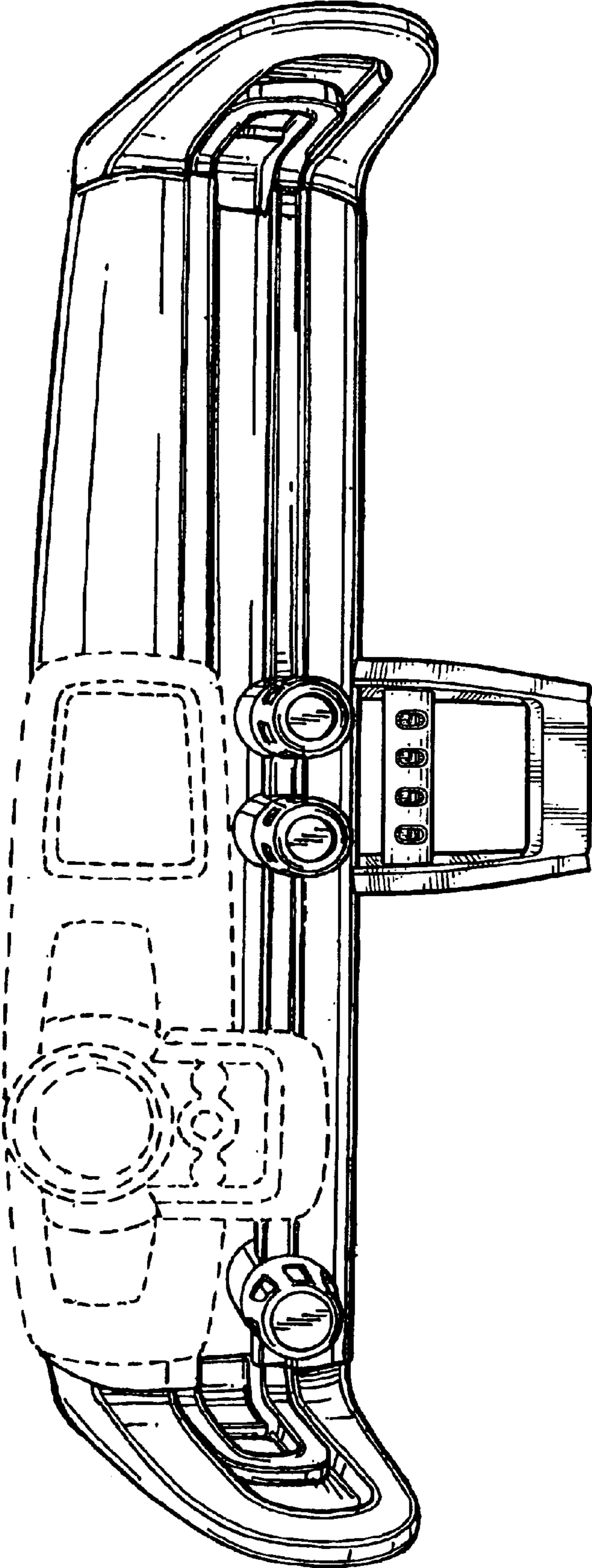


FIG.3