

US00D495640S1

(12) **United States Design Patent**  
**James**

(10) **Patent No.: US D495,640 S**  
(45) **Date of Patent: \*\* Sep. 7, 2004**

- (54) **MOTORCYCLE MUFFLER**
- (75) Inventor: **Jesse G. James**, Surfside, CA (US)
- (73) Assignee: **Honda Motor Co., Ltd.**, Tokyo (JP)
- (\*\*) Term: **14 Years**
- (21) Appl. No.: **29/195,202**
- (22) Filed: **Dec. 9, 2003**
- (51) **LOC (7) Cl.** ..... **12-16**
- (52) **U.S. Cl.** ..... **D12/192**
- (58) **Field of Search** ..... D12/194, 400,  
D12/110, 114; D15/5; 180/89.2, 219, 225,  
296, 309; 181/239, 247, 227-228; 60/302,  
313, 323; 29/890.08; 138/37

- D467,847 S \* 12/2002 Campbell et al. .... D12/194
- D481,661 S \* 11/2003 James ..... D12/194
- D481,662 S \* 11/2003 James ..... D12/194
- D483,710 S \* 12/2003 James ..... D12/194
- D488,114 S \* 4/2004 Kulla ..... D12/194

\* cited by examiner

*Primary Examiner*—Stacia Cadmus

(74) *Attorney, Agent, or Firm*—Plumsea Law Group, LLC

(57) **CLAIM**

The ornamental design for a motorcycle muffler, as shown and described.

**DESCRIPTION**

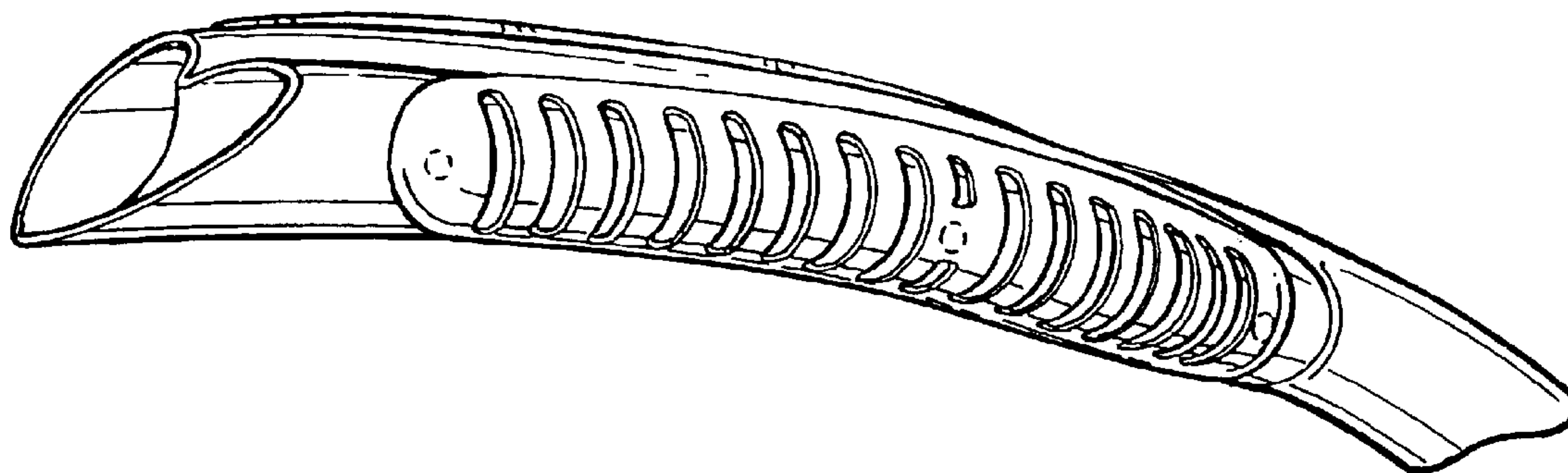
FIG. 1 is a perspective view of a motorcycle muffler showing my new design;  
 FIG. 2 is a perspective view thereof, viewed from the opposite side; and,  
 FIG. 3 is a rear view thereof.  
 The broken line showings of the attachment hardware are for illustrative purposes only and form no part of the claimed invention.

(56) **References Cited**

**U.S. PATENT DOCUMENTS**

- D210,071 S \* 2/1968 Gregg ..... D12/194
- D435,498 S \* 12/2000 Bassani ..... D12/194
- D445,074 S \* 7/2001 Feuling ..... D12/194
- D454,320 S \* 3/2002 Martin ..... D12/194
- D460,726 S \* 7/2002 Campbell et al. .... D12/194

**1 Claim, 1 Drawing Sheet**



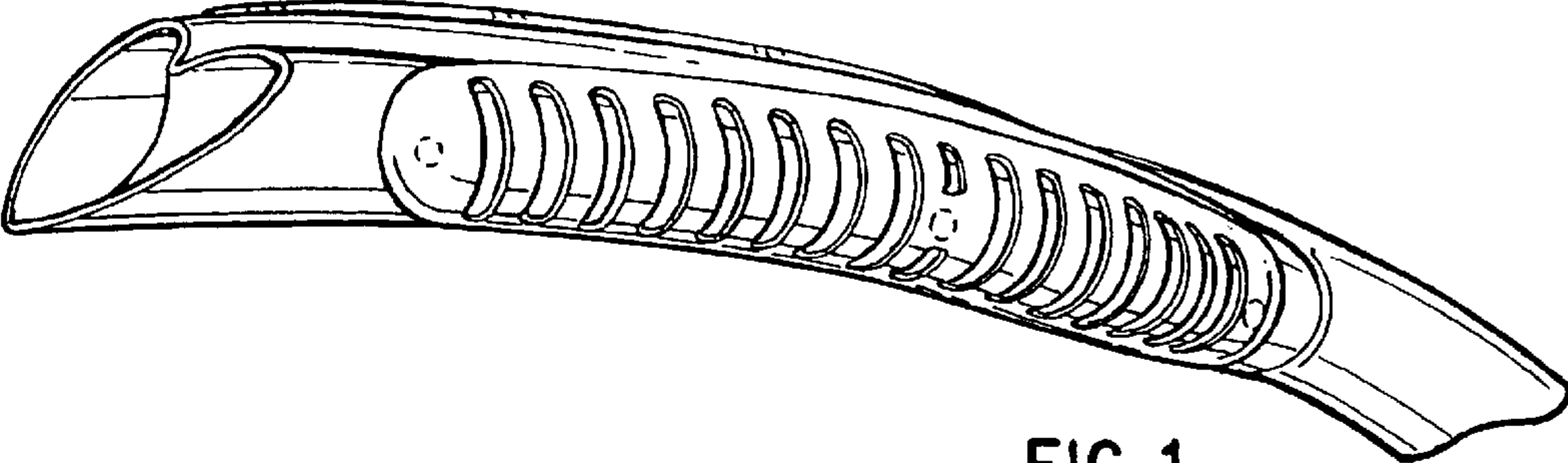


FIG. 1

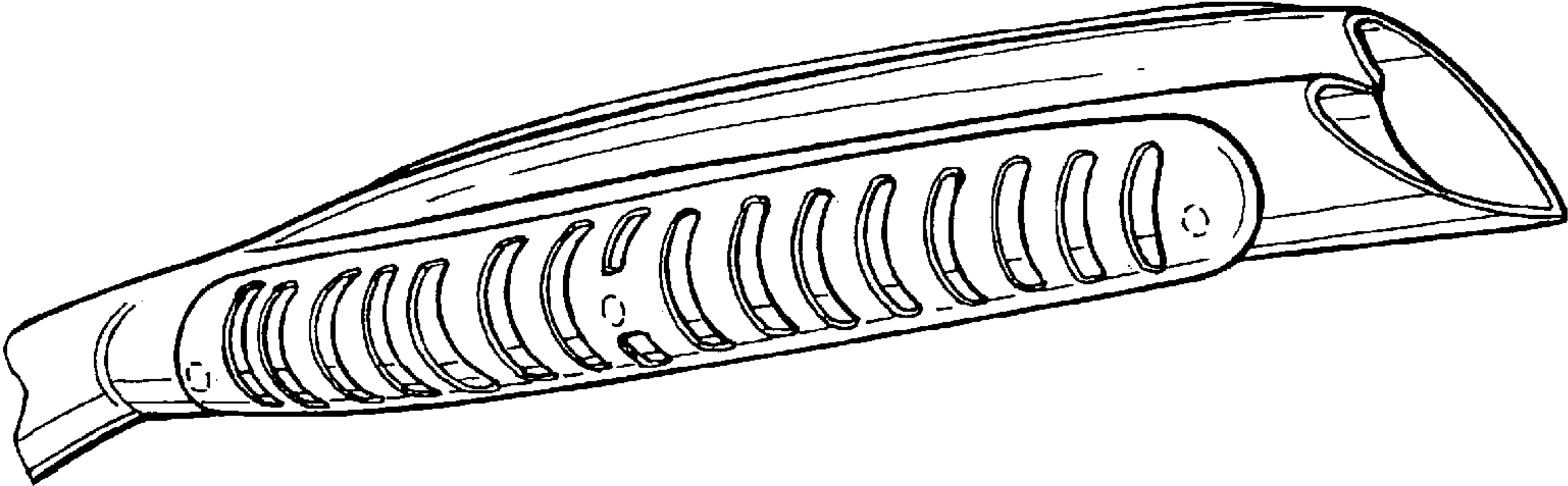


FIG. 2

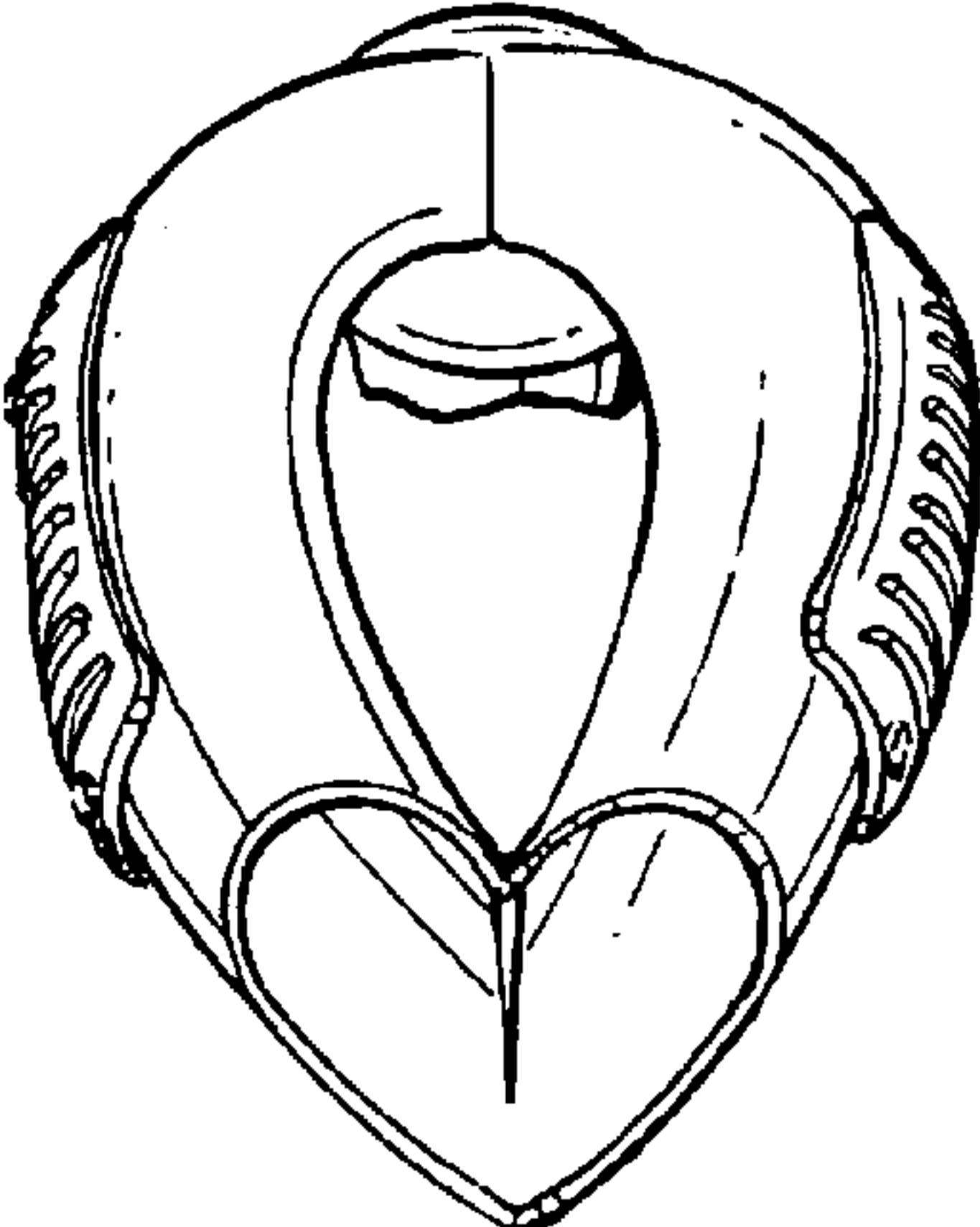


FIG. 3