

US00D495628S1

(12) **United States Design Patent**
Cowie

(10) **Patent No.:** **US D495,628 S**

(45) **Date of Patent:** **** Sep. 7, 2004**

(54) **WALKER**

D448,706 S * 10/2001 Ferm D12/130
D451,053 S * 11/2001 Hallgrimsson D12/130
D475,323 S * 6/2003 Hallgrimsson D12/130

(75) **Inventor:** **Ross Lyell Cowie, Ottawa (CA)**

(73) **Assignee:** **Random Products Trust, Bridgetown (BB)**

* cited by examiner

Primary Examiner—Marcus A. Jackson

(**) **Term:** **14 Years**

(57) **CLAIM**

The ornamental design for a walker, as shown and described.

(21) **Appl. No.:** **29/176,035**

(22) **Filed:** **Feb. 19, 2003**

DESCRIPTION

(51) **LOC (7) Cl.** **12-12**

(52) **U.S. Cl.** **D12/130**

(58) **Field of Search** D12/128-133;
135/65, 66, 67, 70; 428/66, 68, 69, 139;
280/47.27, 47.28, 47.29, 47.35; 5/86.1

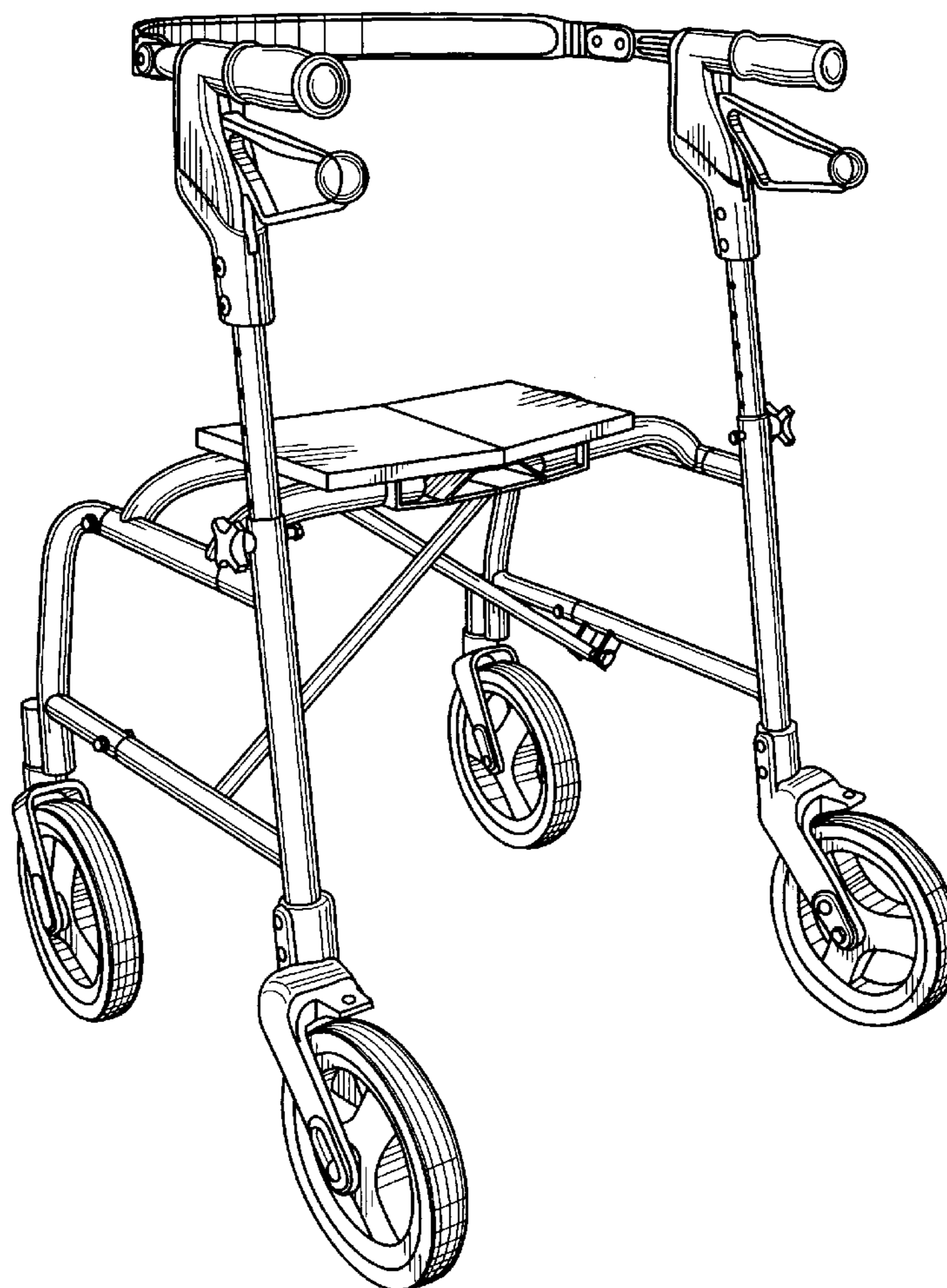
FIG. 1 is a side view of the walker showing my new design;
FIG. 2 is a top view thereof;
FIG. 3 is a bottom view thereof;
FIG. 4 is a rear view thereof;
FIG. 5 is a front view thereof;
FIG. 6 is a side view showing the side opposite to FIG. 1 thereof;
FIG. 7 is a rear perspective view thereof; and,
FIG. 8 is a front perspective view in its folded position thereof.

(56) **References Cited**

U.S. PATENT DOCUMENTS

D396,437 S * 7/1998 Liljedahl D12/130
D427,115 S * 6/2000 Kjell et al. D12/130
D441,694 S * 5/2001 Kjell et al. D12/130

1 Claim, 4 Drawing Sheets



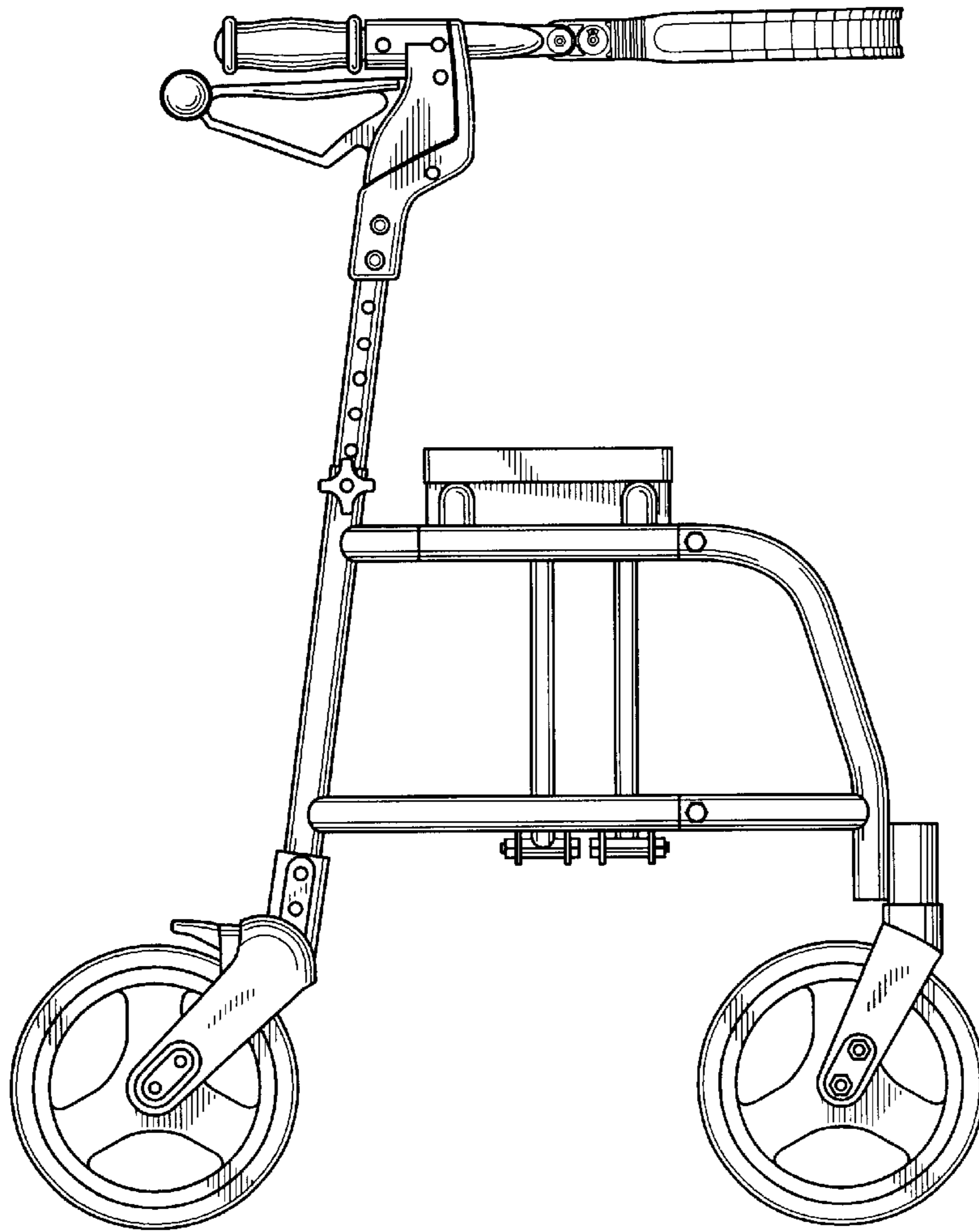


FIG. 1

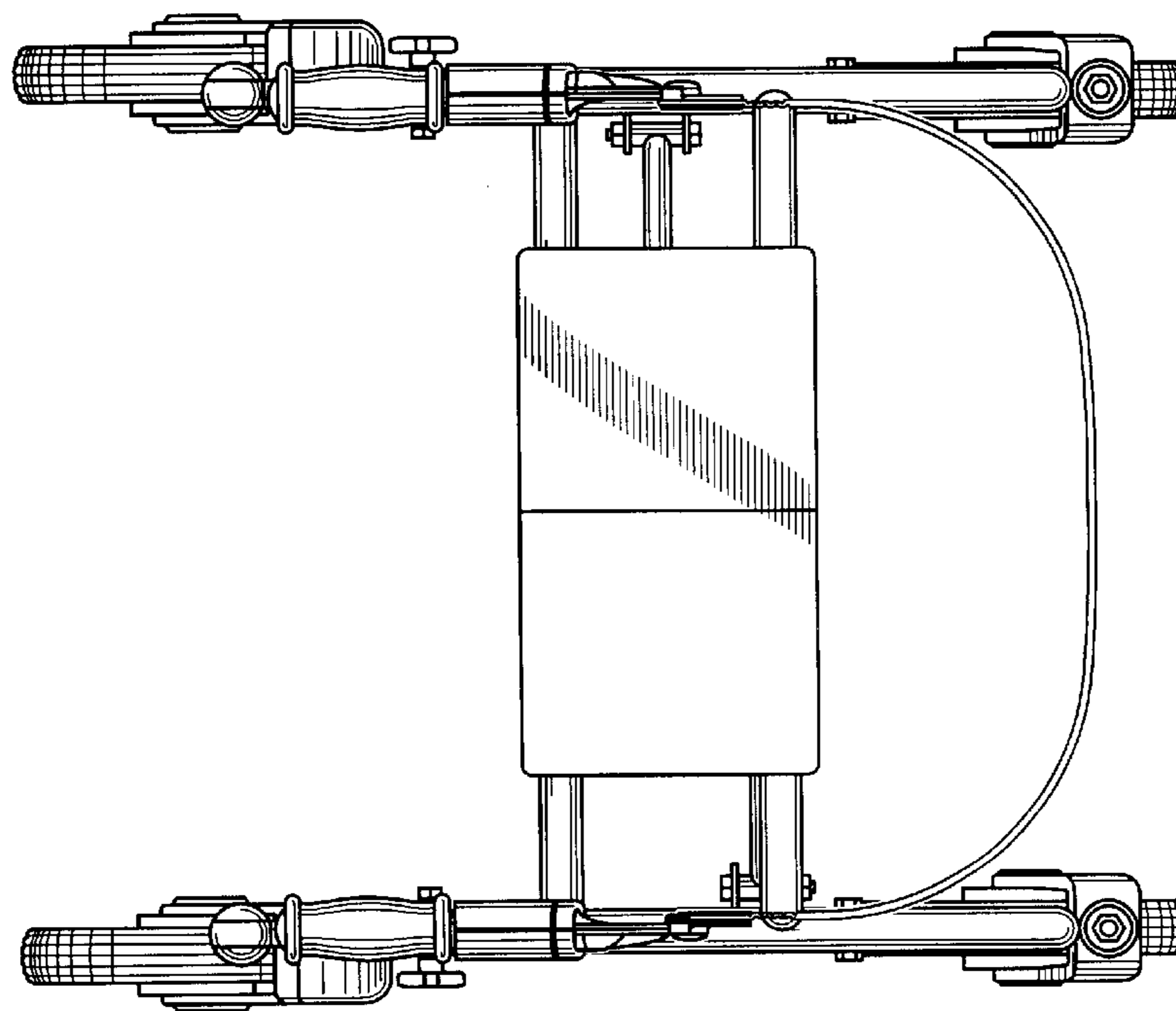


FIG. 2

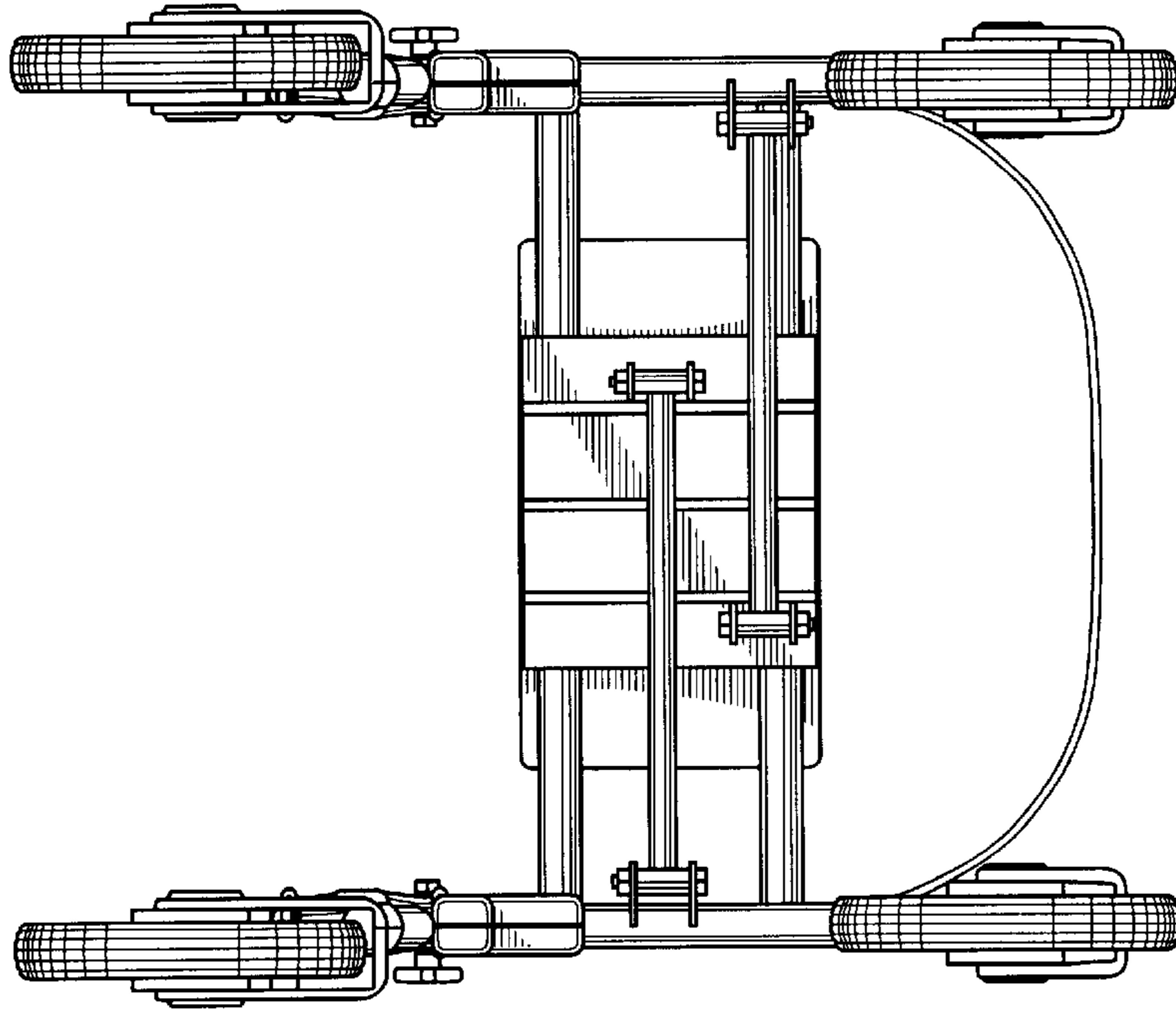


FIG. 3

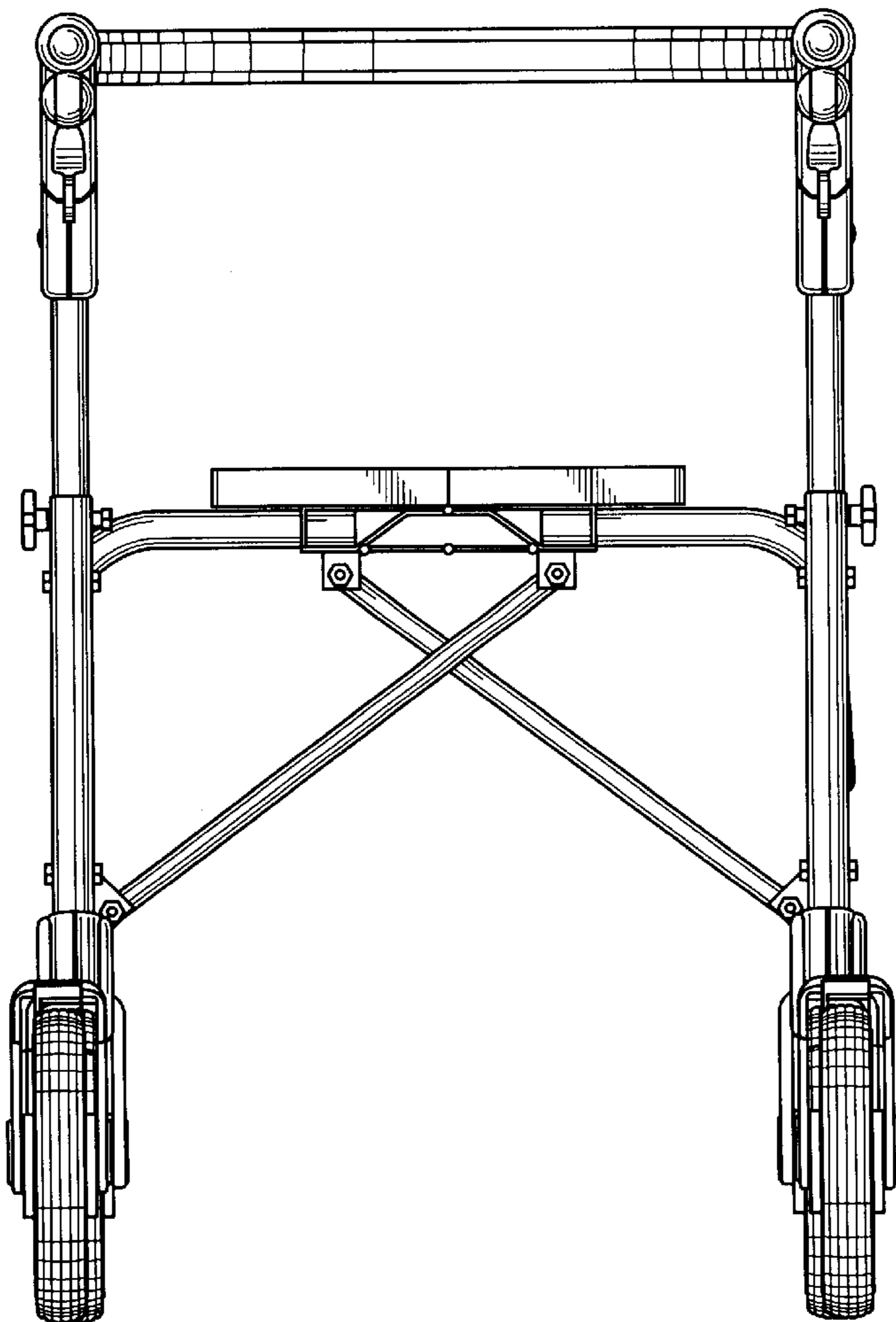


FIG. 4

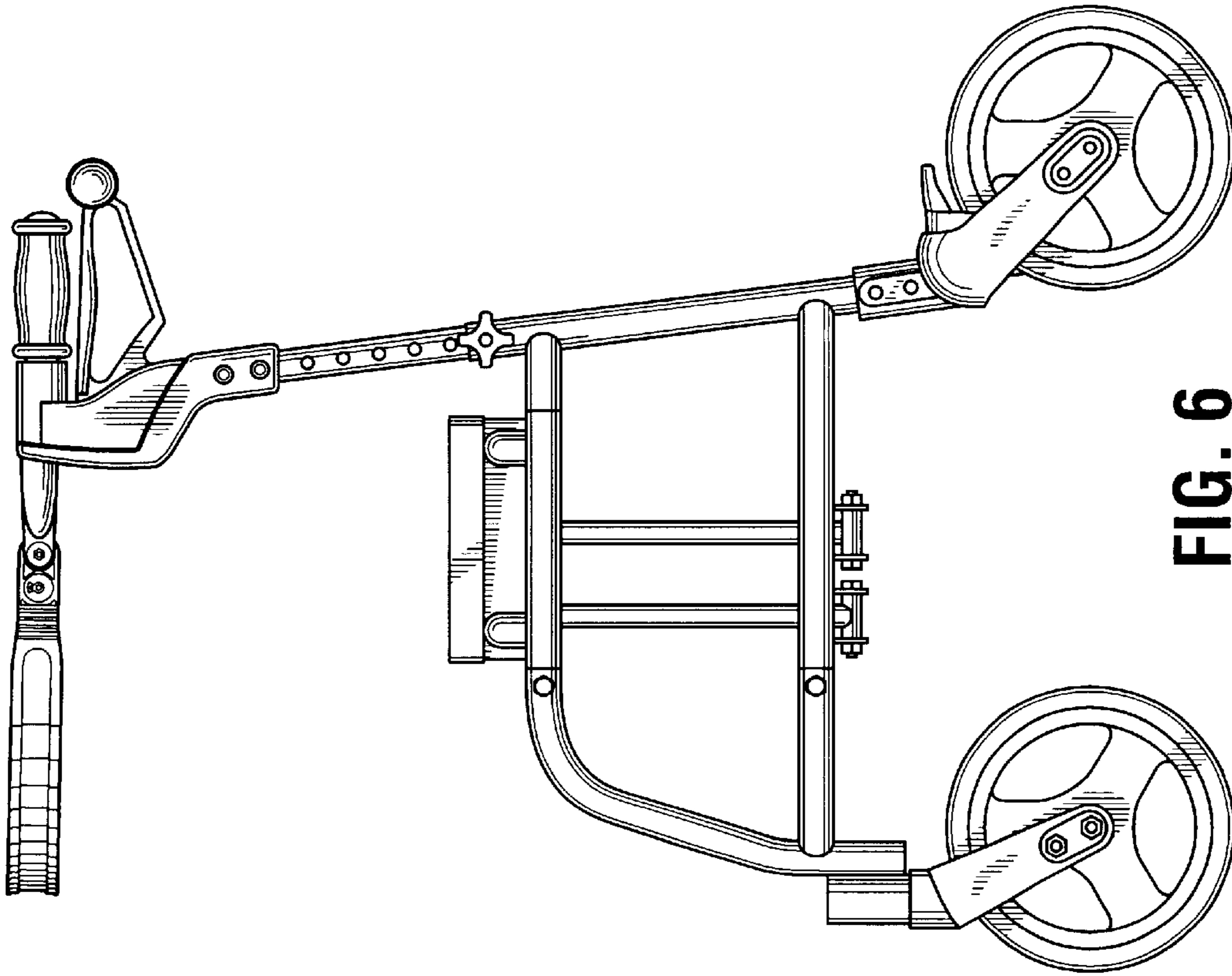


FIG. 6

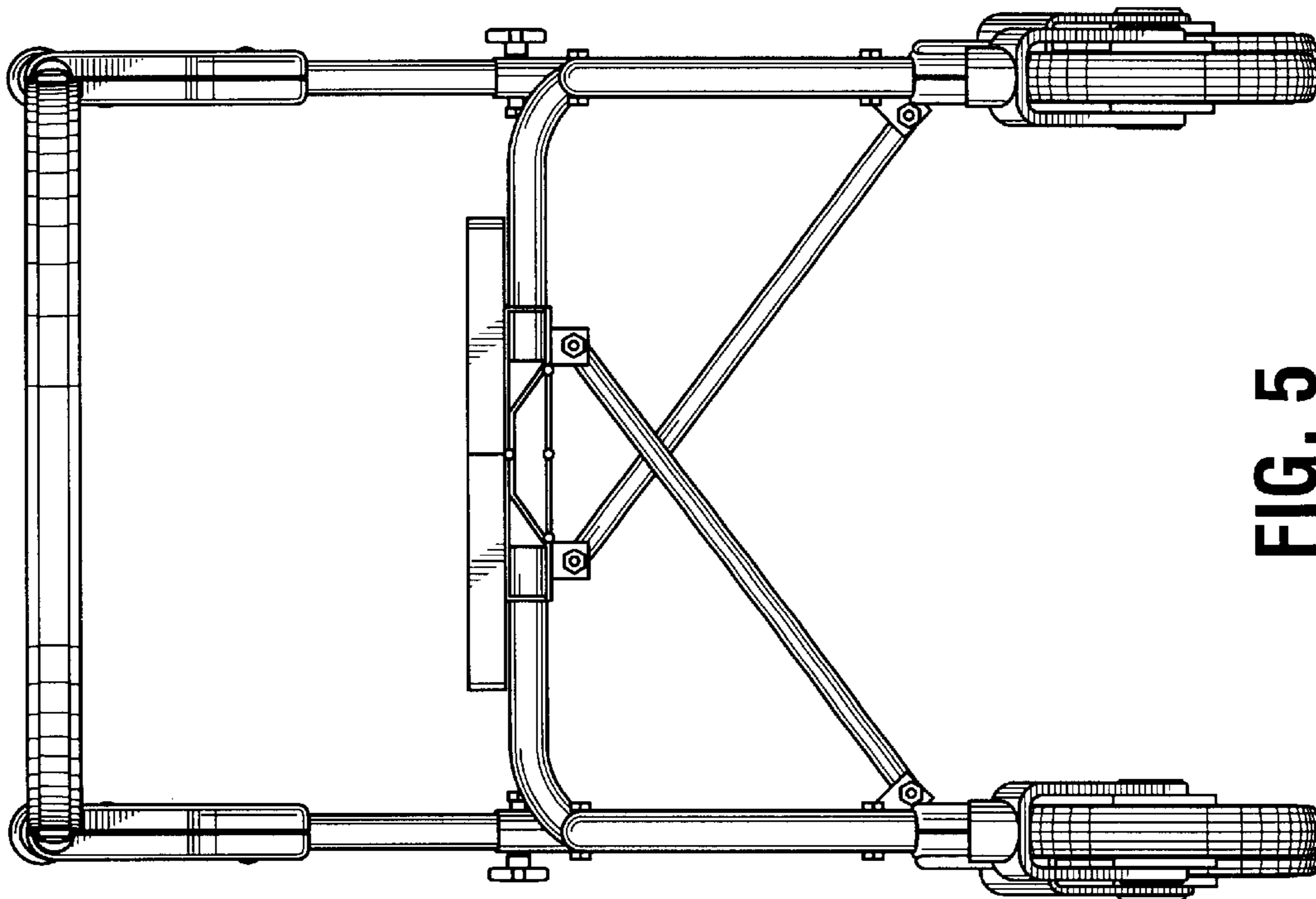


FIG. 5

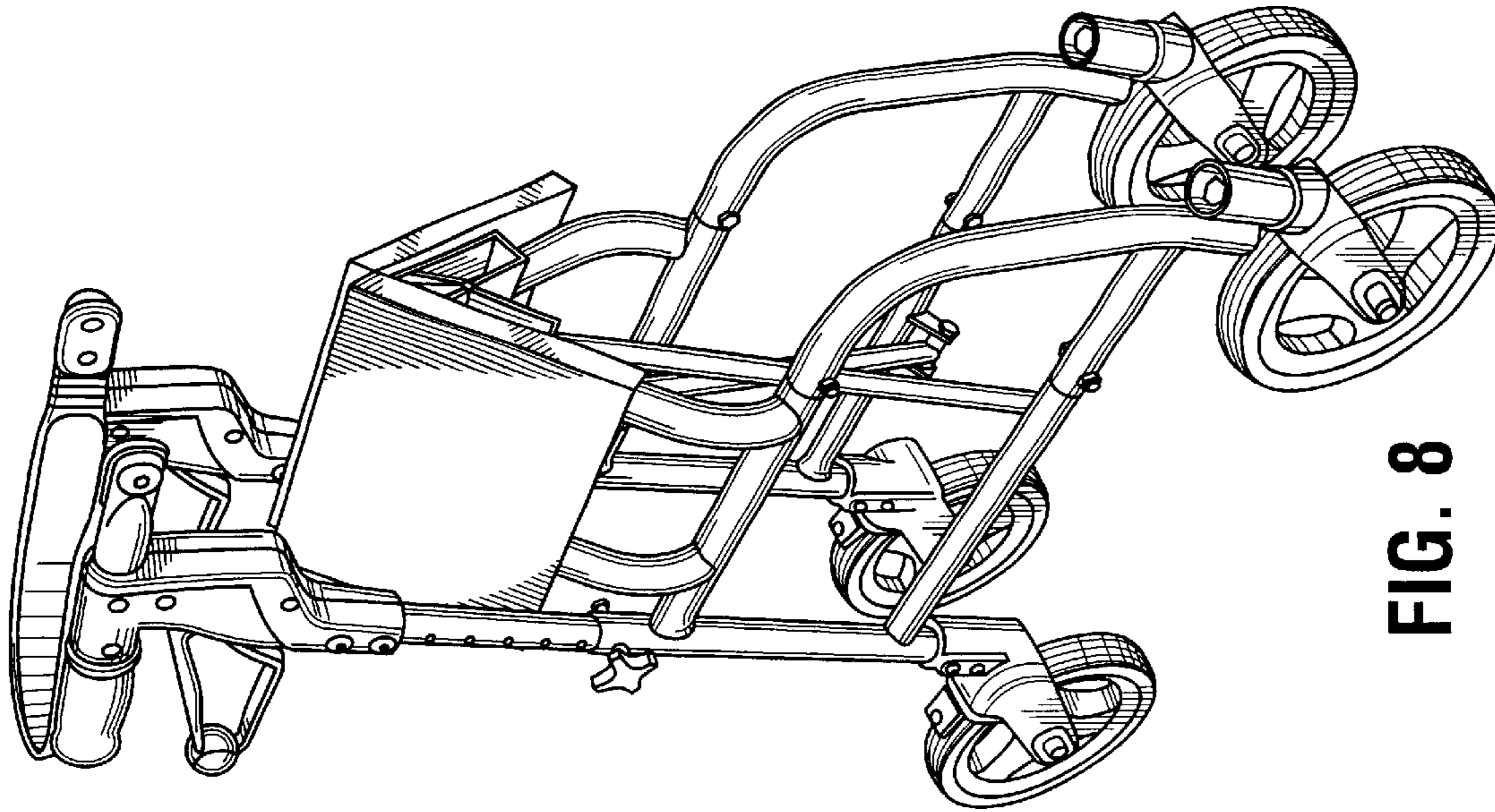


FIG. 8

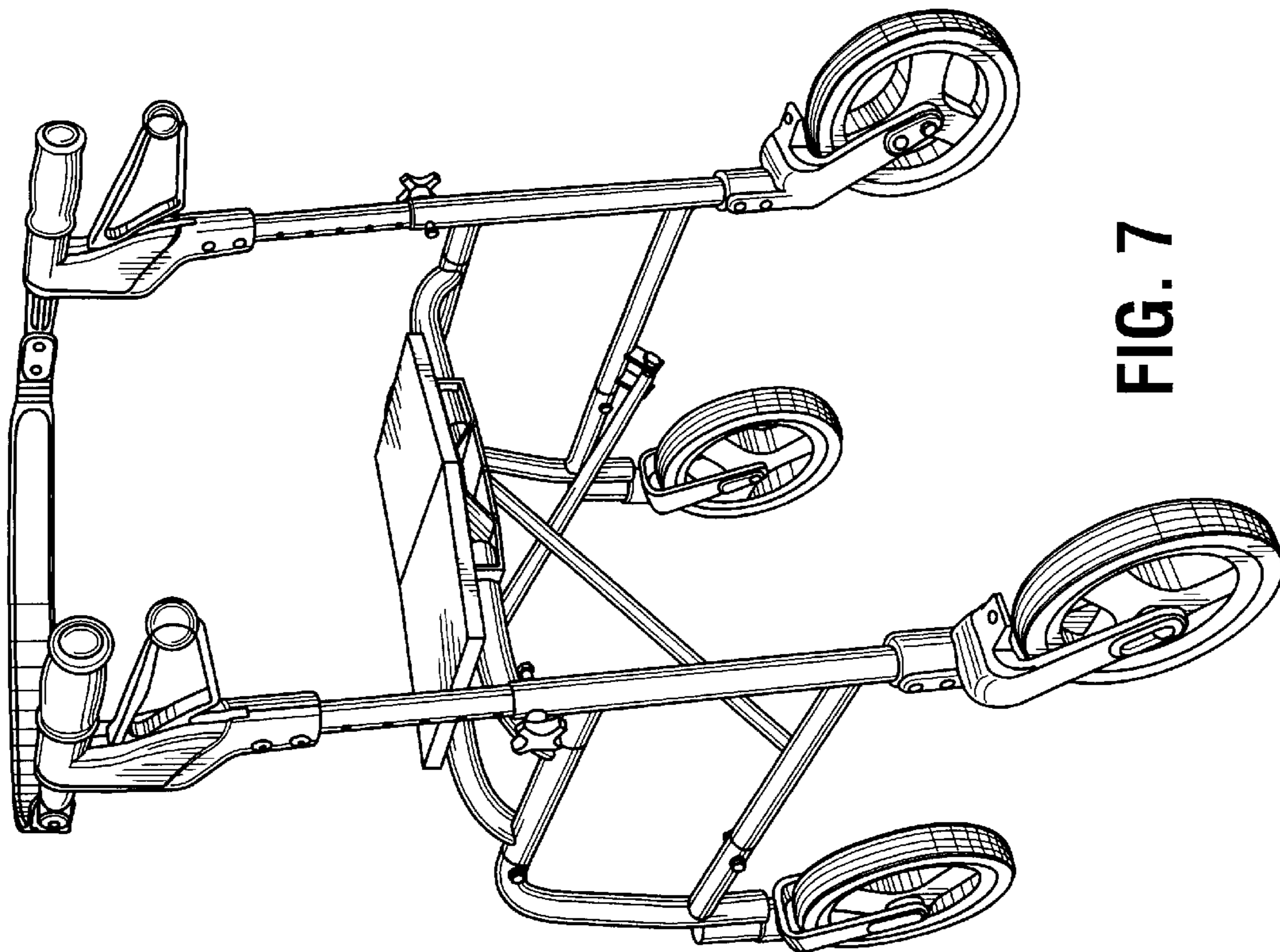


FIG. 7