

US00D495626S1

(12) **United States Design Patent**
Depeyster et al.

(10) **Patent No.:** **US D495,626 S**

(45) **Date of Patent:** **** Sep. 7, 2004**

(54) **PICK UP TRUCK**

(75) Inventors: **Damon Depeyster**, Harper Woods, MI (US); **James Grake**, Royal Oak, MI (US); **Lon Zaback**, Farmington Hills, MI (US); **Patrick Schiavone**, Birmingham, MI (US); **Sean Tant**, Livonia, MI (US)

(73) Assignee: **Ford Global Technologies, LLC**, Dearborn, MI (US)

(**) Term: **14 Years**

(21) Appl. No.: **29/172,163**

(22) Filed: **Dec. 9, 2002**

(51) **LOC (7) Cl.** **12-08**

(52) **U.S. Cl.** **D12/98**

(58) **Field of Search** D12/93, 98; 296/183, 296/185, 186

(56) **References Cited**

U.S. PATENT DOCUMENTS

D430,068 S * 8/2000 Castiglione et al. D12/98

D456,311 S * 4/2002 Yamamoto et al. D12/86

D466,451 S * 12/2002 Trostle et al. D12/98

D479,158 S * 9/2003 Hayashi et al. D12/98

* cited by examiner

Primary Examiner—Melody N. Brown

(74) *Attorney, Agent, or Firm*—Gigette M. Bejin

(57) **CLAIM**

The ornamental design for a pick up truck, as shown and described.

DESCRIPTION

FIG. 1 is a perspective view of a pick up truck in accordance with a preferred embodiment of the present invention;

FIG. 2 is another perspective view of a pick up truck in accordance with a preferred embodiment of the present invention;

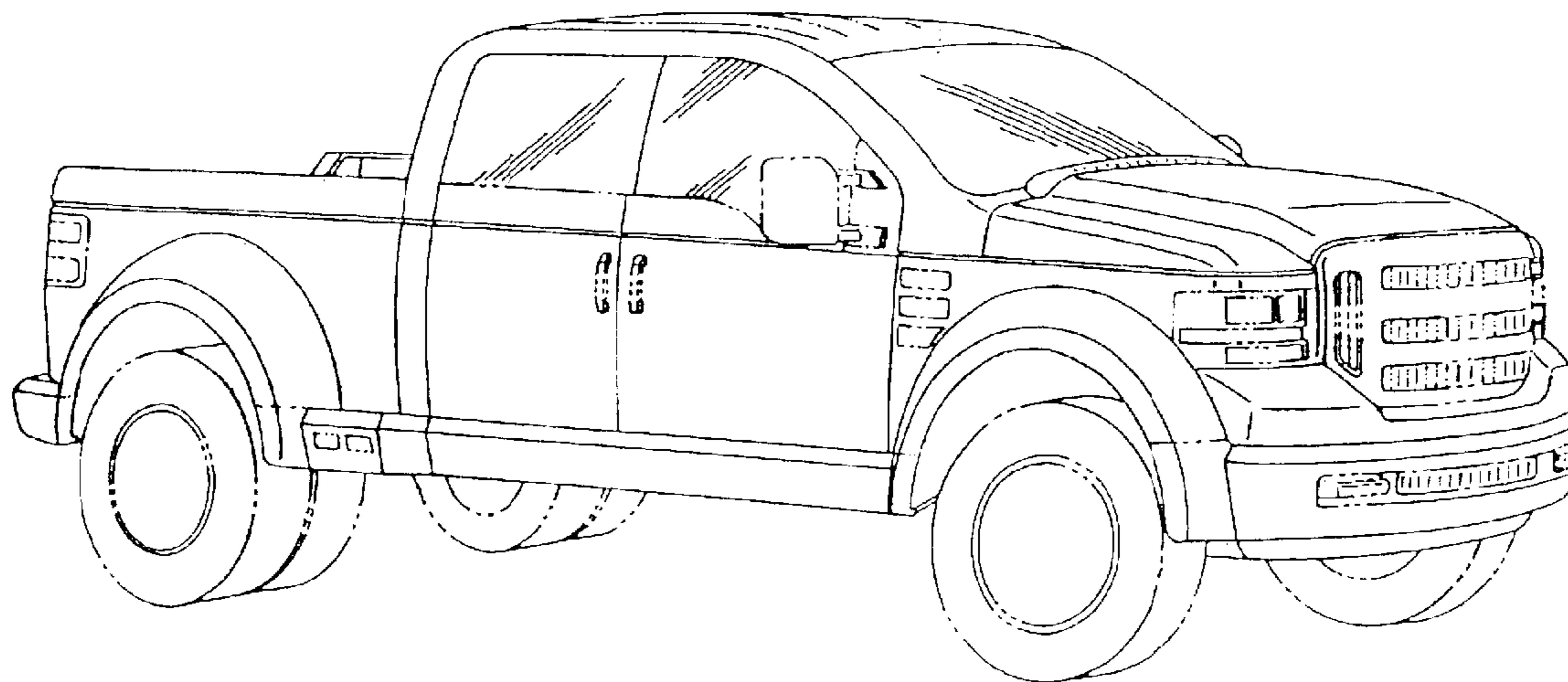
FIG. 3 is a side view of a pick up truck in accordance with a preferred embodiment of the present invention;

FIG. 4 is a front view of a pick up truck in accordance with a preferred embodiment of the present invention; and,

FIG. 5 is a rear view of a pick up truck in accordance with a preferred embodiment of the present invention.

The bottom view of the vehicle is not part of the claimed design. The sides of the vehicle are mirror images of one another. The broken lines, including for the tires, the headlamps, and the grill illustrate the environment of the design and are not part of the claimed design.

1 Claim, 4 Drawing Sheets



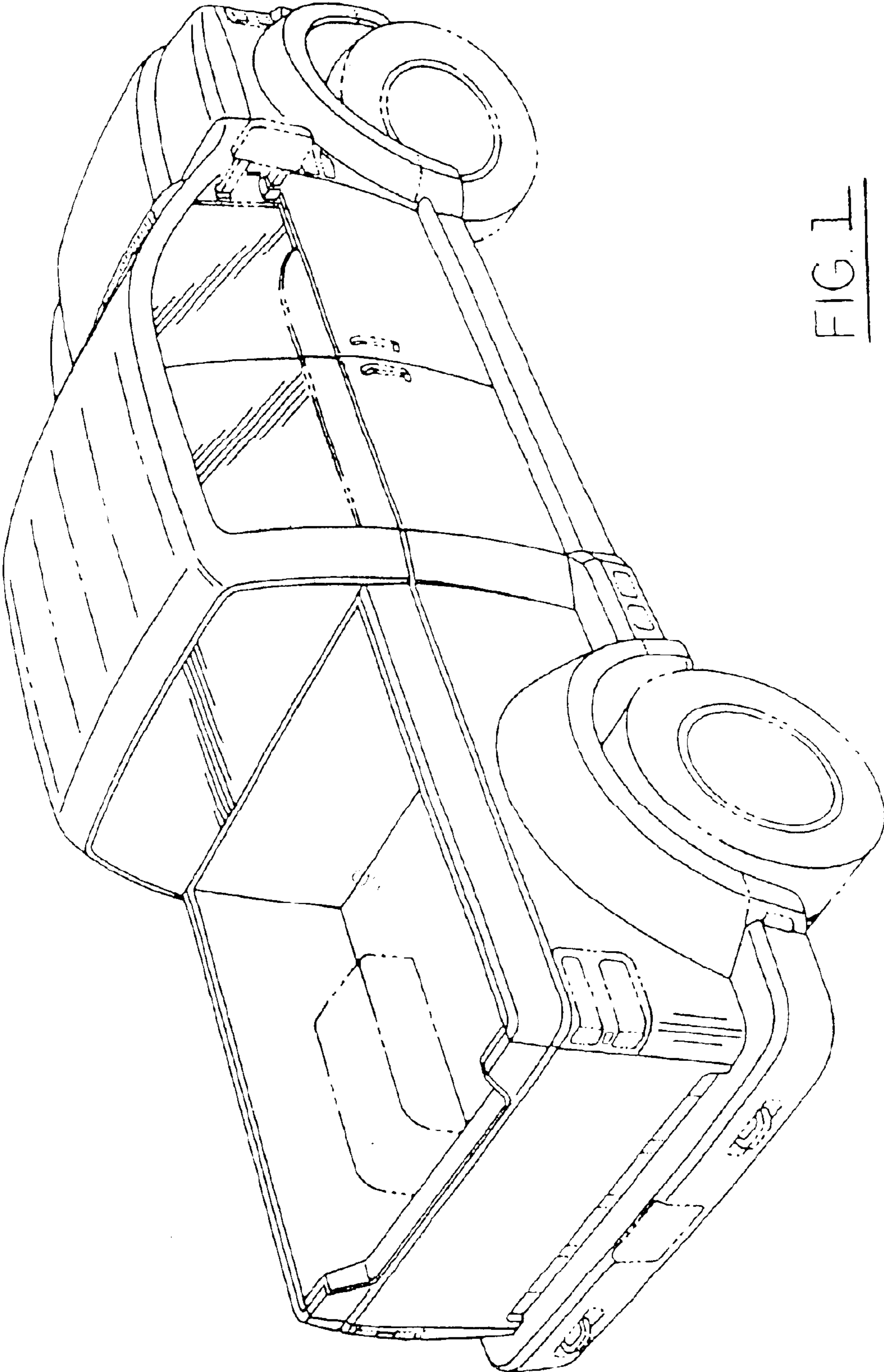


FIG. 1

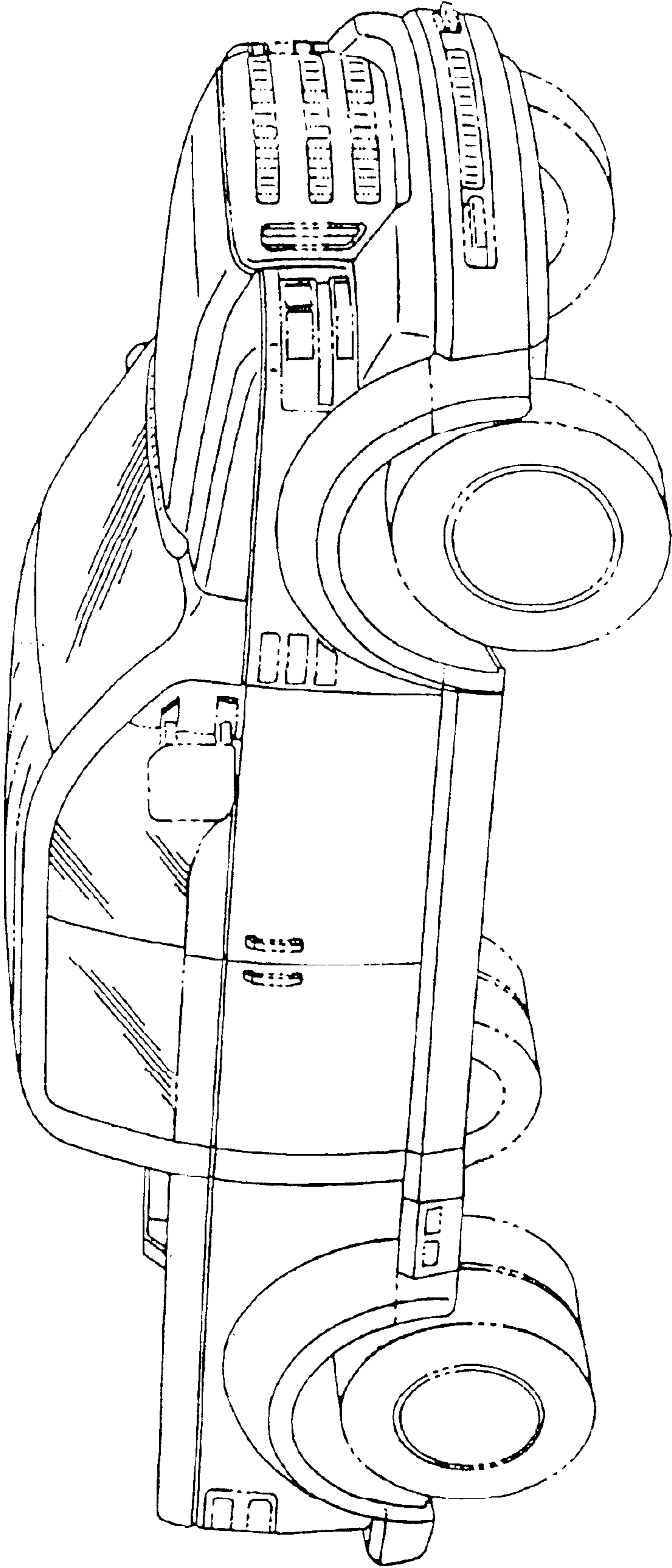


FIG. 2

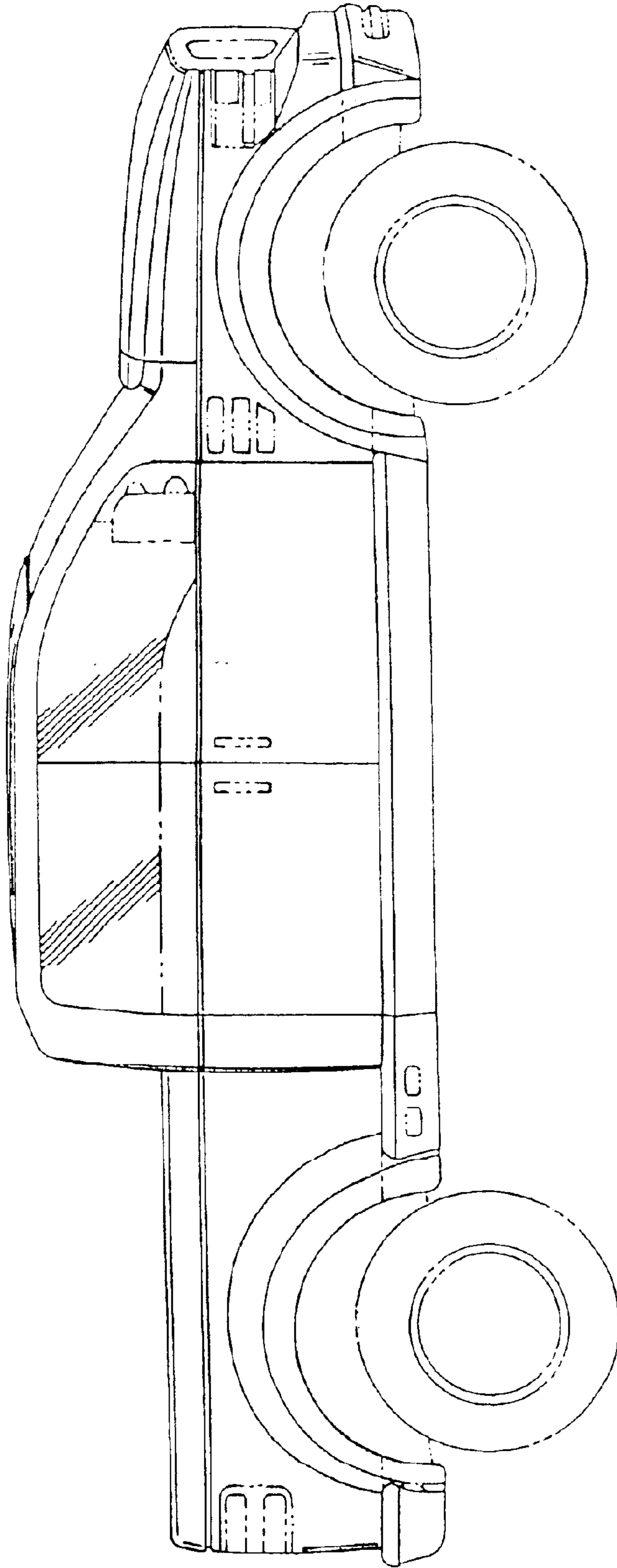


FIG. 3

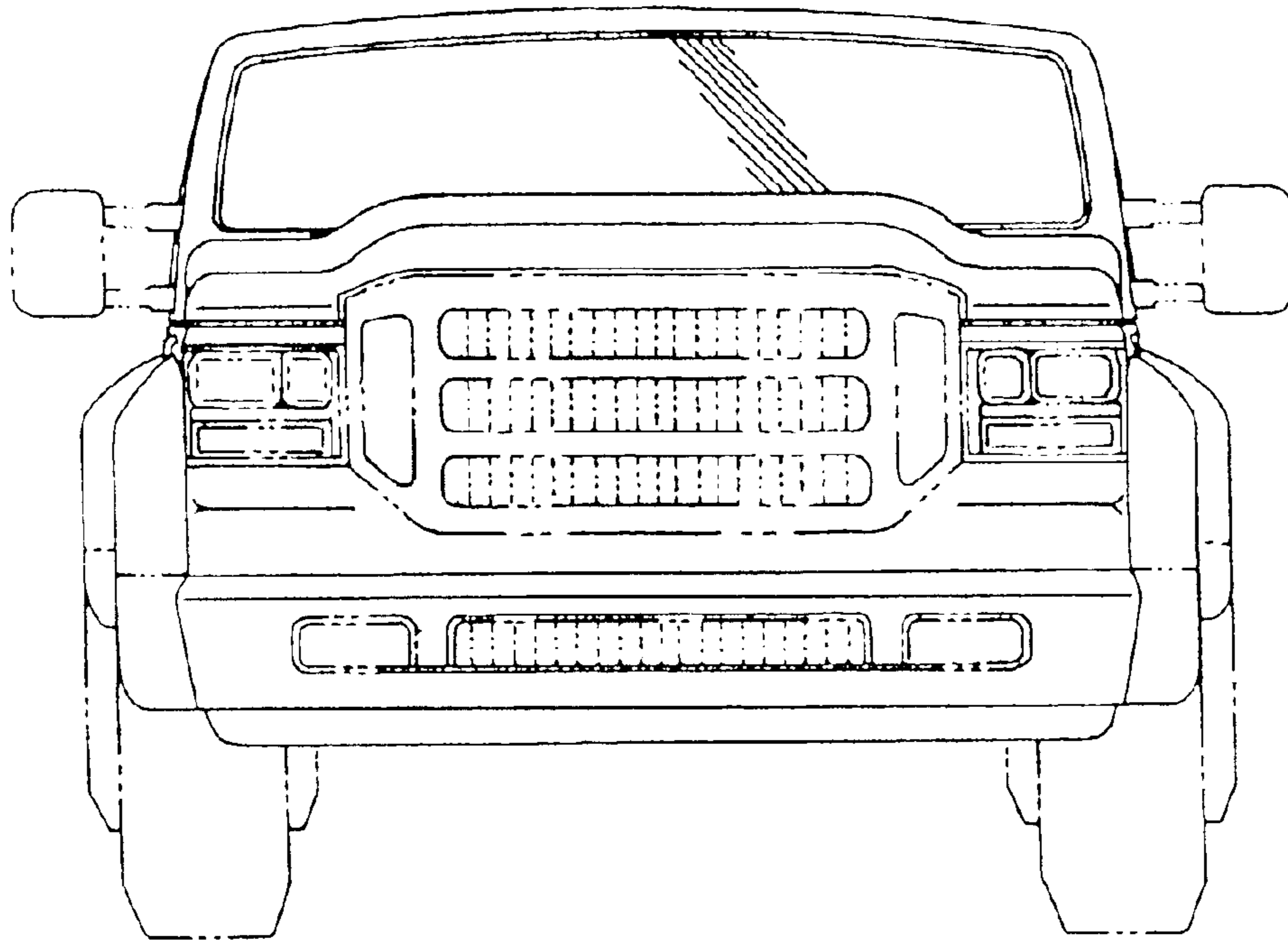


FIG. 4

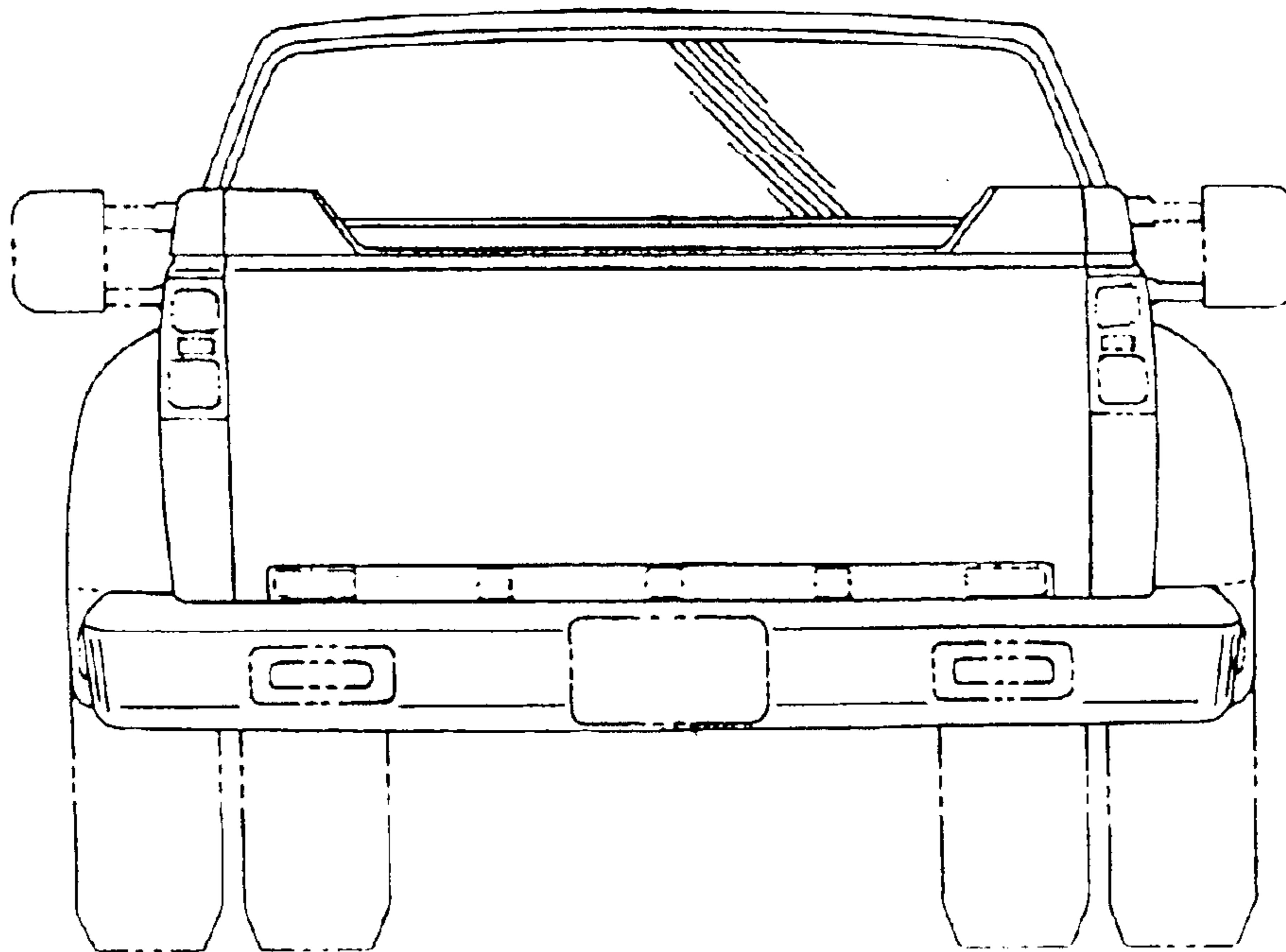


FIG. 5