

US00D495625S1

(12) **United States Design Patent**
Doyle et al.

(10) **Patent No.:** **US D495,625 S**
(45) **Date of Patent:** **** Sep. 7, 2004**

(54) **VEHICLE**

(75) Inventors: **Tim Doyle**, Manhattan Beach, CA (US); **Catalin Matei**, Redondo Beach, CA (US); **Pamela Austin**, Huntington Beach, CA (US)

(73) Assignee: **Honda Motor Co., Ltd.**, Tokyo (JP)

(**) Term: **14 Years**

(21) Appl. No.: **29/192,610**

(22) Filed: **Oct. 28, 2003**

Related U.S. Application Data

(63) Continuation of application No. 29/187,584, filed on Aug. 5, 2003, now abandoned.

(51) **LOC (7) Cl.** **12-08**

(52) **U.S. Cl.** **D12/92**

(58) **Field of Search** D12/90-92, 86; D21/424, 433; 296/435, 539, 549, 185

(56) **References Cited**

U.S. PATENT DOCUMENTS

D449,019 S * 10/2001 Simpson et al. D12/92

D457,107 S * 5/2002 Kember et al. D12/91
D466,054 S * 11/2002 Hsu D12/92
D479,154 S * 9/2003 Krugger et al. D12/91
D482,990 S * 12/2003 Sims et al. D12/91
D485,210 S * 1/2004 Sinkwitz et al. D12/91

* cited by examiner

Primary Examiner—Melody N. Brown

(74) *Attorney, Agent, or Firm*—Plumsea Law Group, LLC

(57) **CLAIM**

The ornamental design for a vehicle, as shown and described.

DESCRIPTION

FIG. 1 is a front perspective view of a vehicle showing our new design;

FIG. 2 is a rear perspective view thereof;

FIG. 3 is a side elevational view thereof, the opposite side being a mirror image;

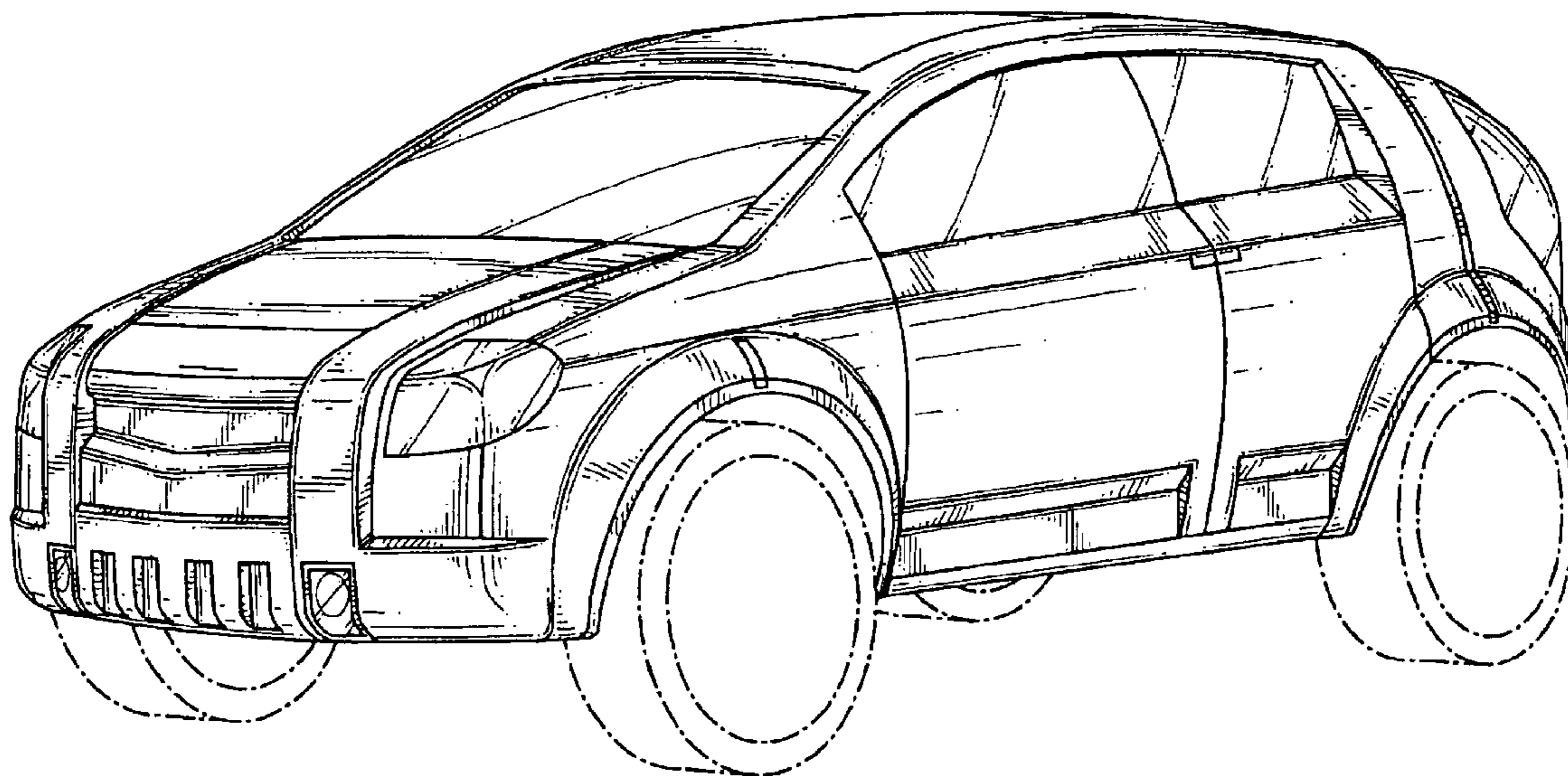
FIG. 4 is a front elevational view thereof;

FIG. 5 is a rear elevational view thereof; and,

FIG. 6 is a top plan view thereof.

The broken line showing of the wheels and tires is for illustrative purposes only and form no part of the claimed design.

1 Claim, 6 Drawing Sheets



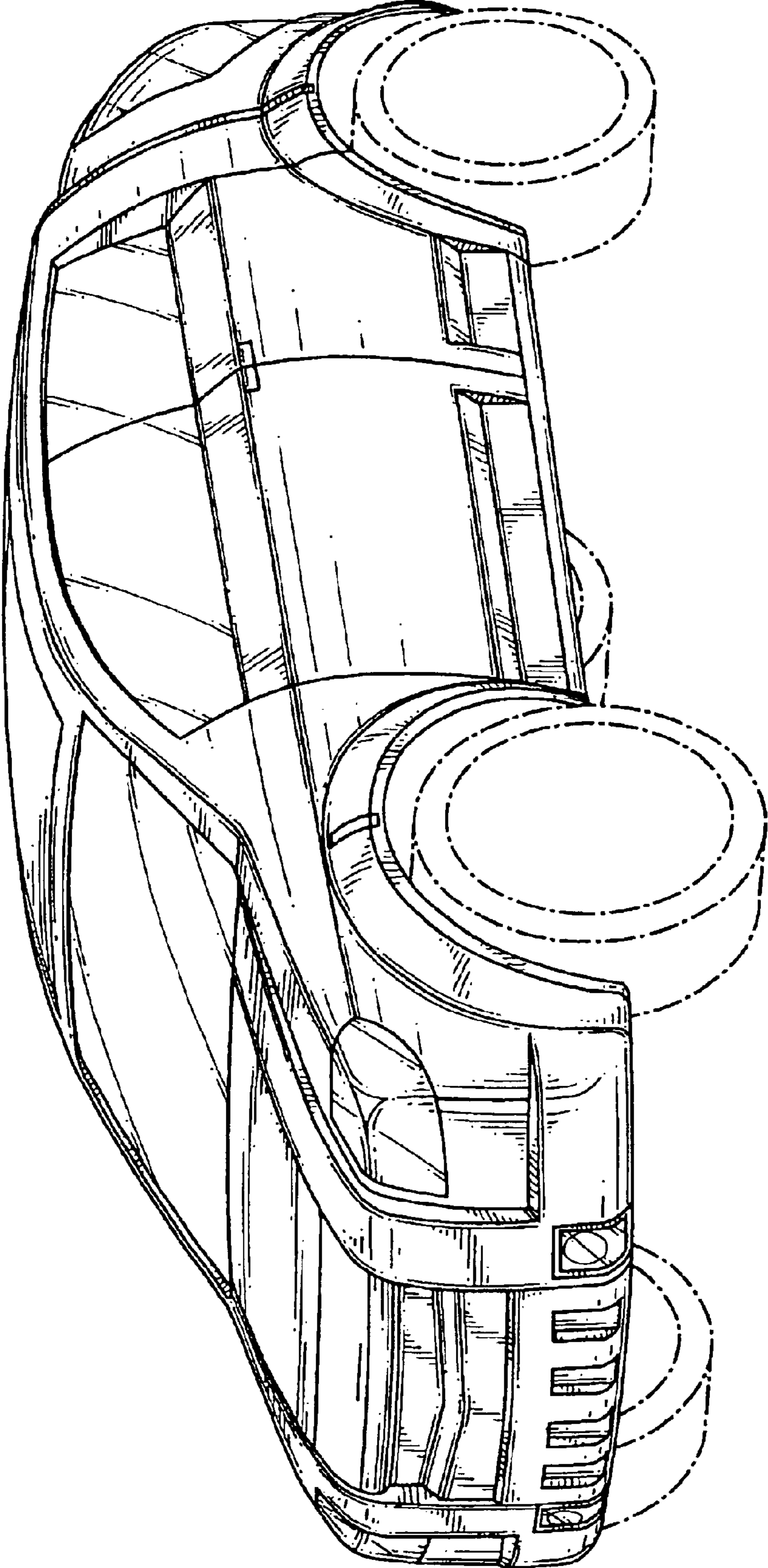


FIG.1

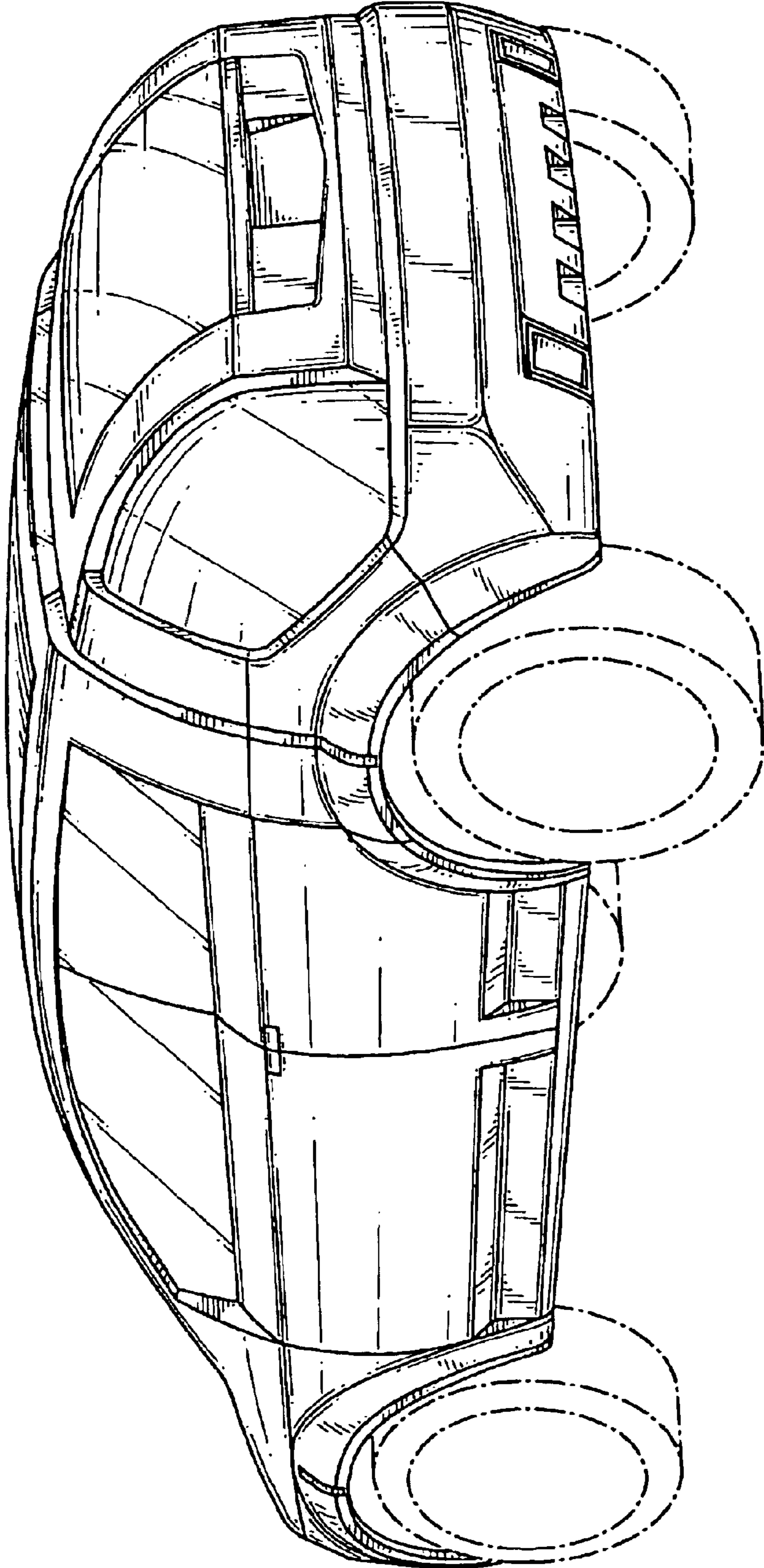


FIG.2

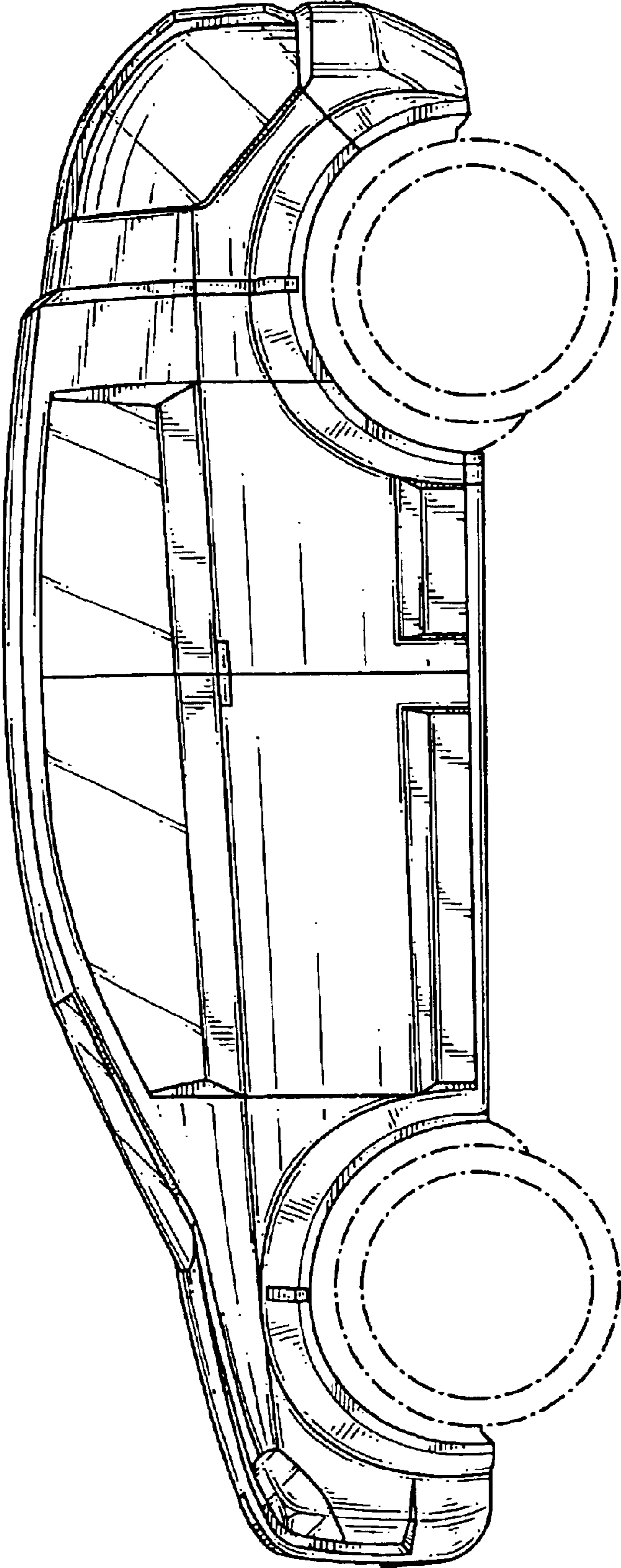


FIG.3

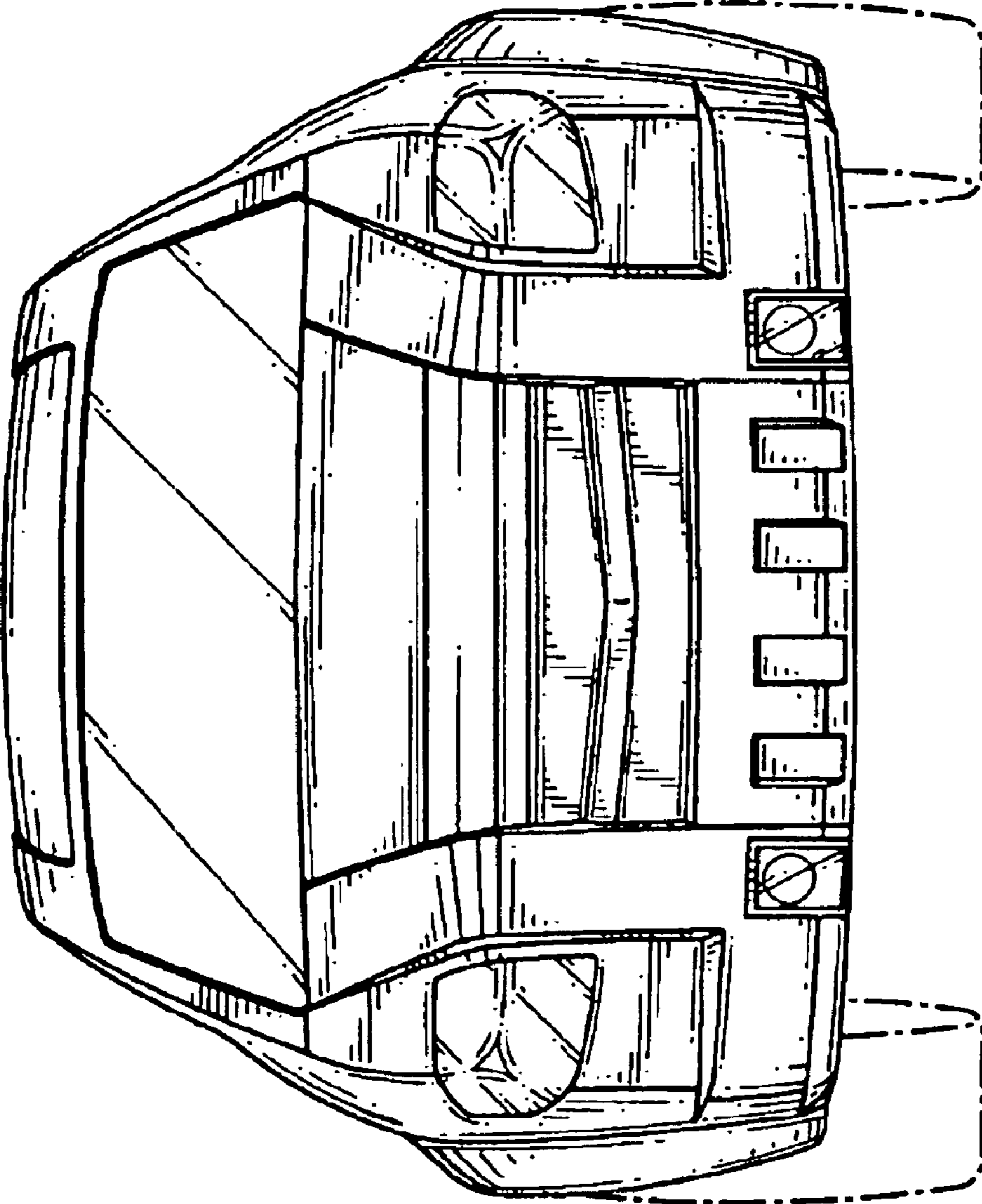


FIG.4

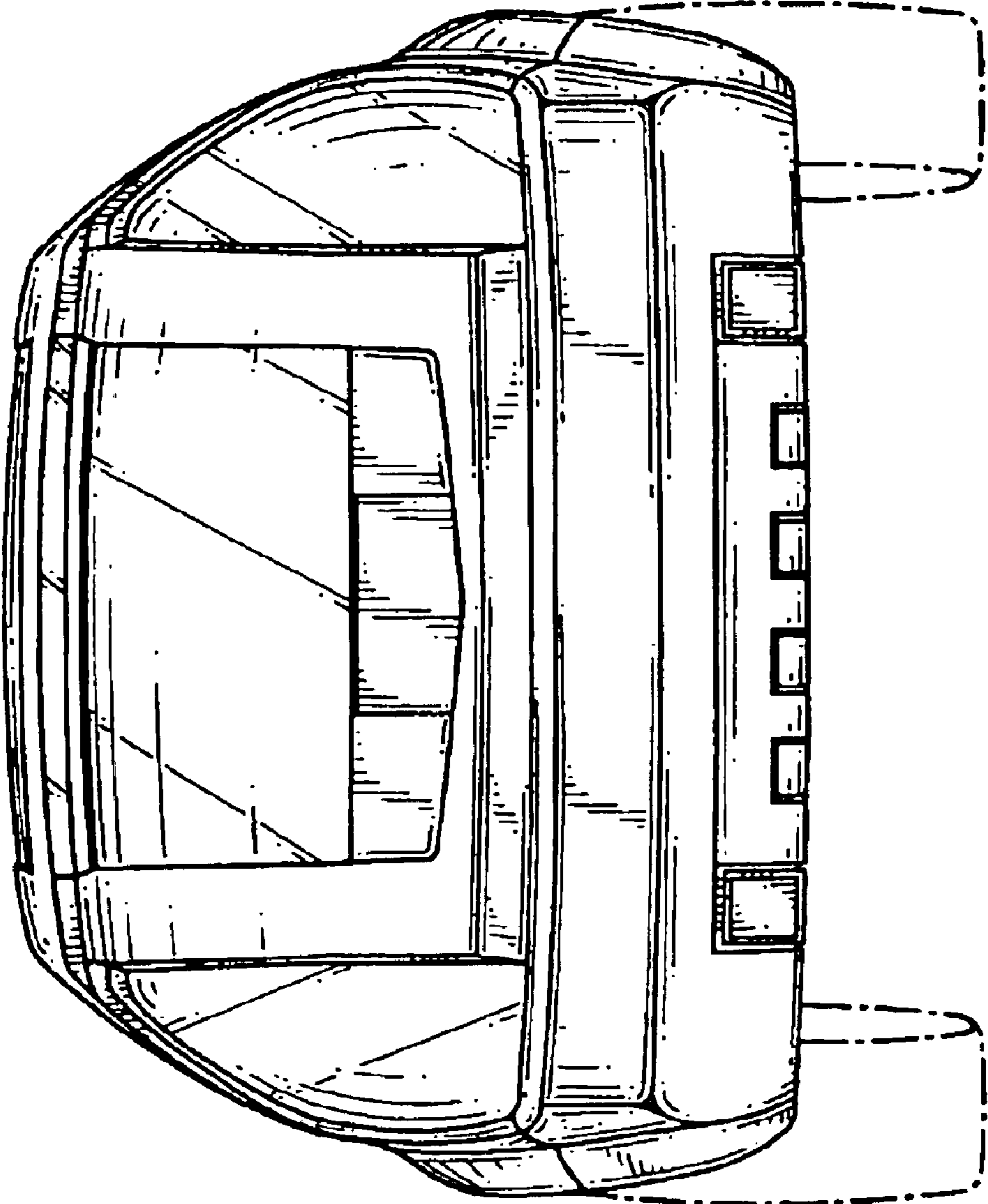


FIG.5

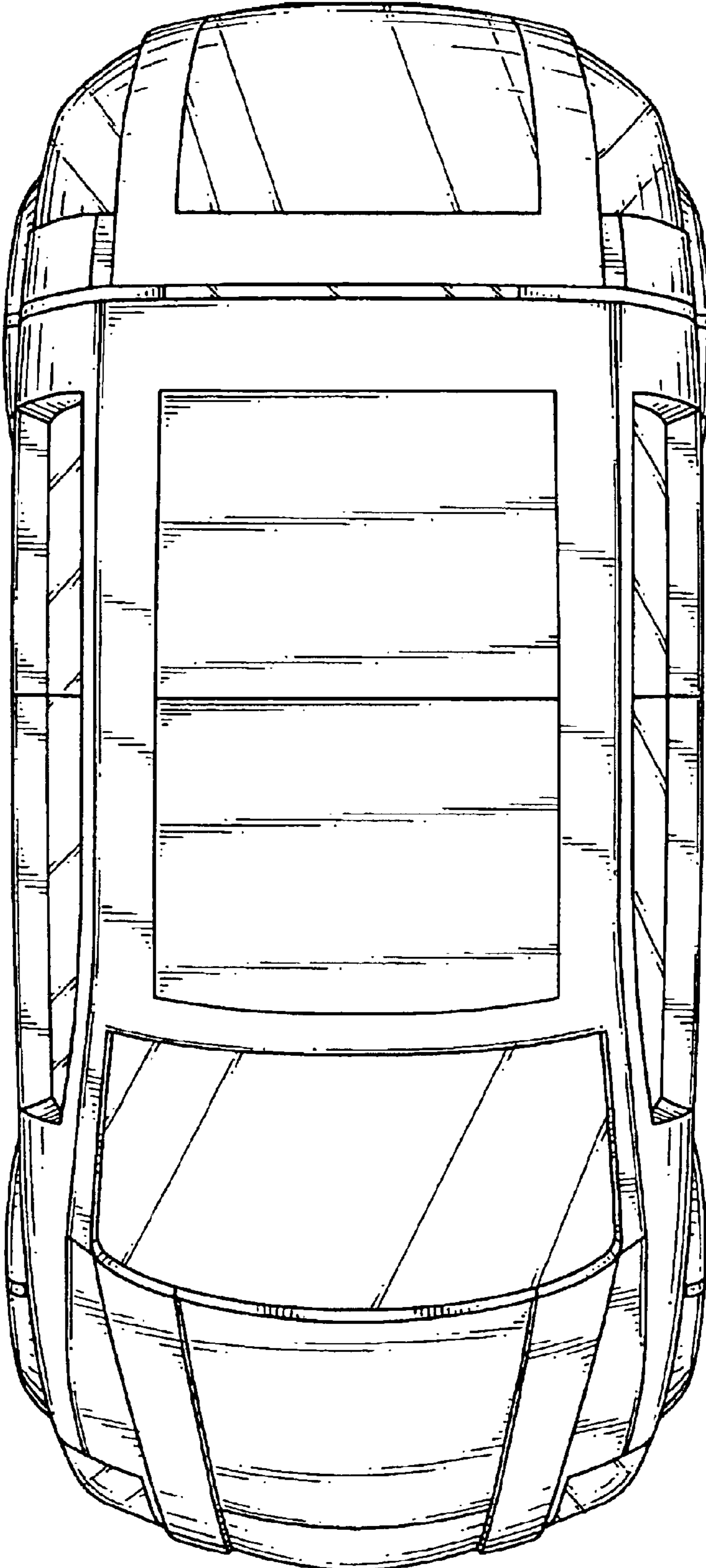


FIG.6