

US00D495621S1

(12) **United States Design Patent**
Sikina

(10) **Patent No.:** **US D495,621 S**

(45) **Date of Patent:** **** Sep. 7, 2004**

(54) **WATERING SYSTEM**

(75) **Inventor:** **John J. Sikina, Hatboro, PA (US)**

(73) **Assignee:** **W. Altee Burpee Company,**
Warminster, PA (US)

(**) **Term:** **14 Years**

(21) **Appl. No.:** **29/199,554**

(22) **Filed:** **Feb. 17, 2004**

(51) **LOC (7) Cl.** **11-02**

(52) **U.S. Cl.** **D11/155**

(58) **Field of Search** D11/143, 144,
D11/145, 152, 153, 155, 156; D9/9, 456;
248/27.8; 47/33, 65, 65.5, 69, 73, 74, 75,
77, 85, 86; 206/423, 518, 557, 558, 564,
521.1, 521.15

(56) **References Cited**

U.S. PATENT DOCUMENTS

D277,467 S	*	2/1985	Turunen	D11/155
D277,837 S	*	3/1985	Turunen	D11/155
D298,924 S	*	12/1988	Saارين	D11/155
D322,048 S	*	12/1991	Saارين	D11/155

D324,834 S	*	3/1992	Saارين	D9/341
D325,714 S	*	4/1992	Karhiniemi et al.	D11/155
D381,933 S	*	8/1997	Van Wingerden	D11/155
5,675,933 A	*	10/1997	Kawaguchi et al.	47/86
D401,530 S	*	11/1998	Keskilohko	D11/155
D419,913 S	*	2/2000	Thomas et al.	D11/156
6,536,361 B1	*	3/2003	Wu	47/86

* cited by examiner

Primary Examiner—Mimosa De

(74) *Attorney, Agent, or Firm*—Caesar, Rivise, Bernstein,
Cohen & Pokotilow, Ltd.

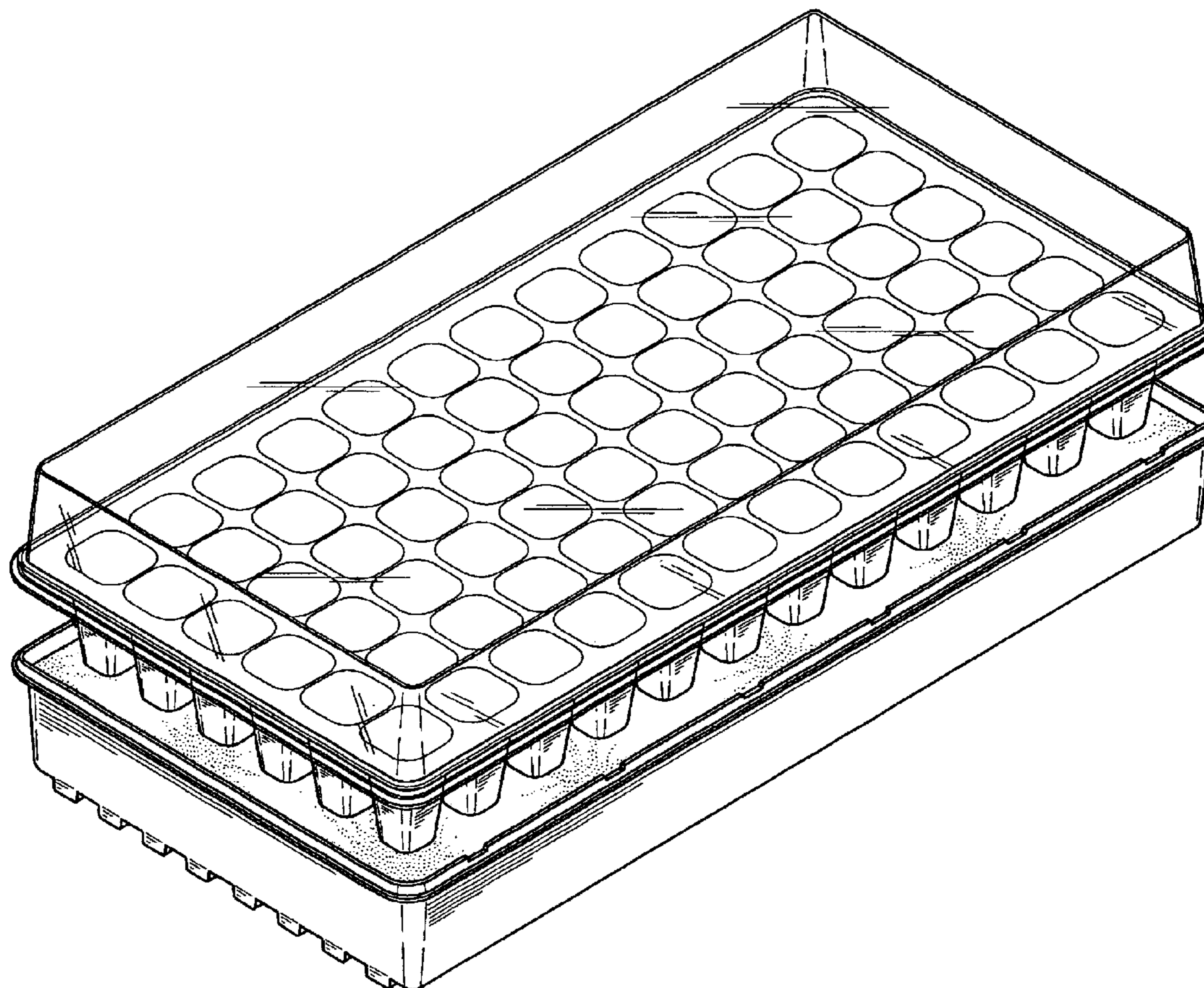
(57) **CLAIM**

The ornamental design for a watering system, as shown and described.

DESCRIPTION

FIG. 1 is a perspective view of the watering system embodying my new design;
FIG. 2 is a right side view thereof (the left side being a mirror image);
FIG. 3 is a front view thereof (the rear being a mirror image);
FIG. 4 is a top plan view thereof; and,
FIG. 5 is a bottom plan view thereof.

1 Claim, 4 Drawing Sheets



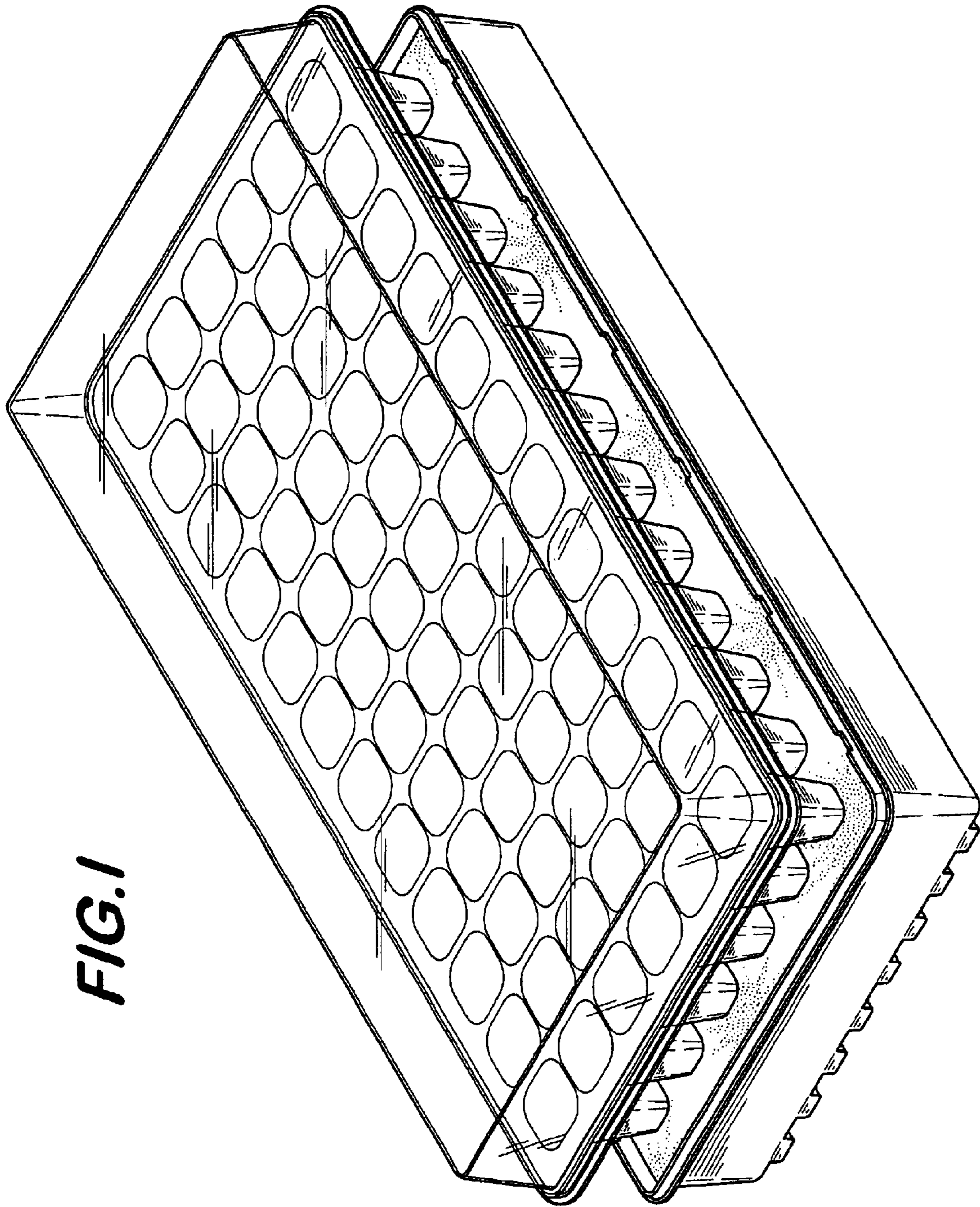


FIG. 1

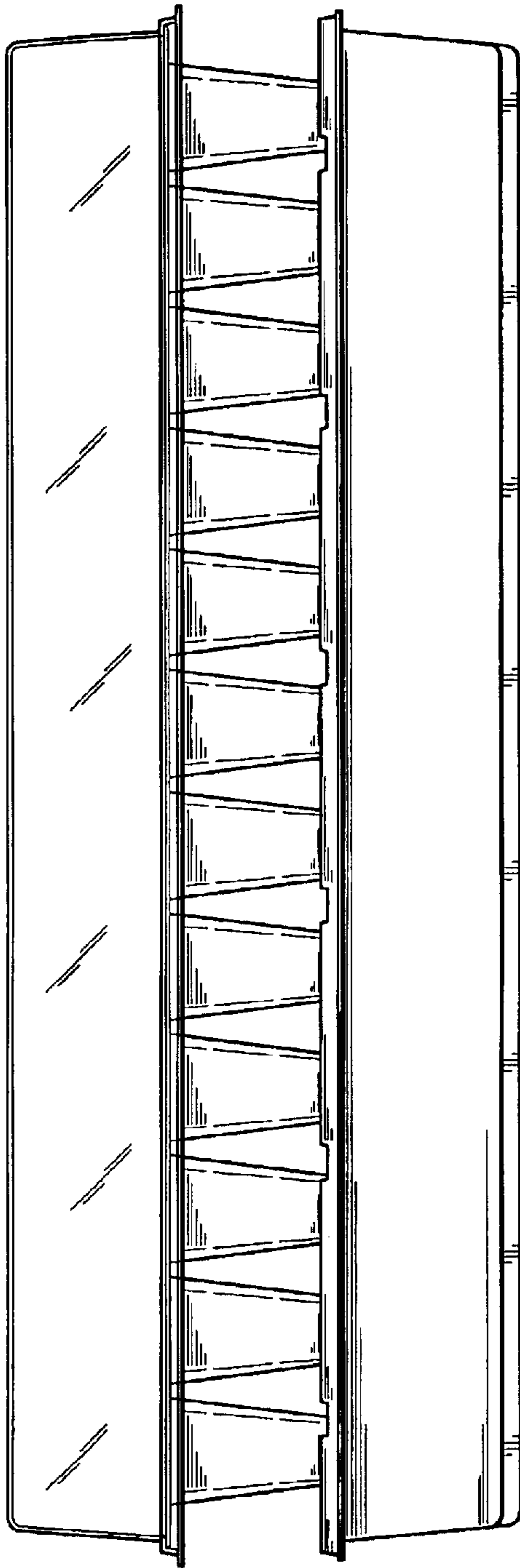


FIG. 2

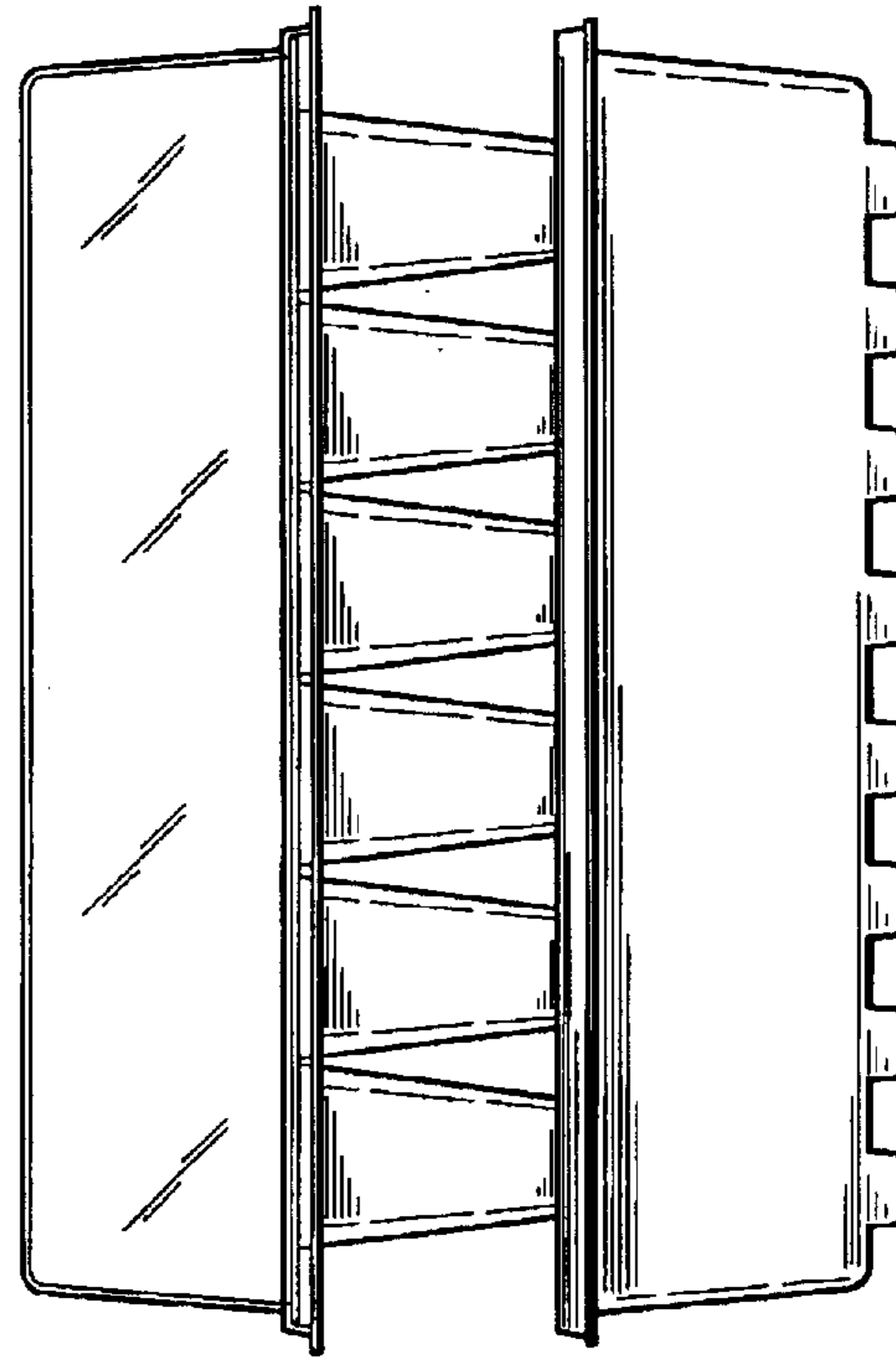


FIG. 3

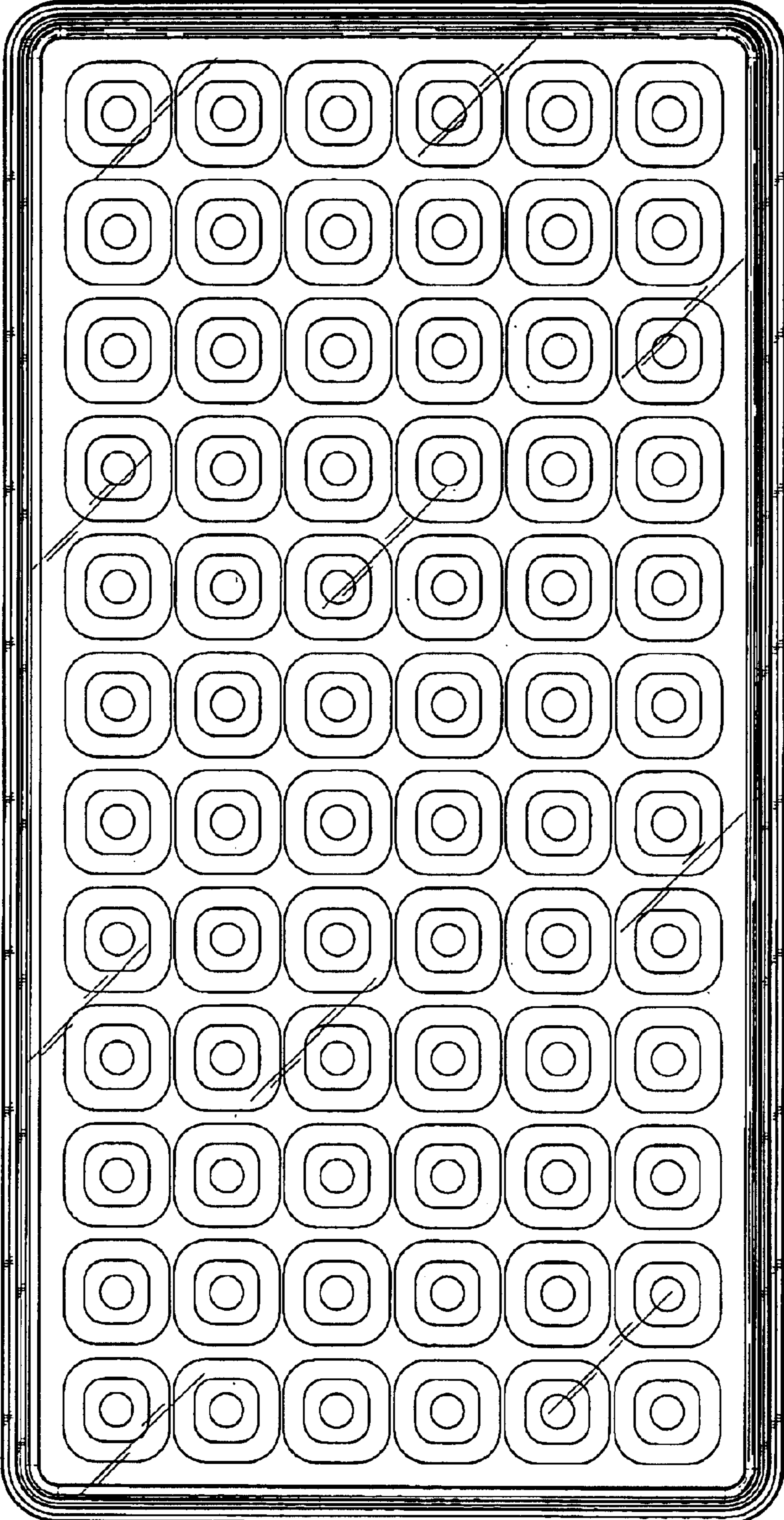


FIG. 4

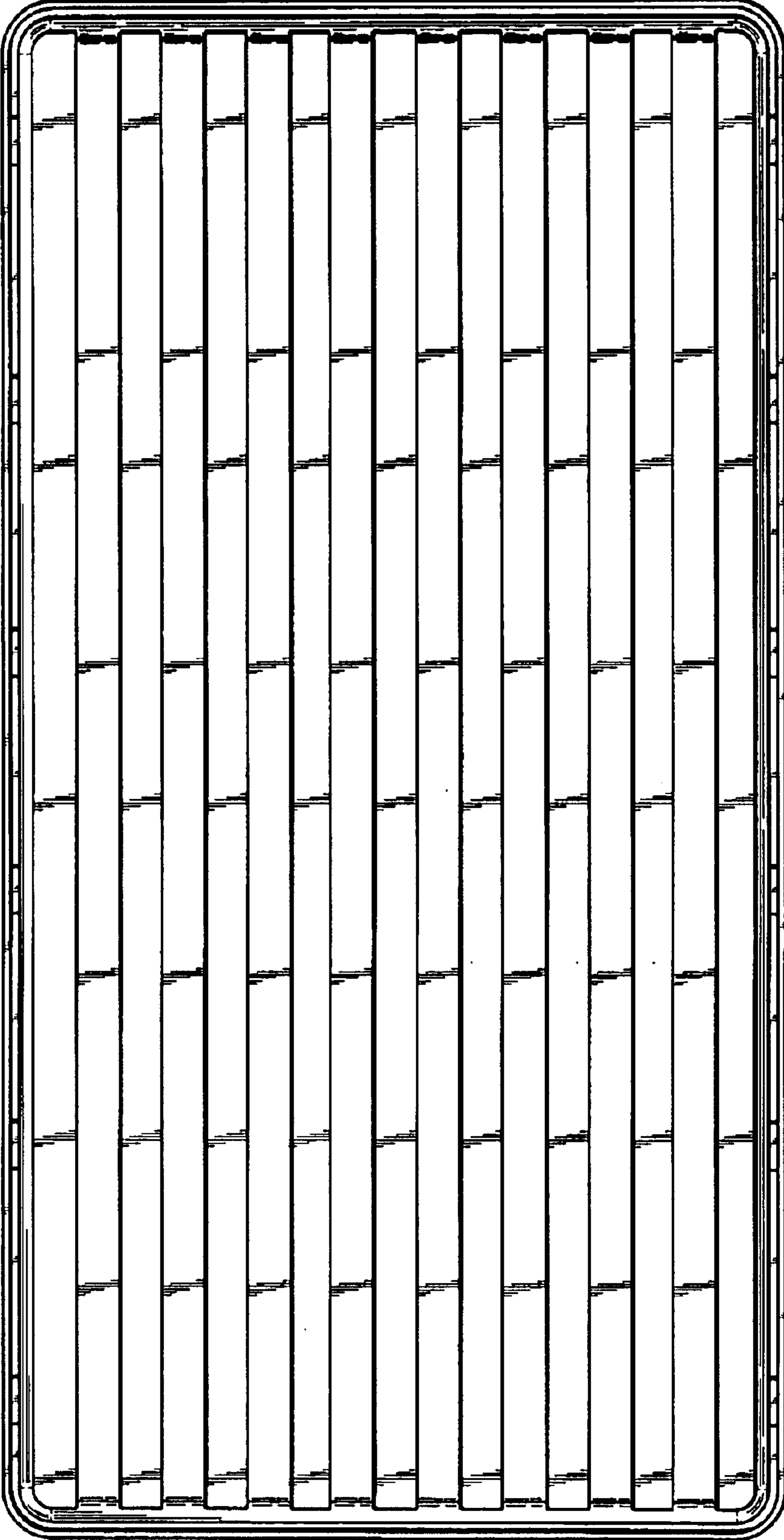


FIG. 5