



US00D495602S1

(12) **United States Design Patent** (10) **Patent No.:** **US D495,602 S**  
**Daly et al.** (45) **Date of Patent:** **\*\* Sep. 7, 2004**

(54) **MOLDED BOTTLE**

(75) Inventors: **John B. Daly**, Millersville, MD (US);  
**Kirk E. Maki**, Eldersburg, MD (US)

(73) Assignee: **Grafcop Pet Technologies**, Hanover,  
MD (US)

(\*\*) Term: **14 Years**

(21) Appl. No.: **29/179,005**

(22) Filed: **Apr. 4, 2003**

(51) **LOC (7) Cl.** ..... **09-01**

(52) **U.S. Cl.** ..... **D9/516; D9/538; D9/556;**  
**D9/557**

(58) **Field of Search** ..... **D9/516, 537-539,**  
**D9/545, 549, 551, 556-558, 569-570; 215/381-384,**  
**396, 398, 400**

4,589,559 A 5/1986 Hayashi et al.  
4,649,068 A 3/1987 Collette  
D292,880 S 11/1987 Jacobs et al.  
D294,462 S 3/1988 Ota et al.  
D294,677 S 3/1988 Rogler  
4,731,513 A 3/1988 Collette  
D295,499 S 5/1988 LeFevre  
4,805,788 A 2/1989 Akiho  
4,946,053 A \* 8/1990 Conrad ..... 215/381  
5,067,622 A 11/1991 Garver et al.  
D331,881 S \* 12/1992 Garver et al. .... D9/553  
5,690,244 A \* 11/1997 Darr ..... 215/382  
5,908,128 A \* 6/1999 Krishnakumar et al. .... 215/381  
6,044,996 A \* 4/2000 Carew et al. .... 215/381  
D427,910 S 7/2000 Barnes et al.  
D431,465 S \* 10/2000 Cheng et al. .... D9/553 X  
D439,166 S \* 3/2001 Denner et al. .... D9/538  
D450,244 S \* 11/2001 Rashid ..... D9/503  
D467,813 S \* 12/2002 Silvers et al. .... D9/538  
D475,615 S \* 6/2003 Podlucky ..... D9/331  
D478,817 S \* 8/2003 Yourist ..... D9/530  
D480,310 S \* 10/2003 Yourist ..... D9/530  
D487,228 S \* 3/2004 Heisner et al. .... D9/538

(56) **References Cited**

**U.S. PATENT DOCUMENTS**

D70,732 S 8/1926 Dengler et al.  
D98,426 S 2/1936 Fuerst  
D115,656 S 7/1939 Lawrence  
D195,371 S 6/1963 Torongo  
3,297,194 A 1/1967 Schaper et al.  
3,397,724 A 8/1968 Bolen et al.  
3,403,804 A 10/1968 Colombo  
D218,020 S 7/1970 Musson  
D219,129 S 11/1970 Wood  
D225,510 S 12/1972 Strand  
3,934,743 A 1/1976 McChesney et al.  
D241,715 S 10/1976 Plummer  
D245,150 S 7/1977 Koenigsberg  
4,199,629 A 4/1980 Agrawal et al.  
D265,058 S 6/1982 Ewry  
4,466,845 A 8/1984 Fortuna  
D278,682 S 5/1985 Khalifa

\* cited by examiner

*Primary Examiner*—Carol Rademaker  
(74) *Attorney, Agent, or Firm*—Roylance, Abrams, Berdo  
& Goodman, LLP

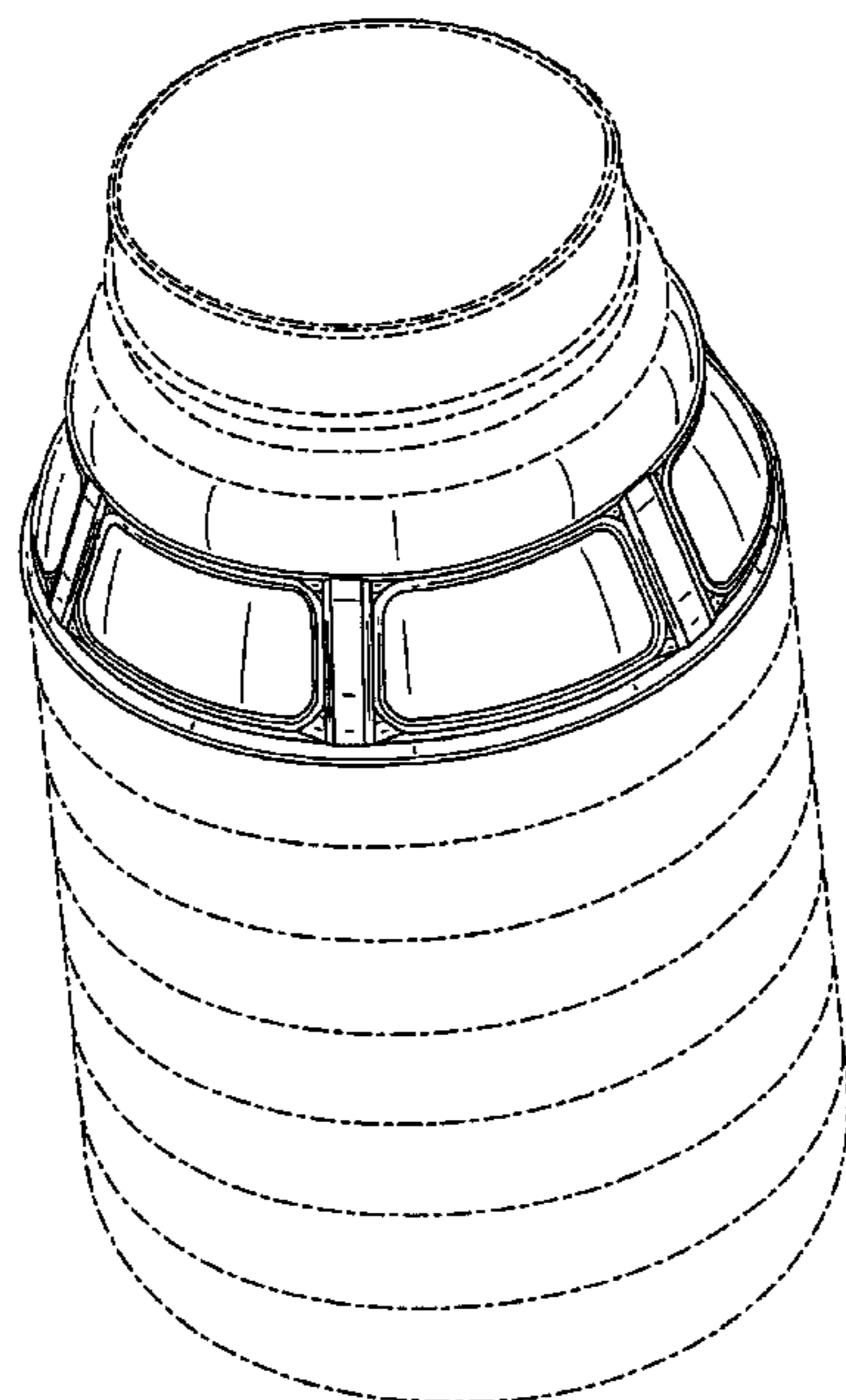
(57) **CLAIM**

The ornamental design for a molded bottle, as shown.

**DESCRIPTION**

FIG. 1 is an isometric view of a molded bottle showing my new design;  
FIG. 2 is an isometric bottom view thereof;  
FIG. 3 is a side view thereof; and,  
FIG. 4 is a top view thereof.

**1 Claim, 4 Drawing Sheets**



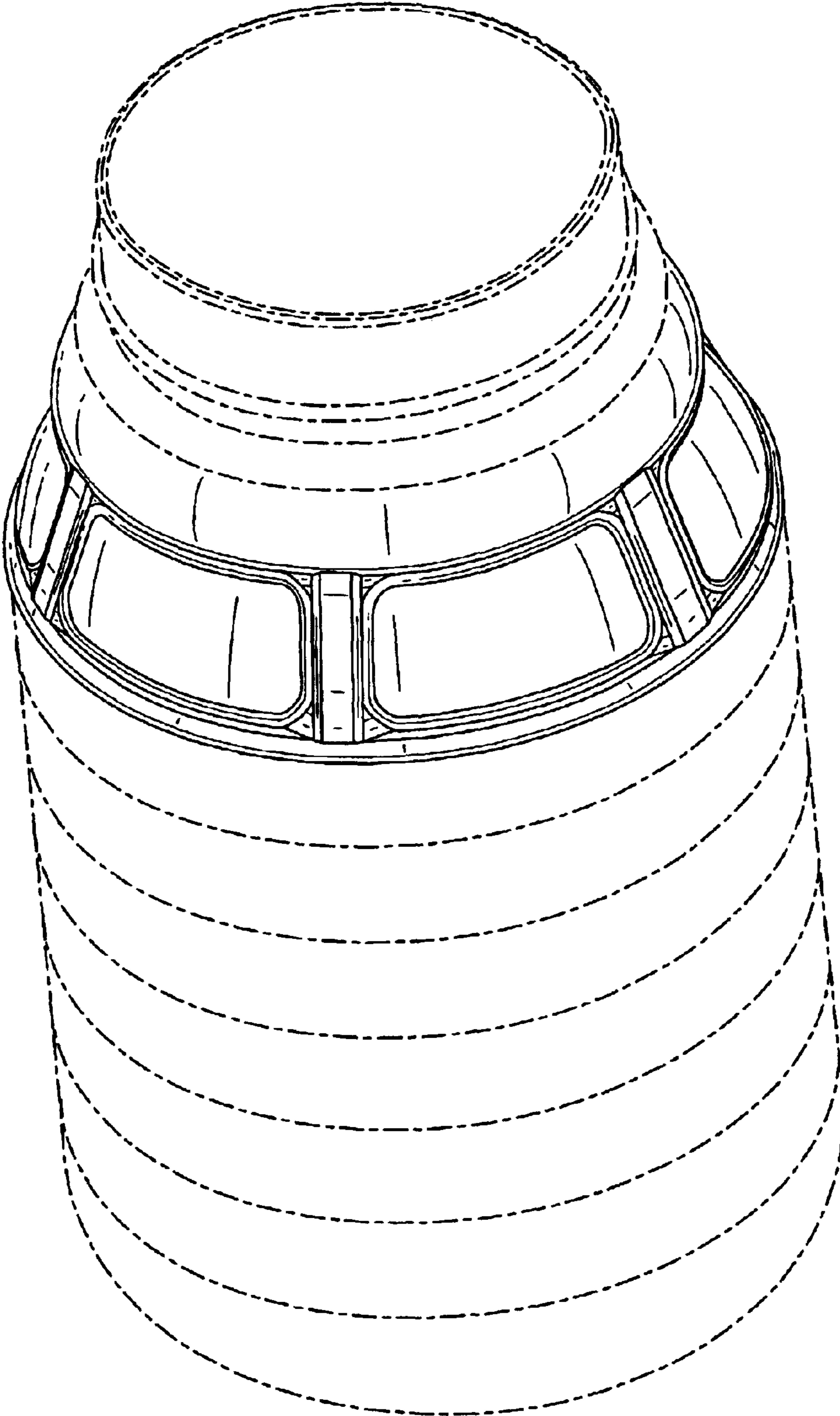


FIG. 1

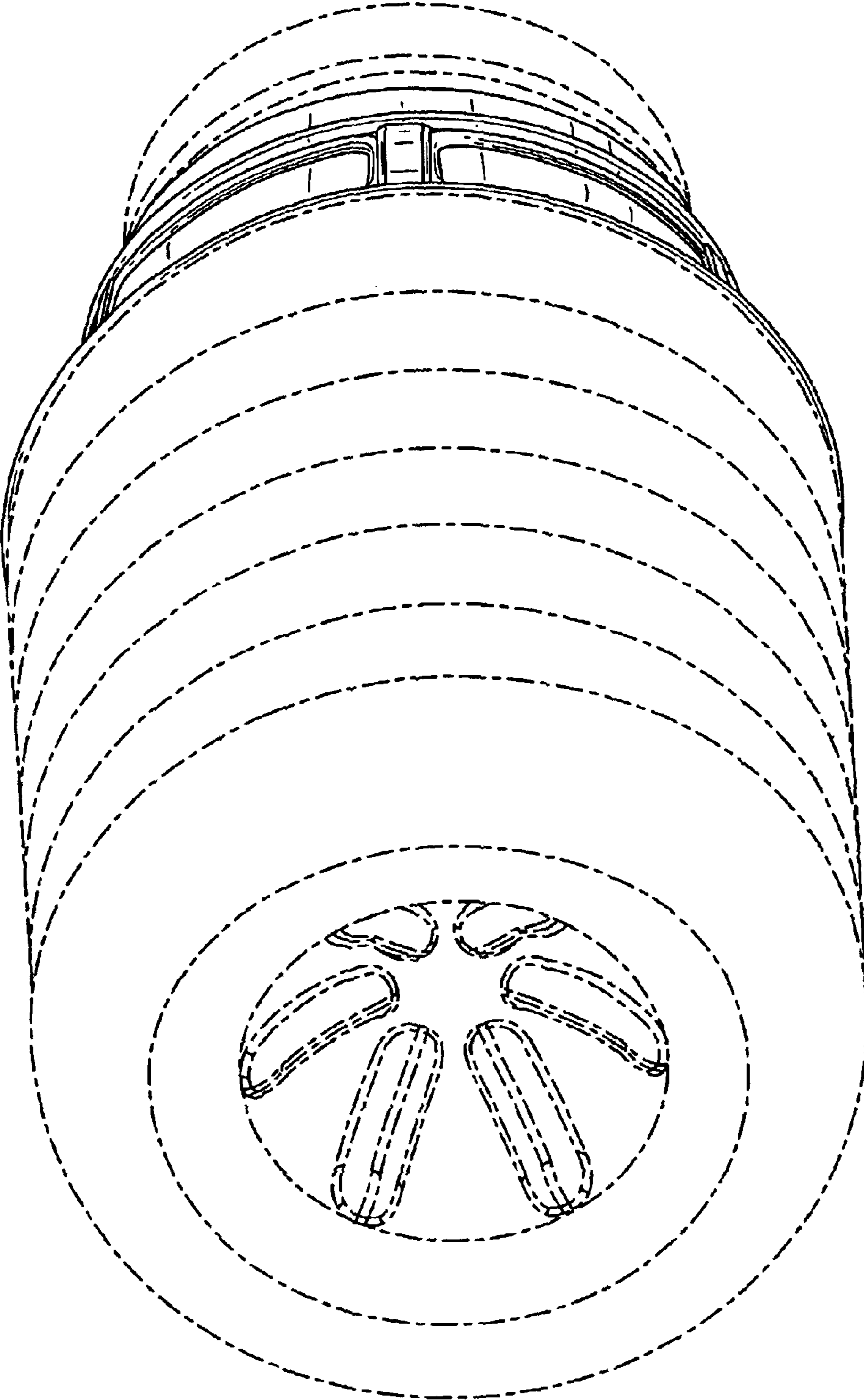


FIG. 2



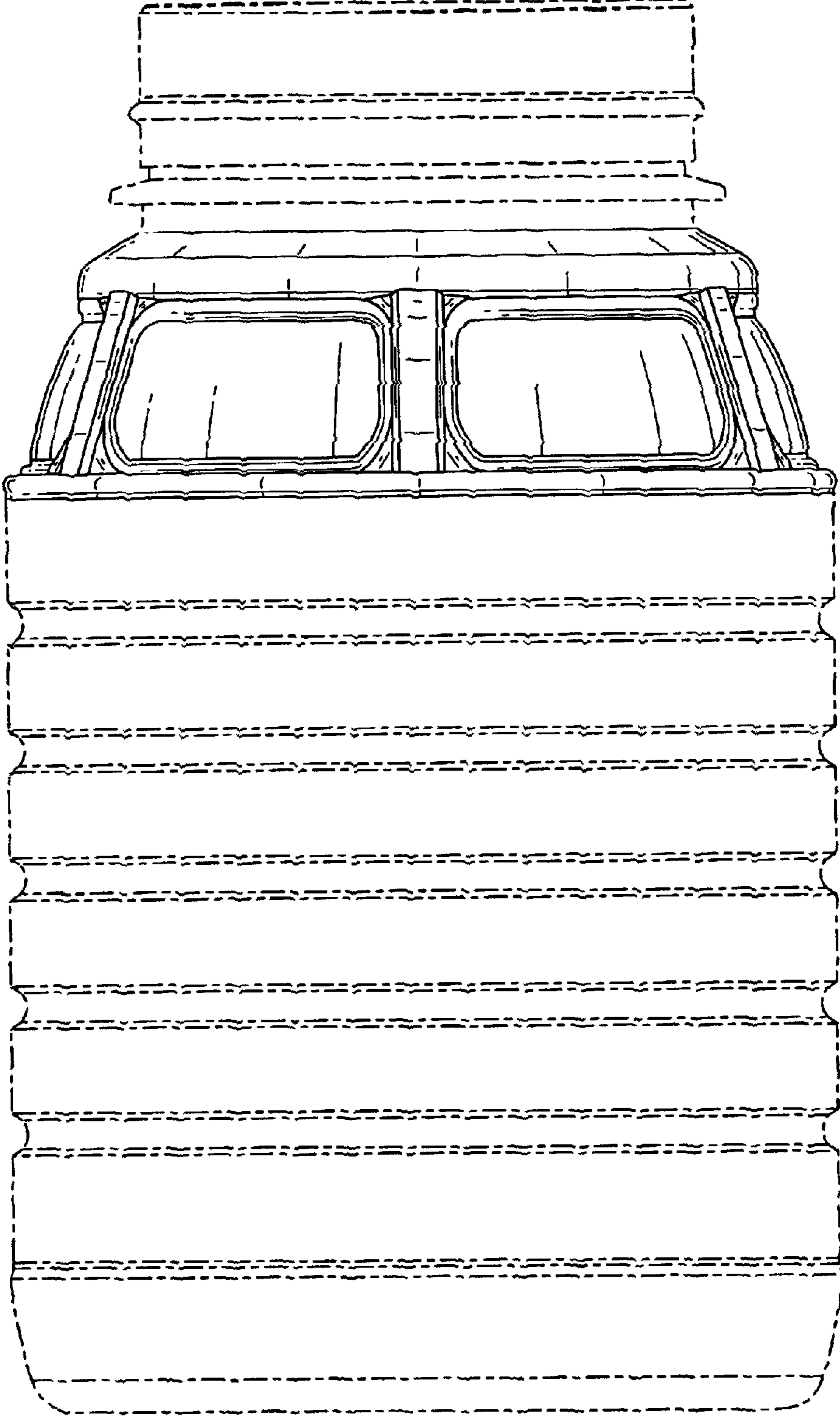


FIG. 3

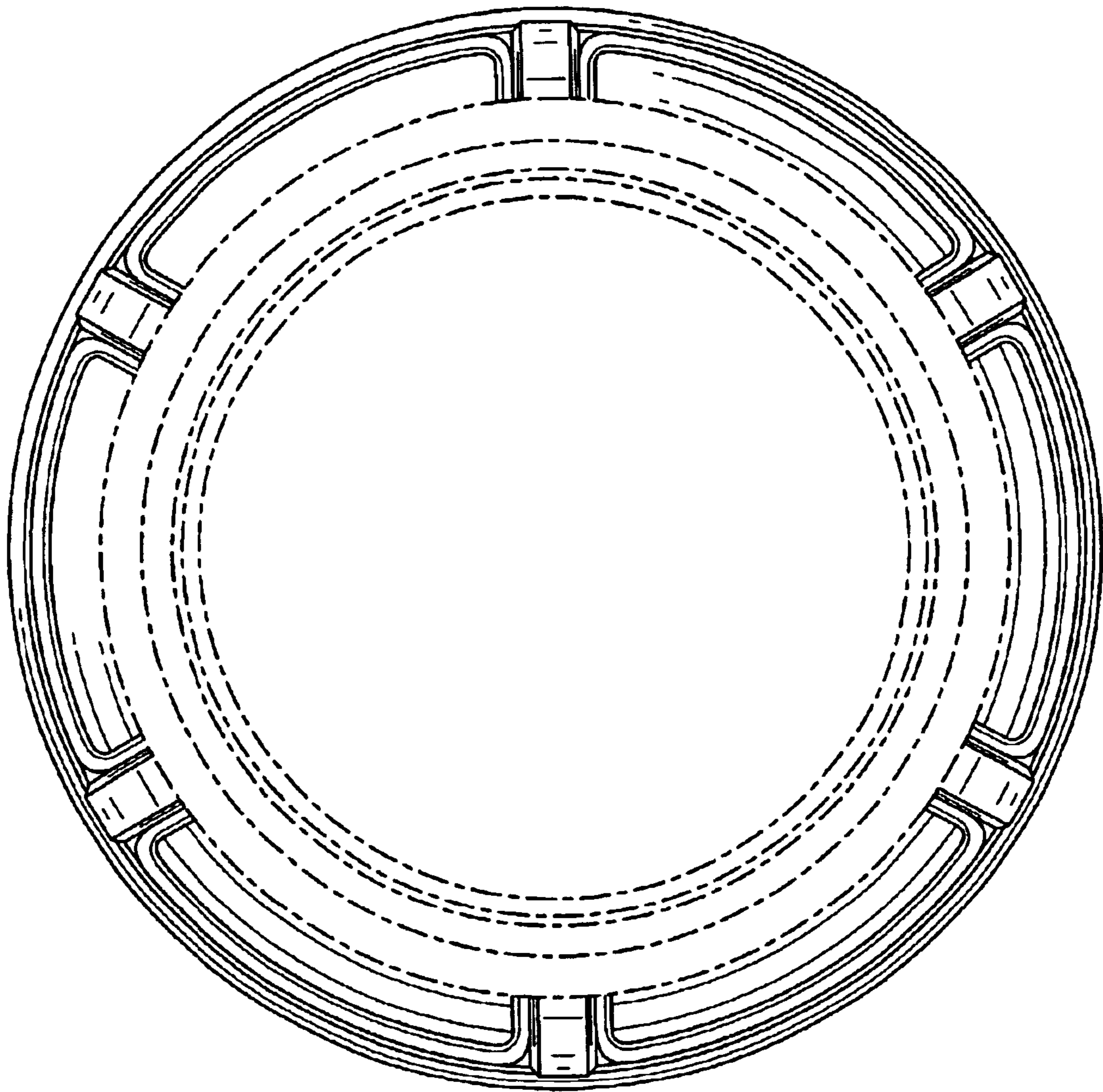


FIG. 4