

US00D495601S1

(12) **United States Design Patent**  
**Klemm et al.**

(10) **Patent No.:** **US D495,601 S**

(45) **Date of Patent:** **\*\* Sep. 7, 2004**

(54) **BOTTLE**

(75) **Inventors:** **Jason T. Klemm**, Sugarland, TX (US);  
**Fred F. Sadeghi**, Sugarland, TX (US)

(73) **Assignee:** **The Coca-Cola Company**, Atlanta, GA (US)

(\*\*) **Term:** **14 Years**

(21) **Appl. No.:** **29/176,527**

(22) **Filed:** **Feb. 20, 2003**

(51) **LOC (7) Cl.** ..... **09-01**

(52) **U.S. Cl.** ..... **D9/516**

(58) **Field of Search** ..... D9/516, 530, 537-539,  
D9/544-545, 549, 554, 556, 558, 565, 569,  
574, 300, 552, 541; 215/382-384, 396,  
398, 400, 370-375, 12.1, 12.2

(56) **References Cited**

**U.S. PATENT DOCUMENTS**

- D56,029 S \* 8/1920 Quigg ..... D9/537
- D186,085 S \* 9/1959 Dallas ..... D9/552
- D195,063 S \* 4/1963 Lilling ..... D9/541 X
- D212,276 S \* 9/1968 Lodding et al. .... D9/538

- D216,361 S \* 12/1969 Pappas, Jr. .... D9/538
- D230,136 S \* 1/1974 Strand ..... D9/552
- D264,433 S \* 5/1982 Pettengill ..... D9/538
- 4,818,575 A \* 4/1989 Hirata et al. .... 215/12.2 X
- D348,006 S \* 6/1994 Feen ..... D9/552
- 5,785,197 A \* 7/1998 Slat ..... 215/375
- D406,065 S \* 2/1999 Cheng ..... D9/552
- D474,977 S \* 5/2003 Yourist et al. .... D9/538

\* cited by examiner

*Primary Examiner*—Carol Rademaker

(74) *Attorney, Agent, or Firm*—Cheryl J. Tubach; Michael V. Kruljac

(57) **CLAIM**

We claim the ornamental design for a bottle, as shown.

**DESCRIPTION**

FIG. 1 is a top front perspective view of a bottle showing our new design;

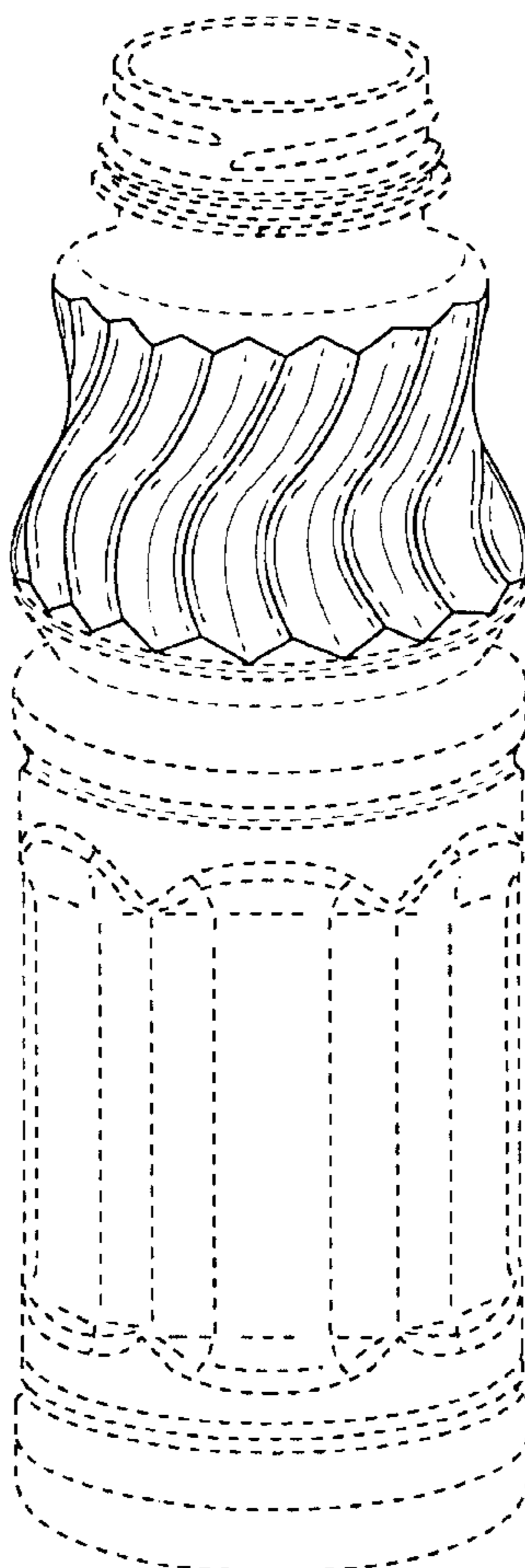
FIG. 2 is a front elevational view thereof;

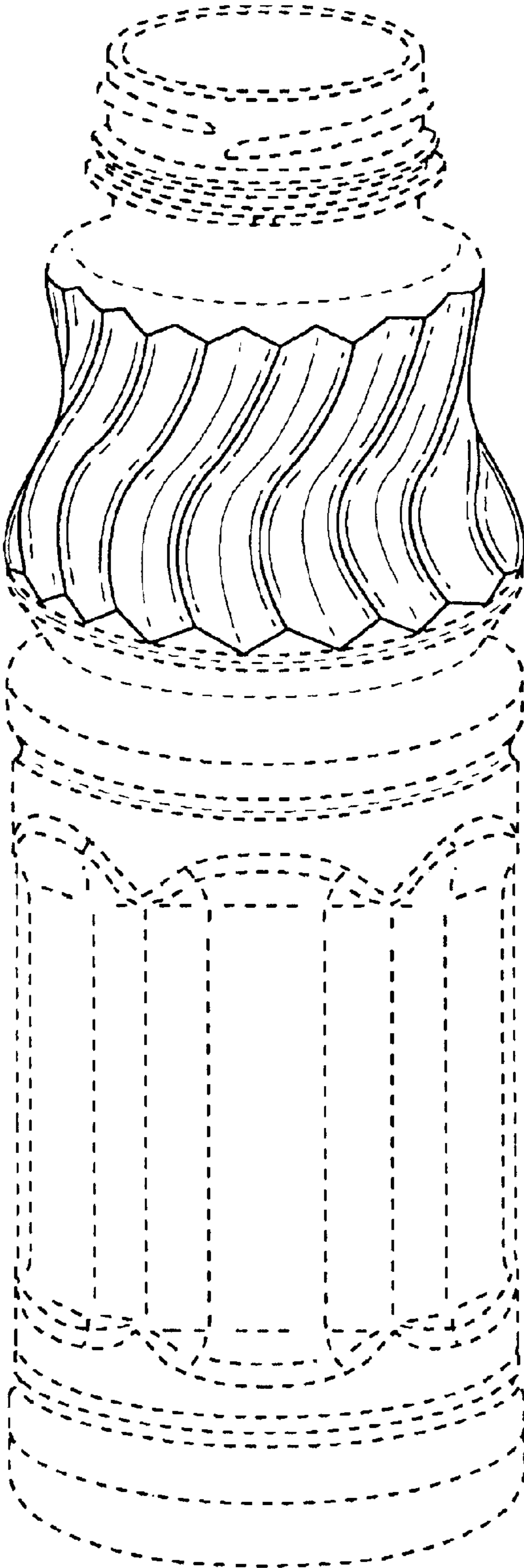
FIG. 3 is a rear elevational view thereof; and,

FIG. 4 is a top plan view thereof.

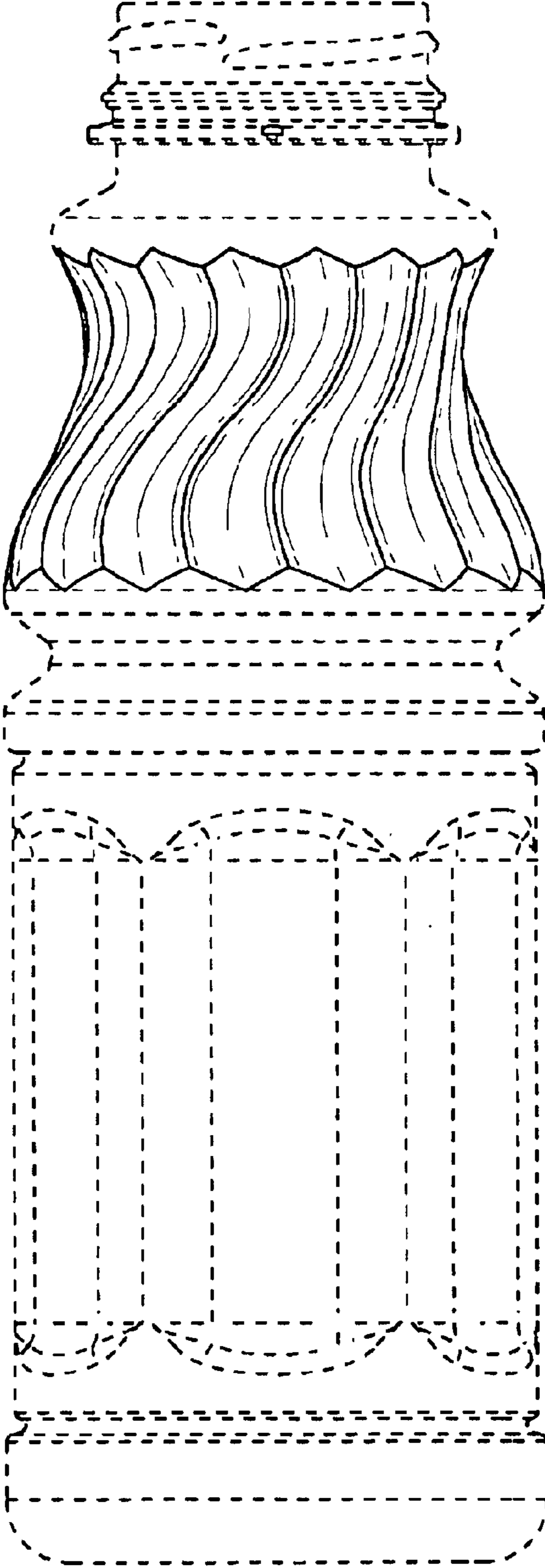
The broken lines shown in FIGS. 1-4 are for illustrative purposes only and form no part of the claimed design.

**1 Claim, 4 Drawing Sheets**

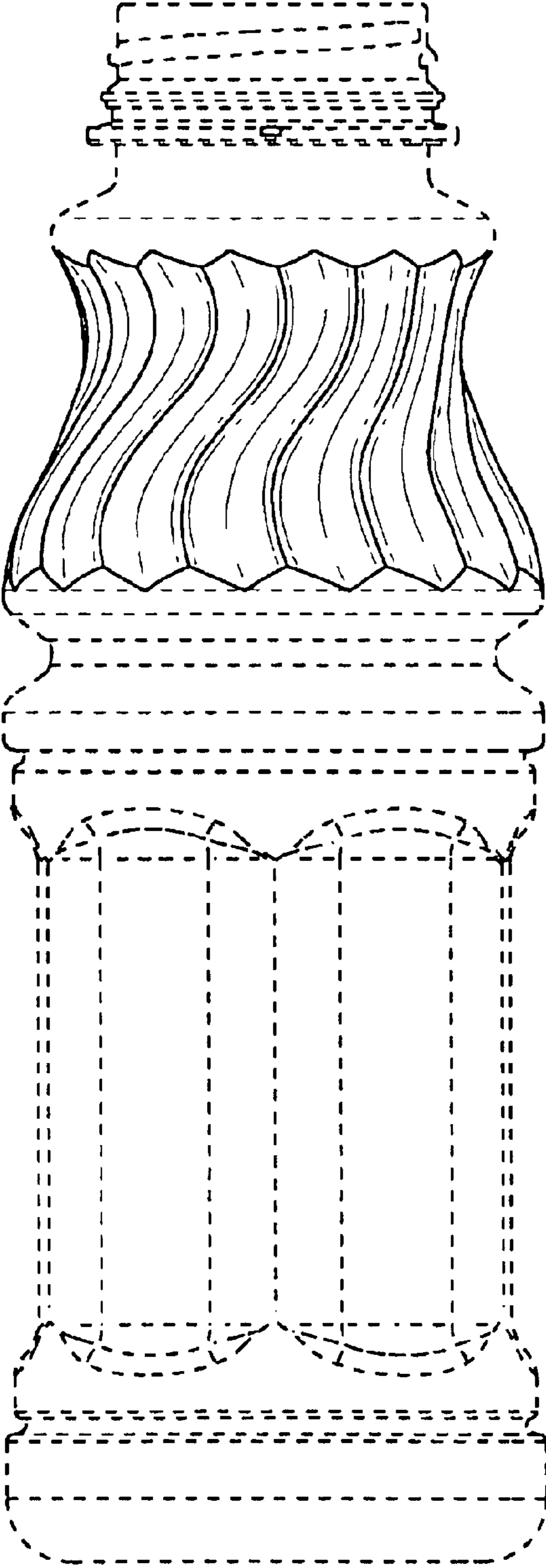




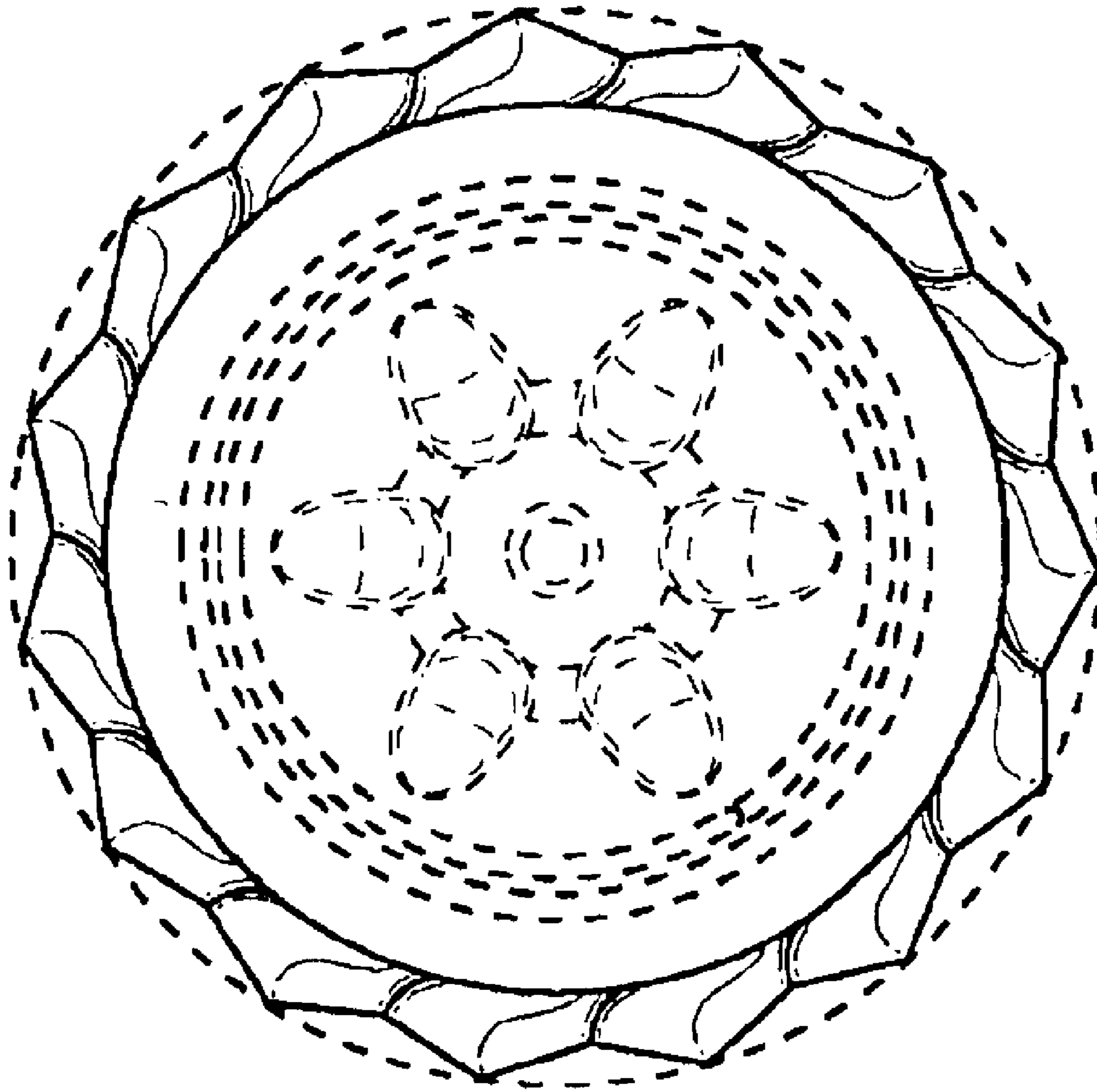
**FIG. 1**



**FIG. 2**



**FIG. 3**



**FIG. 4**