

US00D495596S1

(12) **United States Design Patent** (10) **Patent No.:** **US D495,596 S**  
**Trettin** (45) **Date of Patent:** **\*\* Sep. 7, 2004**

(54) **DISPLAY PACKAGE FOR A TOOL BIT**  
(75) **Inventor:** **David J. Trettin**, Charlotte, NC (US)  
(73) **Assignee:** **Irwin Industrial Tool Company**, Freeport, IL (US)  
(\*\*) **Term:** **14 Years**  
(21) **Appl. No.:** **29/186,421**  
(22) **Filed:** **Jul. 15, 2003**  
(51) **LOC (7) Cl.** ..... **09-07**  
(52) **U.S. Cl.** ..... **D9/415**  
(58) **Field of Search** ..... D9/415, 418, 414, D9/457, 455; 206/461-471, 349, 806, 379, 495, 476-480

5,979,652 A 11/1999 Rösler  
5,988,381 A 11/1999 Ling ..... 206/349  
D420,577 S 2/2000 Steel et al. .... D9/415  
6,032,797 A 3/2000 Kao ..... 206/378  
D422,496 S \* 4/2000 Eckmann ..... D9/415  
6,076,669 A 6/2000 Ling ..... 206/349  
6,089,798 A 7/2000 Wierspecker et al. .... 408/226  
D429,461 S \* 8/2000 Rowley ..... D9/415  
6,152,299 A 11/2000 O'Malley et al. .... 206/349  
6,164,463 A 12/2000 Lee ..... 211/70.6  
6,241,092 B1 6/2001 Vasudeva ..... 206/349  
6,241,208 B1 6/2001 Lin ..... 248/309.1  
D445,331 S \* 7/2001 Udwin et al. .... D9/415  
6,273,255 B1 8/2001 Rösler ..... 206/378  
D451,800 S \* 12/2001 Pryde et al. .... D9/415  
6,345,798 B1 2/2002 Bondhus et al. .... 248/314  
6,425,482 B1 7/2002 Chiang ..... 206/349  
6,540,073 B1 4/2003 Hagel  
6,581,894 B1 \* 6/2003 Tong ..... 248/314  
6,659,278 B1 \* 12/2003 Velliquette ..... 206/488

(56) **References Cited**  
**U.S. PATENT DOCUMENTS**

3,770,120 A 11/1973 Hanson ..... 206/79  
3,978,984 A 9/1976 Cowley ..... 206/379  
4,019,632 A 4/1977 Greenlee ..... 206/349  
4,046,279 A 9/1977 Rösler ..... 220/8  
4,210,253 A 7/1980 Rösler ..... 220/8  
4,509,656 A 4/1985 Rösler ..... 220/8  
4,586,615 A 5/1986 Quitmann ..... 211/70.6  
4,634,005 A 1/1987 Kulzer et al. .... 206/477  
4,667,826 A 5/1987 Salacuse ..... 206/461  
4,995,513 A 2/1991 Rösler ..... 206/446  
5,028,057 A 7/1991 Wanner ..... 279/19.3  
5,466,101 A 11/1995 Meyen ..... 408/226  
5,484,056 A 1/1996 Wood ..... 206/349  
5,505,570 A 4/1996 Meyen ..... 408/58  
5,515,966 A 5/1996 Hodge et al. .... 206/292  
5,562,212 A 10/1996 Rösler ..... 206/443  
5,577,629 A 11/1996 Rösler ..... 220/525  
D376,312 S 12/1996 Cahn et al. .... D9/415  
D376,538 S \* 12/1996 Rojnik et al. .... D9/415  
5,588,525 A 12/1996 Rösler ..... 206/303  
5,713,467 A 2/1998 Kao ..... 206/349  
5,816,401 A 10/1998 Vasudeva et al. .... 206/377  
5,908,111 A 6/1999 Purdy ..... 206/461  
5,918,741 A 7/1999 Vasudeva ..... 206/376  
D413,260 S 8/1999 Vasudeva ..... D9/415  
5,967,318 A 10/1999 Rösler ..... 206/372  
5,979,649 A 11/1999 Rösler ..... 206/379

**FOREIGN PATENT DOCUMENTS**

DK 94 10 538 U1 6/1994  
EP 0 693 436 1/1995  
GB 2 316 929 6/1996

\* cited by examiner

*Primary Examiner*—Prabhakar Deshmukh  
(74) *Attorney, Agent, or Firm*—Brinks Hofer Gilson & Lione

(57) **CLAIM**

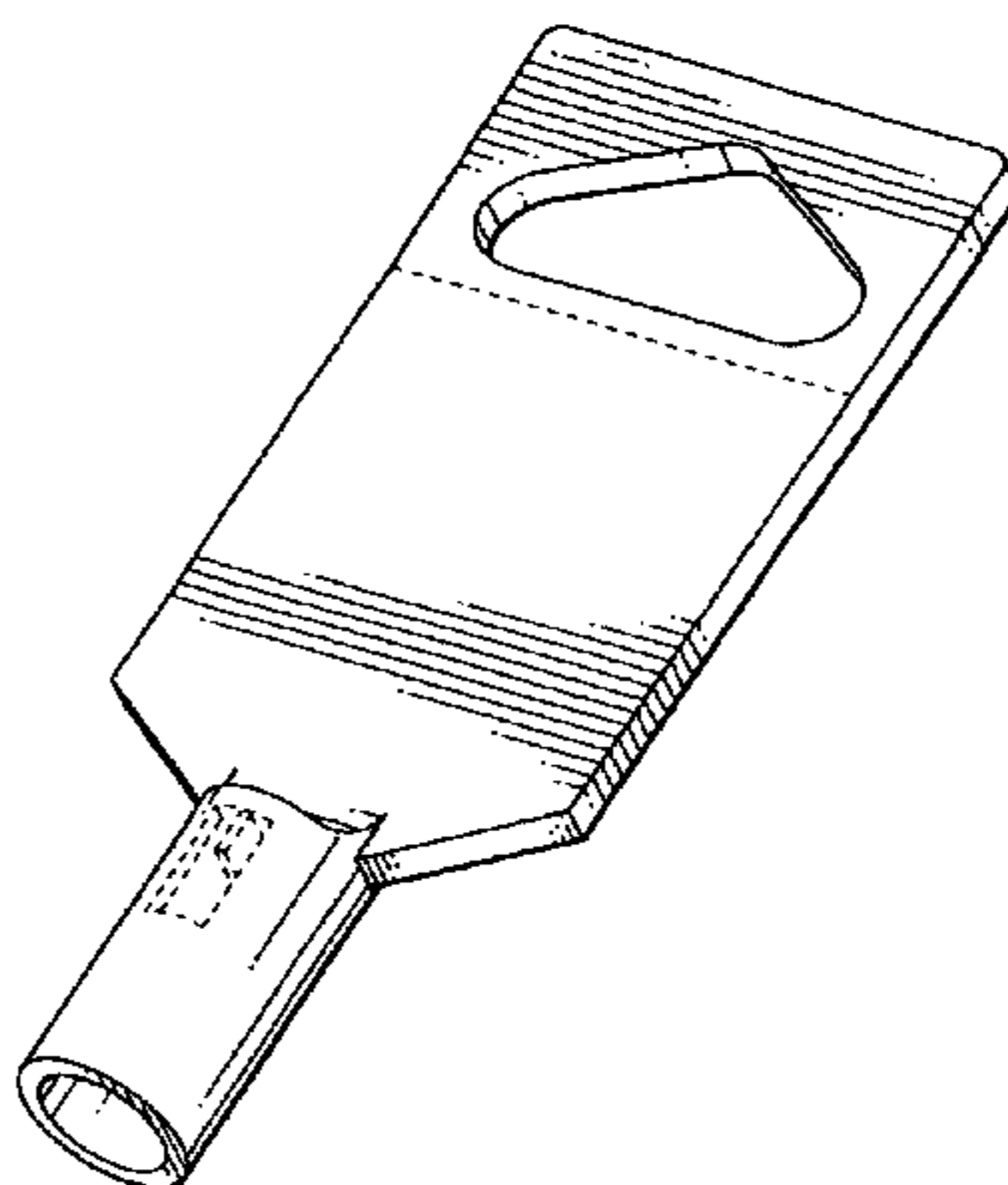
The ornamental design for a display package for a tool bit, as shown and described.

**DESCRIPTION**

FIG. 1 is a front perspective view of a display package for a tool bit of the present invention;  
FIG. 2 is a front view thereof;  
FIG. 3 is a rear view thereof;  
FIG. 4 is a left-side view thereof, which is similar to a right-side view thereof;  
FIG. 5 is a bottom view thereof; and,  
FIG. 6 is a top view thereof.

The ornamental design which is claimed is shown in solid lines in the drawings. Any broken lines in the drawings are for illustrative purposes only and form no part of the claimed design.

**1 Claim, 3 Drawing Sheets**



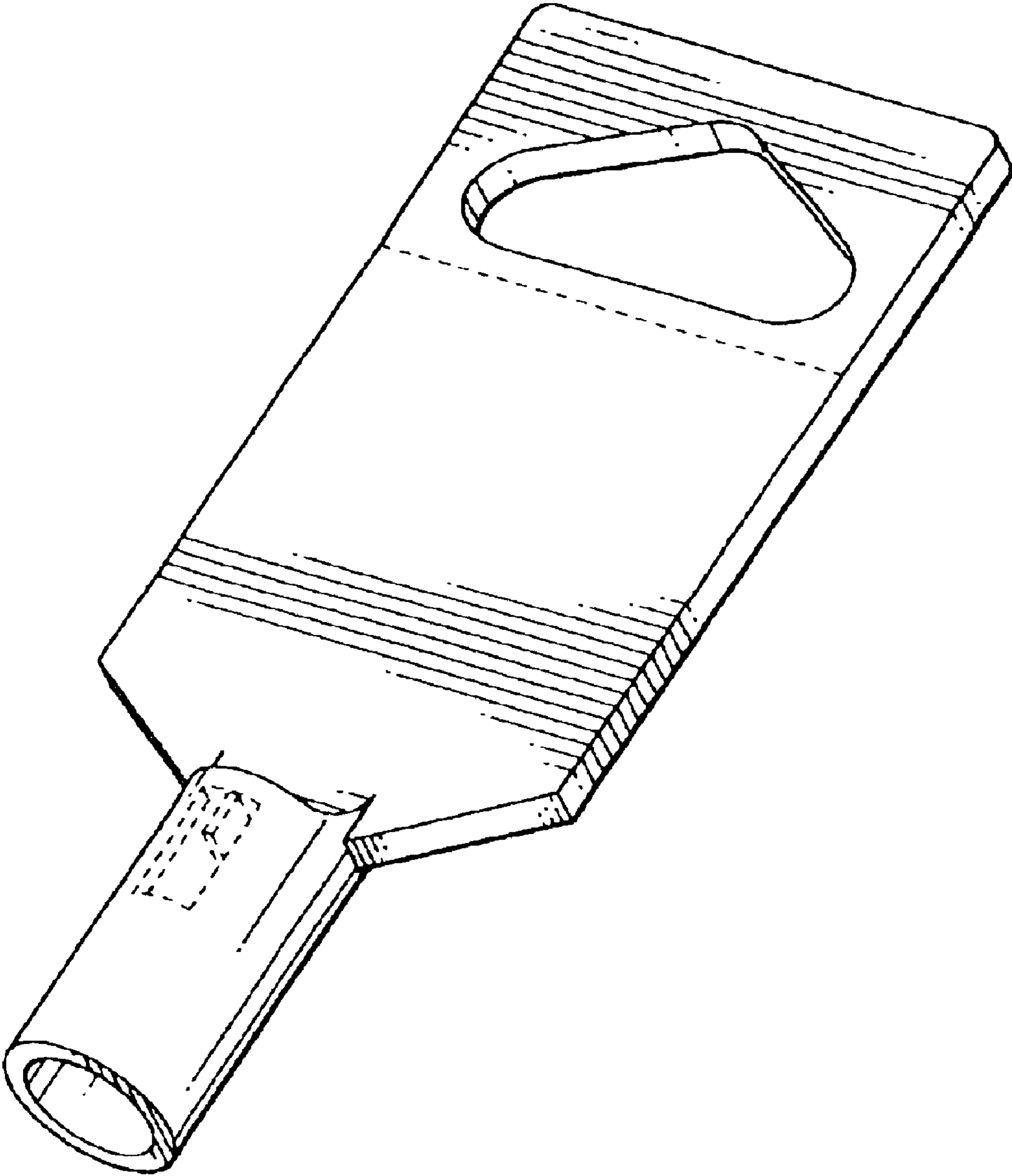


FIG. 1

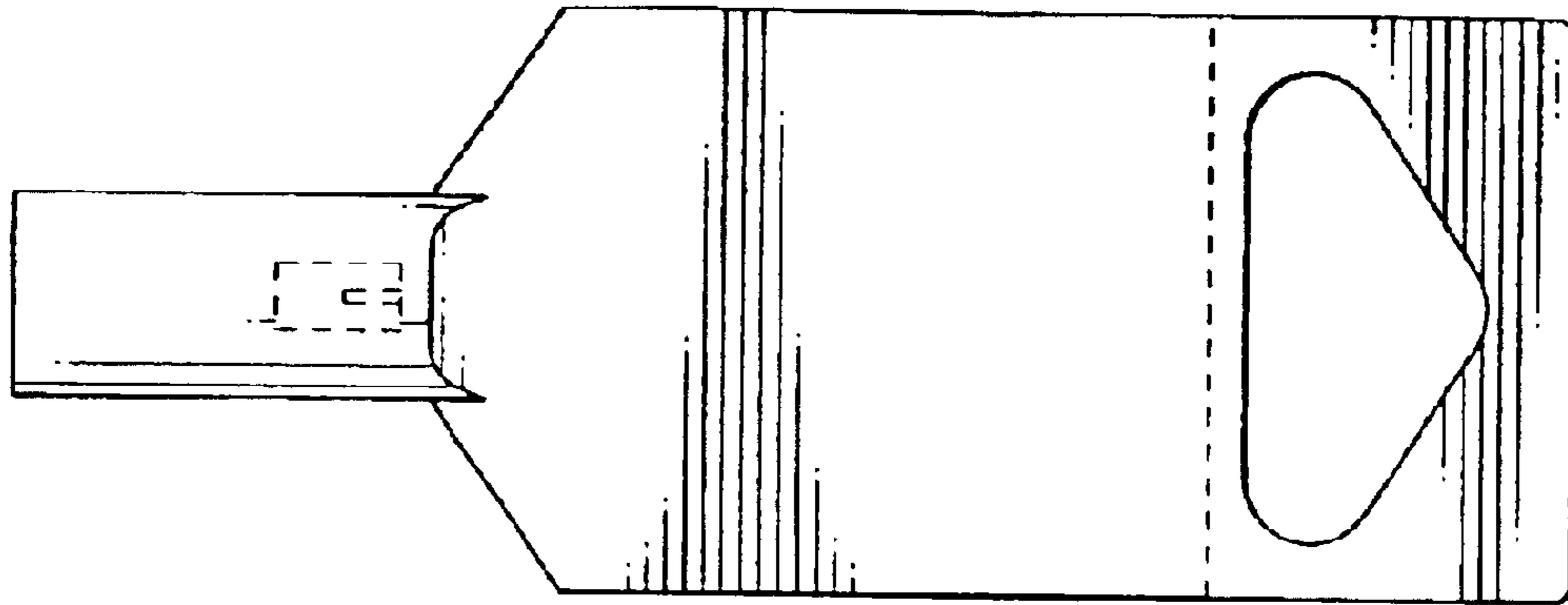


FIG. 2

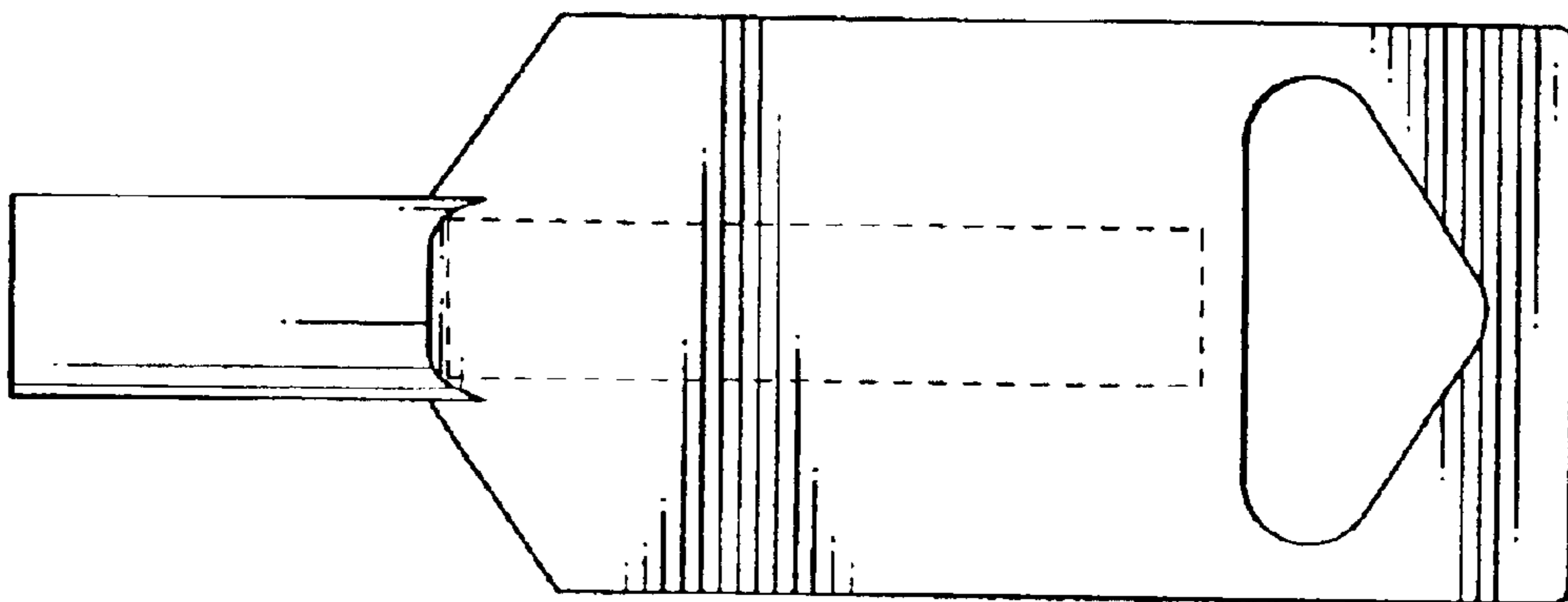


FIG. 3

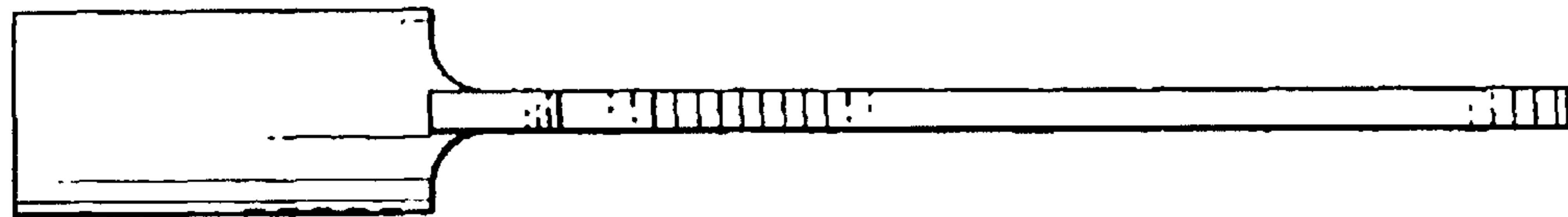


FIG. 4

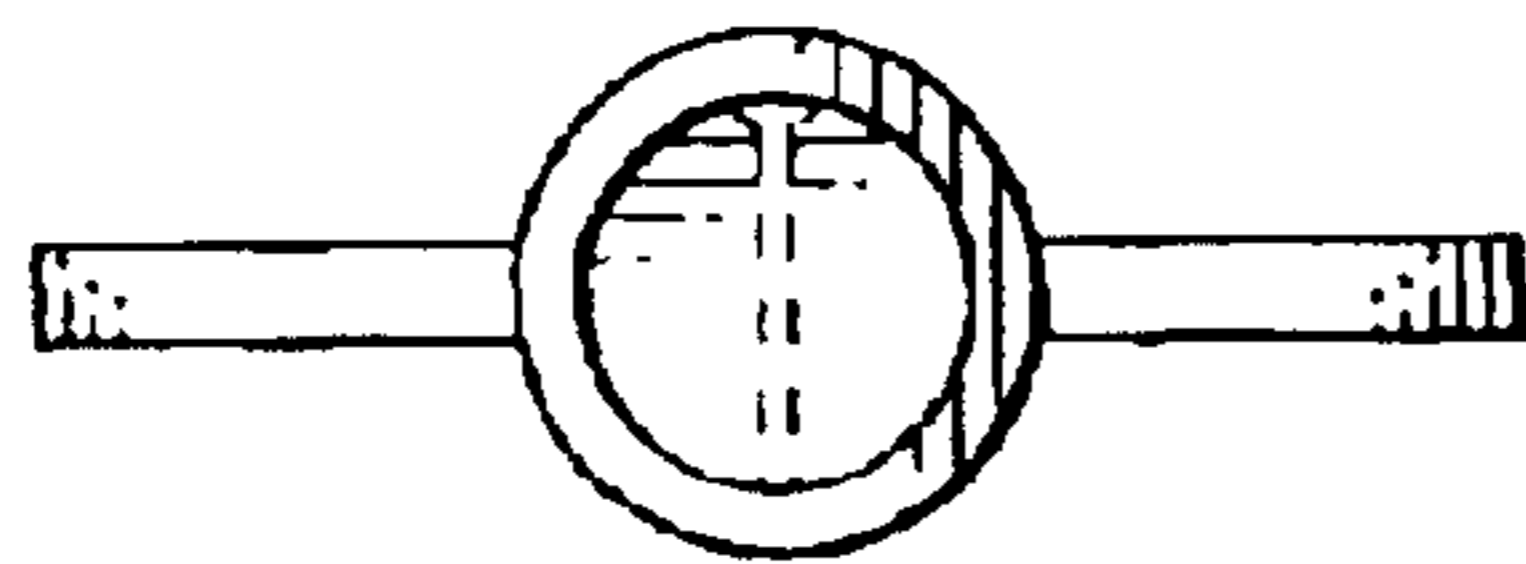


FIG. 5

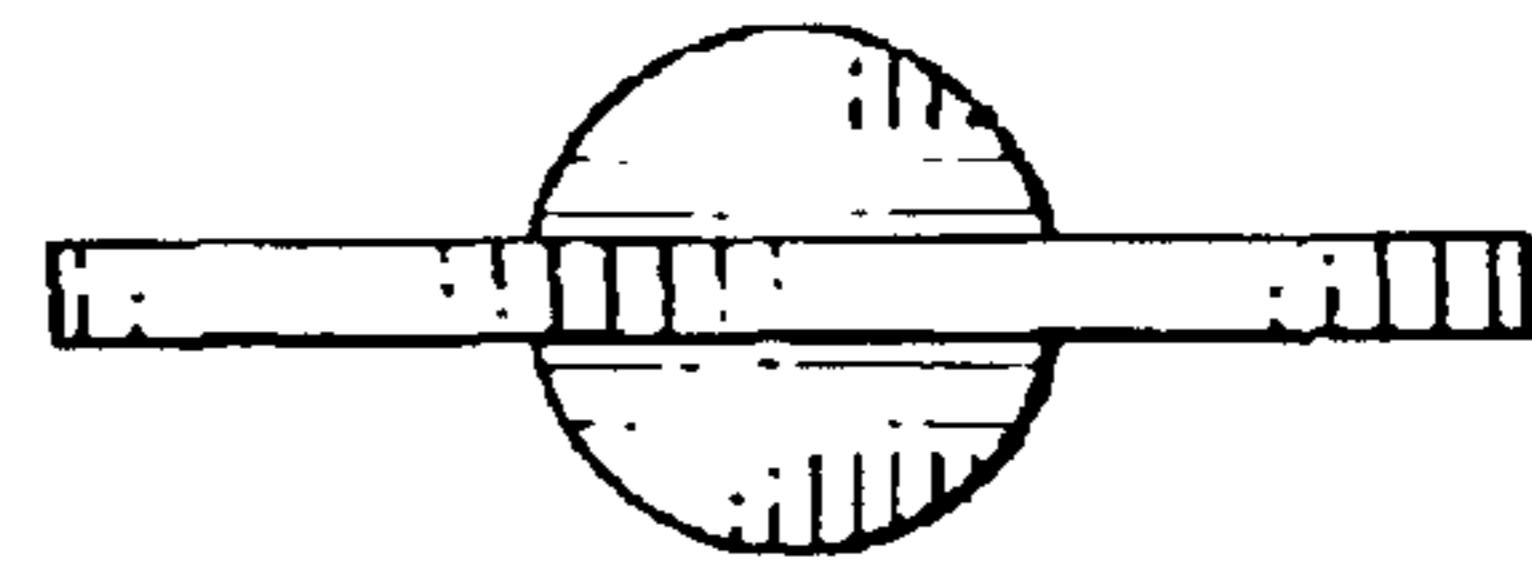


FIG. 6