



US00D495595S1

(12) **United States Design Patent**
Dressler

(10) **Patent No.: US D495,595 S**

(45) **Date of Patent: ** Sep. 7, 2004**

(54) **HALF-MOON SHAPED SNOW GUARD**

D475,613 S * 6/2003 Mullane D8/499
D482,604 S * 11/2003 Smeja et al. D8/499

(75) **Inventor: Robert D. Dressler, Mechanicsburg, PA (US)**

OTHER PUBLICATIONS

Seiger Snow Guards website "www.siegersnowguards.com"
Apr. 16, 2004.

(73) **Assignee: Amerimax Home Products, Inc., Lancaster, PA (US)**

* cited by examiner

(**) **Term: 14 Years**

Primary Examiner—Brian N Vinson

(21) **Appl. No.: 29/190,407**

(74) *Attorney, Agent, or Firm*—Miller Law Group, PLLC

(22) **Filed: Sep. 17, 2003**

(57) **CLAIM**

(51) **LOC (7) Cl. 08-99**

The ornamental design for a half-moon shaped snow guard,
as shown and described.

(52) **U.S. Cl. D8/499**

DESCRIPTION

(58) **Field of Search D8/400, 499; 52/24–26, 52/199**

FIG. 1 is an elevational view of the snow guard showing my new design, taken perpendicularly to the major axis of the base member;

(56) **References Cited**

U.S. PATENT DOCUMENTS

97,316 A	11/1869	Rogers	
473,512 A	4/1892	Laird	
2,079,768 A	5/1937	Levow	108/27
3,296,750 A	* 1/1967	Zaleski	52/24
5,282,340 A	* 2/1994	Cline et al.	52/24
D364,338 S	* 11/1995	Cline	D8/499
5,522,185 A	6/1996	Cline	52/24
D372,421 S	* 8/1996	Cline	D8/499
D387,433 S	* 12/1997	Youssefian	D25/114
D418,403 S	* 1/2000	Cline	D8/499
D455,068 S	* 4/2002	Mullane	D8/499

FIG. 2 is a bottom plan view thereof;

FIG. 3 is a side elevational view thereof;

FIG. 4 is a top plan view of the snow guard taken along the axis of the body member;

FIG. 5 is an elevational view of the snow guard taken perpendicularly to the body member of the snow guard, corresponding to lines 5—5 of FIG. 3; and,

FIG. 6 is an elevational view of the snow guard taken perpendicularly to the body member of the snow guard, corresponding to lines 6—6 of FIG. 3.

1 Claim, 3 Drawing Sheets

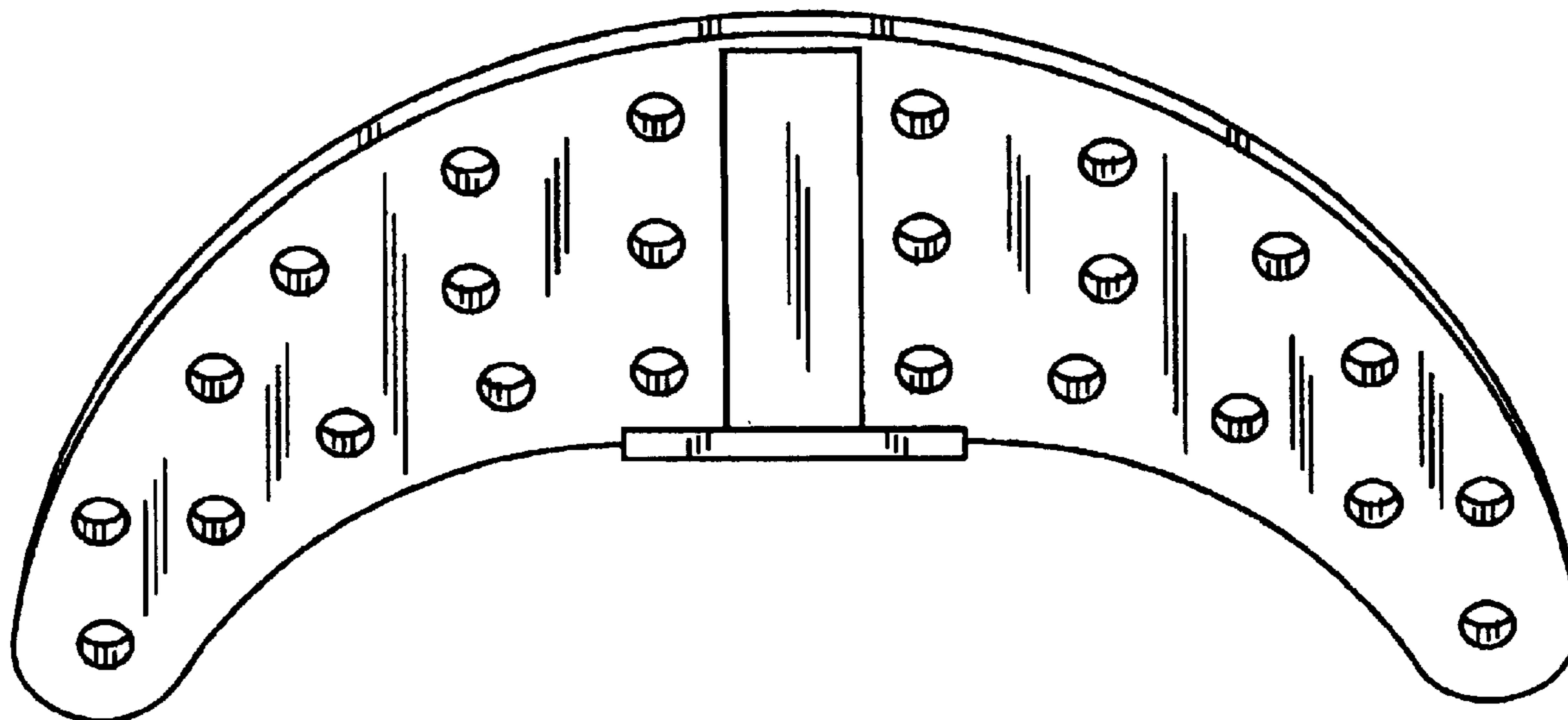


Fig. 1

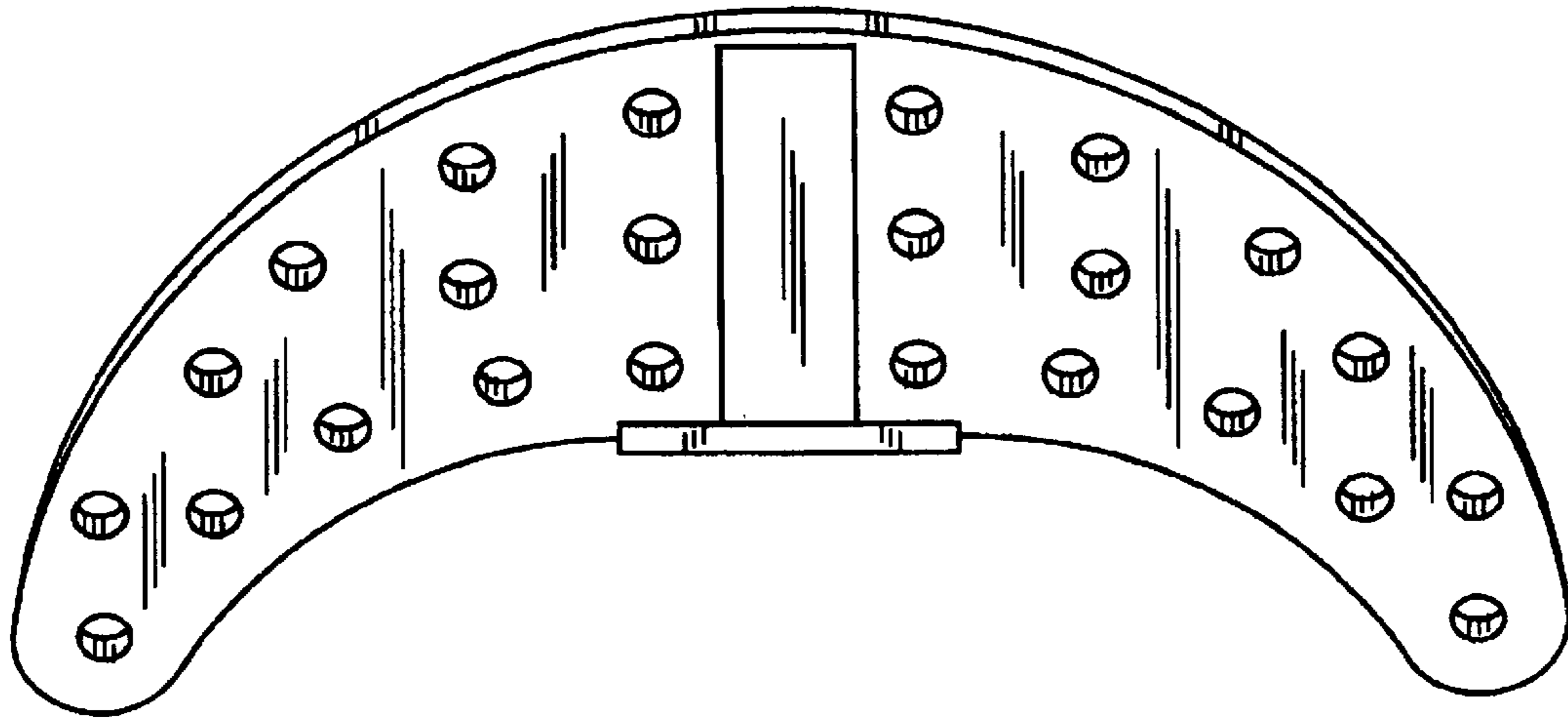
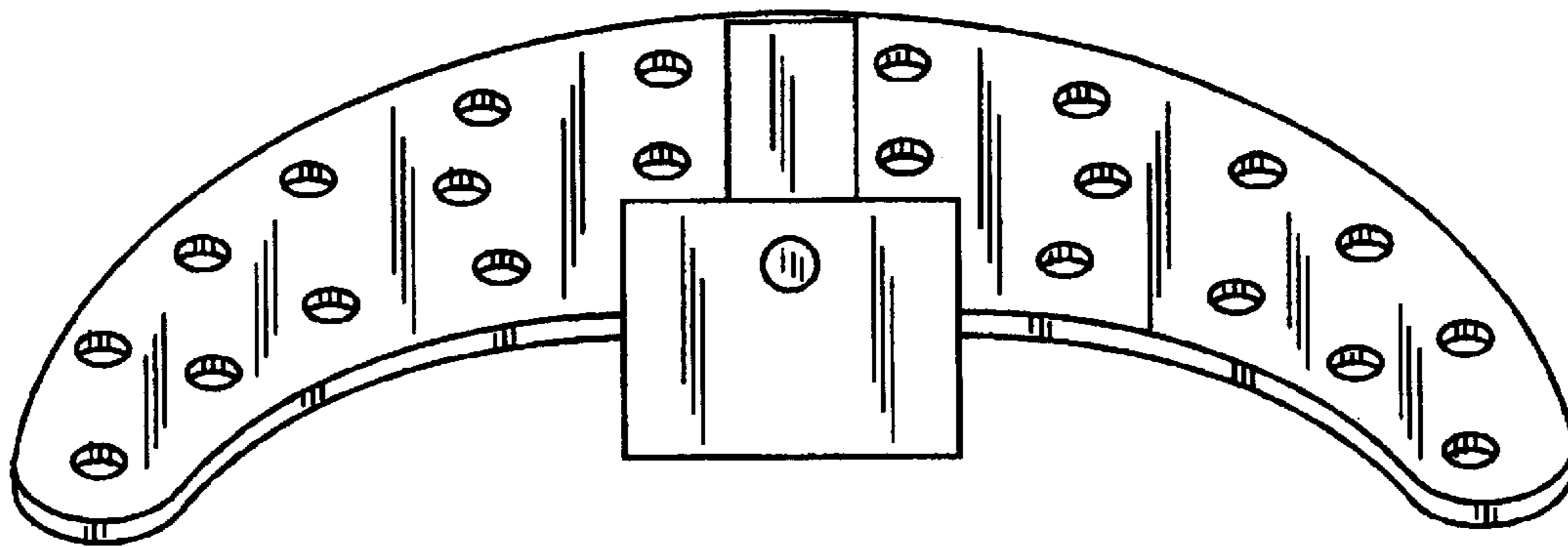


Fig. 2



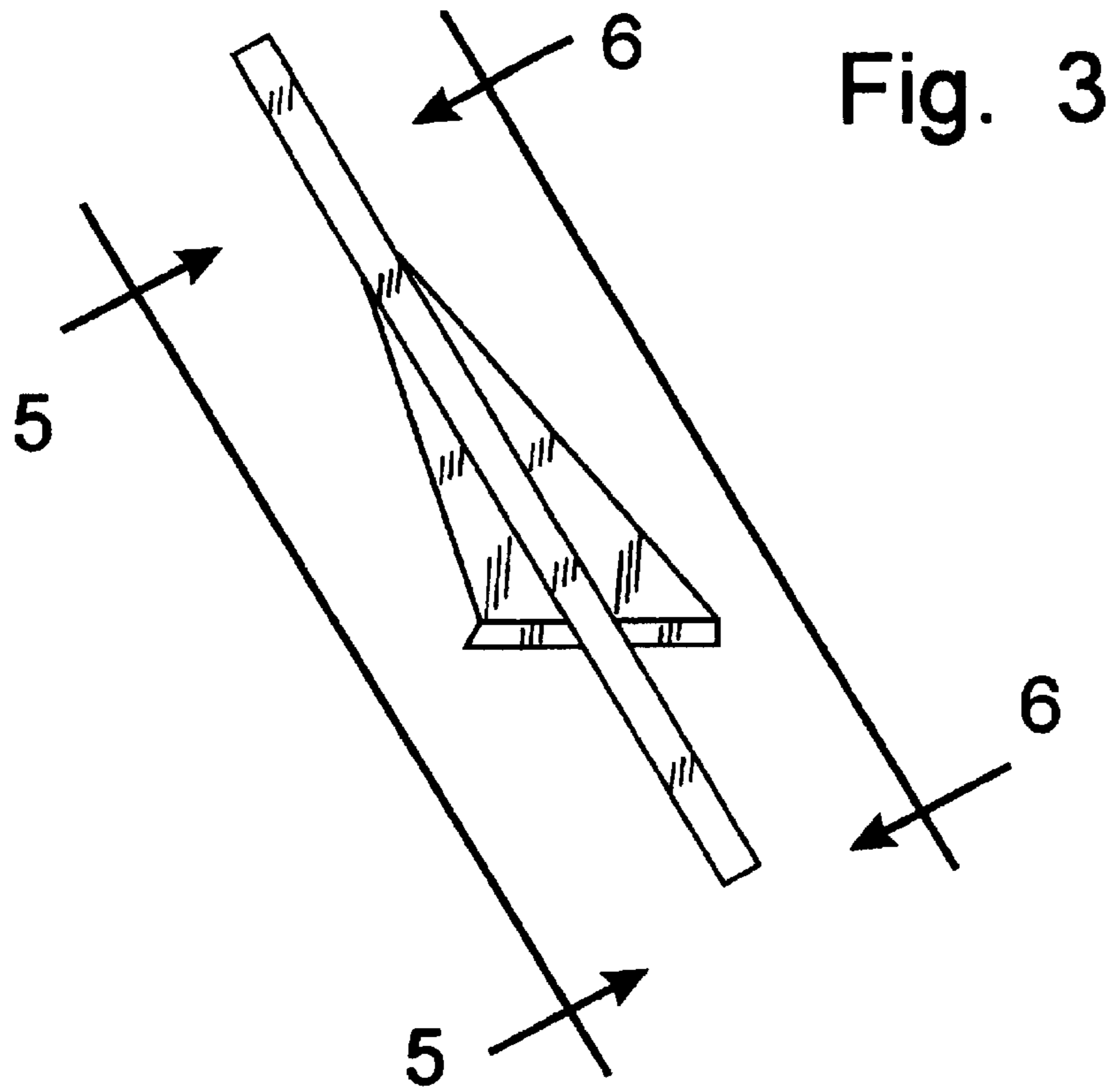


Fig. 4

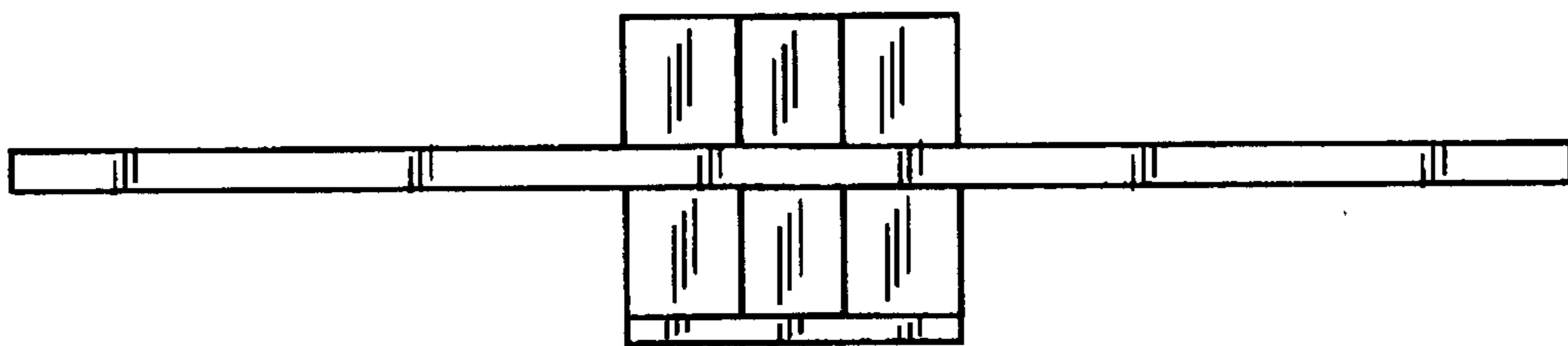


Fig. 5

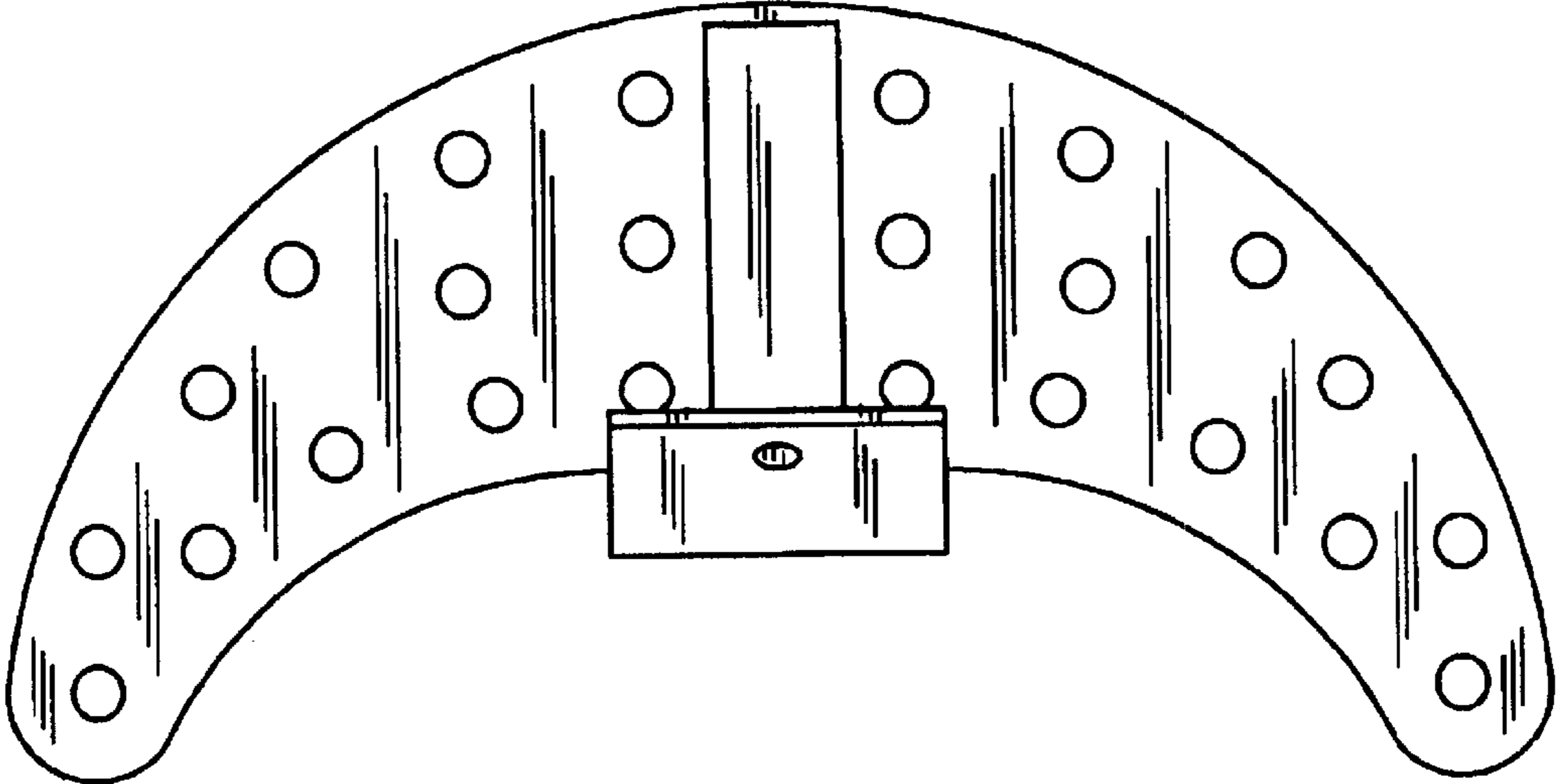


Fig. 6

