

US00D495594S1

(12) **United States Design Patent**
Gibson

(10) **Patent No.:** **US D495,594 S**

(45) **Date of Patent:** **** Sep. 7, 2004**

(54) **BRACKET**

(76) **Inventor:** **Sidney Gibson**, 160 Walsh Crescent,
Stratford, Ontario (CA), N5A 7X7

(**) **Term:** **14 Years**

(21) **Appl. No.:** **29/191,884**

(22) **Filed:** **Oct. 15, 2003**

(51) **LOC (7) Cl.** **05-05**

(52) **U.S. Cl.** **D8/381**

(58) **Field of Search** D6/567, 572, 574;
D8/349, 354, 363, 366, 373, 380, 381;
108/108, 152; 211/90.01, 90.04, 193; 248/200,
201, 235, 236, 238, 247, 250, 300

(56) **References Cited**

U.S. PATENT DOCUMENTS

1,599,653 A	*	9/1926	Cranston	108/185
D285,528 S	*	9/1986	Huot	D8/330
4,809,940 A	*	3/1989	Trestyn	248/220.22
D304,137 S	*	10/1989	Handler et al.	D6/569
D349,844 S	*	8/1994	Jaremkof	D8/380
5,351,842 A	*	10/1994	Remmers	211/190.03
D362,383 S	*	9/1995	Boelling	D8/354
D385,140 S	*	10/1997	Whitehead et al.	D6/574
D389,729 S	*	1/1998	Boeshart	D8/380

5,855,073 A	*	1/1999	Boelling	33/533
6,019,331 A	*	2/2000	Hoogland et al.	248/250
6,402,106 B1	*	6/2002	Padiak	248/221.11
D469,004 S	*	1/2003	Winig et al.	D8/381

* cited by examiner

Primary Examiner—James Gandy

Assistant Examiner—Elizabeth Albert

(74) *Attorney, Agent, or Firm*—Briggs & Morgan, P.A.

(57) **CLAIM**

The ornamental design for a bracket, as shown and described.

DESCRIPTION

FIG. 1 is a perspective view showing my new design bracket;

FIG. 2 is a side elevation view;

FIG. 3 is a side elevation view;

FIG. 4 is a top elevation view;

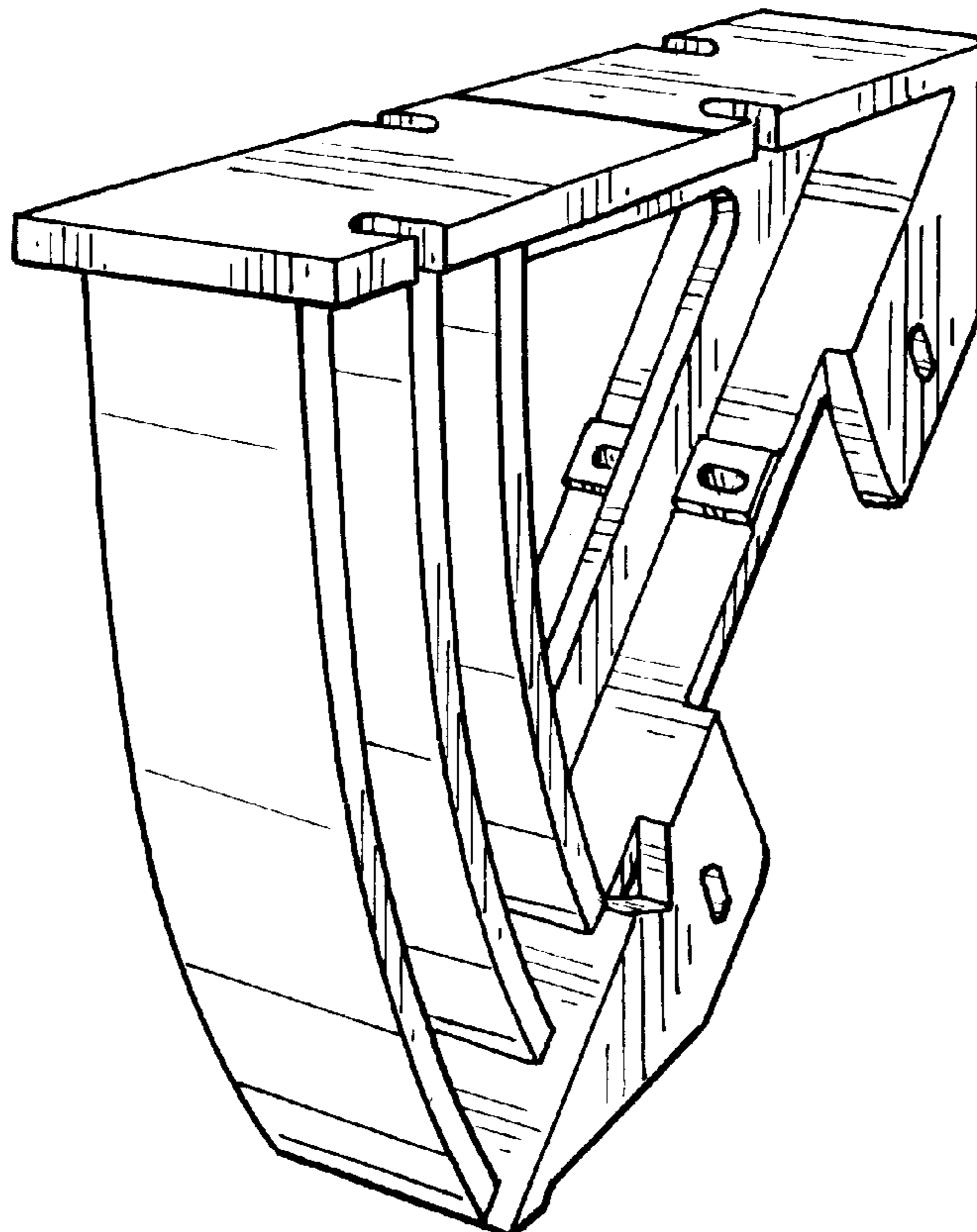
FIG. 5 is a bottom elevation view;

FIG. 6 is an end elevation view; and,

FIG. 7 is an end elevation view.

The broken line drawings of bracket are for illustrative purposes only and form no part of the claimed design.

1 Claim, 3 Drawing Sheets



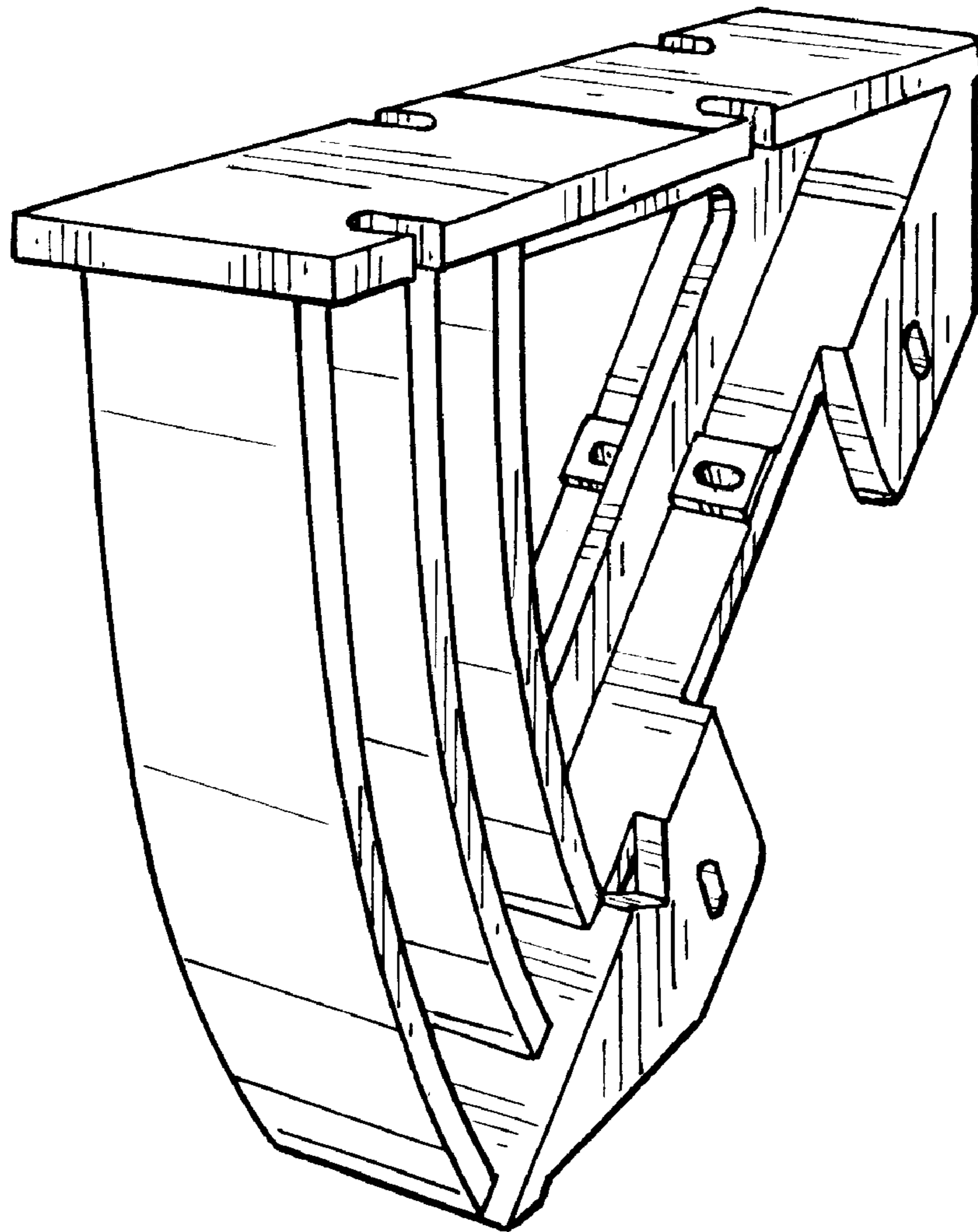


FIG. 1

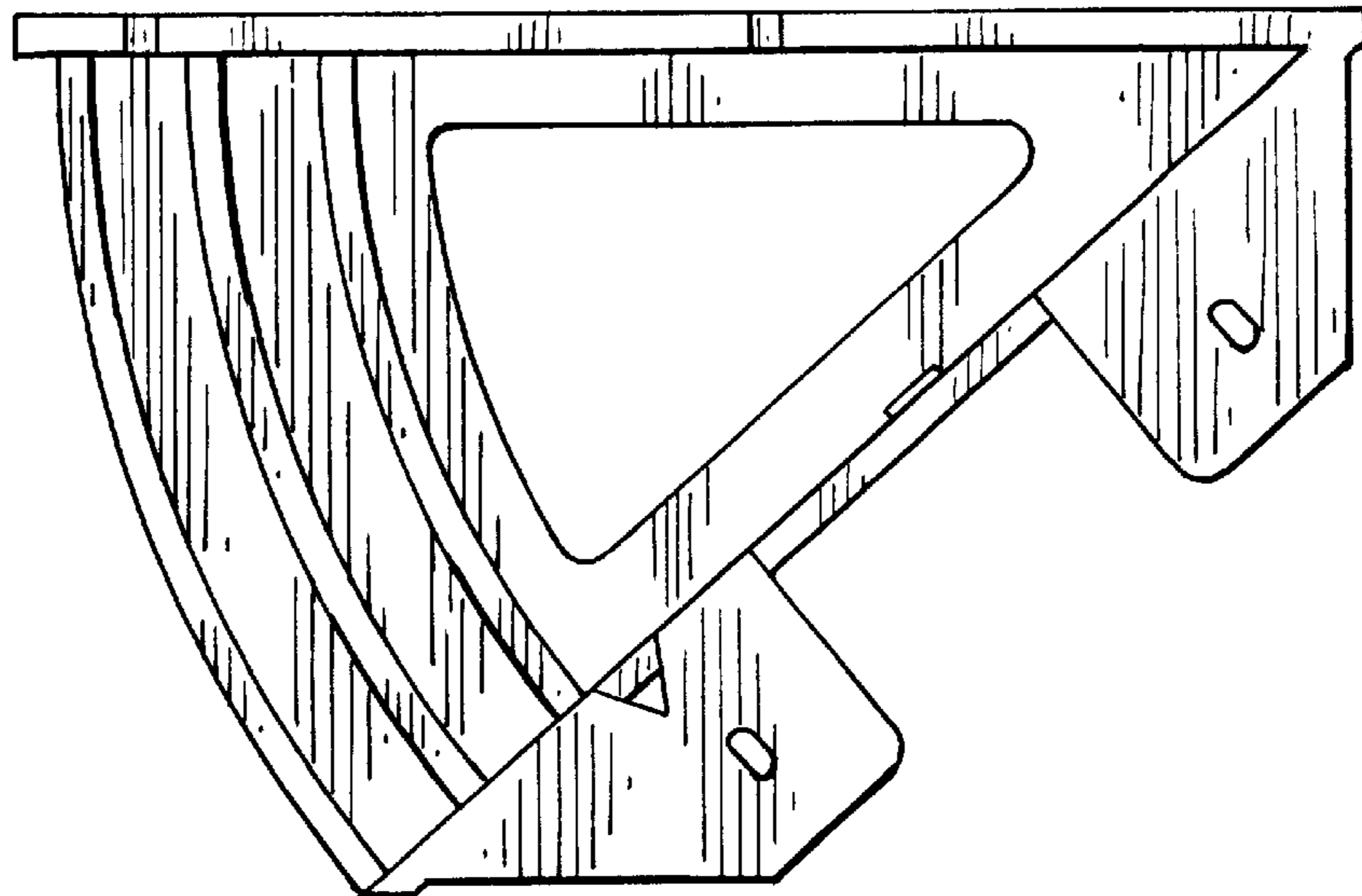


FIG. 2

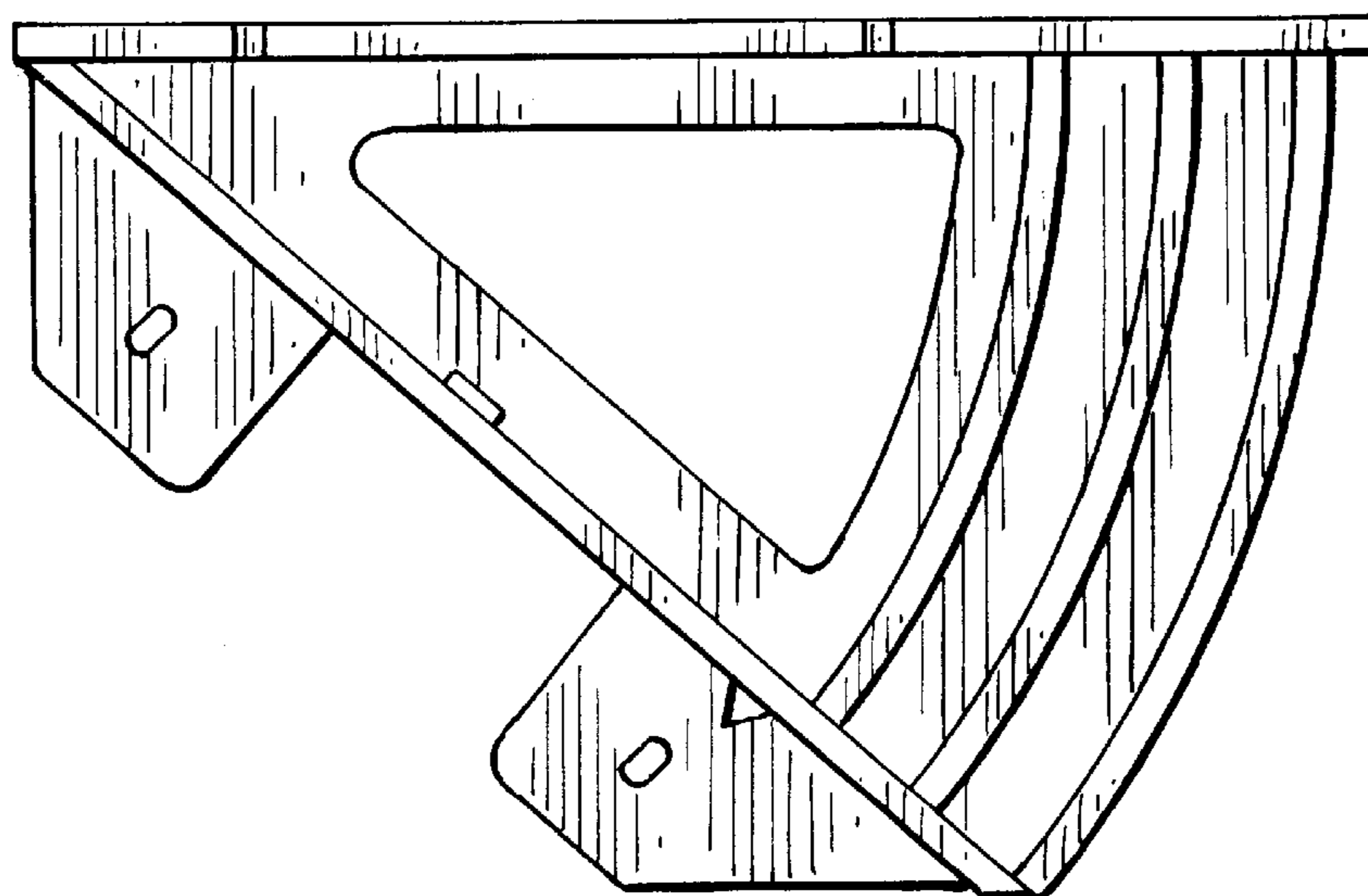


FIG. 3

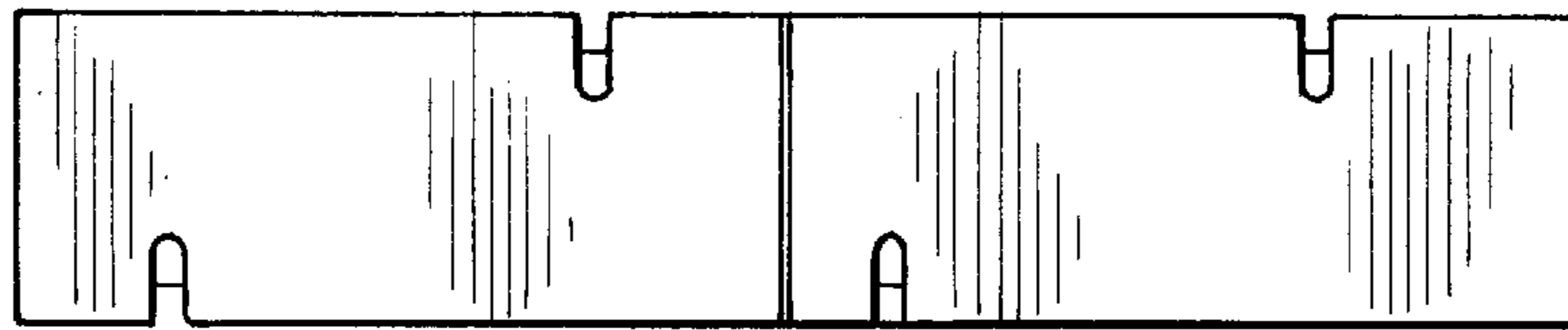


FIG. 4

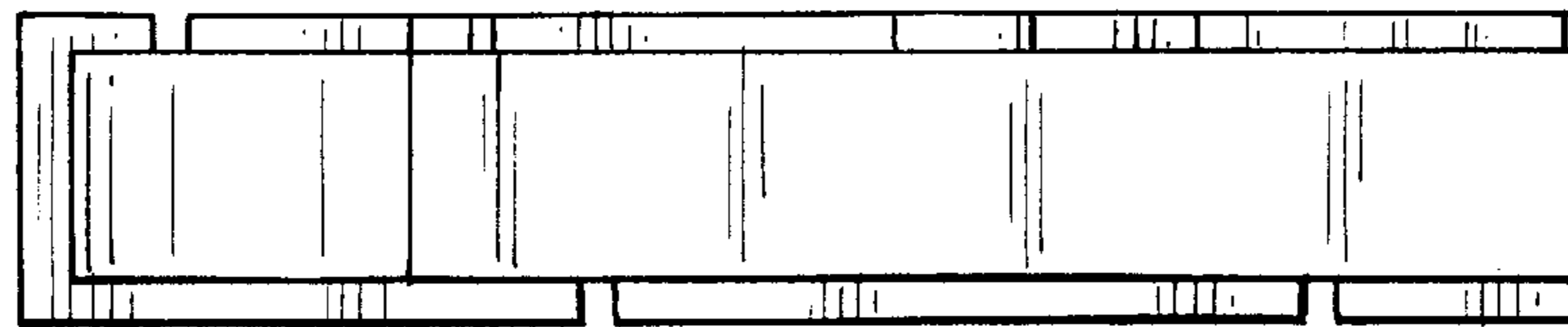


FIG. 5

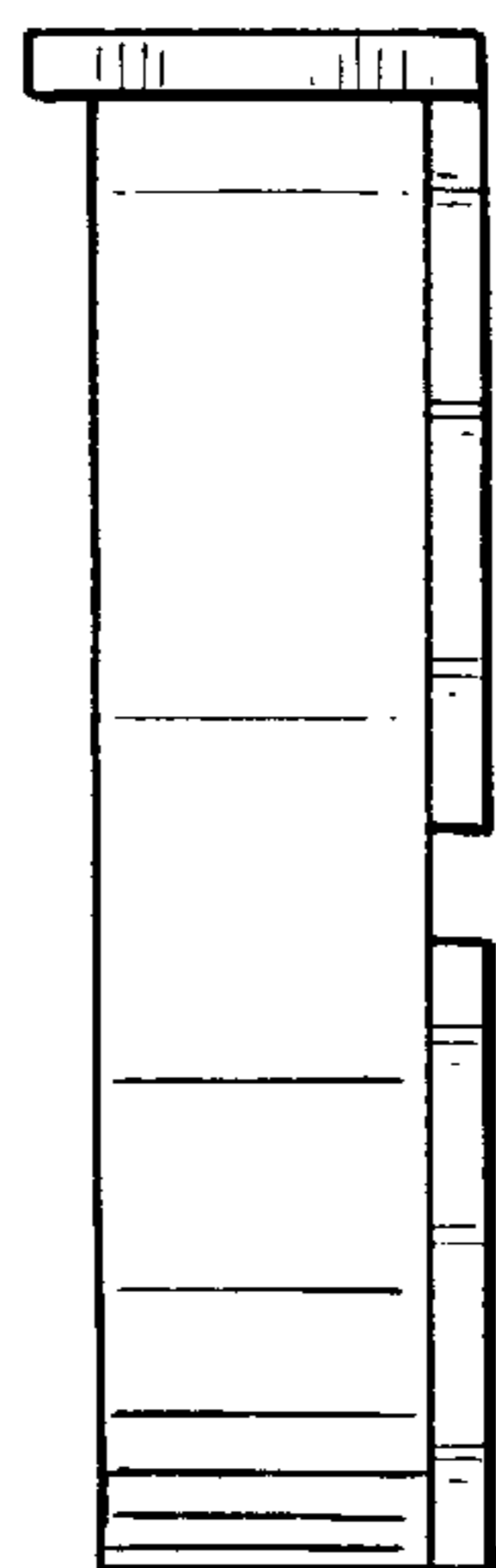


FIG. 6

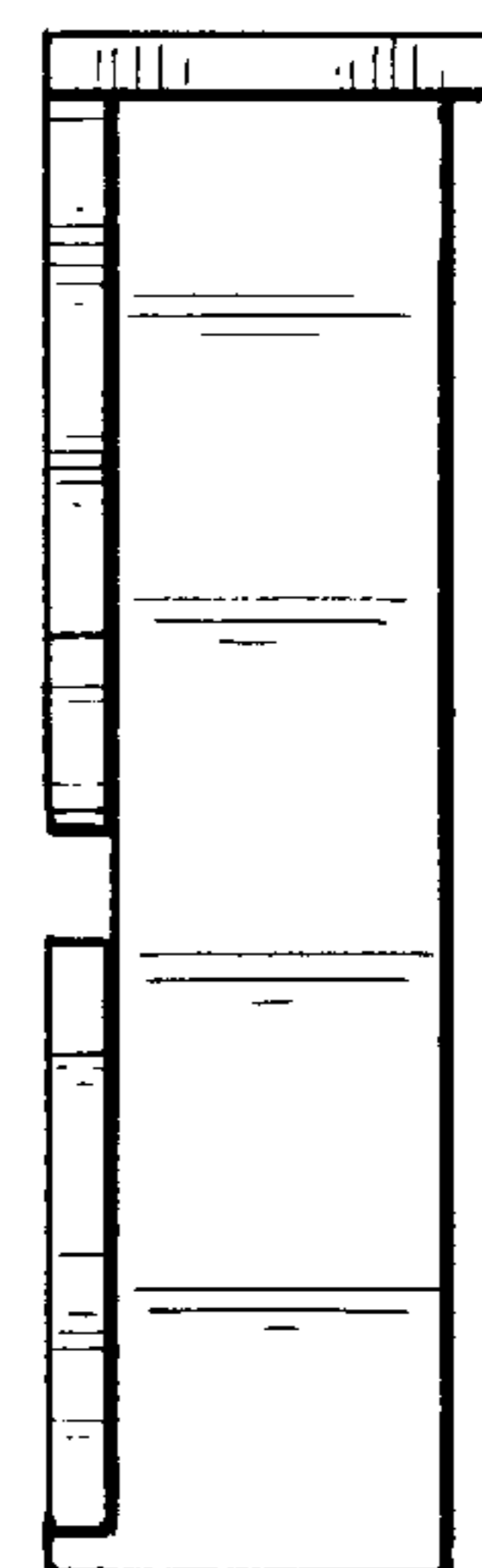


FIG. 7