

US00D495590S1

(12) **United States Design Patent** (10) **Patent No.:** **US D495,590 S**  
**Goodman et al.** (45) **Date of Patent:** **\*\* Sep. 7, 2004**

(54) **DOUBLE HOOK WITH MOUNTING PLATE**

Spectrum Wire Storage Brochure, Circa 2002, Cover page and 5 pages.

(75) Inventors: **Sheldon H. Goodman**, 30905 Stratford Dr., Solon, OH (US) 44139; **Kent W. Murphy**, Wooster, OH (US)

\* cited by examiner

(73) Assignee: **Sheldon H. Goodman**, Solon, OH (US)

*Primary Examiner*—Holly Baynham  
(74) *Attorney, Agent, or Firm*—Fay, Sharpe, Fagan, Minnich & McKee, LLP

(\*\*) Term: **14 Years**

(21) Appl. No.: **29/193,986**

(57) **CLAIM**

(22) Filed: **Nov. 17, 2003**

The ornamental design for a double hook with mounting plate, as shown and described.

(51) **LOC (7) Cl.** ..... **08-05**

(52) **U.S. Cl.** ..... **D8/367**

(58) **Field of Search** ..... D8/367, 363; D6/323; 248/301, 304, 215

**DESCRIPTION**

(56) **References Cited**

**U.S. PATENT DOCUMENTS**

D387,569 S	12/1997	Goodman et al.	
D390,012 S	2/1998	Goodman et al.	
D409,398 S	* 5/1999	Sweetman	..... D6/323
D424,816 S	* 5/2000	Snell	..... D6/323
D463,730 S	* 10/2002	Snell	..... D8/367
D472,087 S	3/2003	Goodman et al.	
D473,451 S	4/2003	Goodman et al.	

FIG. 1 is a perspective view of a double hook with mounting plate showing our new design;

FIG. 2 is a left side elevational view thereof, with the right side elevational view being a mirror image thereof;

FIG. 3 is a front elevational view thereof;

FIG. 4 is a rear elevational view thereof;

FIG. 5 is a top plan view thereof; and,

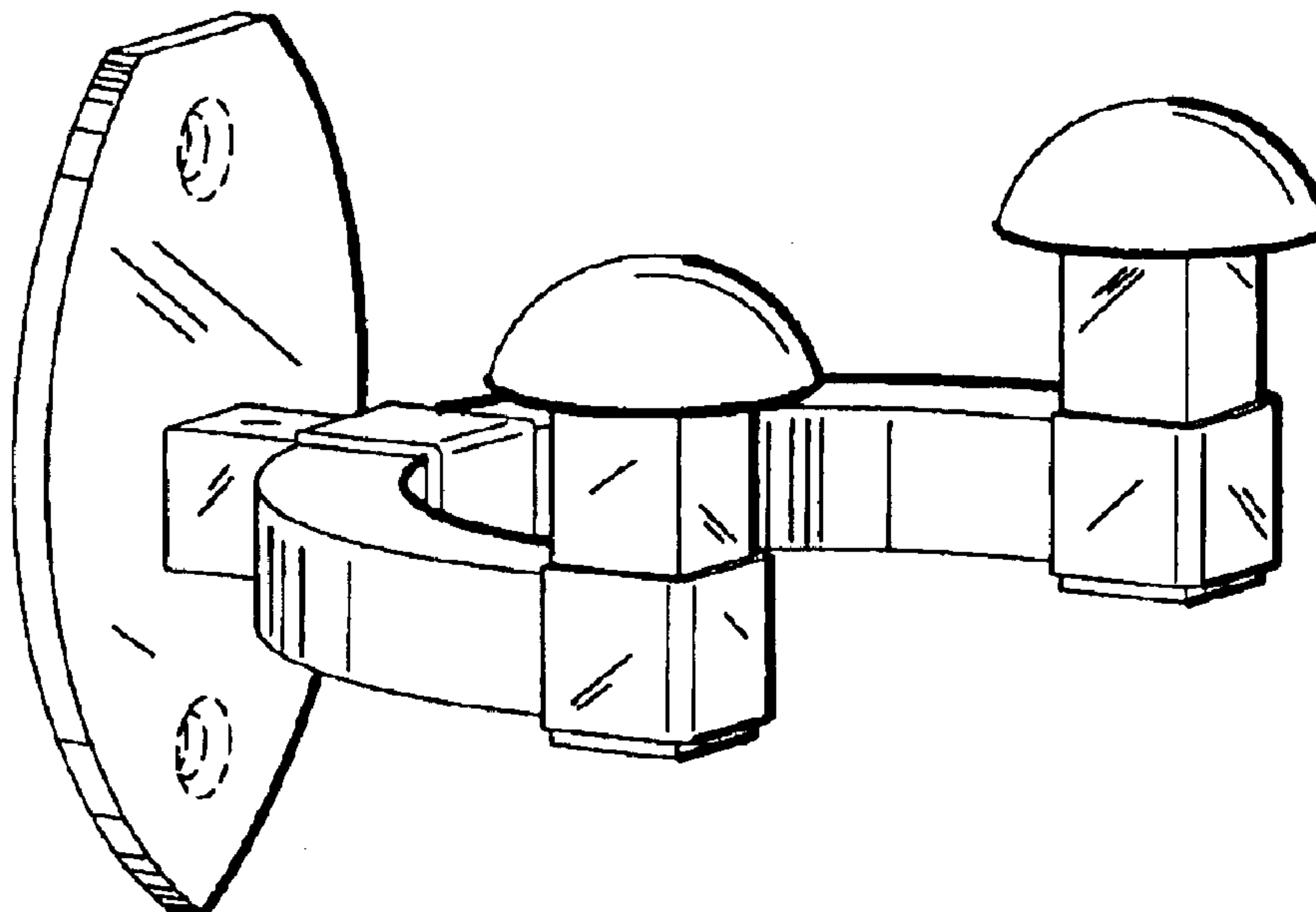
FIG. 6 is a bottom plan view thereof.

The portions shown in broken lines in FIGS. 1, 3 and 4 are for illustrative purposes only and form no part of the claimed design.

**OTHER PUBLICATIONS**

Spectrum New For 2002 New Products Brochure, Circa 2002, Cover page and 7 pages.  
Spectrum Hooks and Holders Brochure, Circa 2002, Cover page and 7 pages.

**1 Claim, 2 Drawing Sheets**



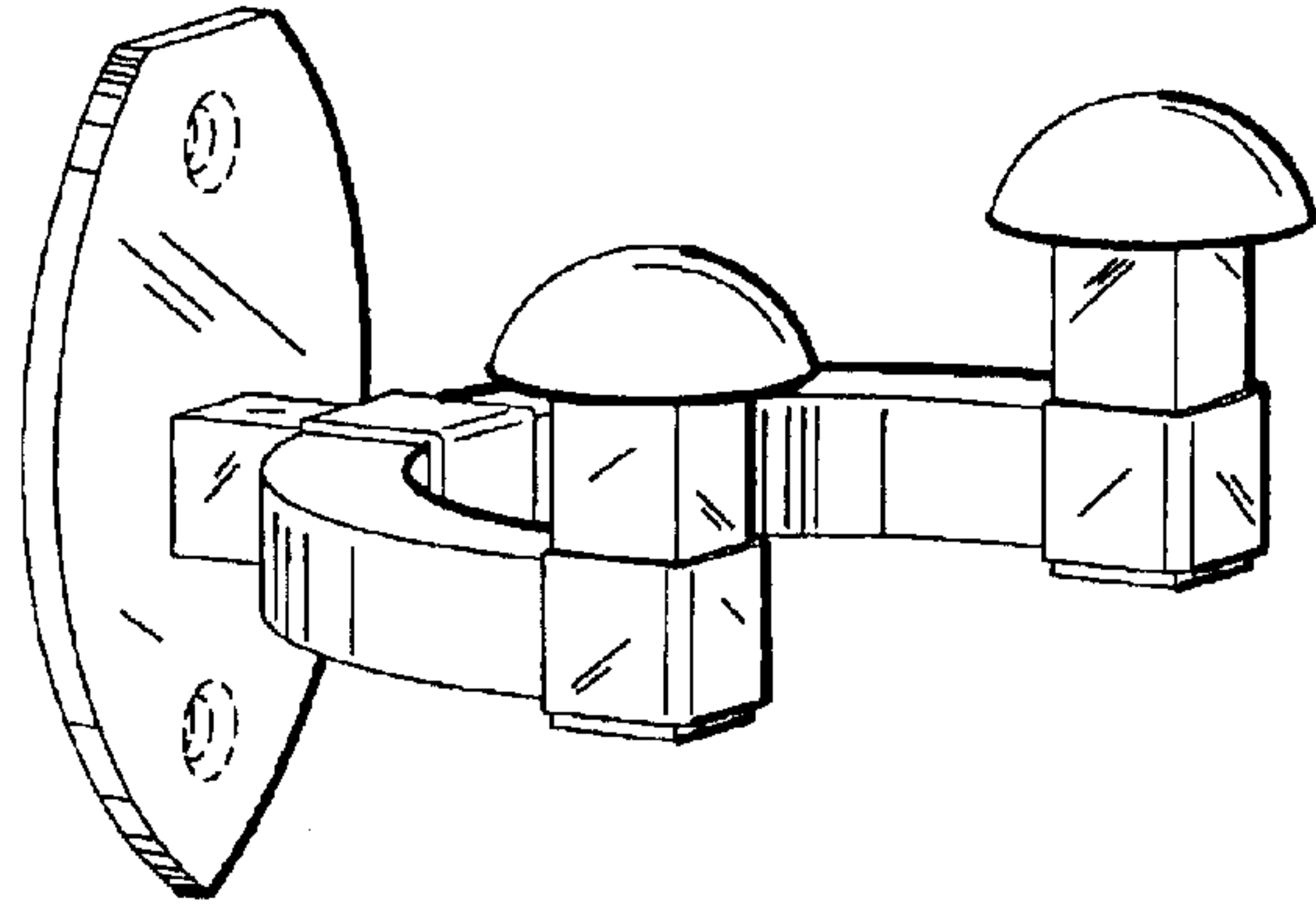


FIG. 1

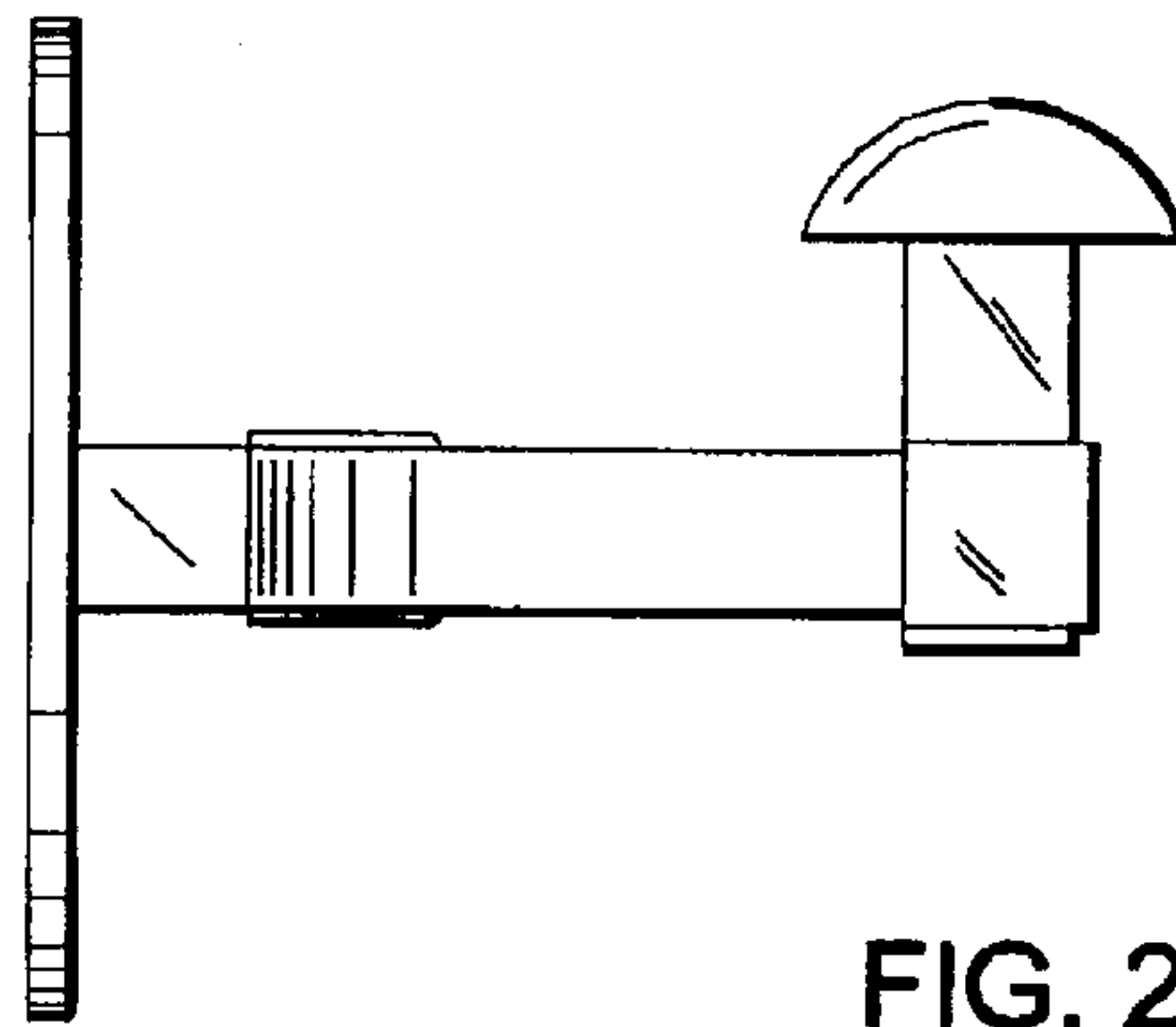


FIG. 2

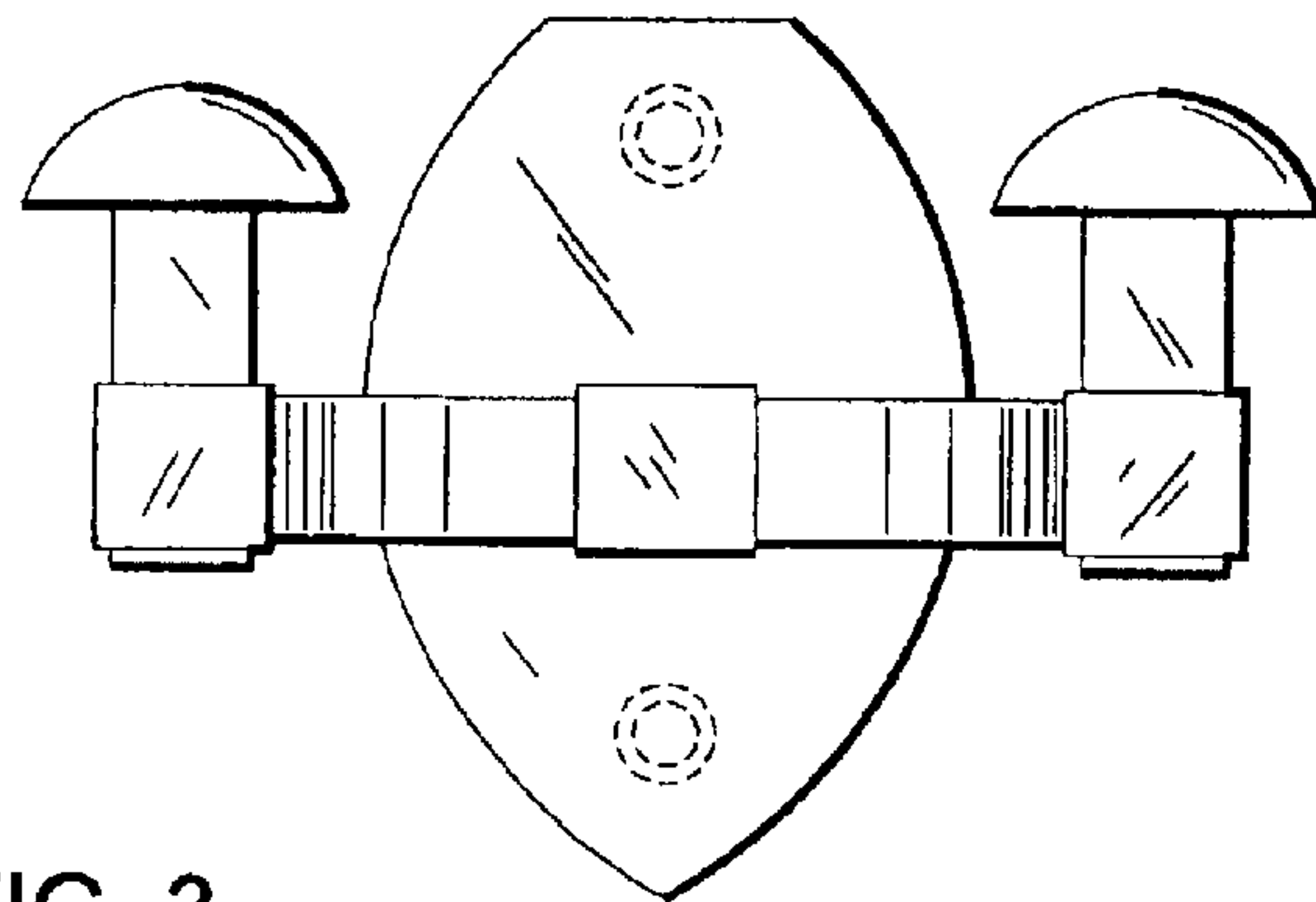


FIG. 3

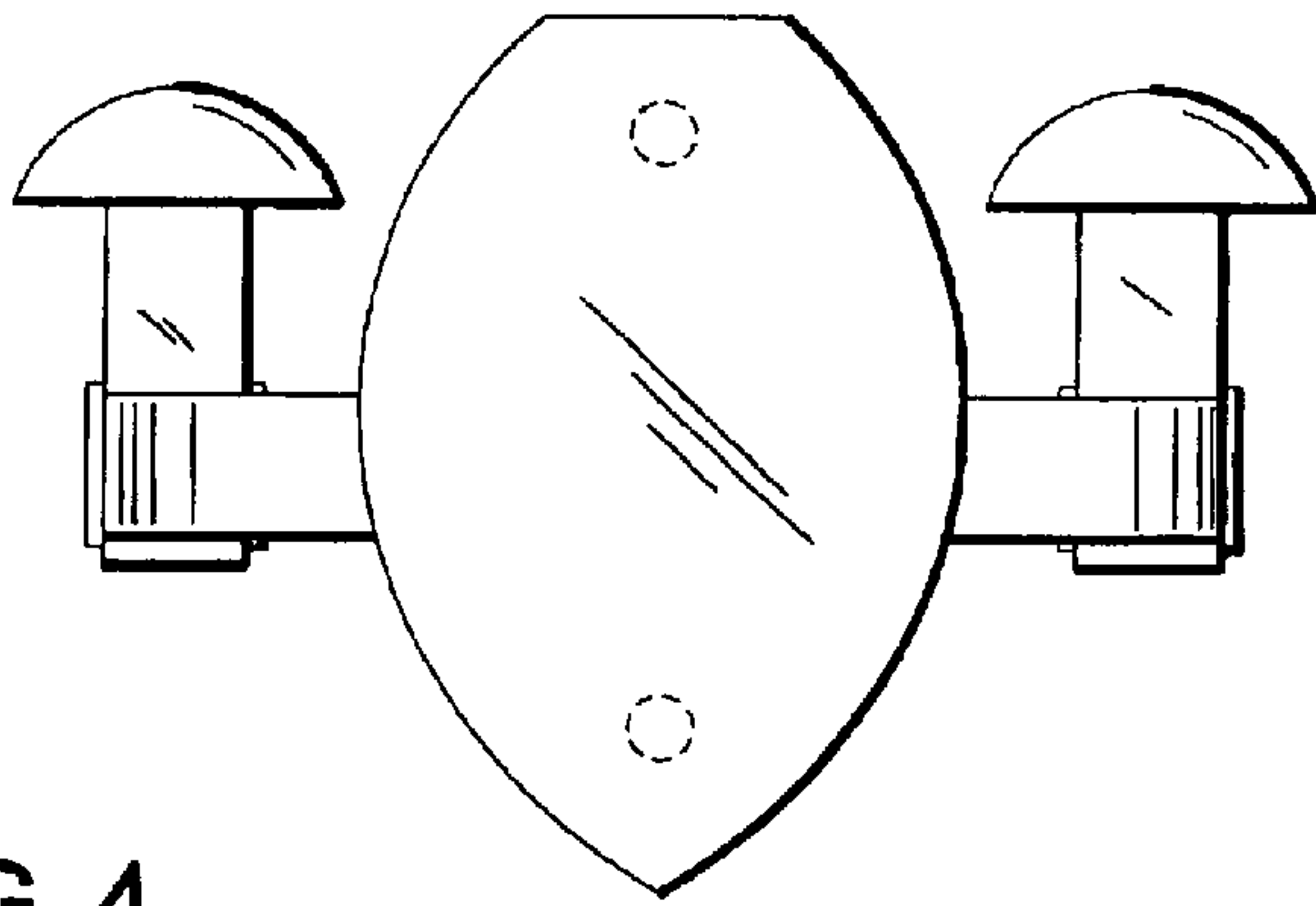


FIG. 4

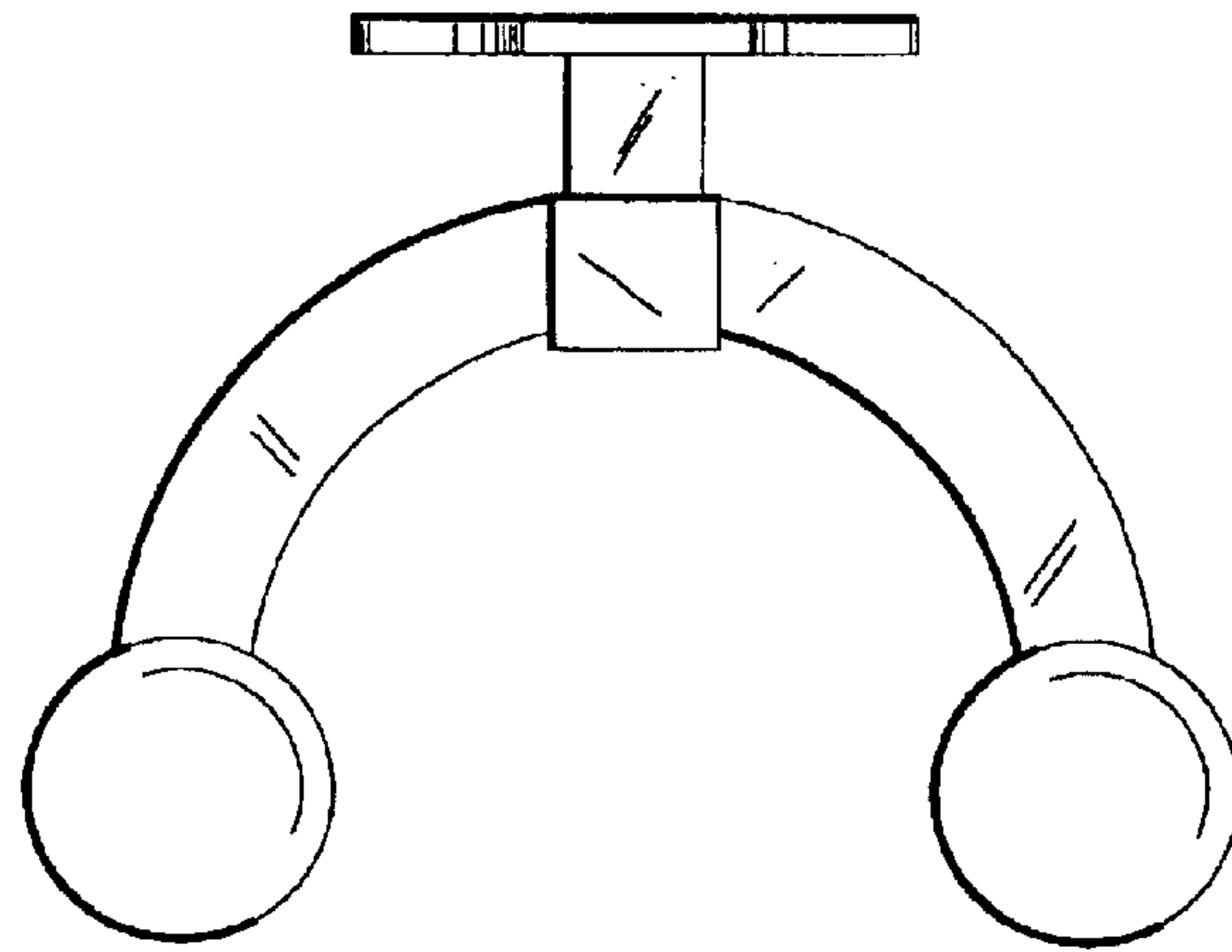


FIG. 5

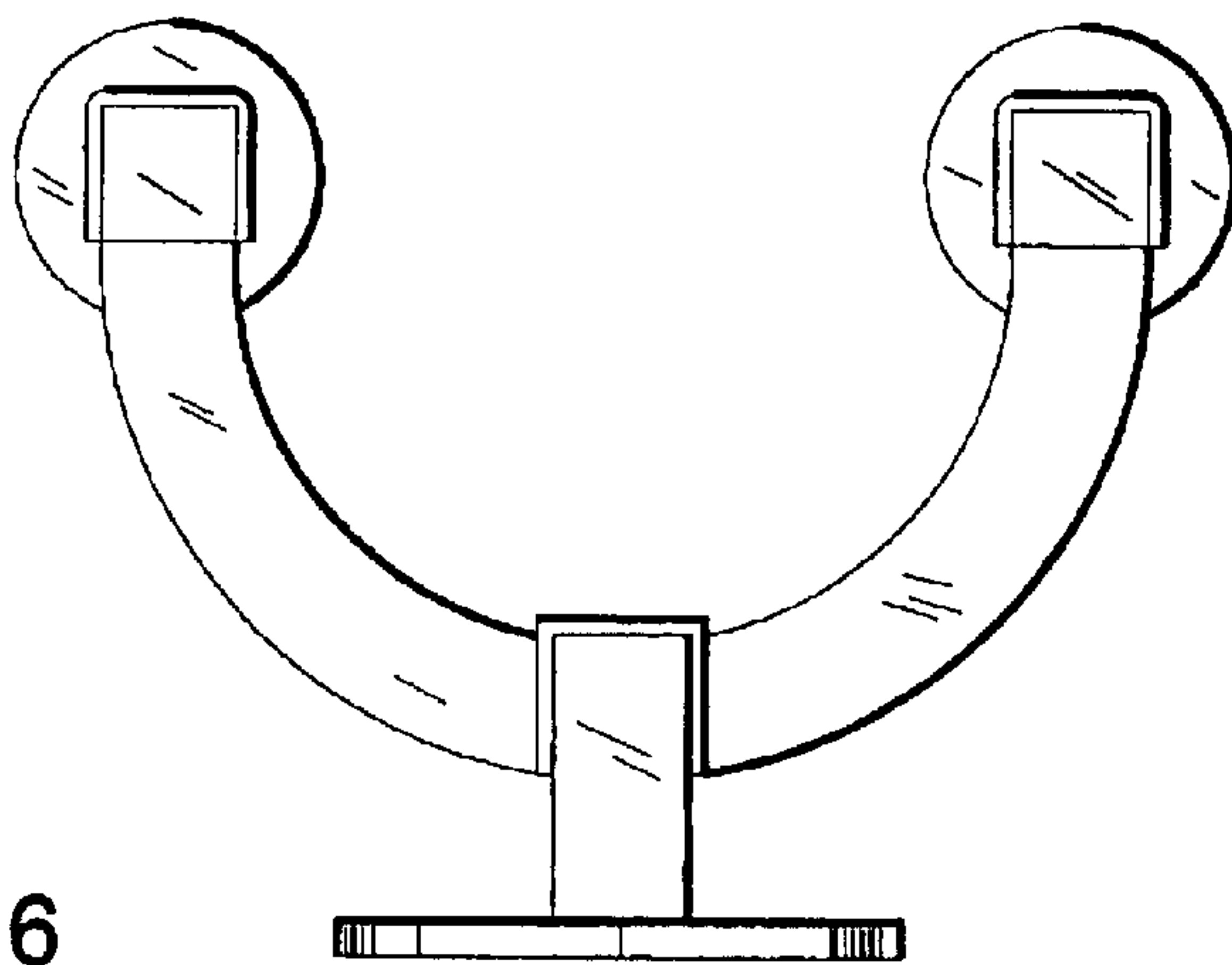


FIG. 6