

US00D495589S1

(12) **United States Design Patent** (10) **Patent No.:** **US D495,589 S**  
**Goodman et al.** (45) **Date of Patent:** **\*\* Sep. 7, 2004**

(54) **SINGLE HOOK WITH MOUNTING PLATE**

(75) Inventors: **Sheldon H. Goodman**, 30905 Stratford Dr., Solon, OH (US) 44139; **Kent W. Murphy**, Wooster, OH (US)

(73) Assignee: **Sheldon H. Goodman**, Solon, OH (US)

(\*\*) Term: **14 Years**

(21) Appl. No.: **29/193,985**

(22) Filed: **Nov. 17, 2003**

(51) **LOC (7) Cl.** ..... **08-05**

(52) **U.S. Cl.** ..... **D8/367**

(58) **Field of Search** ..... D8/367, 363; D6/323; 248/301, 304, 215

(56) **References Cited**

**U.S. PATENT DOCUMENTS**

D400,425 S	11/1998	Goodman et al.	
D408,723 S	4/1999	Goodman et al.	
D409,398 S	* 5/1999	Sweetman	..... D6/323
D412,658 S	8/1999	Goodman et al.	
D424,816 S	* 5/2000	Snell	..... D6/323
D439,143 S	3/2001	Goodman et al.	
D455,947 S	4/2002	Goodman et al.	
D463,730 S	* 10/2002	Snell	..... D8/367
D472,087 S	3/2003	Goodman et al.	
D473,451 S	4/2003	Goodman et al.	
D473,454 S	4/2003	Goodman et al.	
D475,611 S	6/2003	Goodman et al.	
D477,526 S	7/2003	Goodman et al.	

**OTHER PUBLICATIONS**

Spectrum New For 2002 New Products Brochure, Circa 2002, Cover page and 7 pages.

Spectrum Hooks and Holders Brochure, Circa 2002, Cover page and 7 pages.

Spectrum Wire Storage Brochure, Circa 2002, Cover page and 5 pages.

\* cited by examiner

*Primary Examiner*—Holly Baynham

(74) *Attorney, Agent, or Firm*—Fay, Sharpe, Fagan, Minnich & McKee, LLP

(57) **CLAIM**

The ornamental design for a single hook with mounting plate, as shown and described.

**DESCRIPTION**

FIG. 1 is a perspective view of a single hook with mounting plate showing our new design;

FIG. 2 is a right side elevational view thereof, with the left side elevational view being a mirror image thereof;

FIG. 3 is a front elevational view thereof;

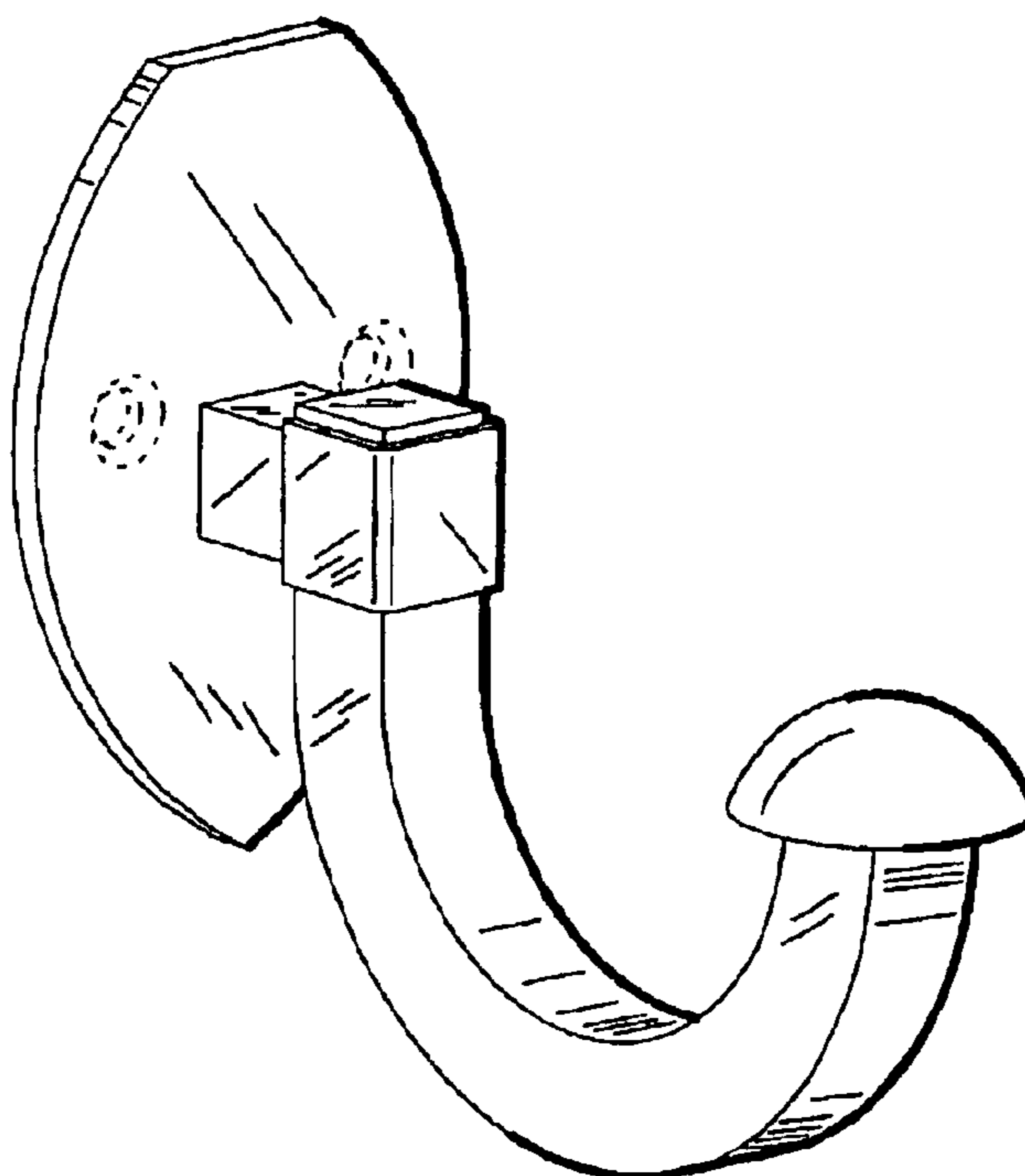
FIG. 4 is a rear elevational view thereof;

FIG. 5 is a top plan view thereof; and,

FIG. 6 is a bottom plan view thereof.

The portions shown in the broken lines in FIGS. 1, 3 and 4 are for illustrative purposes only and form no part of the claimed design.

**1 Claim, 2 Drawing Sheets**



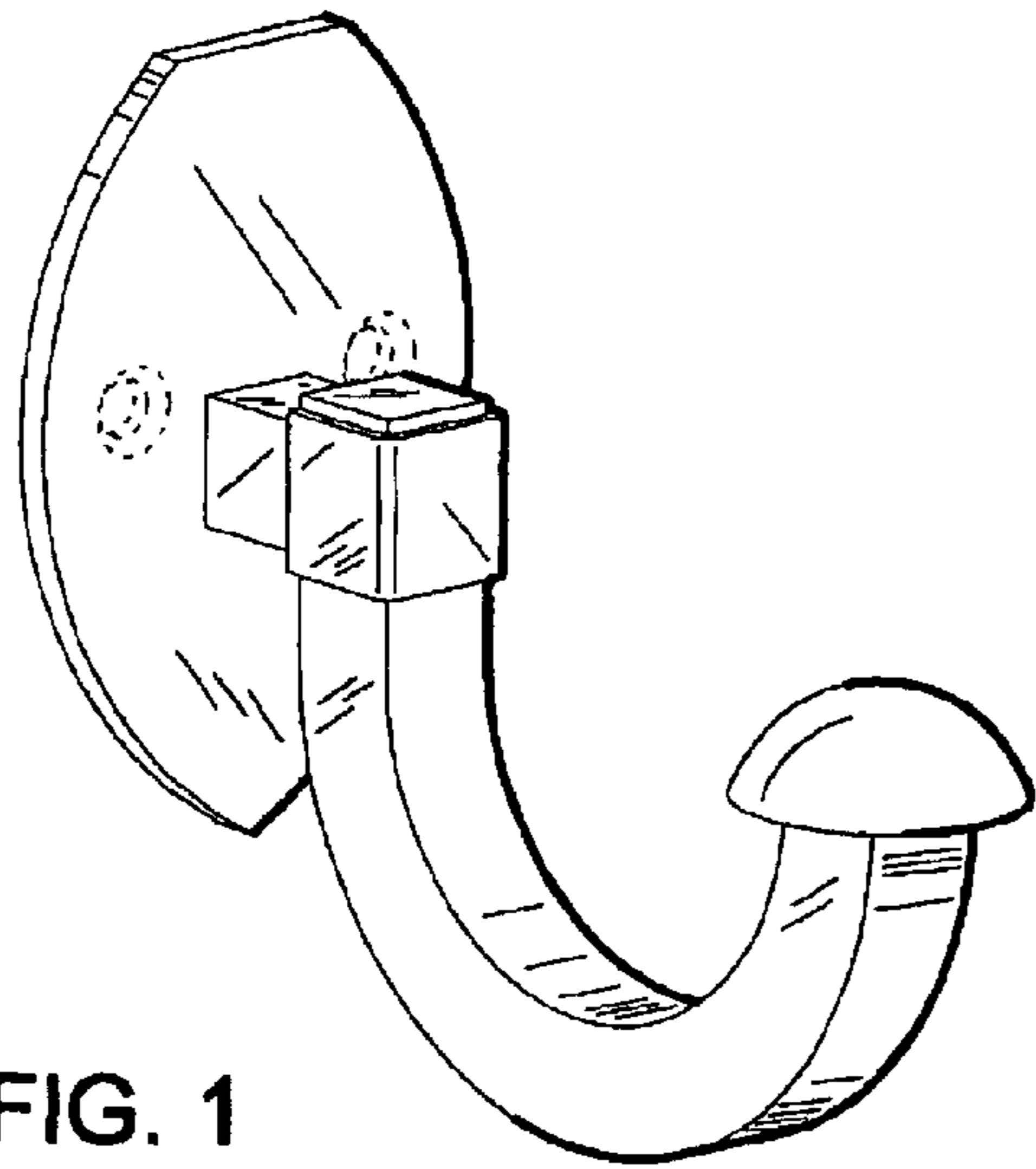


FIG. 1

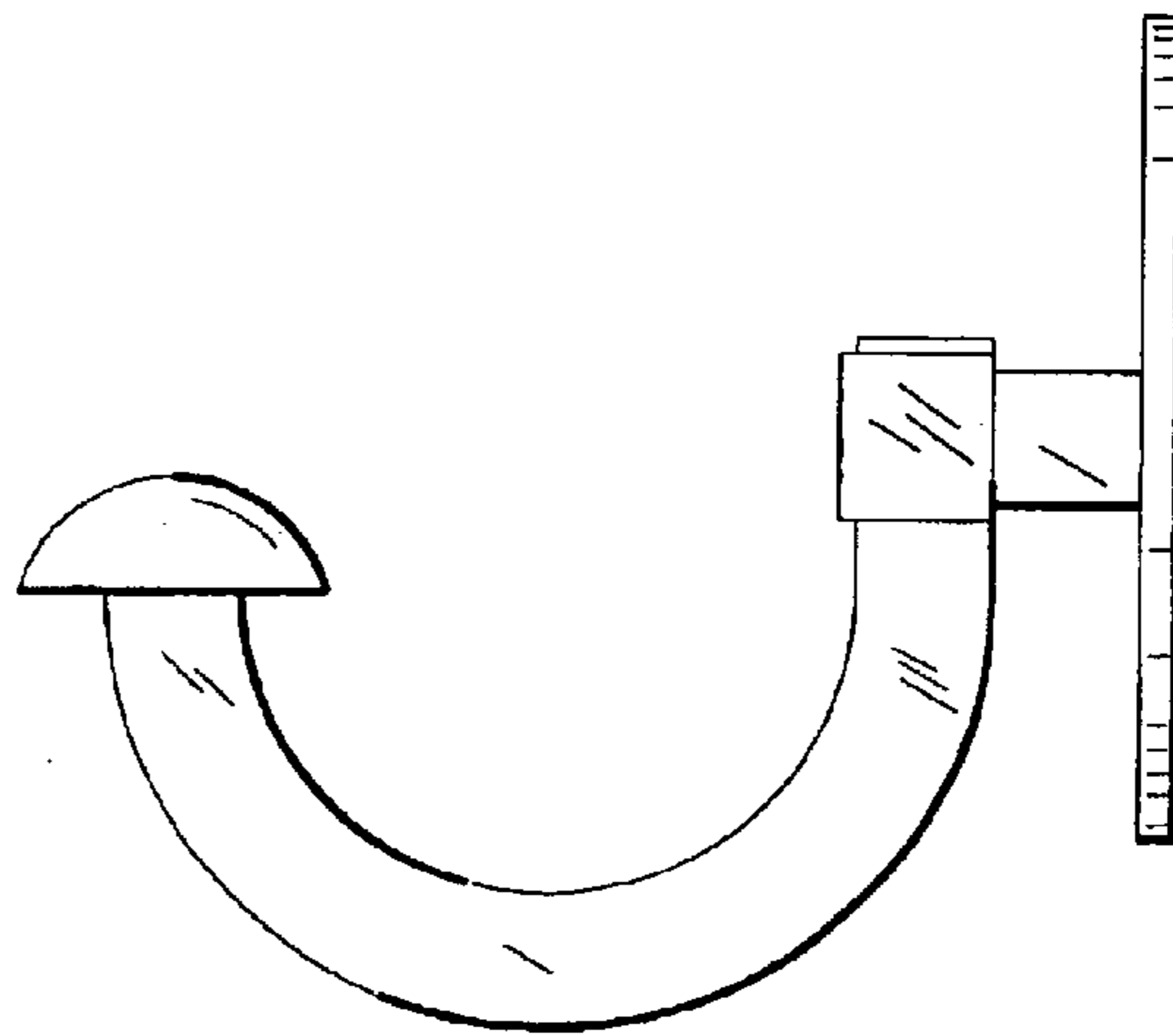


FIG. 2

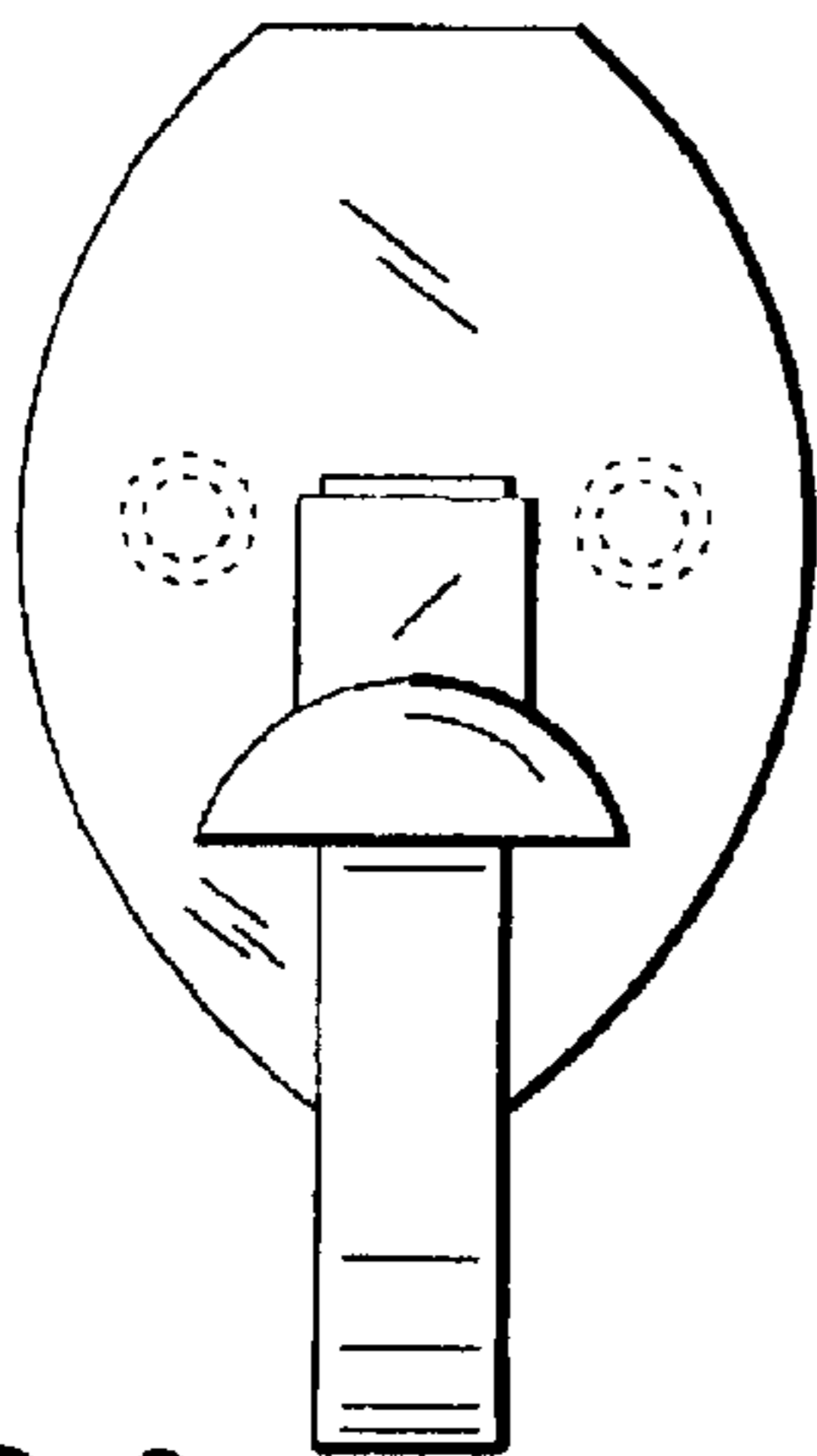


FIG. 3

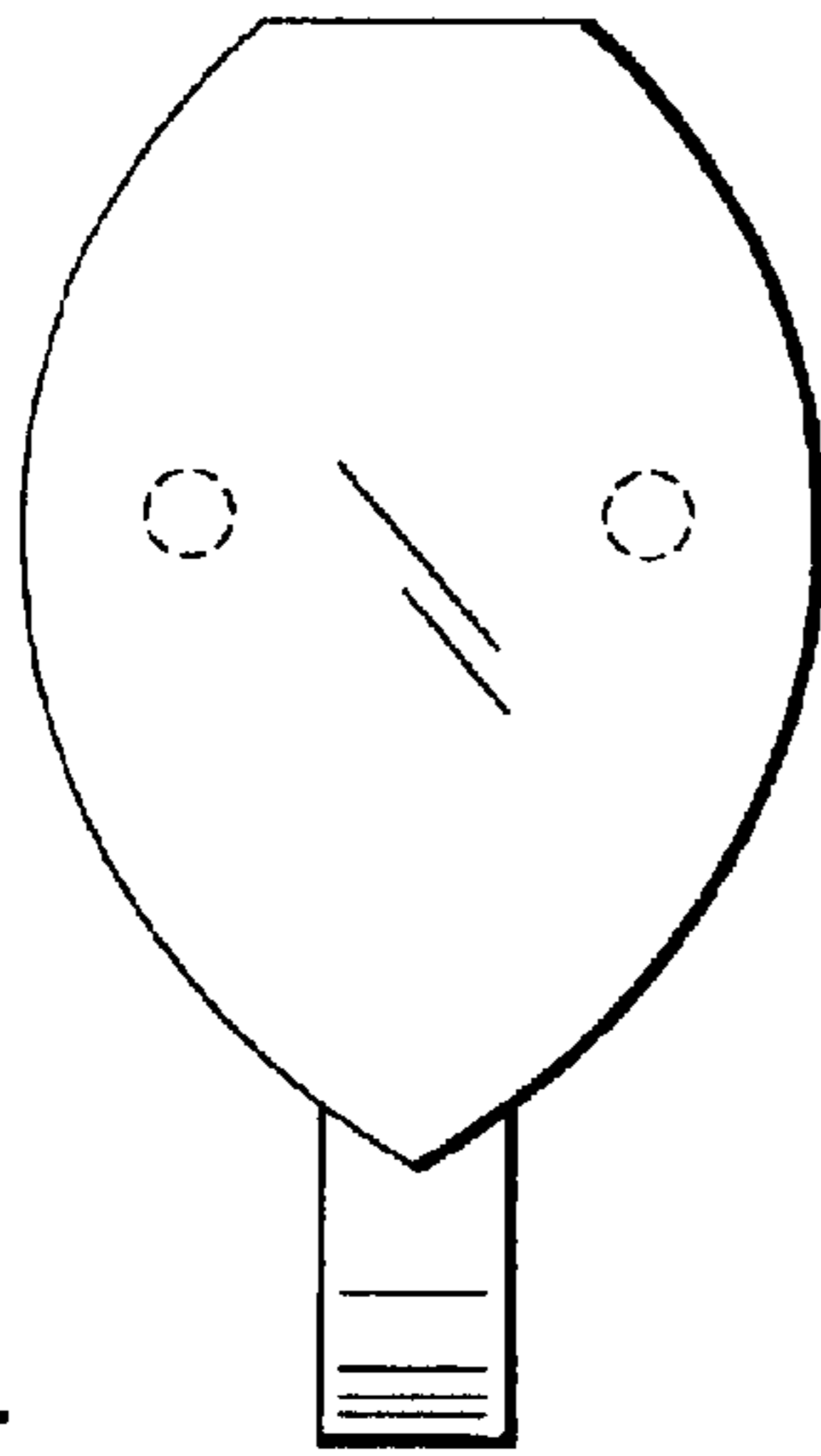


FIG. 4

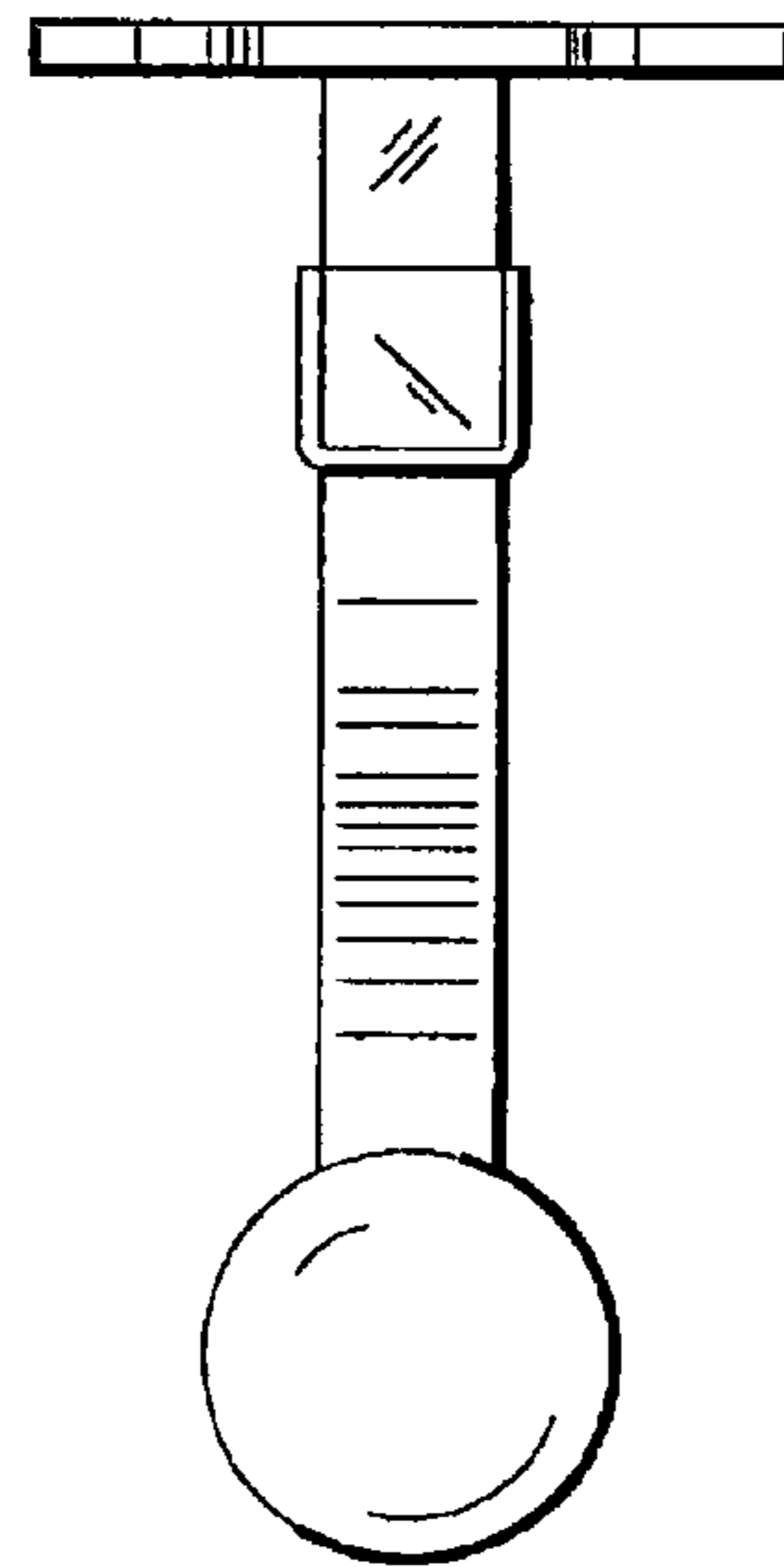


FIG. 5

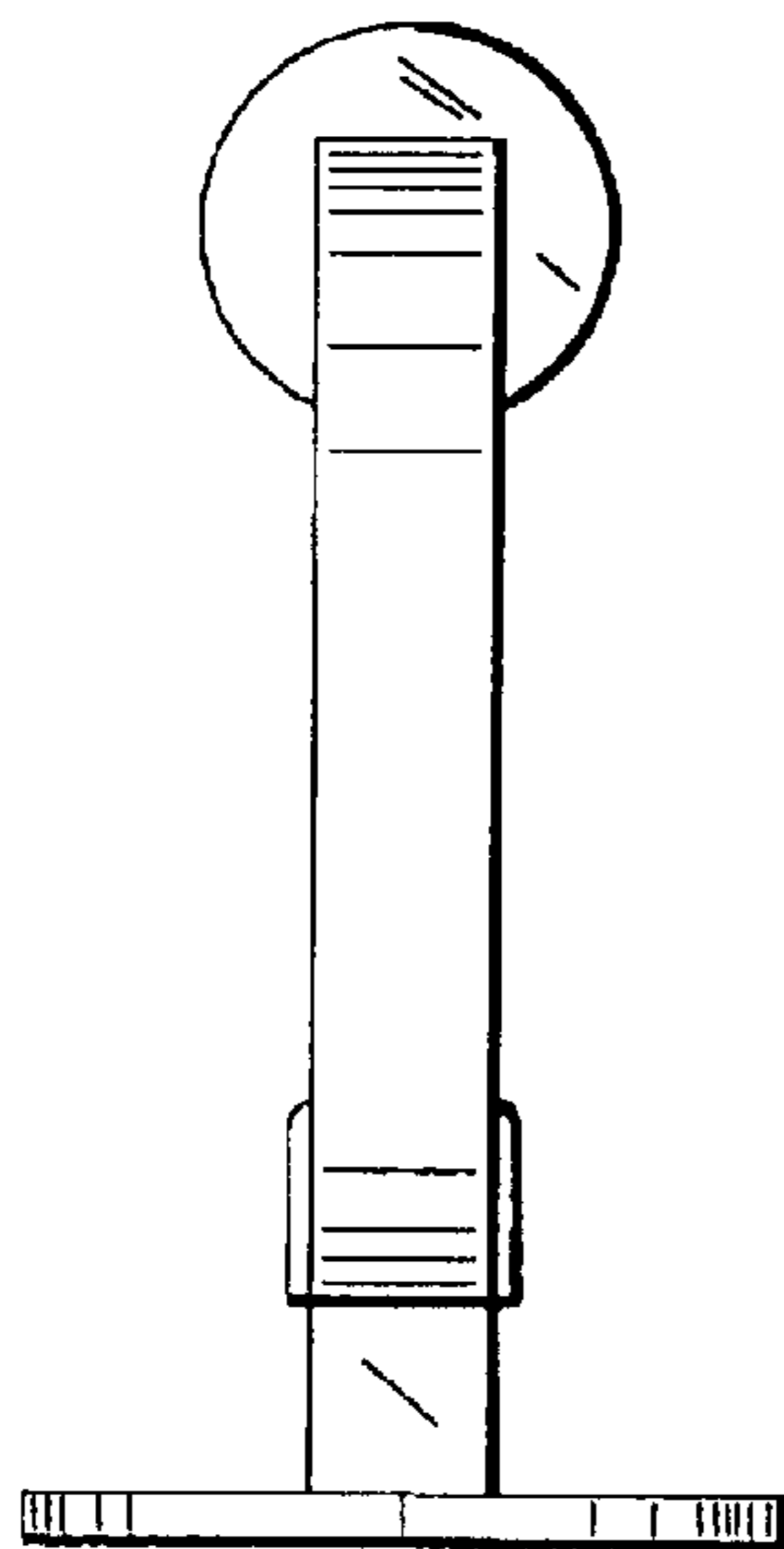


FIG. 6