

US00D495588S1

(12) **United States Design Patent** (10) **Patent No.:** **US D495,588 S**
Wurdack (45) **Date of Patent:** **** Sep. 7, 2004**

(54) **UNIVERSAL ONE-HOOK FITTING FOR RAISING AND LOWERING HEAVY OBJECTS**

(76) **Inventor:** **Roy A. Wurdack**, 8506 Snow Hill Rd., Ooltewah, TN (US) 37363

(**) **Term:** **14 Years**

(21) **Appl. No.:** **29/193,416**

(22) **Filed:** **Nov. 7, 2003**

(51) **LOC (7) Cl.** **08-05**

(52) **U.S. Cl.** **D8/367**

(58) **Field of Search** D8/367; D6/580; 248/220.43, 220.21, 262-263

(56) **References Cited**

U.S. PATENT DOCUMENTS

3,162,148 A	12/1964	Ganz	248/221.43
4,387,872 A	6/1983	Hogue	248/221.43
D287,179 S	12/1986	Kuykendall	D34/31
5,261,643 A	11/1993	Wurdack	254/106
5,385,335 A	1/1995	Wurdack	254/1
D416,471 S	11/1999	Wurdack	D8/363
D424,816 S *	5/2000	Snell	D6/323
D463,730 S *	10/2002	Snell	D8/367

D473,451 S * 4/2003 Goodman et al. D8/367

* cited by examiner

Primary Examiner—Holly Baynham

(74) *Attorney, Agent, or Firm*—Grace J. Fishel

(57) **CLAIM**

The ornamental design for a universal one-hook fitting for raising and lowering heavy objects, as shown.

DESCRIPTION

FIG. 1 is a perspective view of a universal one-hook fitting for raising and lowering heavy objects showing my new design;

FIG. 2 is an enlarged perspective view thereof showing my new design in use;

FIG. 3 is a side view thereof with the opposite side being a mirror image;

FIG. 4 is a front view thereof;

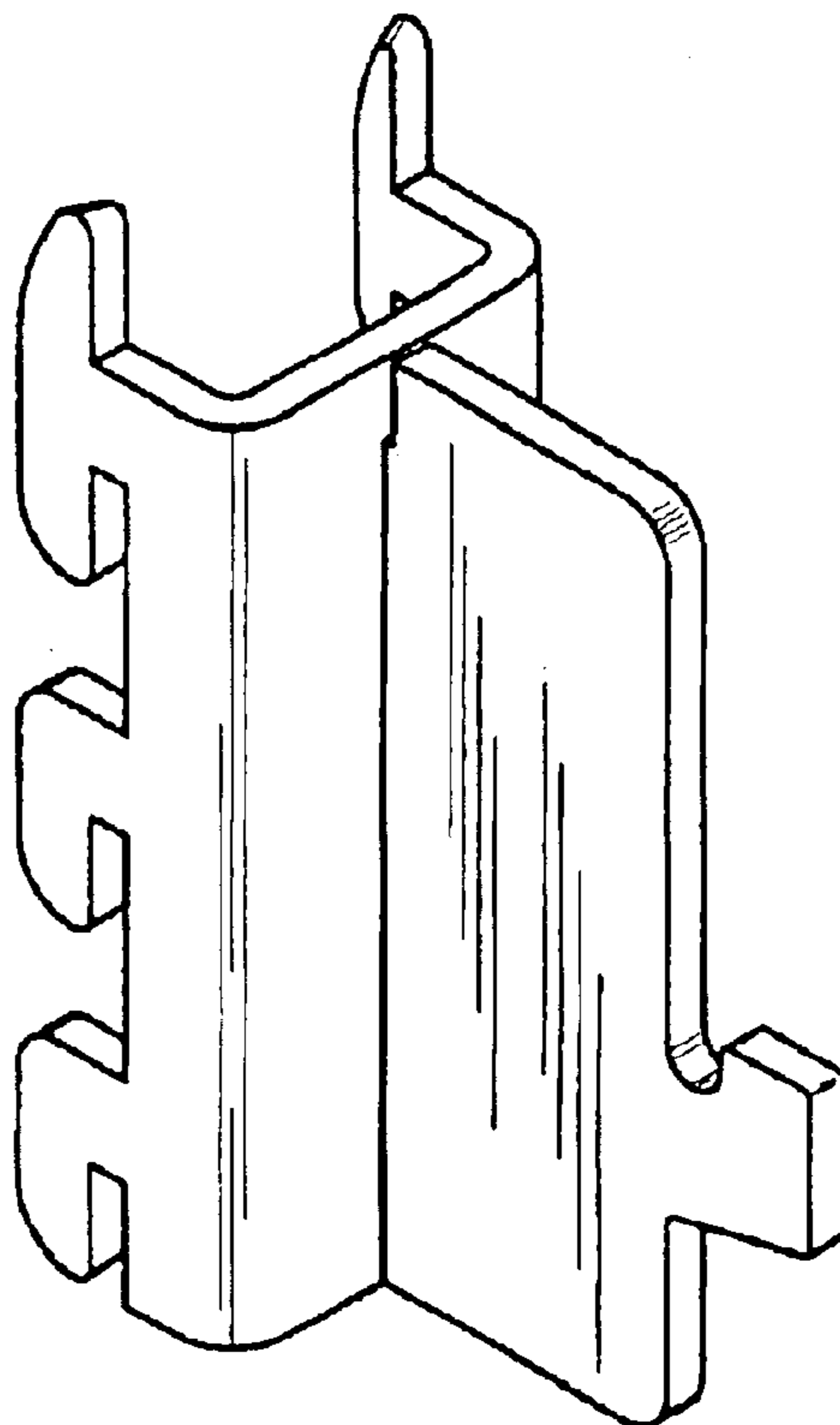
FIG. 5 is a rear view thereof;

FIG. 6 is a top view thereof; and,

FIG. 7 is a bottom view thereof.

The jack and frame shown in broken lines in FIG. 2 denote the nature and environmental use of the design and are not part of the design.

1 Claim, 2 Drawing Sheets



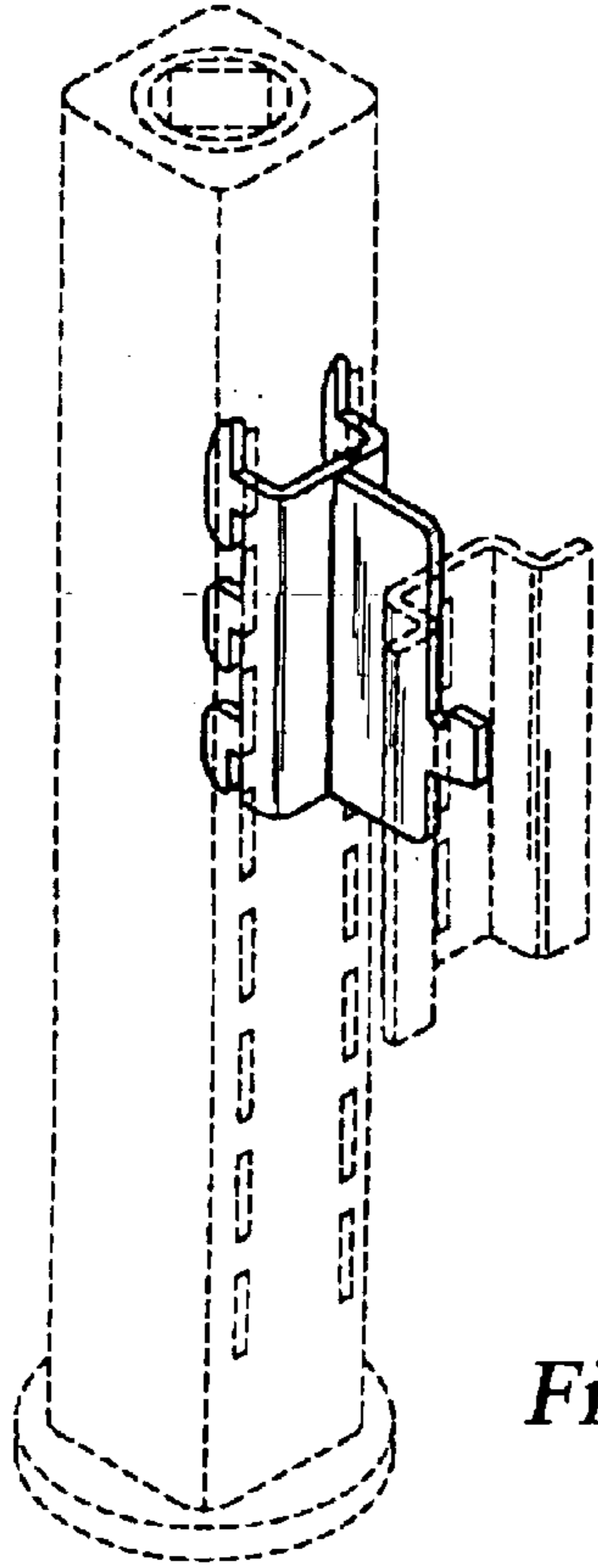


Fig. 2

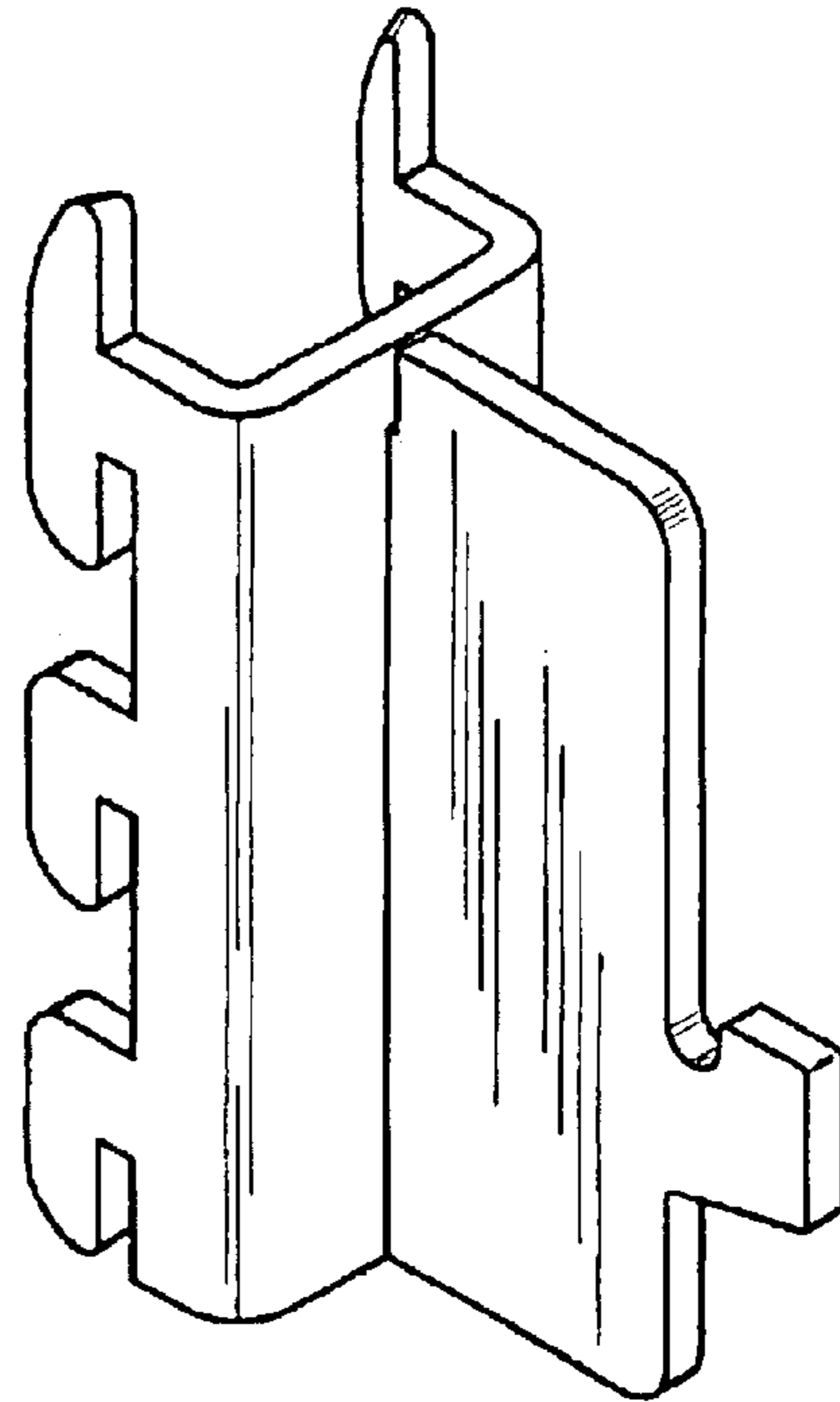


Fig. 1

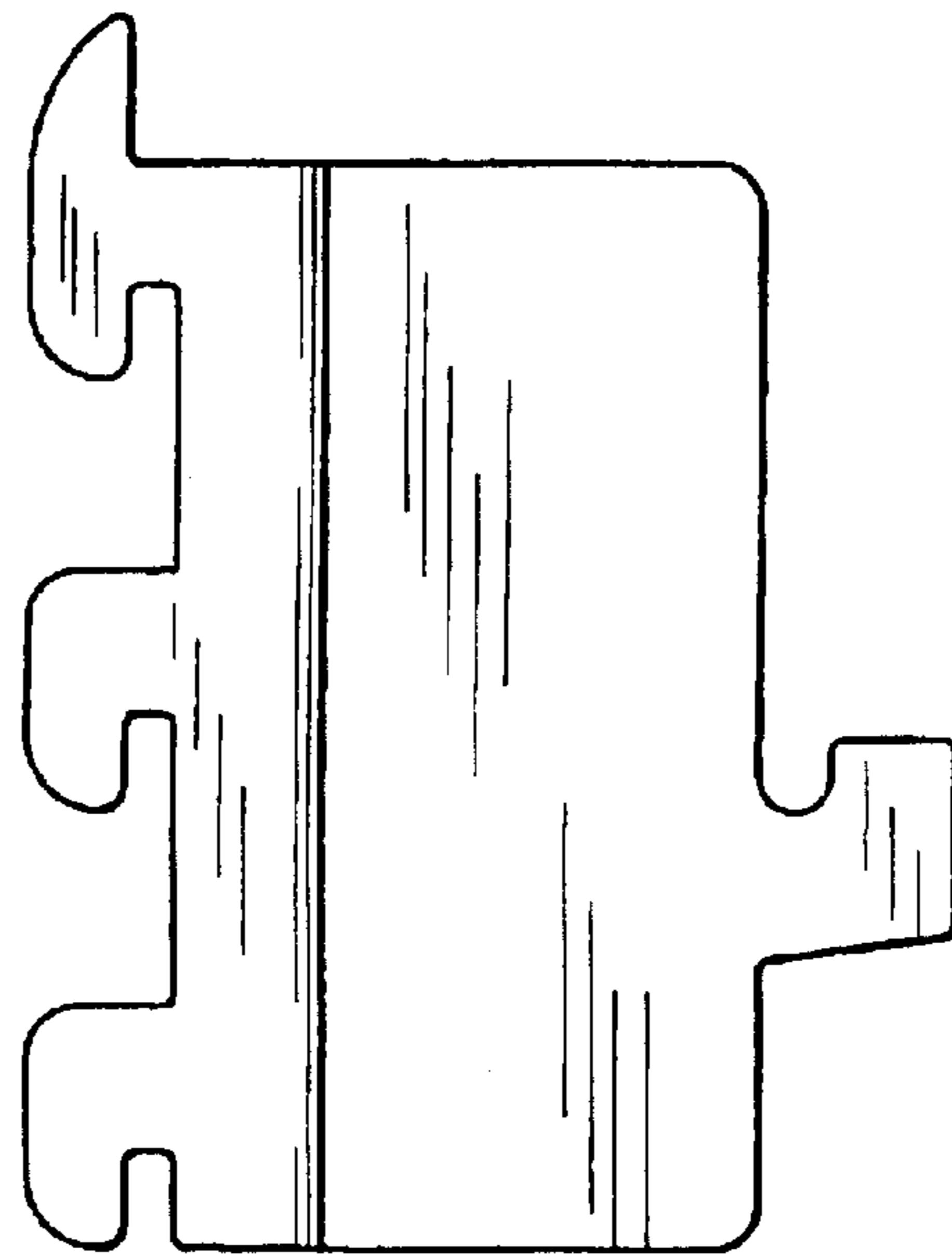


Fig. 3

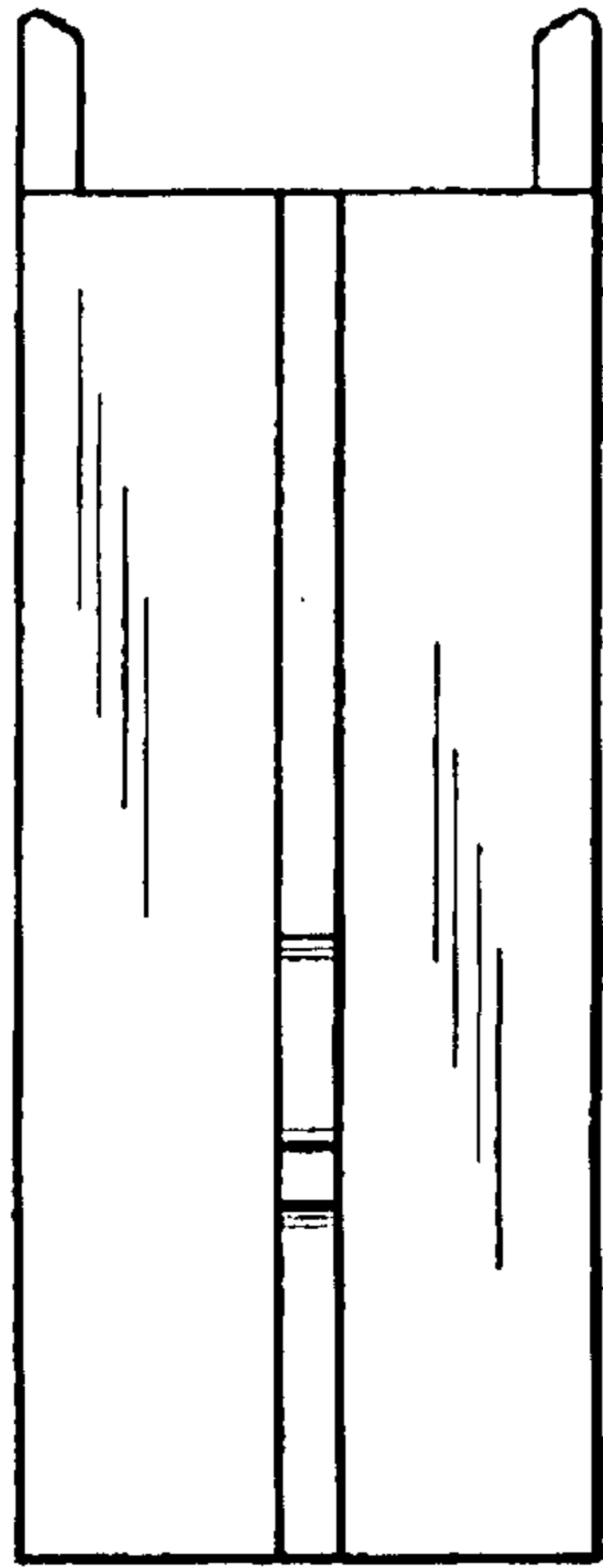


Fig. 4

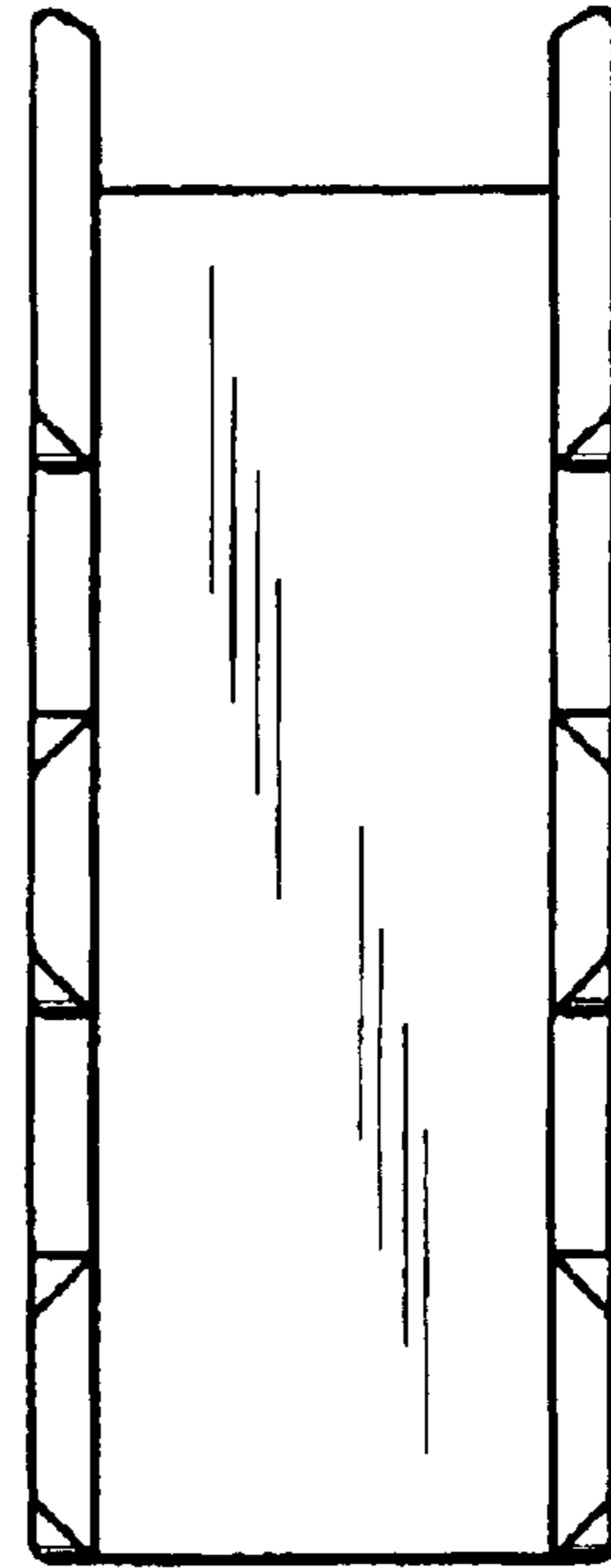


Fig. 5

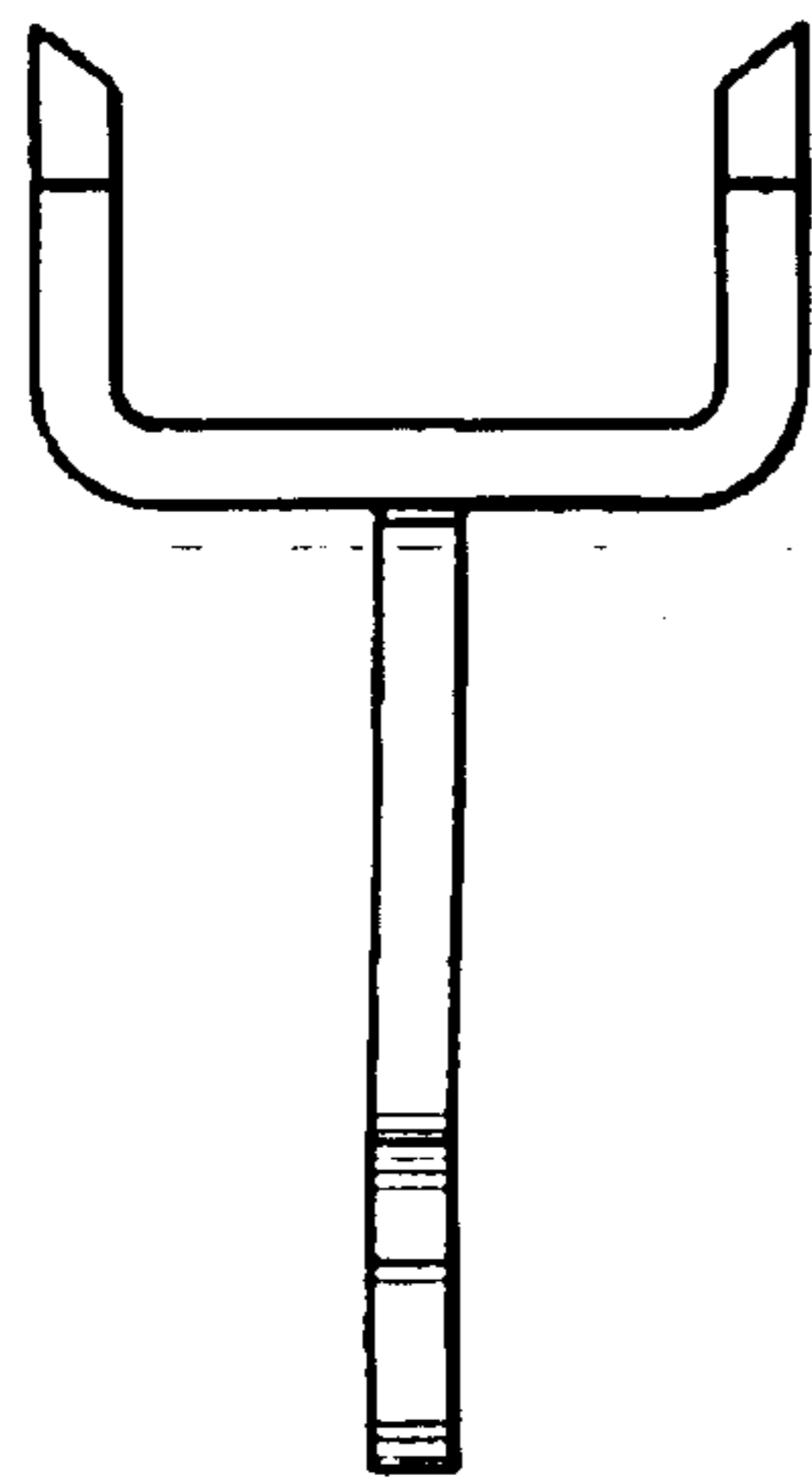


Fig. 6

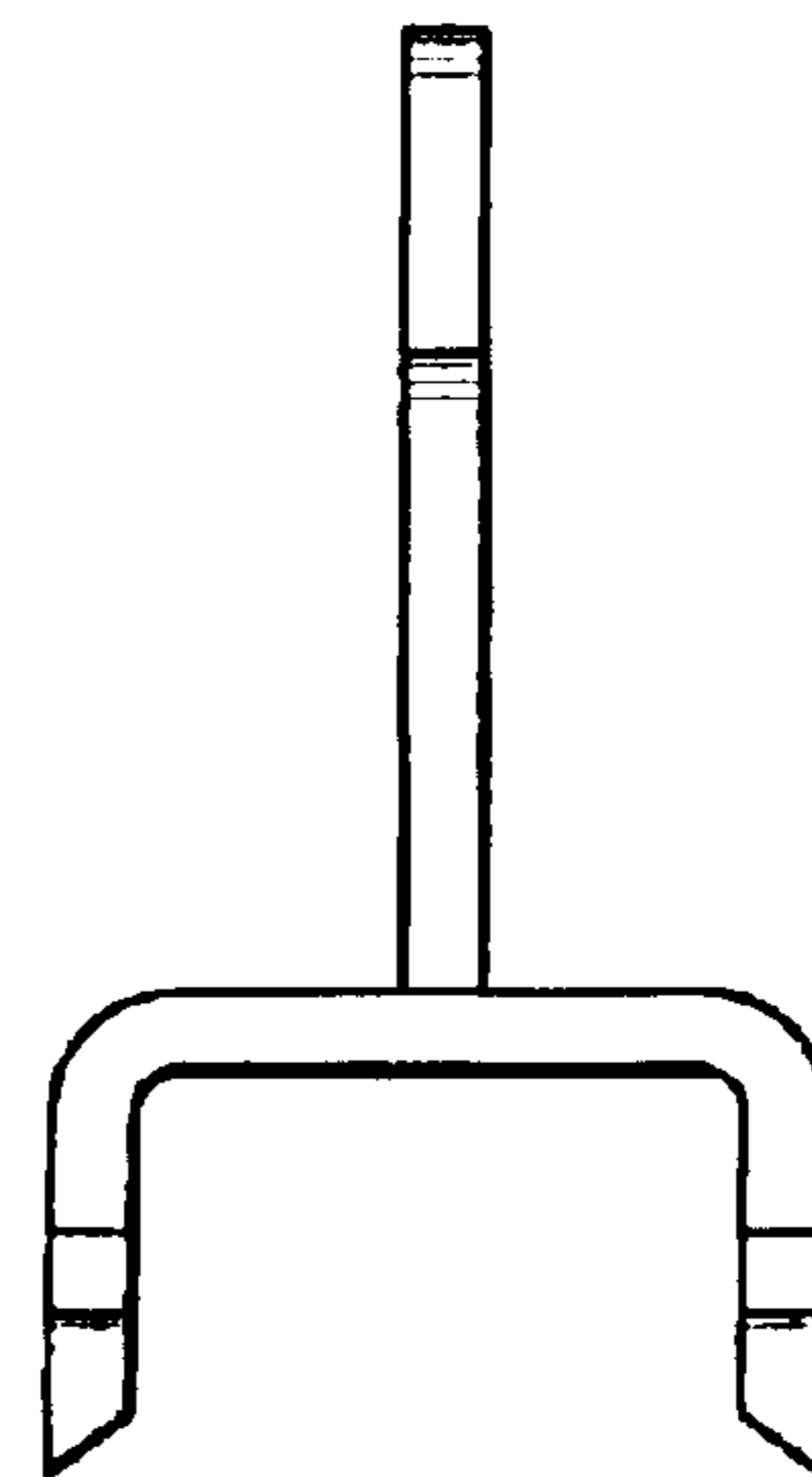


Fig. 7