

US00D495583S1

(12) **United States Design Patent**
Senn

(10) **Patent No.:** **US D495,583 S**

(45) **Date of Patent:** **** Sep. 7, 2004**

(54) **BOLT ON KEEPER**

(75) **Inventor:** **Brian A. Senn**, South Milwaukee, WI
(US)

(73) **Assignee:** **Powerbrace Corporation**, Kenosha,
WI (US)

(**) **Term:** **14 Years**

(21) **Appl. No.:** **29/193,190**

(22) **Filed:** **Nov. 6, 2003**

(51) **LOC (7) Cl.** **08-07**

(52) **U.S. Cl.** **D8/344; D8/343**

(58) **Field of Search** D8/330, 331, 343,
D8/344, 339; 70/8, 9, 10, 11, 110, 102,
131, 136, 142, DIG. 6, 229-232; 292/2,
340, 346

(56) **References Cited**

U.S. PATENT DOCUMENTS

622,613 A	*	4/1899	Feldmann	70/10
D228,170 S	*	8/1973	Morris	D8/344
D247,546 S	*	3/1978	Shaw et al.	D8/344
4,437,692 A	*	3/1984	Halopoff	292/57

D294,452 S	*	3/1988	Bakula	D8/330
4,911,486 A	*	3/1990	Anderson	292/148
5,307,653 A	*	5/1994	Davis	70/56
D351,987 S	*	11/1994	Lee	D8/343
D402,602 S	*	12/1998	Niswanger	D12/162
6,009,731 A	*	1/2000	Emmons et al.	70/56

* cited by examiner

Primary Examiner—Prabhakar Deshmukh

(74) *Attorney, Agent, or Firm*—John A. Scherli

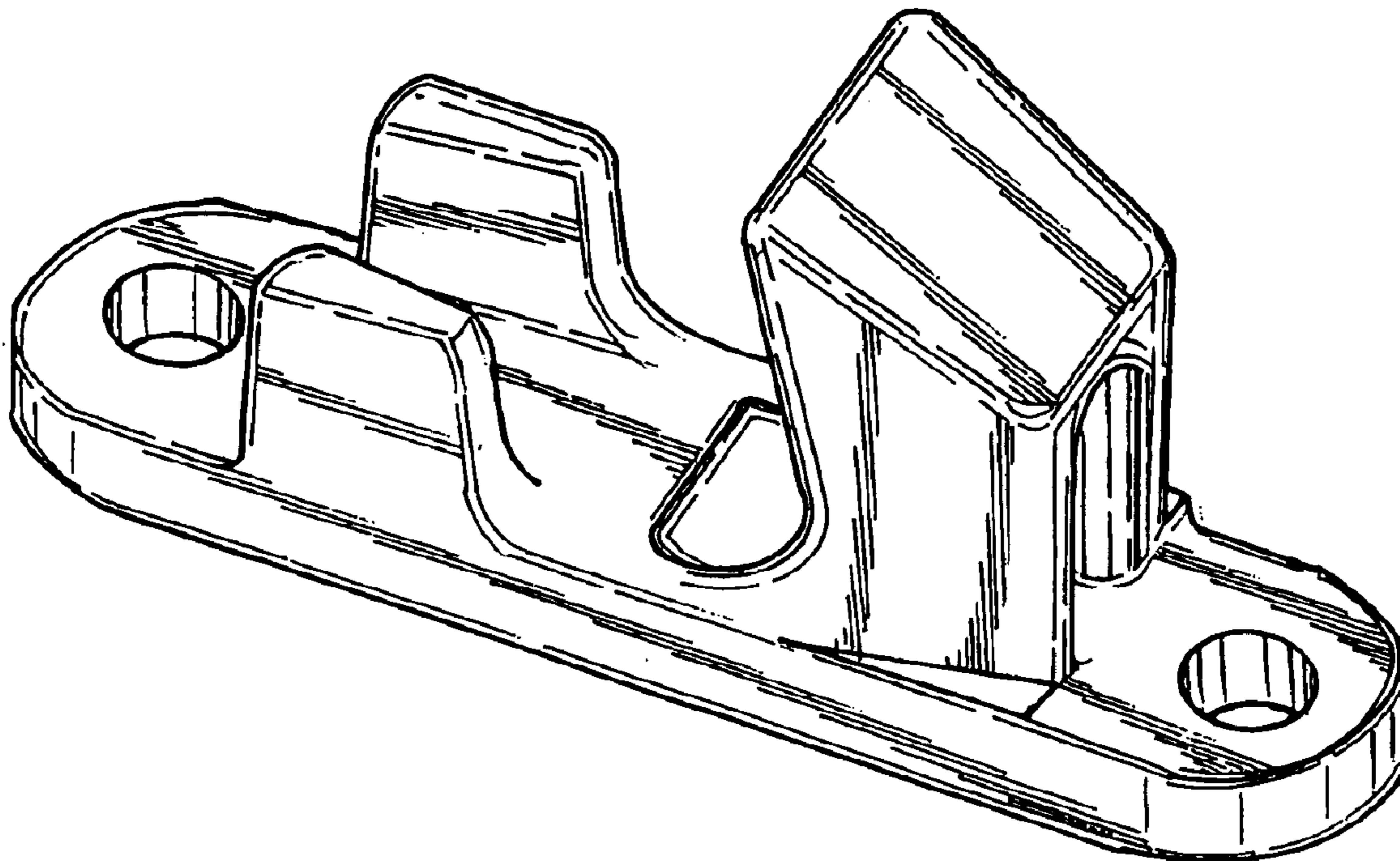
(57) **CLAIM**

The ornamental design for a bolt on keeper, as shown and described.

DESCRIPTION

FIG. 1 is a front, right side perspective view of a bolt on keeper showing my new design; FIG. 2 is a right end view thereof; FIG. 3 is a left end view thereof; FIG. 4 is a top plan view thereof; FIG. 5 is a bottom plan view thereof; FIG. 6 is a rear side elevational view thereof; and, FIG. 7 is a front elevational view thereof.

1 Claim, 2 Drawing Sheets



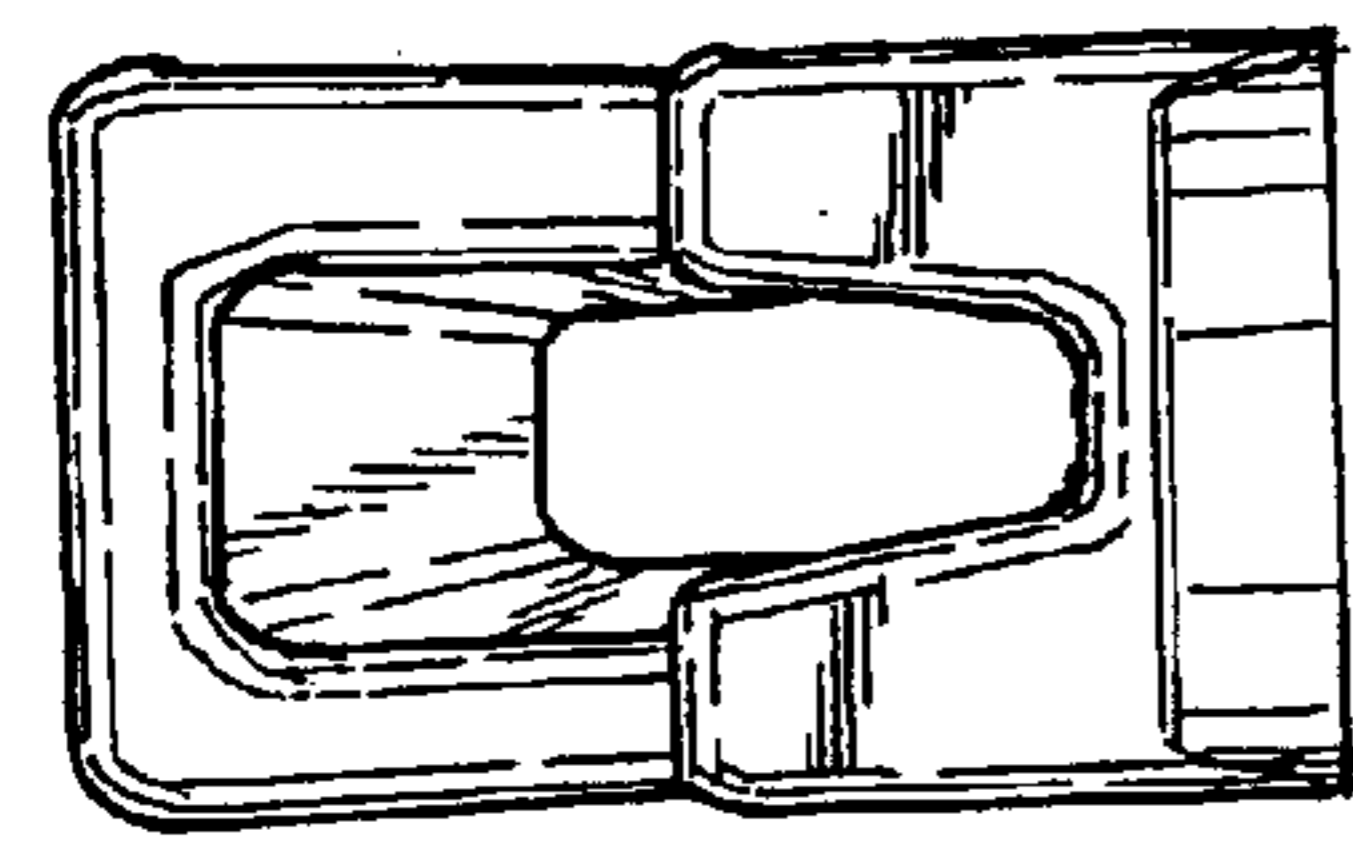


Fig. 3

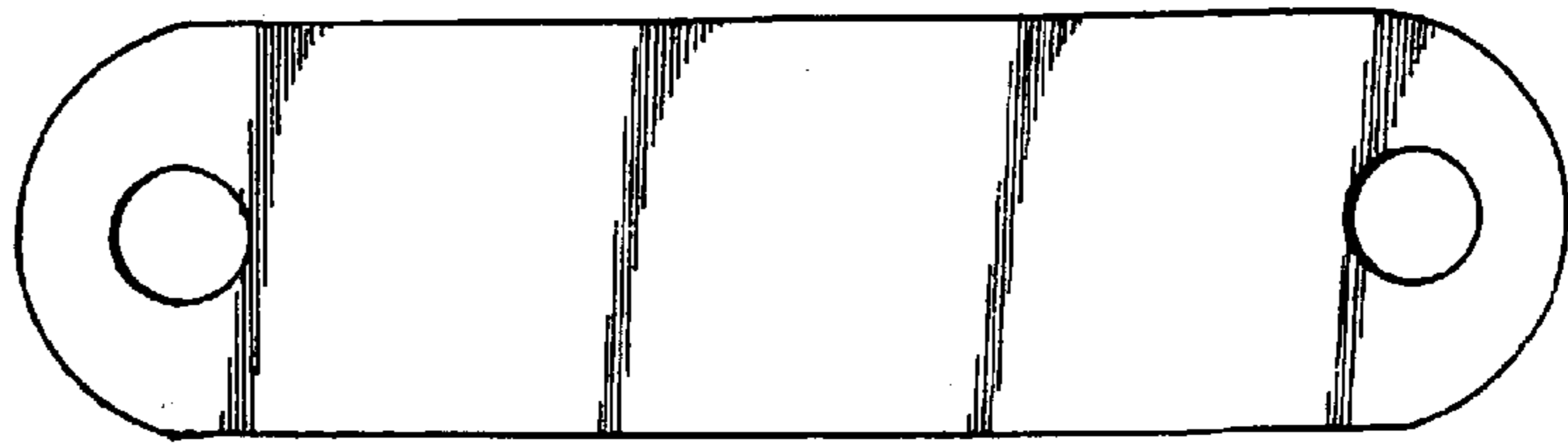


Fig. 5

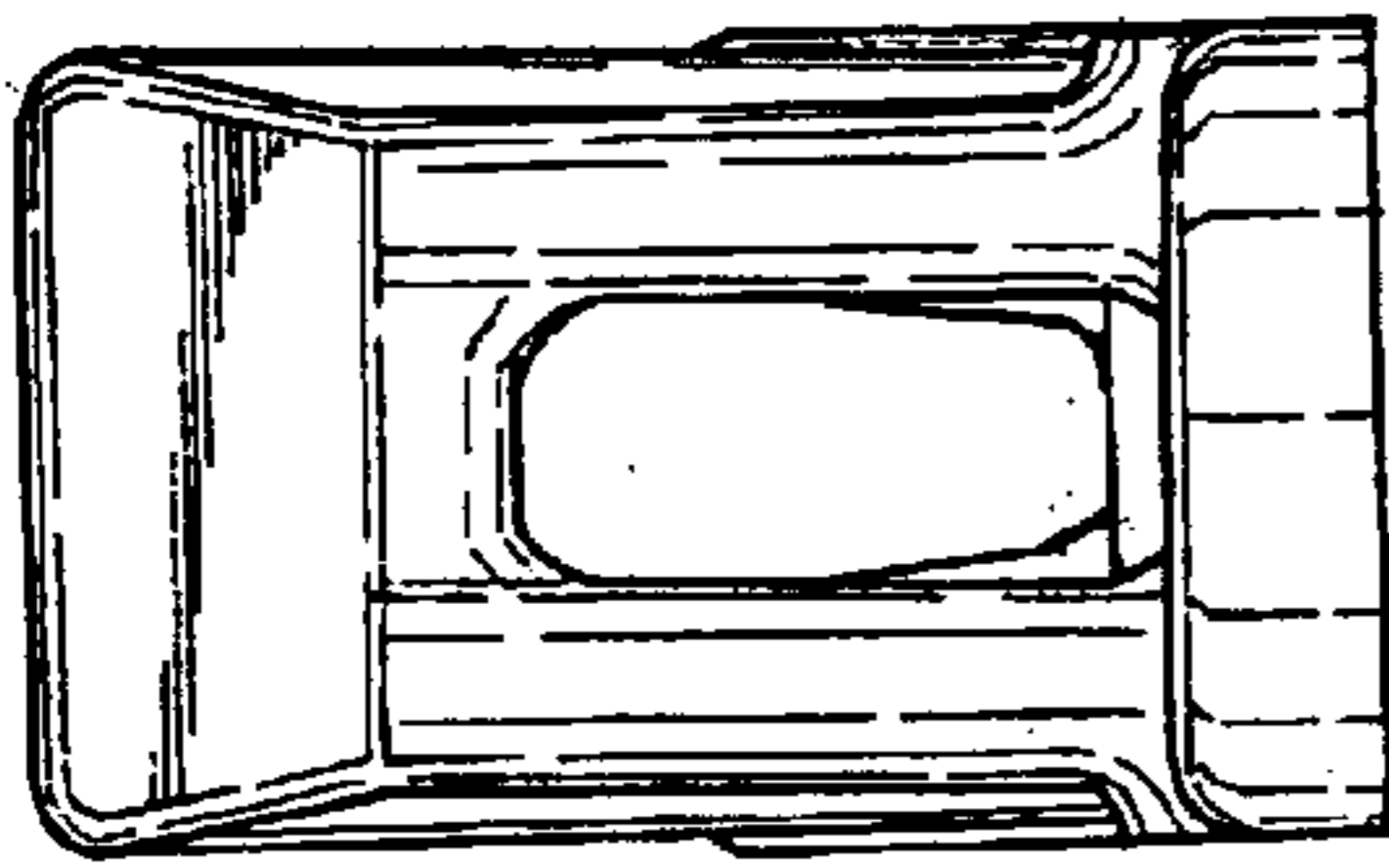


Fig. 2

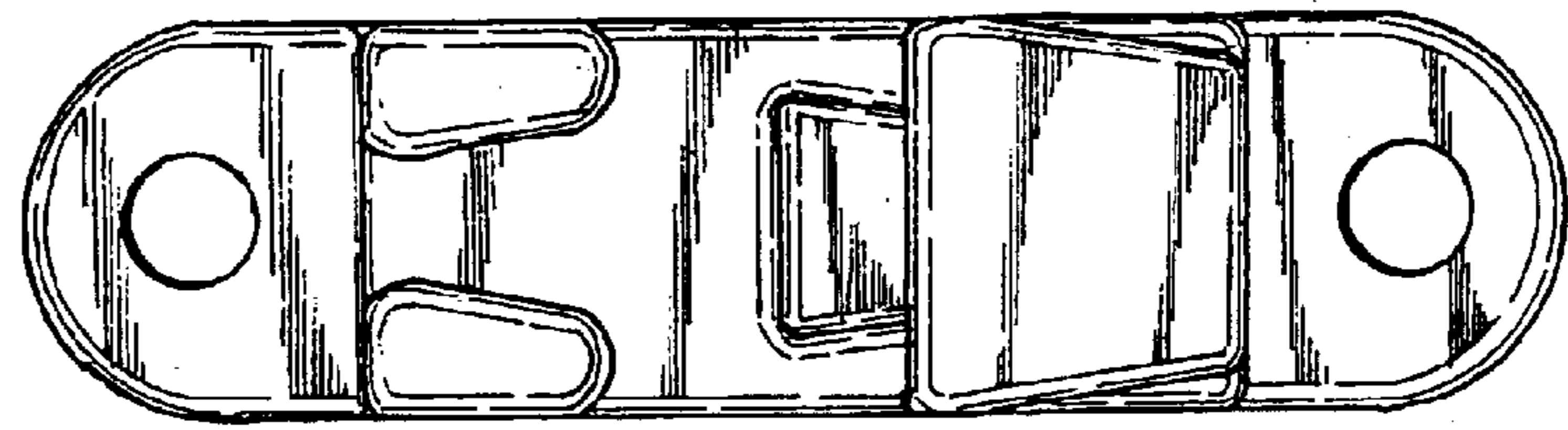


Fig. 4

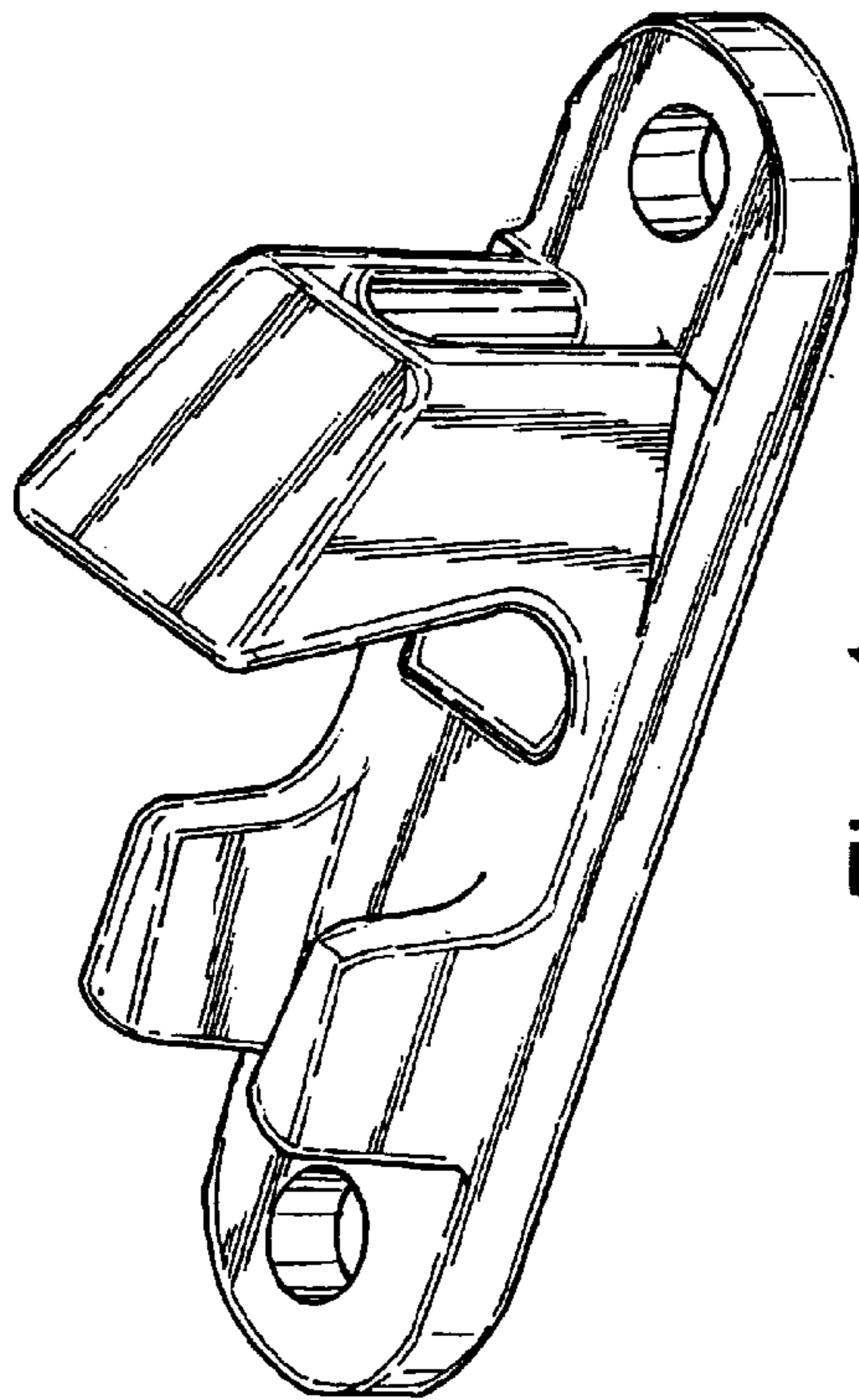


Fig. 1

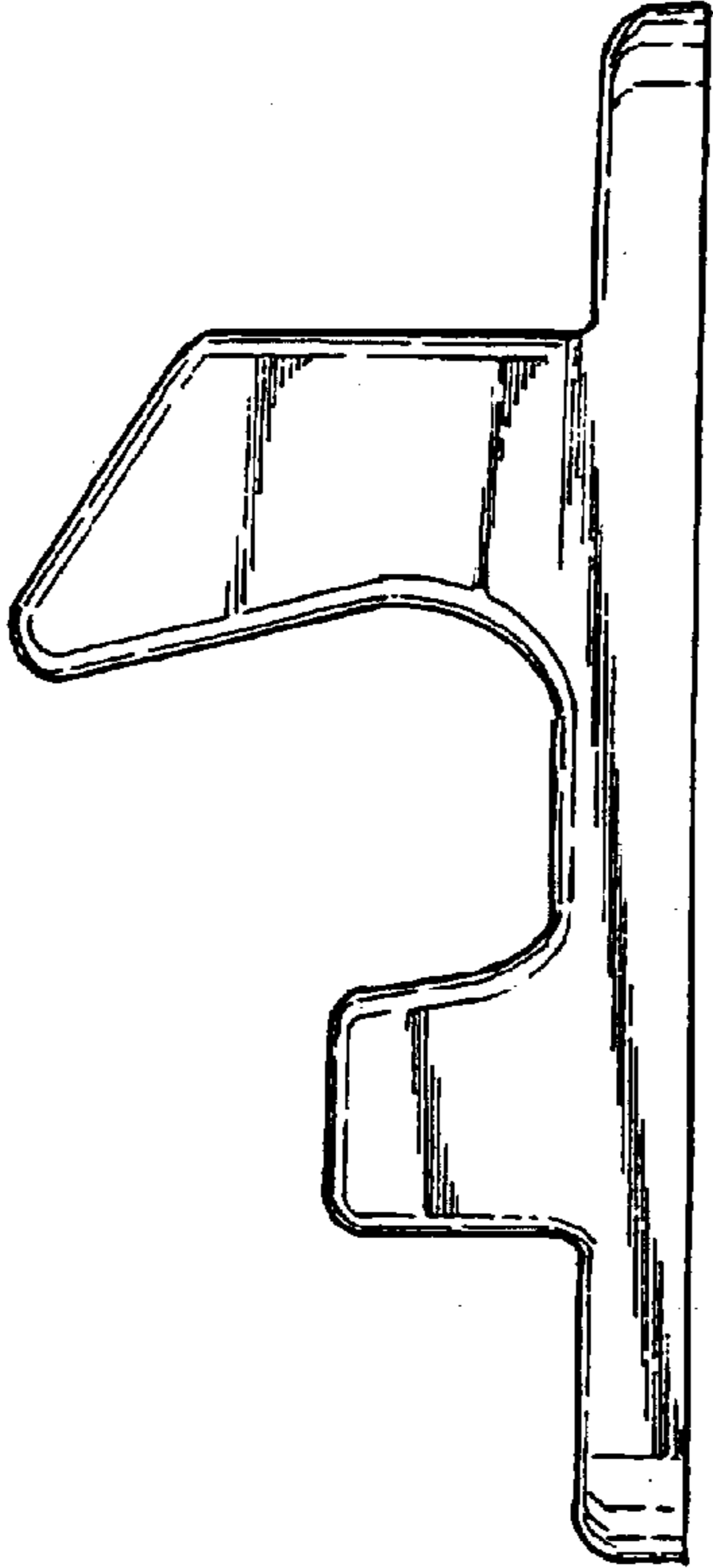


Fig. 6

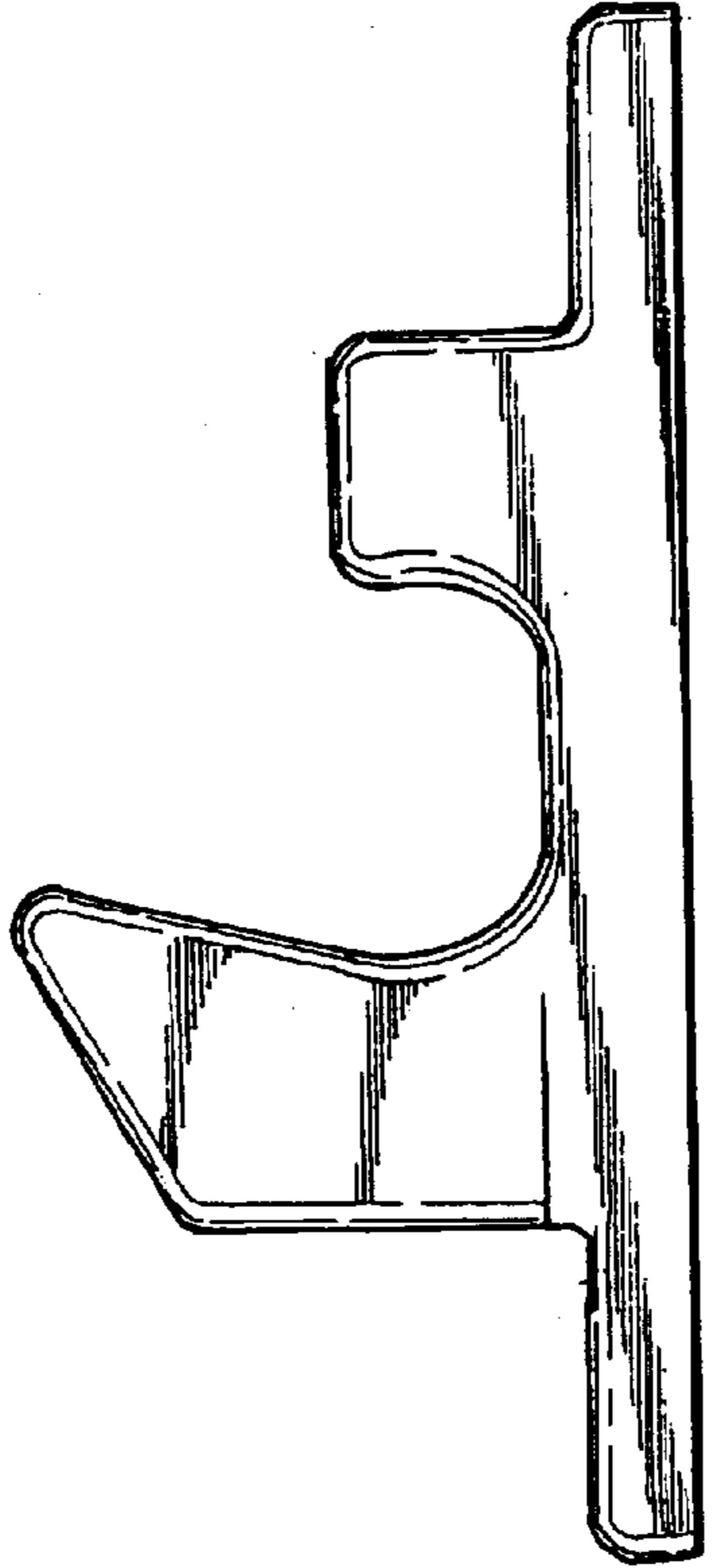


Fig. 7