

US00D495581S1

(12) **United States Design Patent** (10) **Patent No.:** **US D495,581 S**  
**Ho** (45) **Date of Patent:** **\*\* Sep. 7, 2004**

(54) **COMBINED LOCK WITH STORAGE DEVICE**

(75) Inventor: **Yat Hung Ho**, New Territories (CN)

(73) Assignee: **Alloy Metal Manufactory Ltd.**, New Territories (CN)

(\*\*) Term: **14 Years**

(21) Appl. No.: **29/193,757**

(22) Filed: **Nov. 13, 2003**

(51) **LOC (7) Cl.** ..... **08-07**

(52) **U.S. Cl.** ..... **D8/334**

(58) **Field of Search** ..... D8/330, 331, 334;  
70/14, 20, 22, 24, 53, 58, 233

(56) **References Cited**

**U.S. PATENT DOCUMENTS**

972,171	A	*	10/1910	Dupont	.....	70/21
3,720,082	A	*	3/1973	Feinberg et al.	.....	70/25
4,444,029	A	*	4/1984	Remington	.....	70/25
4,829,794	A	*	5/1989	Crown	.....	70/25
5,715,709	A	*	2/1998	Lai	.....	70/25
6,035,672	A	*	3/2000	Lai	.....	70/25
D439,825	S	*	4/2001	Lai	.....	D8/334
D451,002	S	*	11/2001	Lai	.....	D8/334
D453,467	S	*	2/2002	Nakamura	.....	D8/334
D477,209	S	*	7/2003	Yu et al.	.....	D8/334

\* cited by examiner

*Primary Examiner*—Prabhakar Deshmukh  
(74) *Attorney, Agent, or Firm*—Alix, Yale & Ristas, LLP

(57) **CLAIM**

The ornamental design for combined lock with storage device, as shown and described.

**DESCRIPTION**

FIG. 1 is a front perspective view of the combined lock with storage device showing my new design;

FIG. 2 is a front perspective view of the combined lock with storage device of FIG. 1 with the storage device in an opened position;

FIG. 3 is a front view of the combined lock with storage device of FIG. 1;

FIG. 4 is a left side view of the combined lock with storage device of FIG. 1;

FIG. 5 is a top plan view of the combined lock with storage device of FIG. 1;

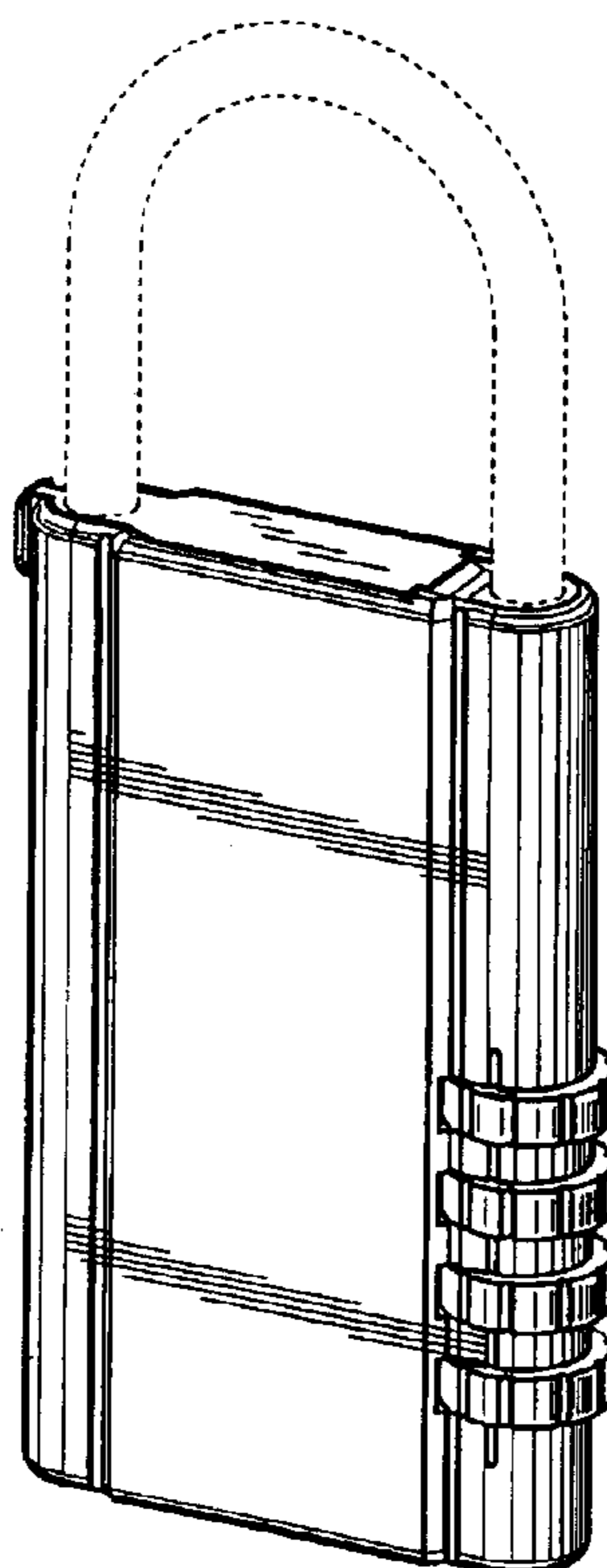
FIG. 6 is a rear view of the combined lock with storage device of FIG. 1;

FIG. 7 is a right side view of the combined lock with storage device of FIG. 1; and,

FIG. 8 is a bottom plan view of the combined lock with storage device of FIG. 1.

The broken lines are for illustrative purpose only and form no part of the claimed design.

**1 Claim, 4 Drawing Sheets**



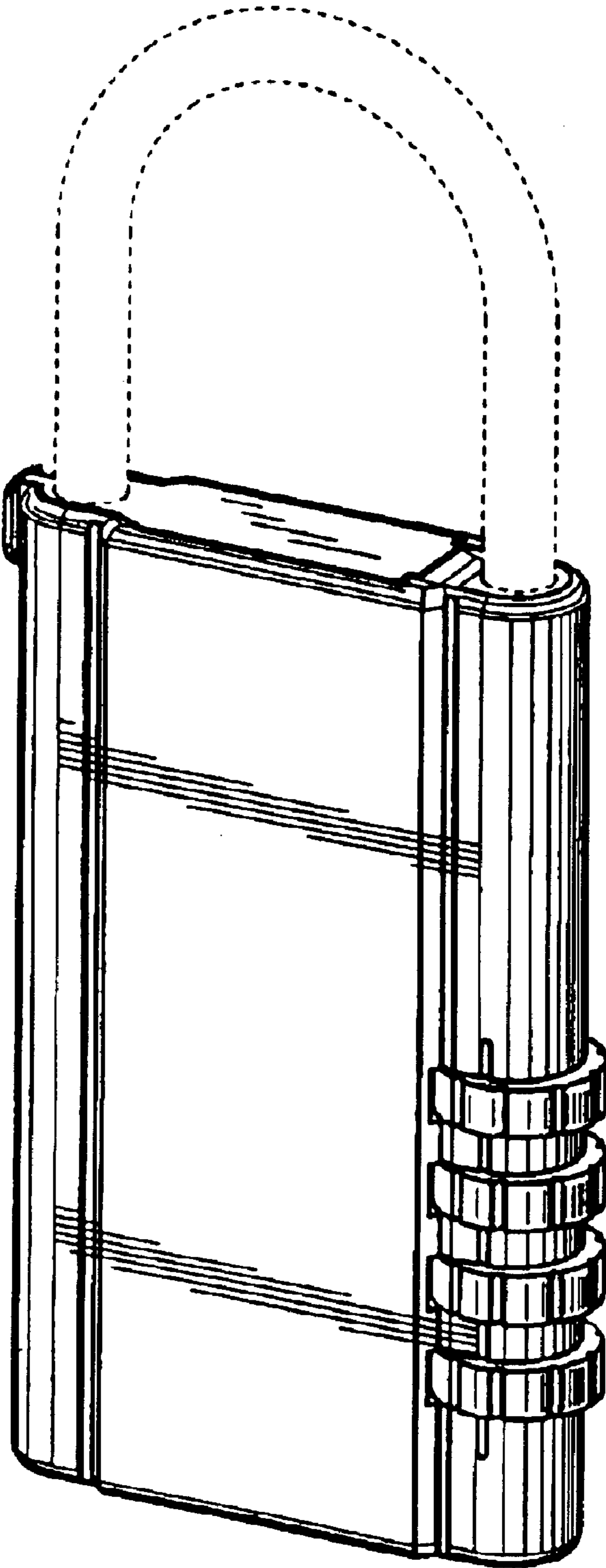


FIG. 1

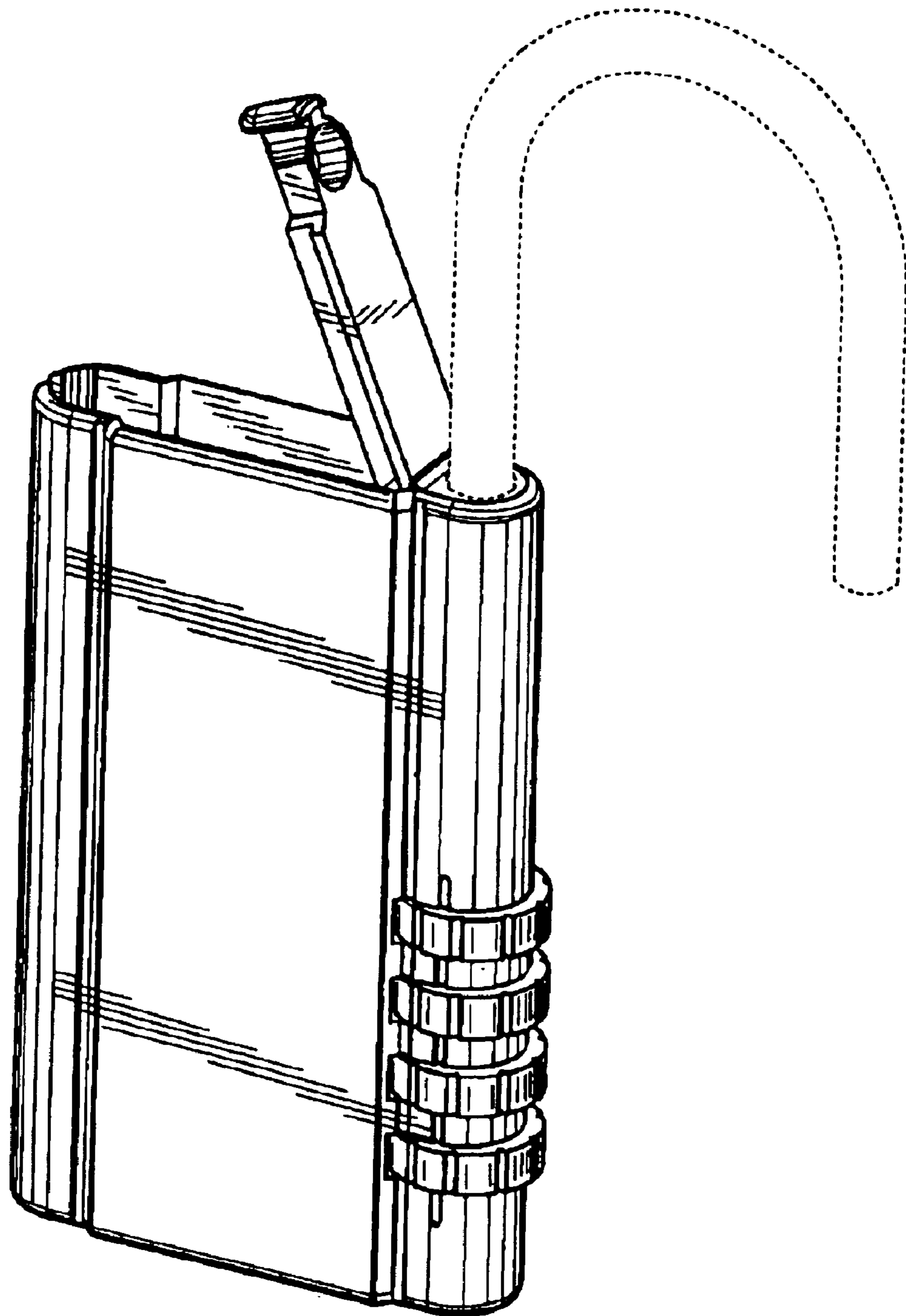


FIG.2

FIG. 5

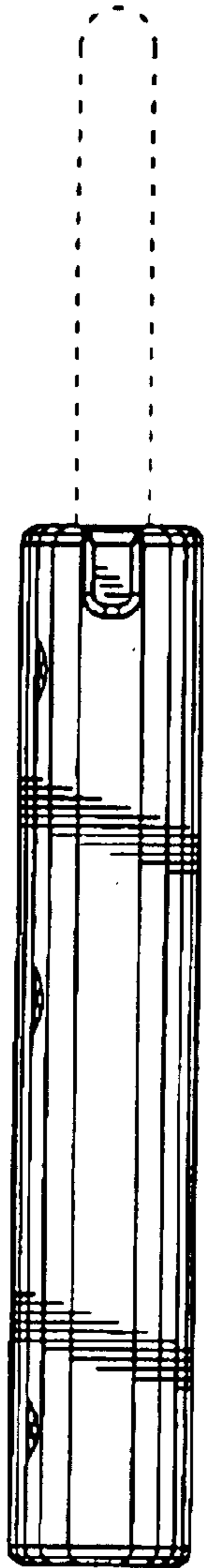
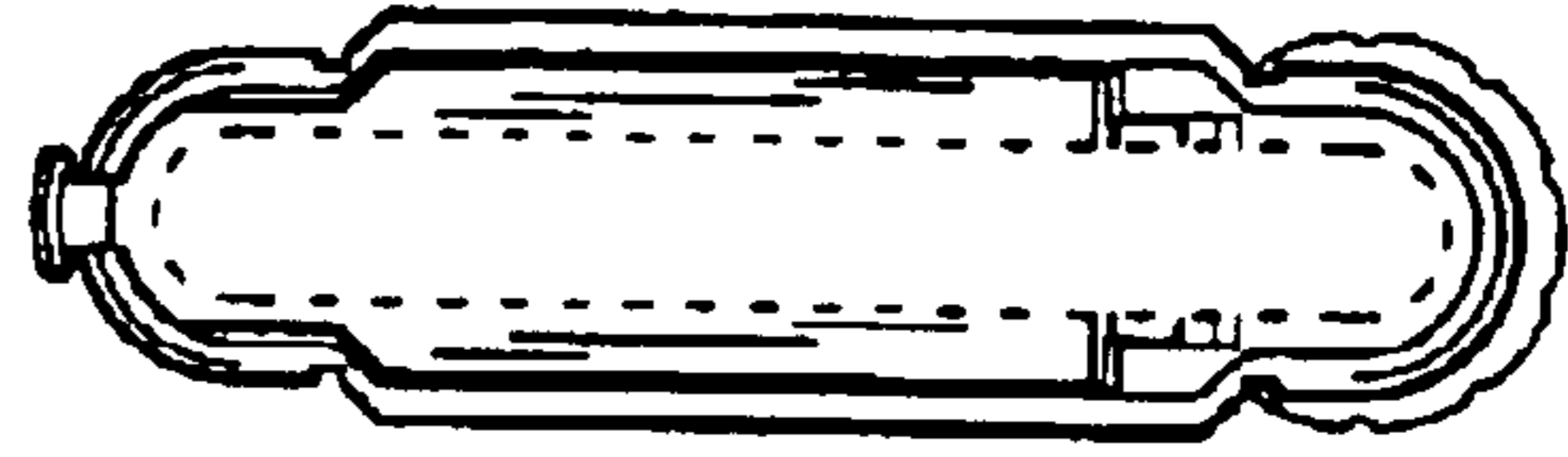


FIG. 4

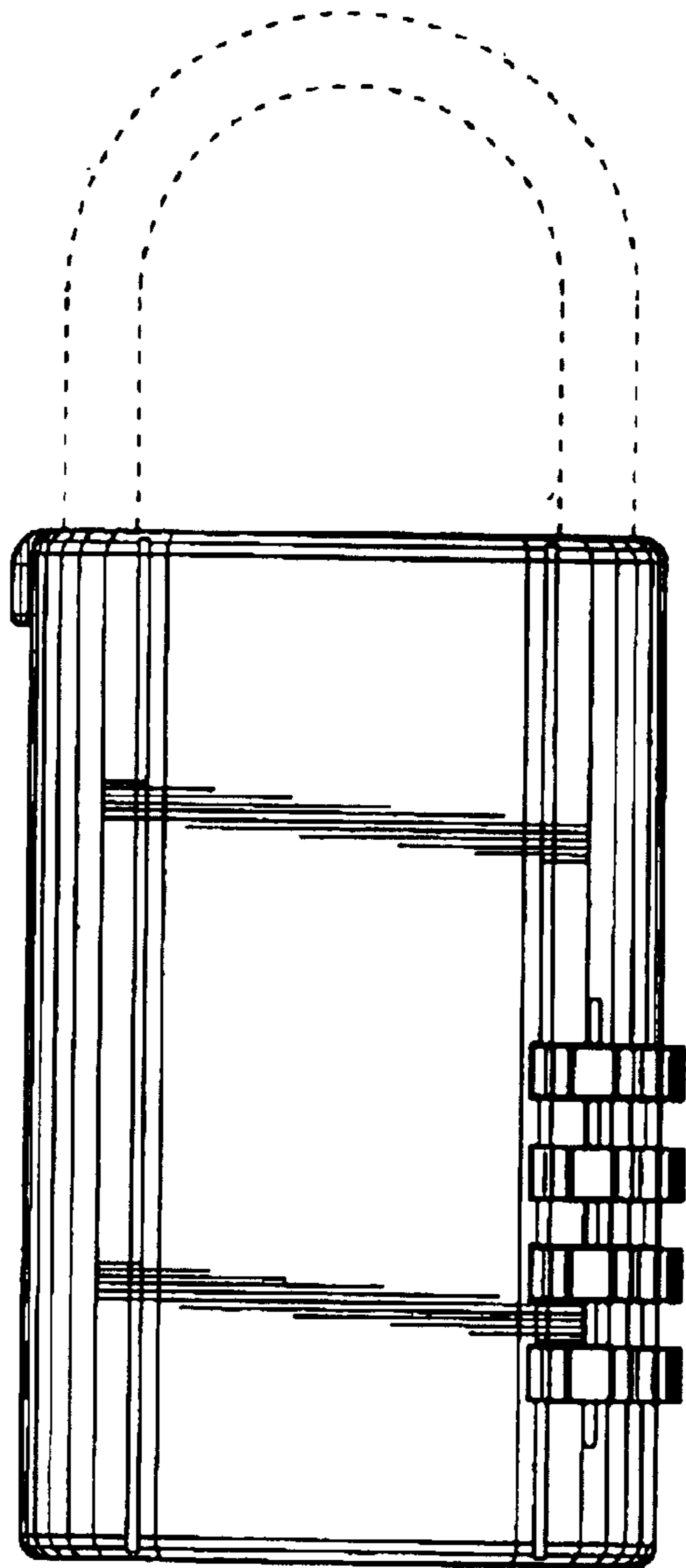


FIG. 3

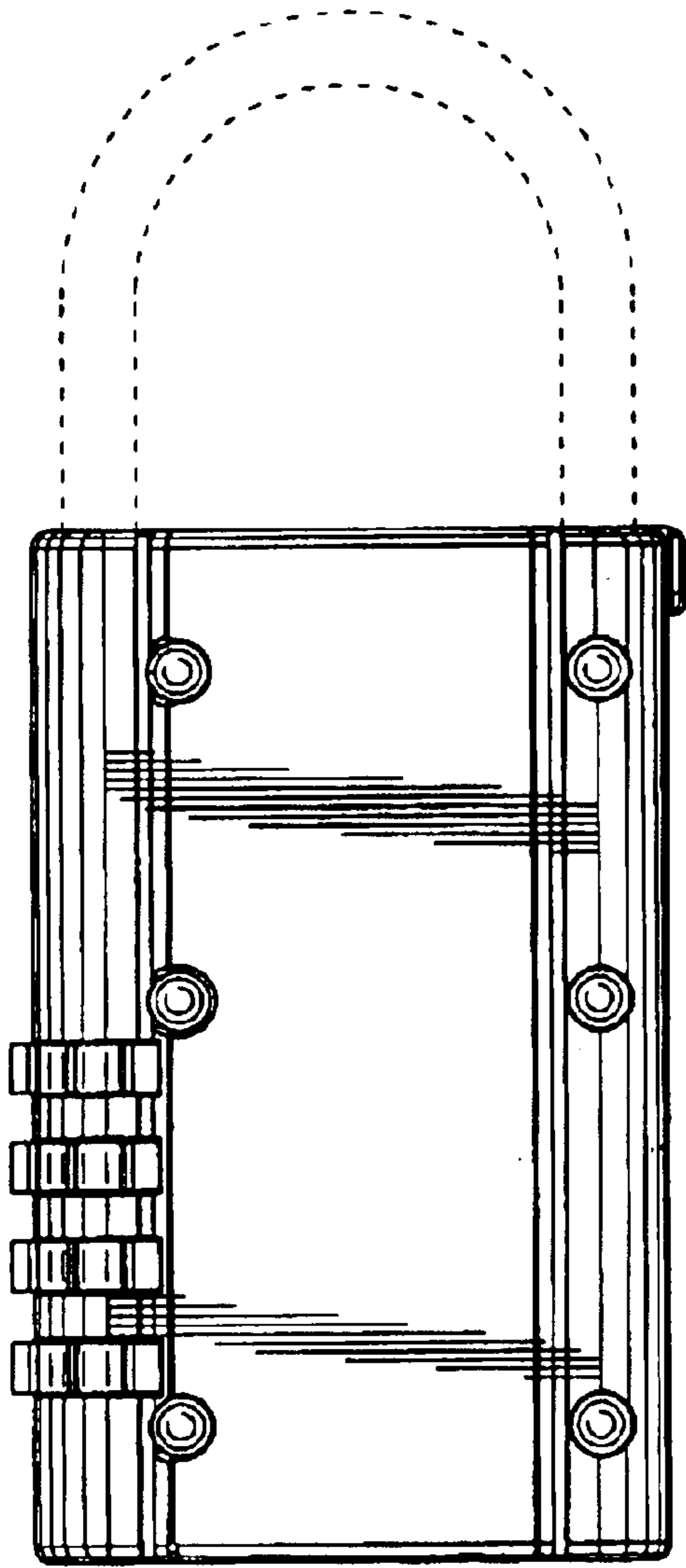


FIG. 6

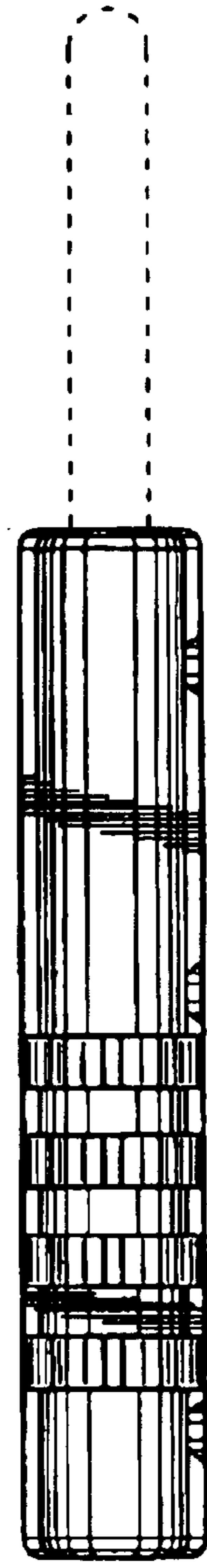


FIG. 7

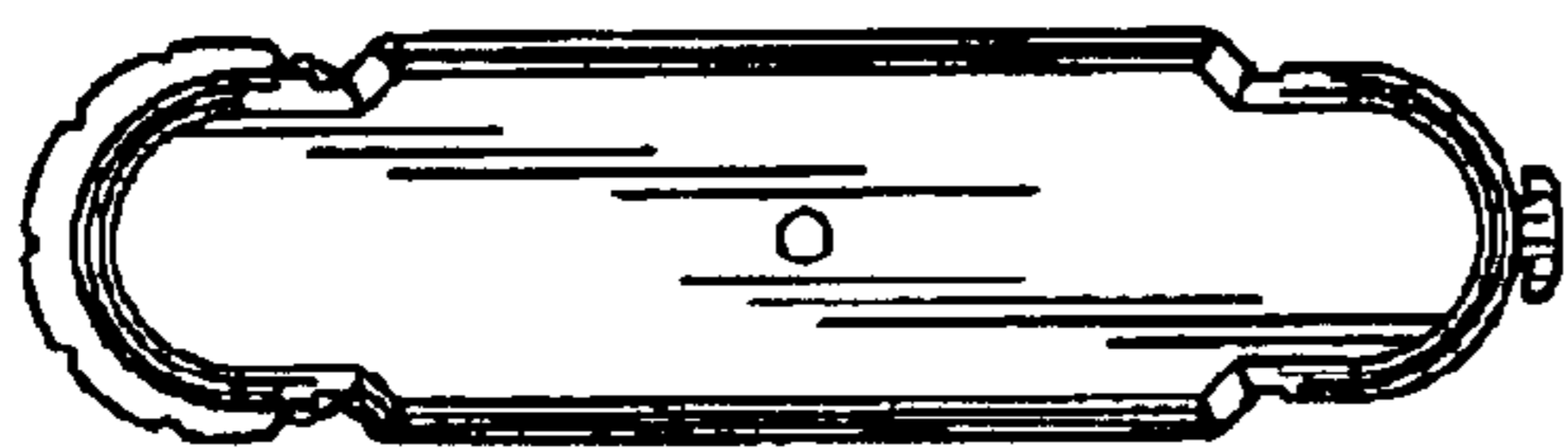


FIG. 8