



US00D495579S1

(12) **United States Design Patent**  
**Yu**

(10) **Patent No.: US D495,579 S**  
(45) **Date of Patent: \*\* Sep. 7, 2004**

(54) **COMPUTER LOCK**

(76) **Inventor: Chun Te Yu**, No. 41-21, kuan-Tsul St.,  
Hsia-Nian Tsun, Fu-Hsing Hsiang,  
Changhua County (TW)

(\*\*) **Term: 14 Years**

(21) **Appl. No.: 29/189,870**

(22) **Filed: Sep. 12, 2003**

(30) **Foreign Application Priority Data**

Jul. 21, 2003 (TW) ..... 92304441

(51) **LOC (7) Cl. .... 08-07**

(52) **U.S. Cl. .... D8/331; D8/330**

(58) **Field of Search** ..... D8/330, 331, 343,  
D8/334, 332; 70/14, 57, 57.1, 58, 158,  
163, 174, 180, 266, 431, 448

(56) **References Cited**

**U.S. PATENT DOCUMENTS**

D289,730 S	*	5/1987	Hsieh	.....	D8/330
5,327,752 A	*	7/1994	Myers et al.	.....	70/58
D370,621 S	*	6/1996	Themistos et al.	.....	D8/343
D404,635 S	*	1/1999	Yang	.....	D8/331
6,389,854 B1	*	5/2002	Huang	.....	70/58
6,401,502 B1	*	6/2002	Yang	.....	70/30
6,463,770 B1	*	10/2002	Lee	.....	70/58

D471,785 S	*	3/2003	Yu	.....	D8/331
D472,789 S	*	4/2003	Ling	.....	D8/331
6,622,532 B2	*	9/2003	Hsu	.....	70/14
D482,951 S	*	12/2003	Ling	.....	D8/331

\* cited by examiner

*Primary Examiner*—Prabhakar Deshmukh  
(74) *Attorney, Agent, or Firm*—Troxell Law Office PLLC

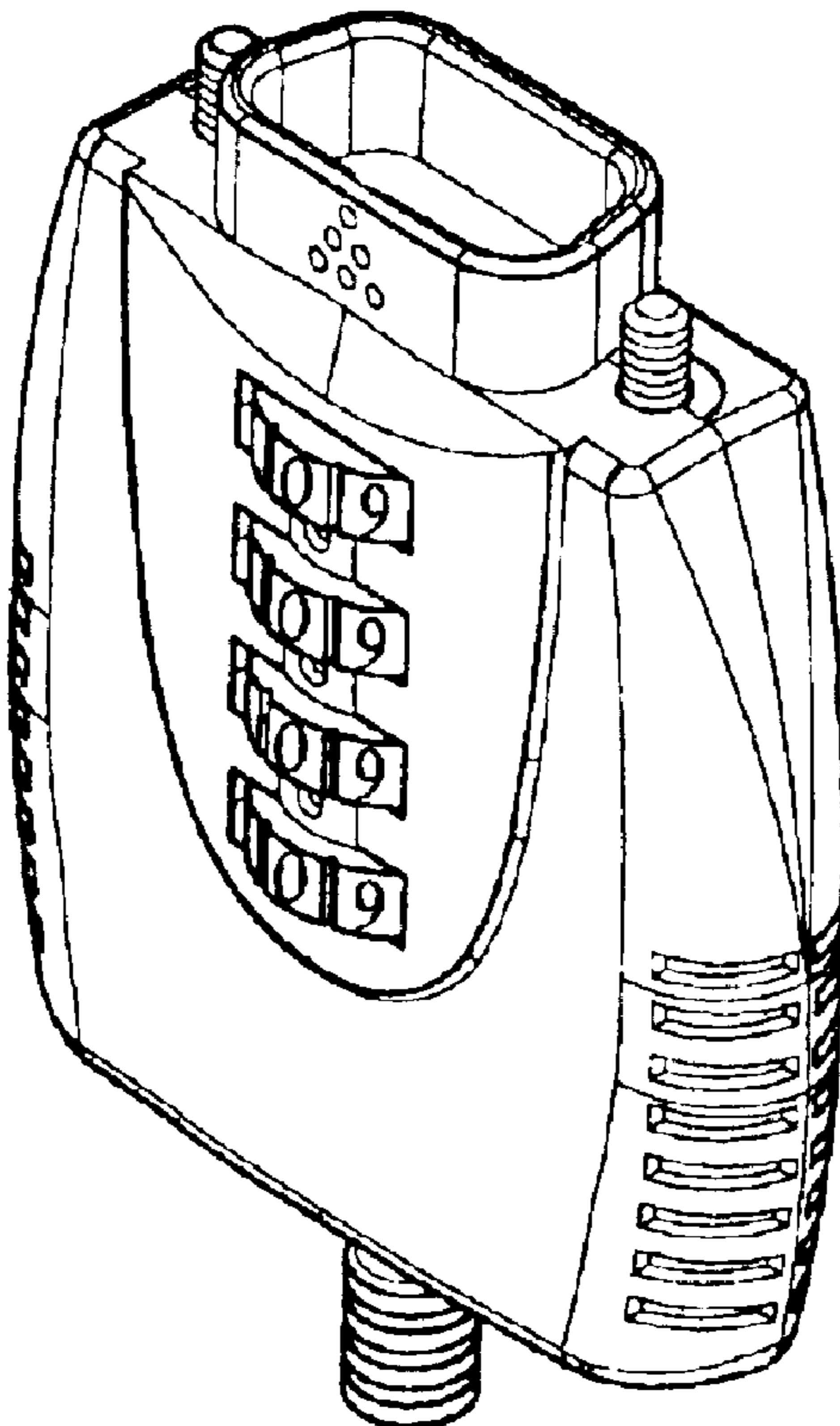
(57) **CLAIM**

The ornamental design for computer lock, shown and described.

**DESCRIPTION**

FIG. 1 is a front side perspective view showing our new design for computer lock;  
 FIG. 2 is a front elevational view thereof;  
 FIG. 3 is a rear elevational view thereof;  
 FIG. 4 is a left side elevational view thereof;  
 FIG. 5 is a right side elevational view thereof;  
 FIG. 6 is a top view thereof;  
 FIG. 7 is a bottom view thereof.  
 FIG. 8 is a reduced scale perspective view thereof, shown in its environmental use; and,  
 FIG. 9 is a perspective view thereof, with bolt regulating buttons shown in an extended position.  
 The broken lines in FIGS. 8 and 9 are for illustrative purpose only and form no part of the claimed design.

**1 Claim, 6 Drawing Sheets**



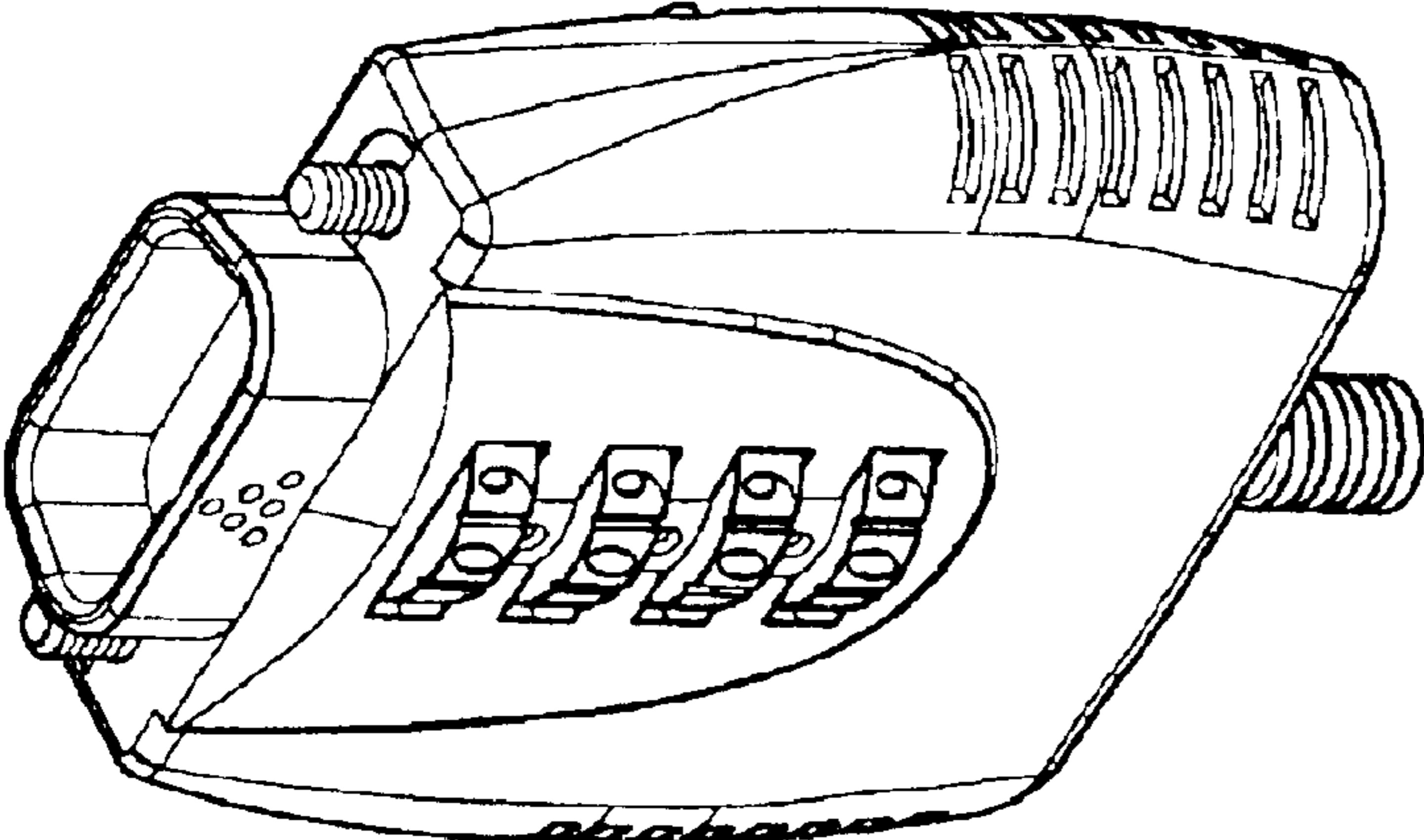


Fig. 1

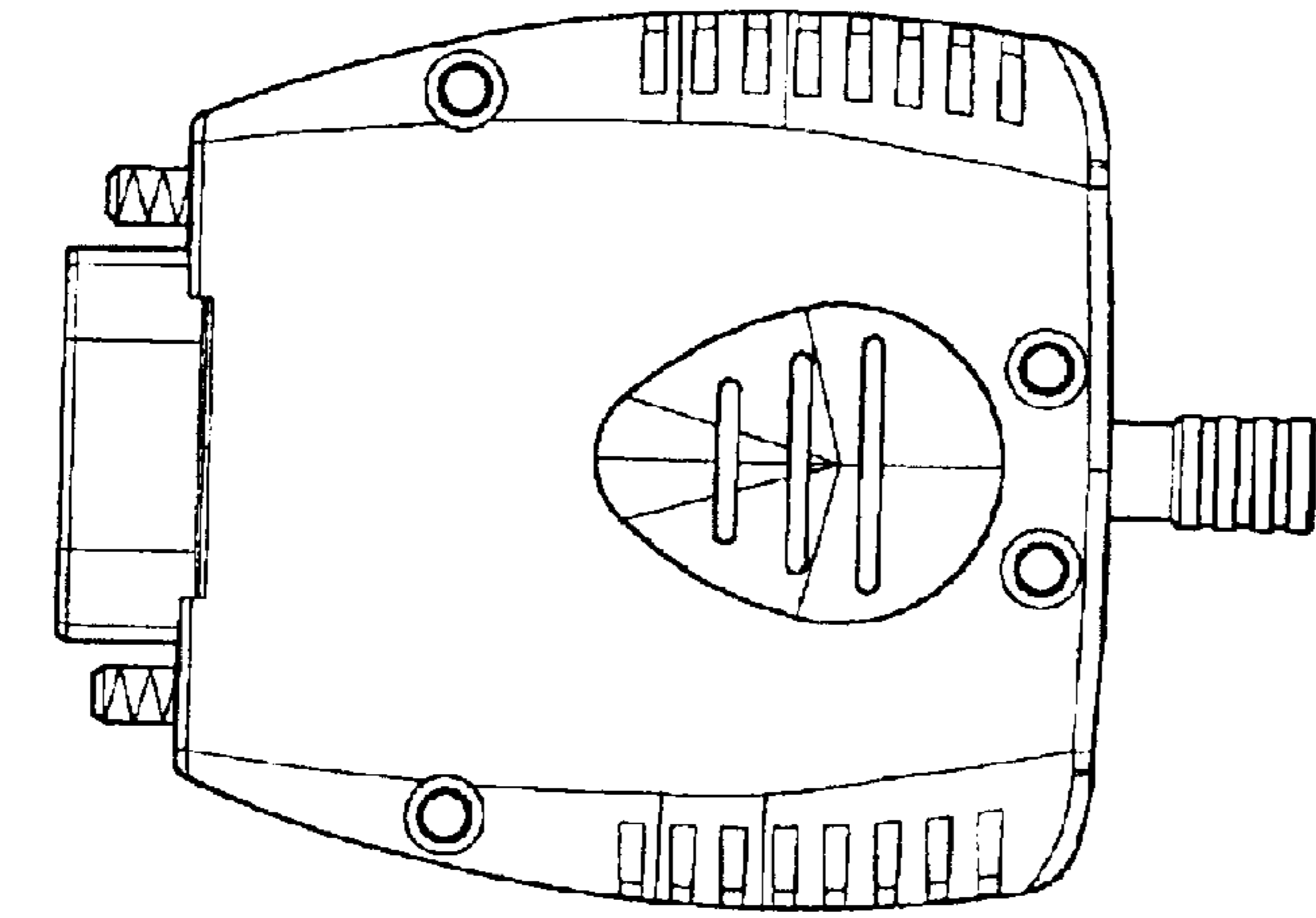


Fig. 2

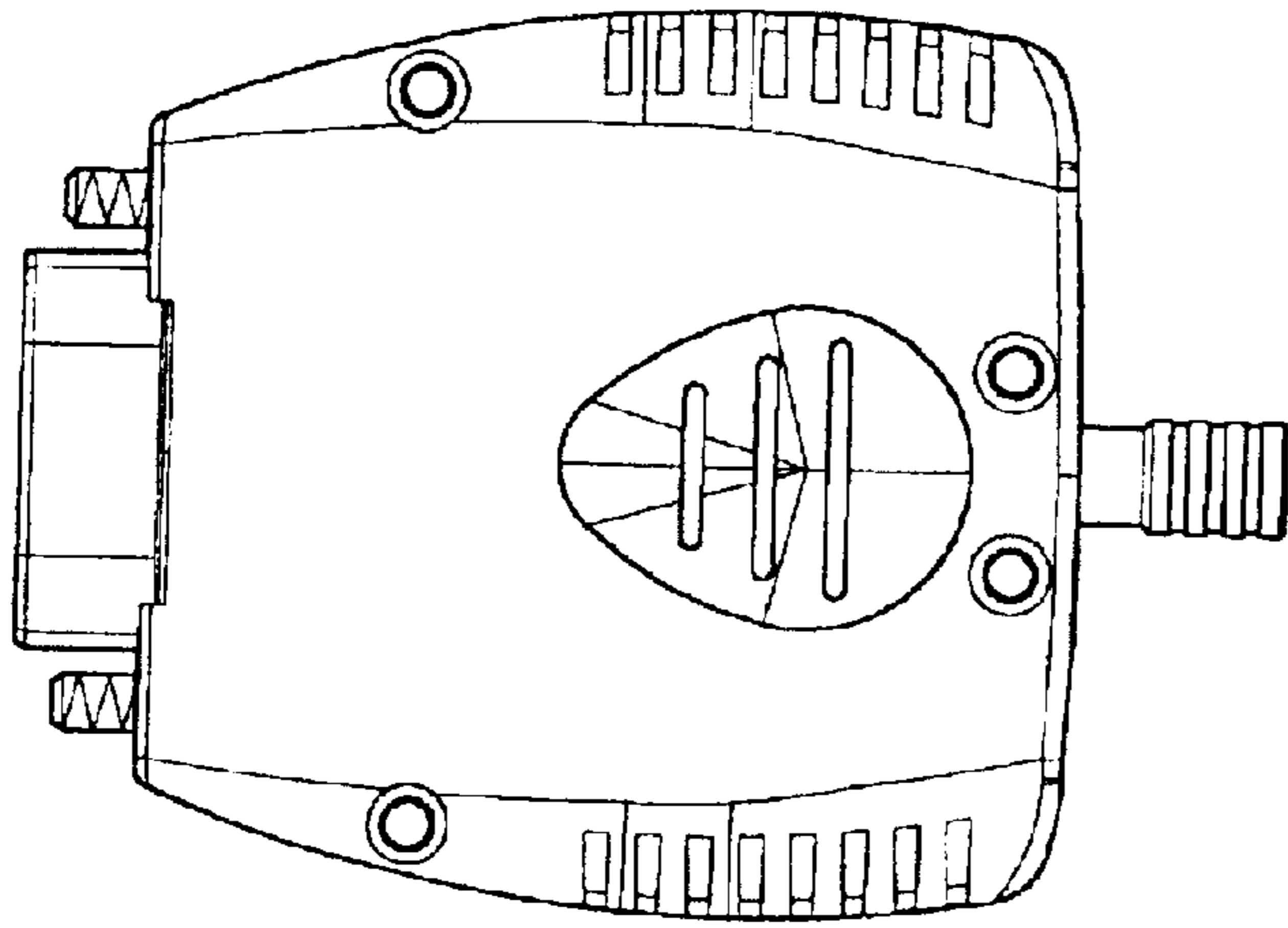


Fig. 3

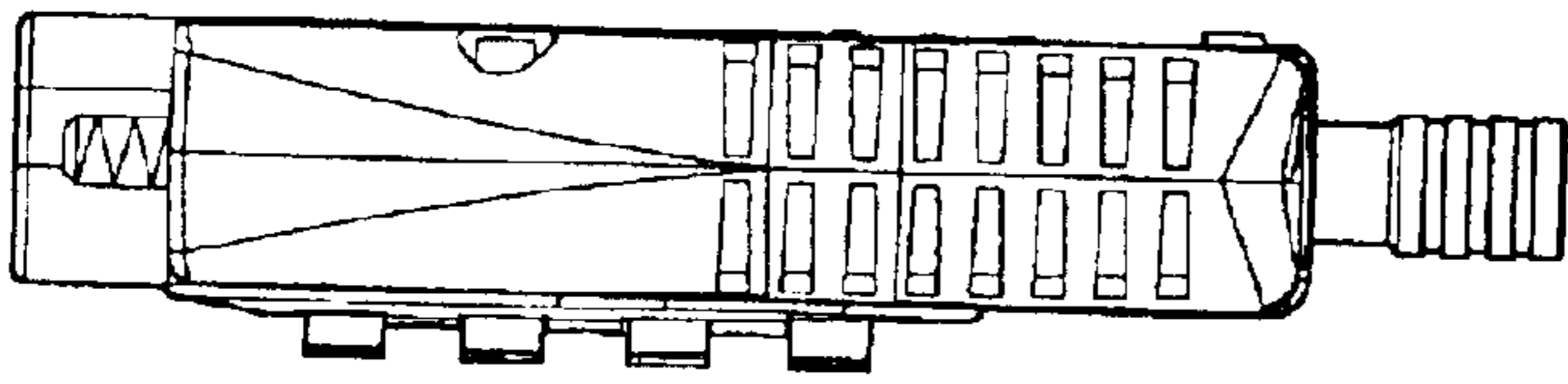


Fig. 5

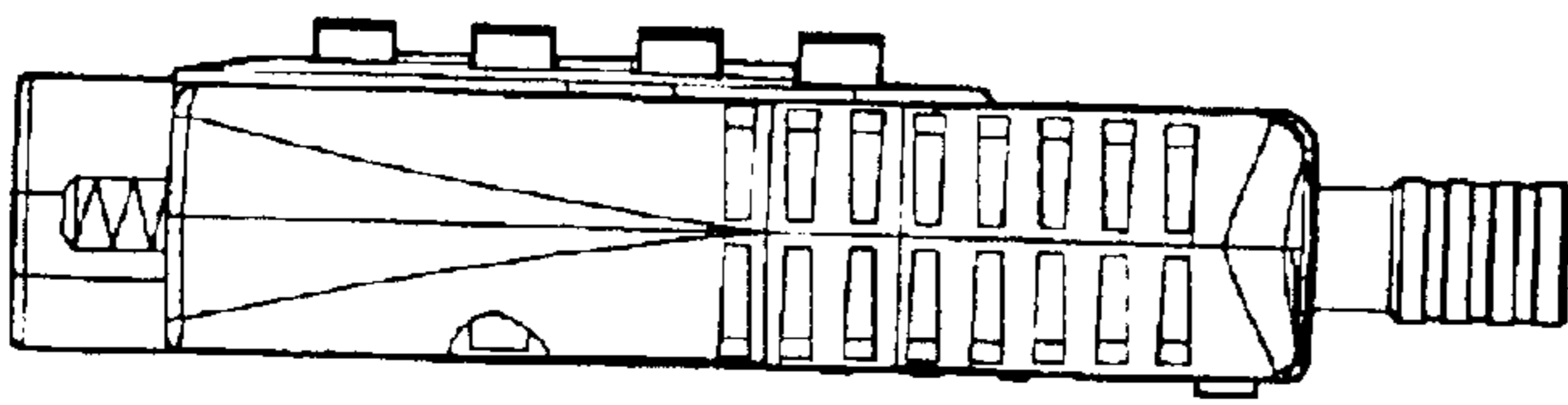


Fig. 4

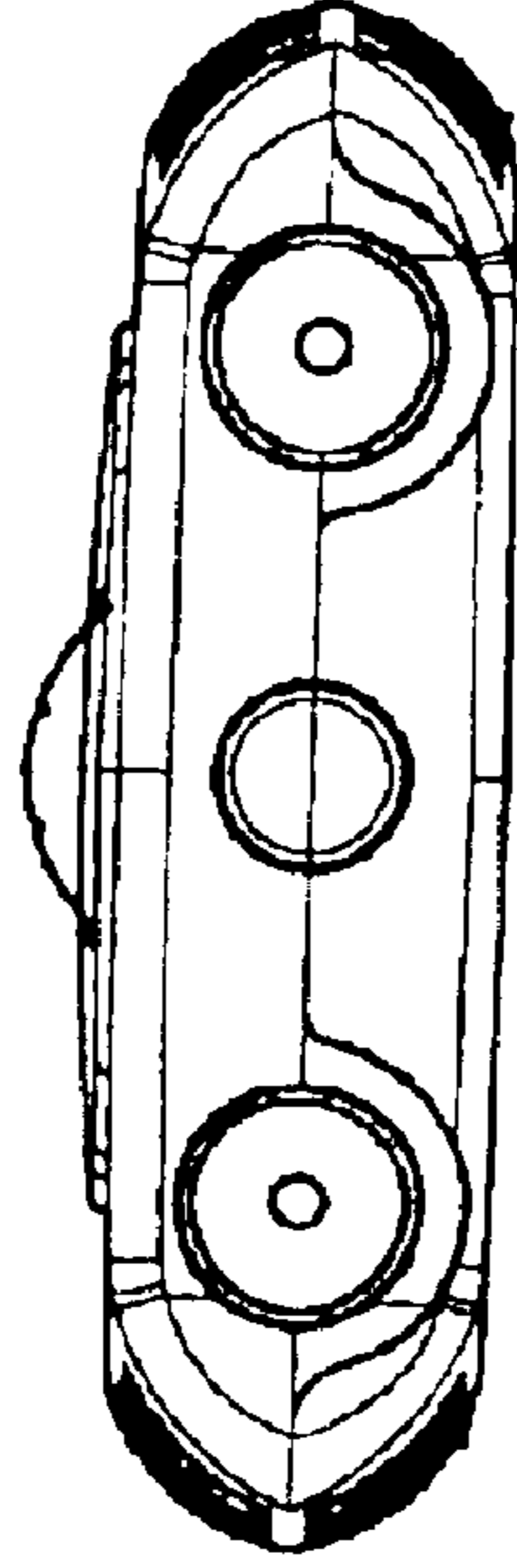


Fig. 6

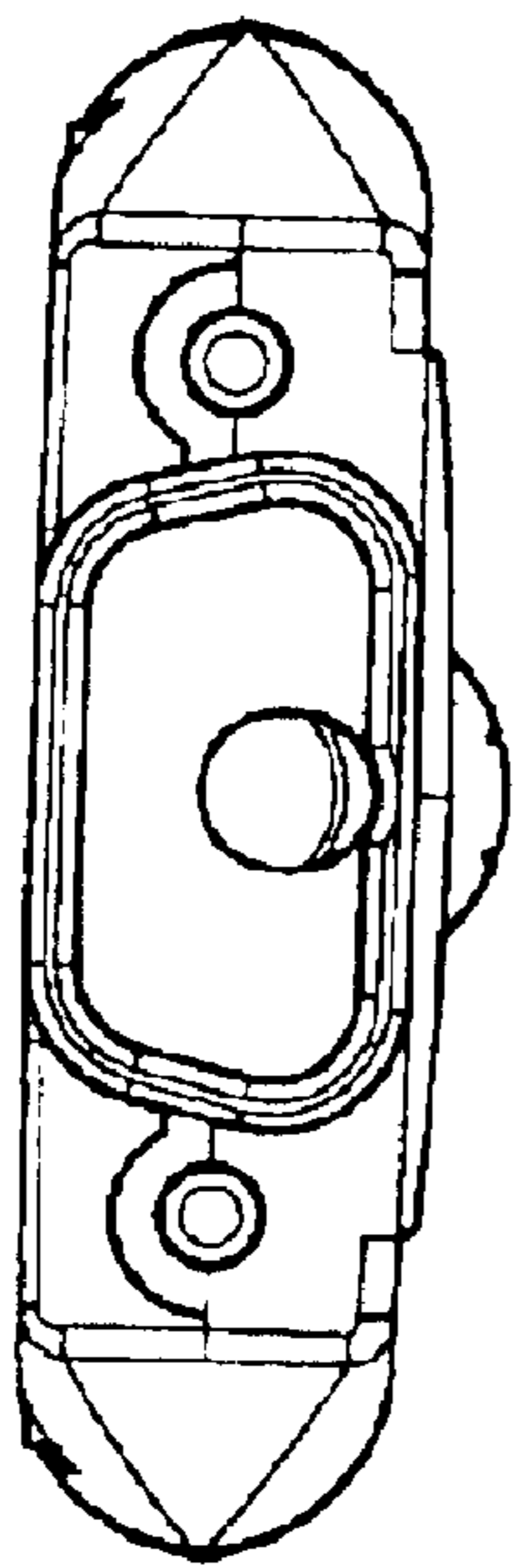


Fig. 7

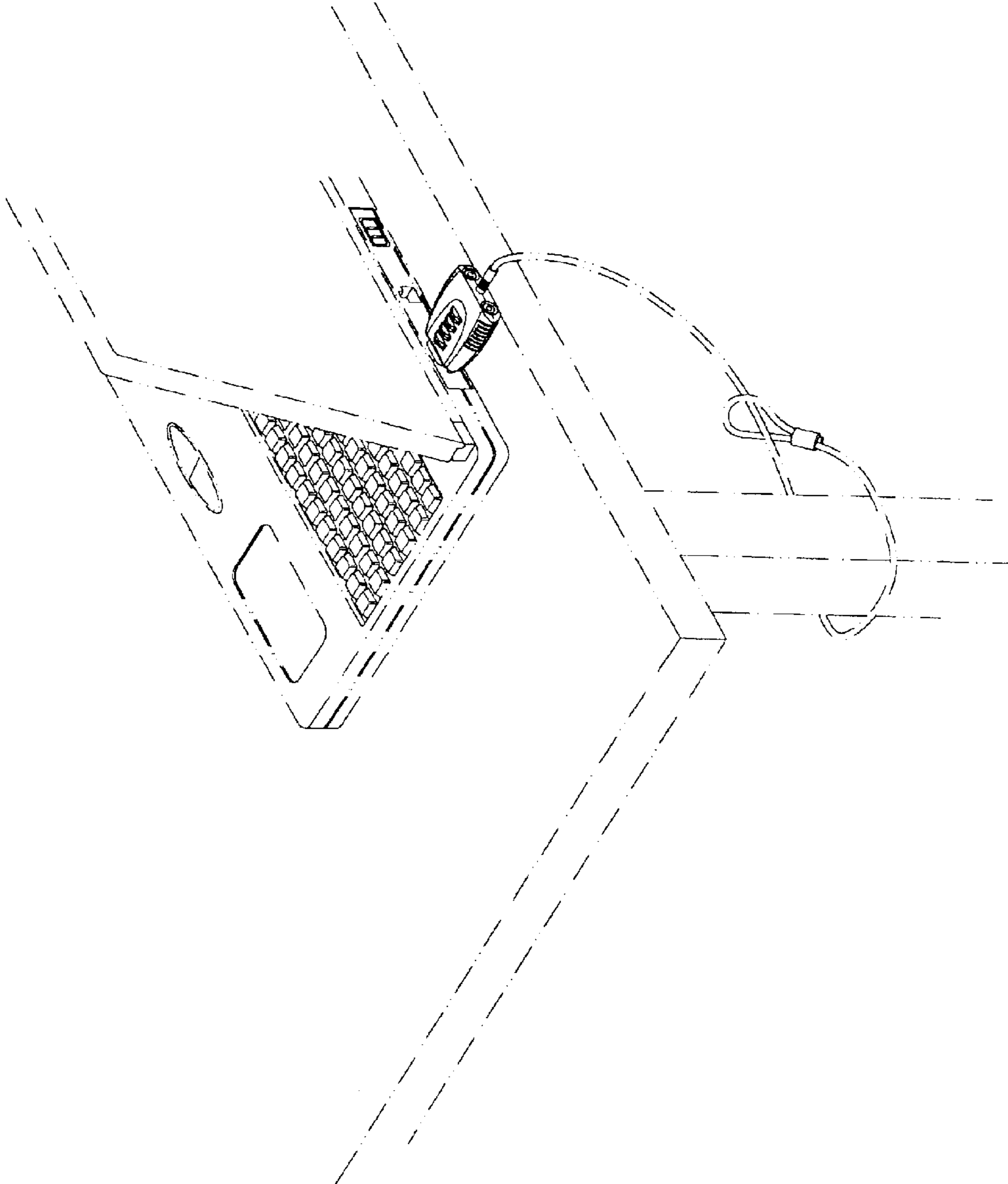


Fig. 8

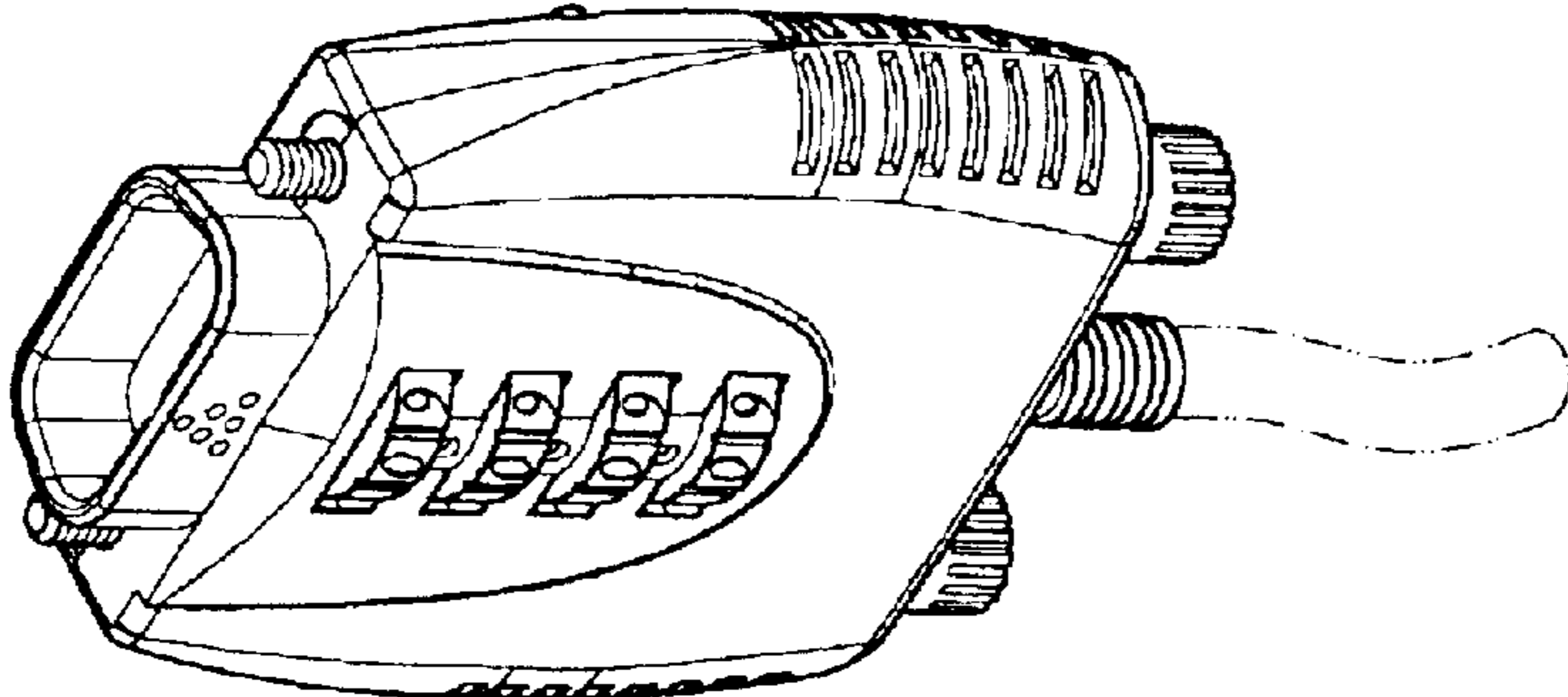


Fig. 9