

US00D495577S1

(12) **United States Design Patent**
Dewald et al.

(10) **Patent No.: US D495,577 S**
(45) **Date of Patent: ** Sep. 7, 2004**

(54) **PULL**

(75) Inventors: **Kevin Dewald**, Spring Lake, MI (US);
Scott A. Thor, Comstock Park, MI (US)

(73) Assignee: **Belwith International, Ltd.**,
Grandville, MI (US)

(**) Term: **14 Years**

(21) Appl. No.: **29/153,635**

(22) Filed: **Jan. 10, 2002**

(51) **LOC (7) Cl.** **08-06**

(52) **U.S. Cl.** **D8/307**

(58) **Field of Search** D8/300-302, 305,
D8/307, 310, 313, 314, 315-320, 350, 352,
353; D23/250-254; D11/40, 48, 58, 63,
68, 69, 72, 75-77; 16/110.1, 412, 414-420,
441, 443-446, 434; 292/347

(56) **References Cited**

U.S. PATENT DOCUMENTS

D109,314 S	*	4/1938	De Vries	D8/313
2,126,201 A	*	8/1938	McCall	16/434
D119,493 S	*	3/1940	Enthof	D8/319
D138,873 S	*	9/1944	Drell	D11/40
D171,793 S	*	3/1954	Katz	D11/76
D197,960 S	*	4/1964	Heyer	D8/307
D326,990 S	*	6/1992	Bishop	D8/315
D371,733 S	*	7/1996	Caugh et al.	D8/307

D373,067 S	*	8/1996	De'Armond	D8/317
D377,445 S	*	1/1997	Caugh et al.	D8/317
D379,918 S	*	6/1997	Mattson et al.	D8/313
D418,389 S	*	1/2000	O'Neil	D8/317

OTHER PUBLICATIONS

Sager Locks & Hardware Catalog 37; p. 461; pull No. 12559WK.*

Acme Hardware Catalog; copyright 1965; p. 5; pull No. 10/"ALTA".*

Belwith Hardware Catalog; copyright 1987; p. 8; knob P123.*

* cited by examiner

Primary Examiner—B. J. Bullock

(74) *Attorney, Agent, or Firm*—Rader, Fishman & Grauer PLLC

(57) **CLAIM**

The ornamental design for a pull, as shown and described.

DESCRIPTION

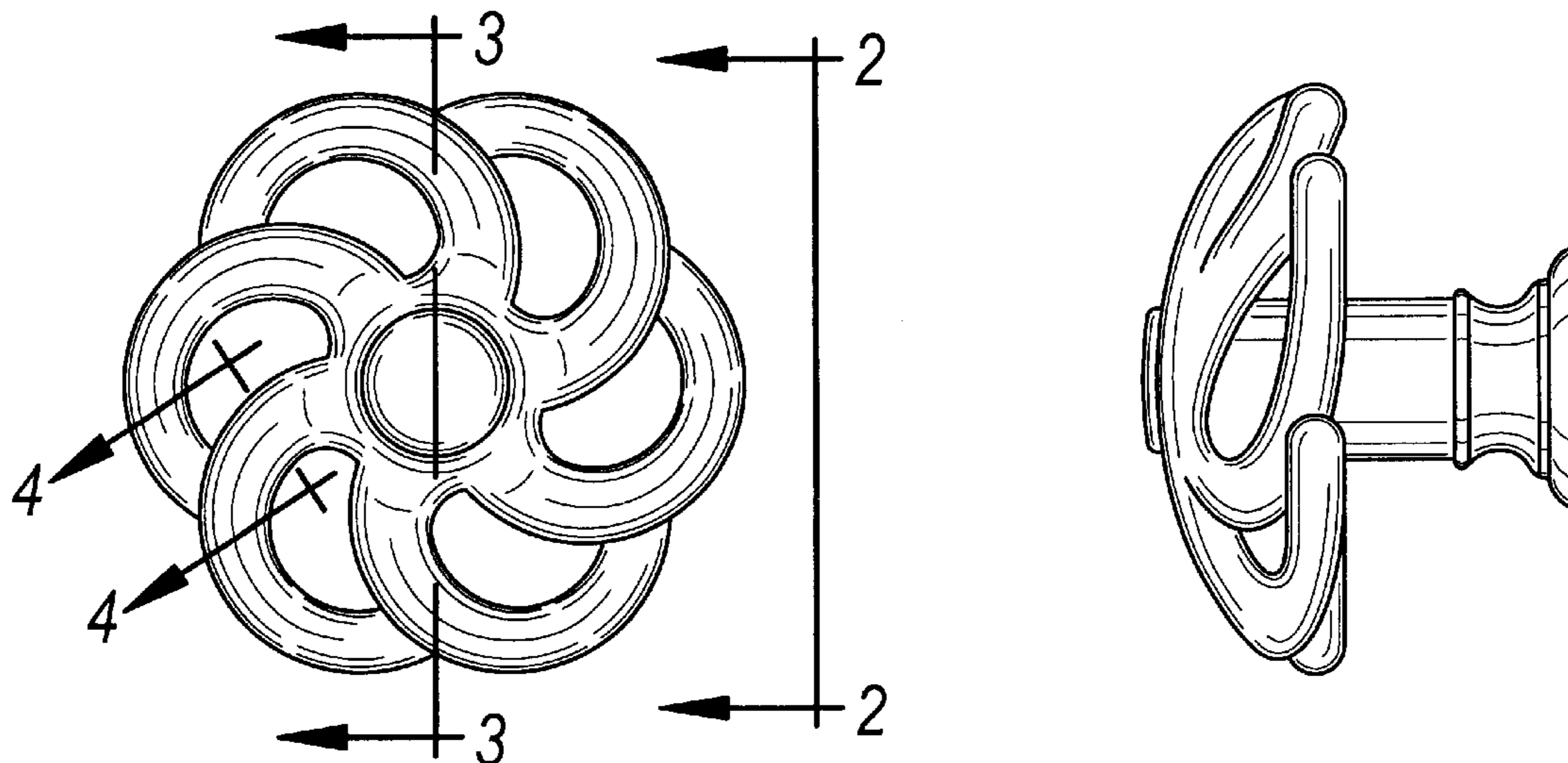
FIG. 1 is a front elevational view of the pull of the present invention.

FIG. 2 is a right side view taken along lines 2—2 of FIG. 1.

FIG. 3 is a cross sectional view taken along lines 3—3 of FIG. 1; and,

FIG. 4 is a cross sectional view taken along lines 4—4 of FIG. 1.

1 Claim, 1 Drawing Sheet



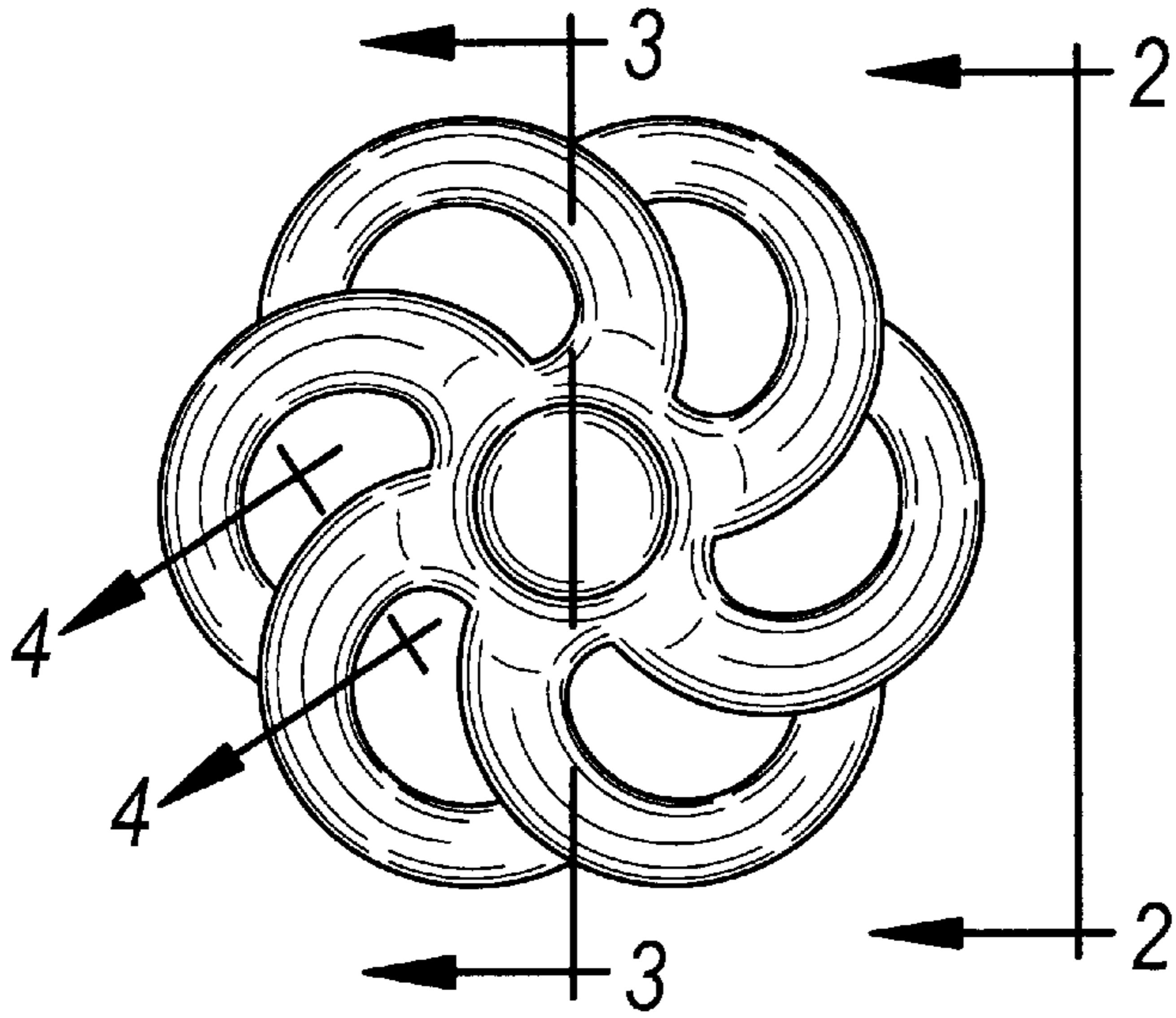


FIG. 1

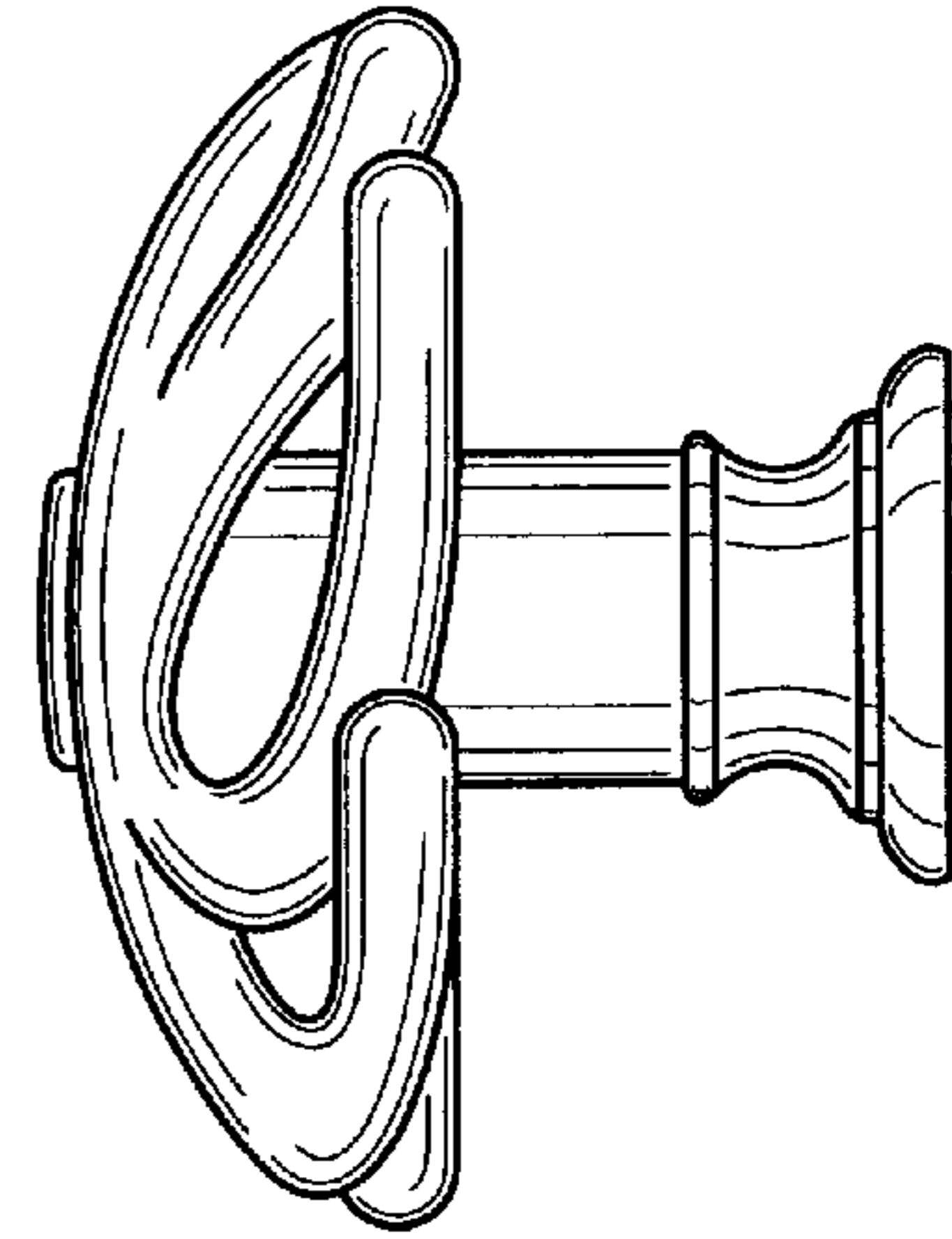


FIG. 2

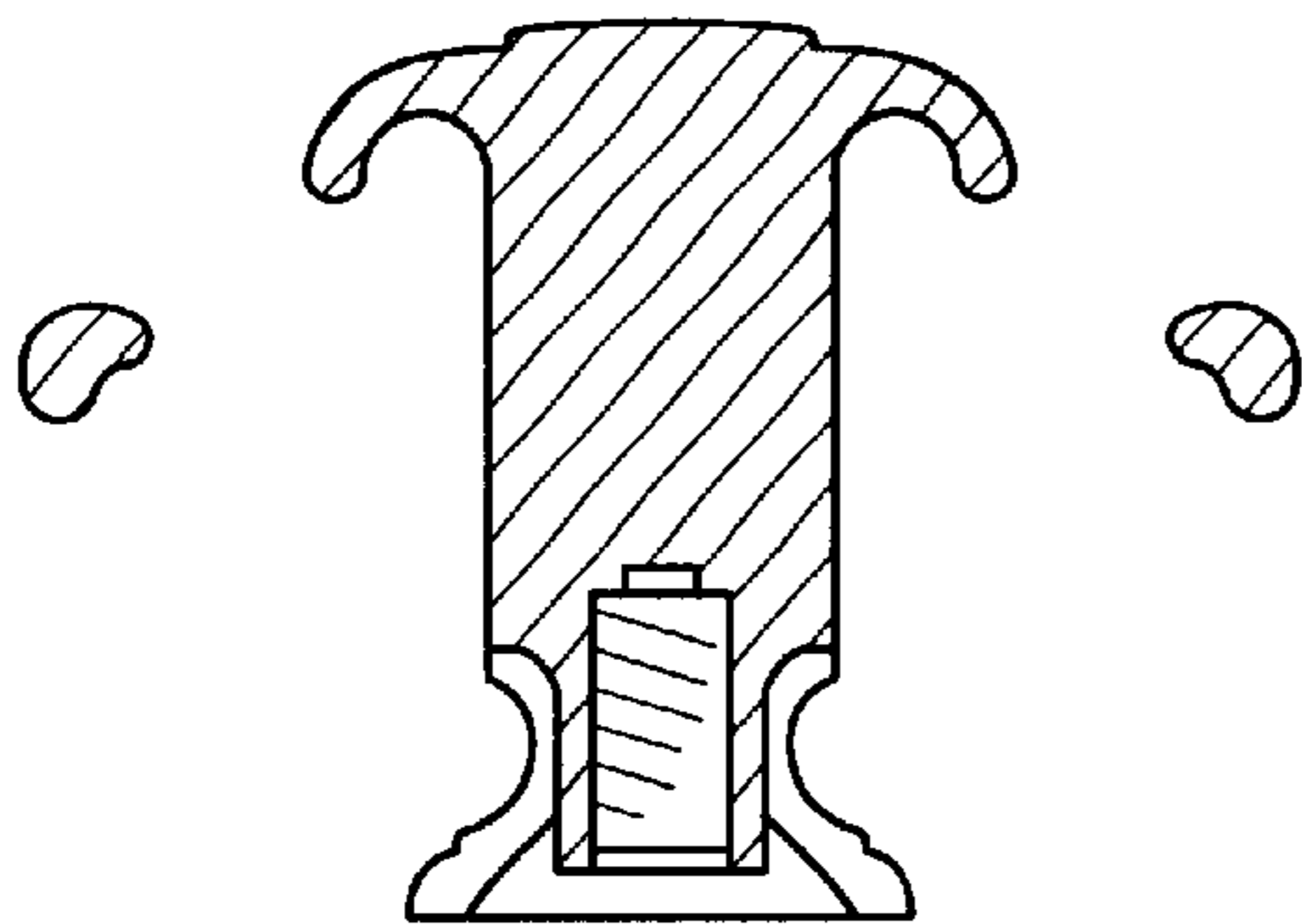


FIG. 3



FIG. 4