

US00D495574S1

(12) **United States Design Patent**  
**Schoen**

(10) **Patent No.:** **US D495,574 S**

(45) **Date of Patent:** **\*\* Sep. 7, 2004**

(54) **PLANER**

(75) **Inventor:** **Klaus Schoen, Esslingen (DE)**

(73) **Assignee:** **Robert Bosch GmbH, Stuttgart (DE)**

(\*\*) **Term:** **14 Years**

(21) **Appl. No.:** **29/156,303**

(22) **Filed:** **Feb. 25, 2002**

(30) **Foreign Application Priority Data**

Aug. 24, 2001 (DE) ..... 4 01 07 535

(51) **LOC (7) Cl.** ..... **08-01**

(52) **U.S. Cl.** ..... **D8/62**

(58) **Field of Search** ..... D8/61, 62, 67,  
D8/69, 90; 30/475, 476, 477, 481, 482,  
483; 144/114.1, 115, 117.4, 126, 130; 409/175,  
178

(56) **References Cited**

**U.S. PATENT DOCUMENTS**

4,280,542 A \* 7/1981 Alessio et al. .... 144/117.4  
4,363,343 A \* 12/1982 Cuneo ..... 30/475

D282,236 S \* 1/1986 Shohoji et al. .... D8/61  
4,584,772 A \* 4/1986 Bergler ..... 30/475  
4,601,104 A \* 7/1986 Zaiser et al. .... 30/475  
D323,098 S \* 1/1992 Sakamoto et al. .... D8/62  
5,094,000 A \* 3/1992 Becht et al. .... 30/475  
5,383,275 A \* 1/1995 Hild et al. .... 30/475  
5,815,934 A \* 10/1998 Eichberger et al. .... 30/475  
D413,779 S \* 9/1999 Hayakawa et al. .... D8/62

\* cited by examiner

*Primary Examiner*—James Gandy

*Assistant Examiner*—Elizabeth Albert

(74) *Attorney, Agent, or Firm*—Kenyon & Kenyon

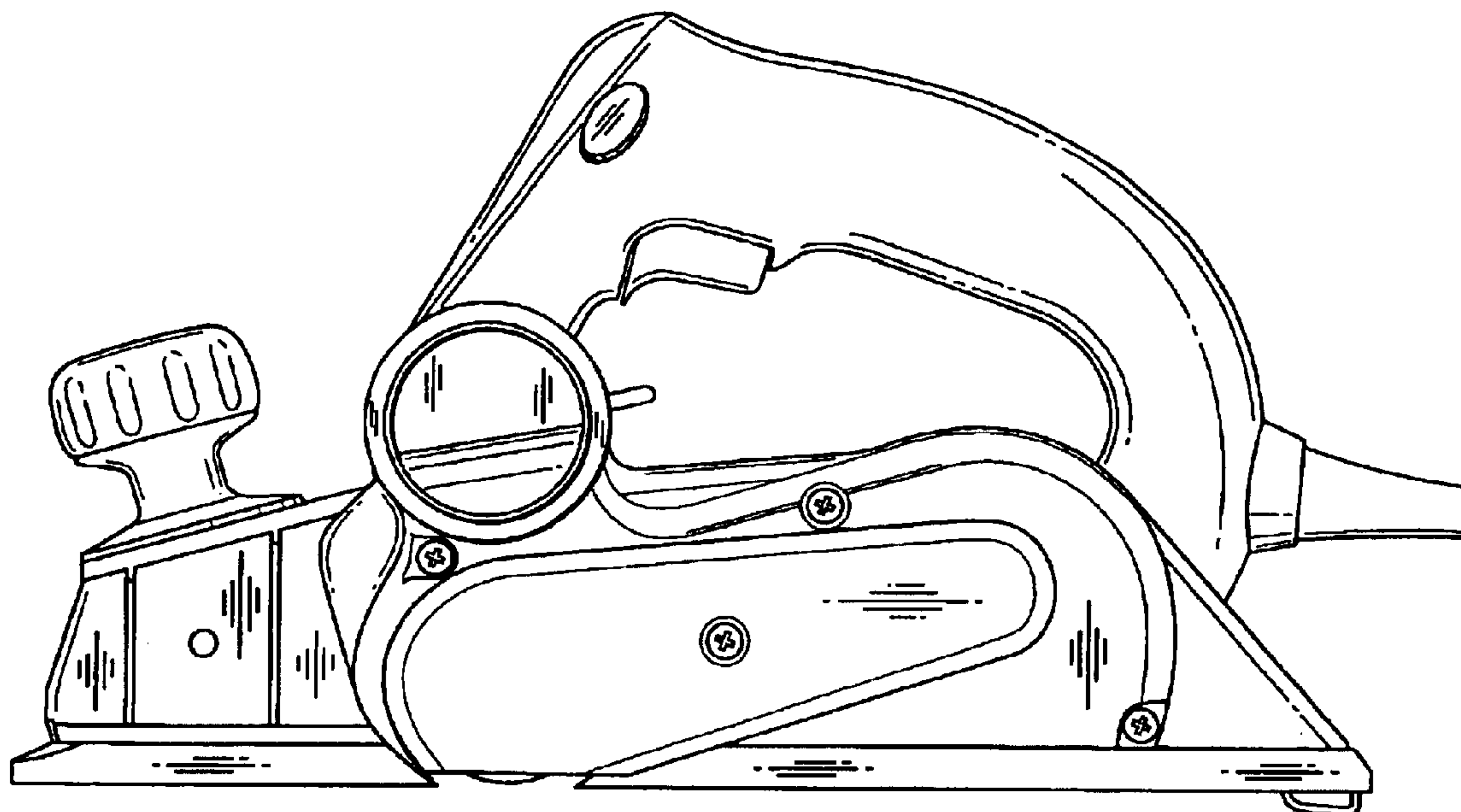
(57) **CLAIM**

The ornamental design for a planer, as shown and described.

**DESCRIPTION**

FIG. 1 is a left side elevation view of a planer of my new design;  
FIG. 2 is a back end elevation view thereof;  
FIG. 3 is a front end elevation view thereof;  
FIG. 4 is a top plan view thereof; and,  
FIG. 5 is a bottom plan view thereof.

**1 Claim, 5 Drawing Sheets**



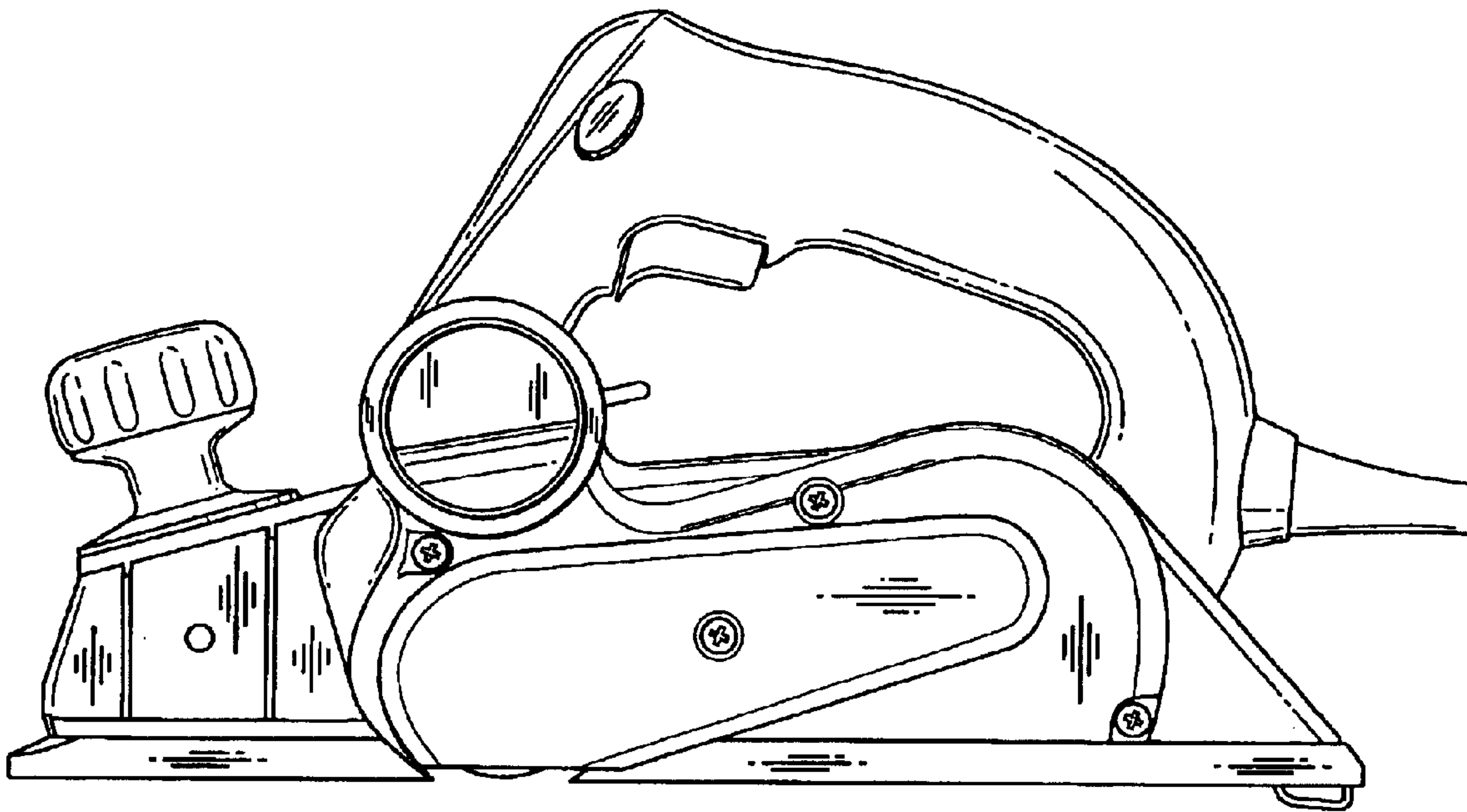


FIG. 1

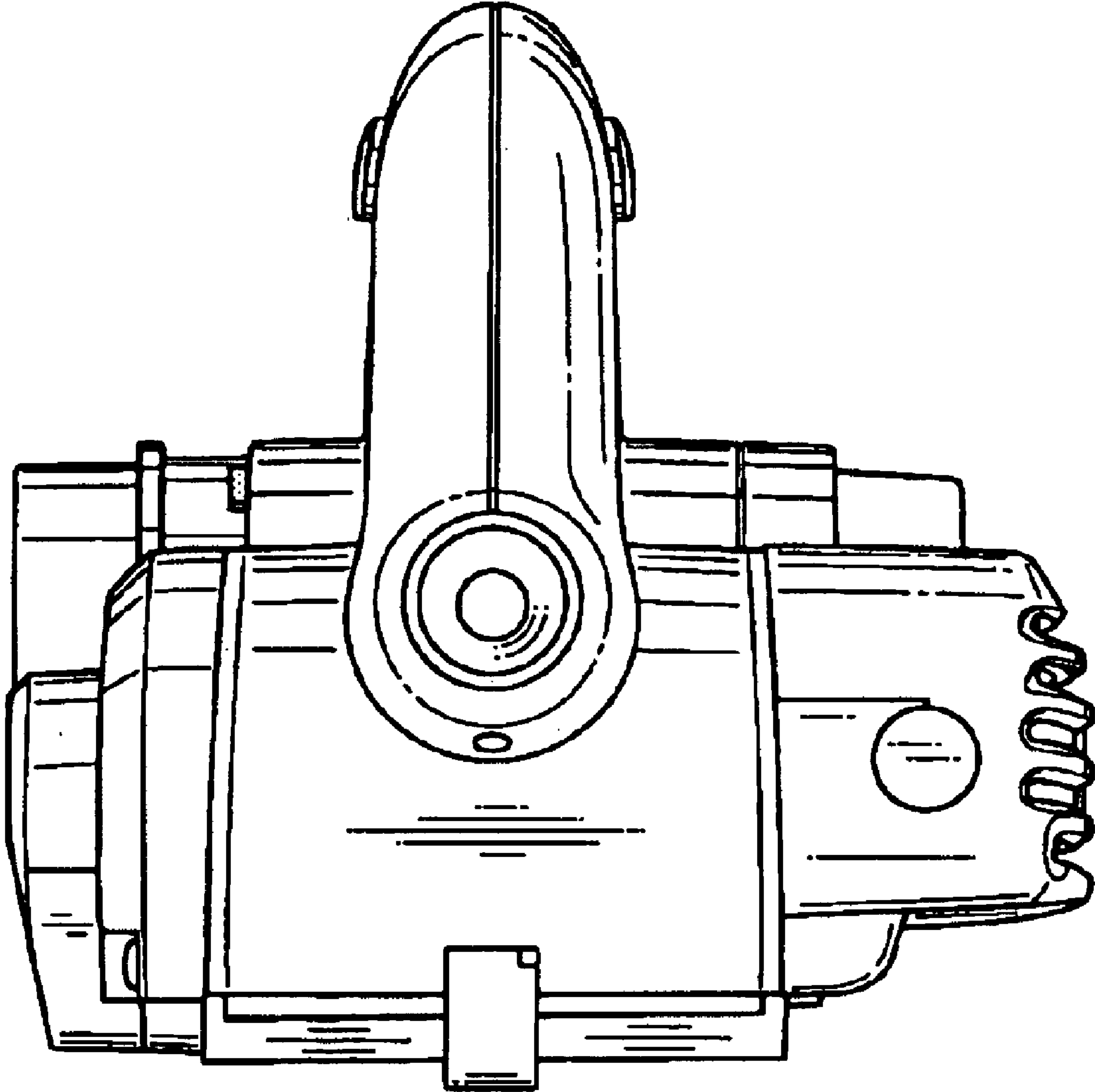


FIG. 2

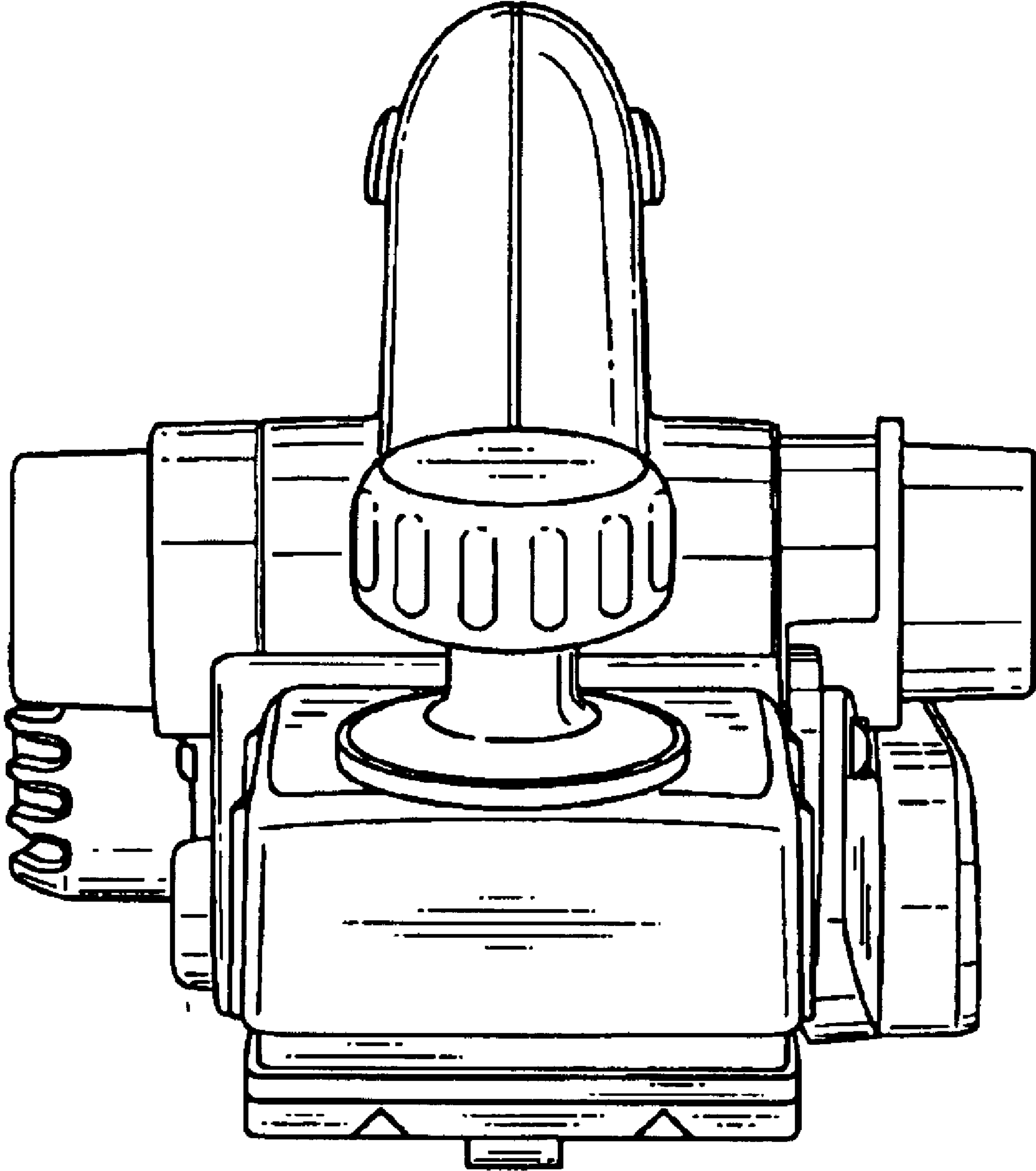


FIG. 3

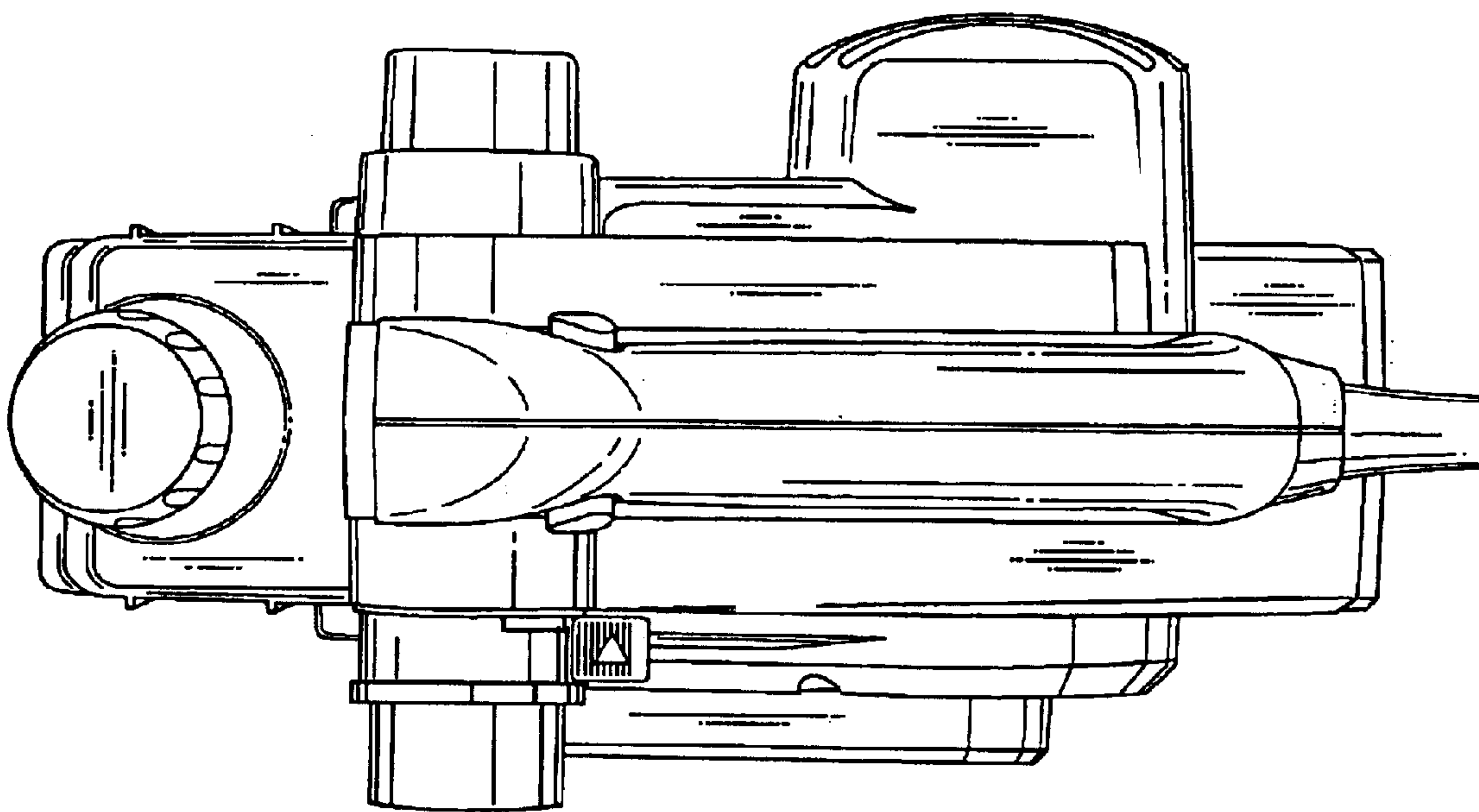


FIG. 4

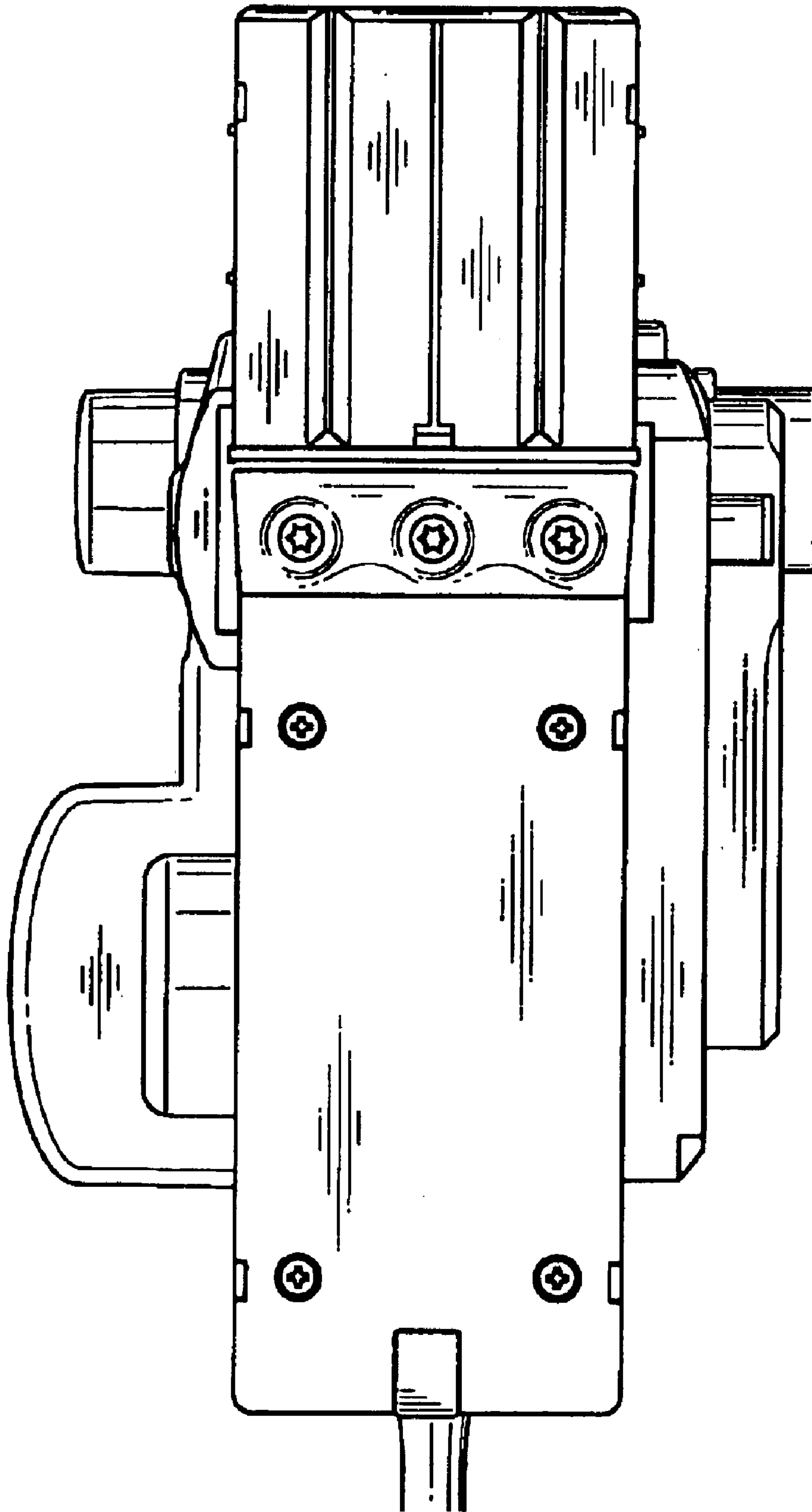


FIG. 5