



US00D495571S1

(12) **United States Design Patent** (10) **Patent No.:** **US D495,571 S**  
**Brousseau et al.** (45) **Date of Patent:** **\*\* Sep. 7, 2004**

(54) **CAN OPENER**

(75) Inventors: **Yvan Brousseau**, Montreal (CA);  
**Francois Duval**, Terrebonne (CA);  
**Derek Hunziker**, Montreal (CA);  
**Patrick Mainville**, Montreal (CA);  
**Jean Marcoux**, Montreal (CA); **Gad Shaanan**, La Jolla, CA (US)

(73) Assignee: **Wilton Industries, Inc.**, Woodridge, IL (US)

(\*\*) Term: **14 Years**

(21) Appl. No.: **29/186,076**

(22) Filed: **Jul. 9, 2003**

(51) **LOC (7) Cl.** ..... **07-99**

(52) **U.S. Cl.** ..... **D8/39**

(58) **Field of Search** ..... D8/16-19, 33-43,  
D8/21, 26, 29; D11/157-162; 7/151-156,  
118; 81/3.07-3.49, 52, 119-125.1, 177.1-177.6,  
436, 437

(56) **References Cited**

**U.S. PATENT DOCUMENTS**

1,852,389 A	4/1932	Zidovec
2,984,904 A	5/1961	McLean
4,825,554 A	5/1989	Koo
D304,900 S	12/1989	Miquelot

5,022,159 A	6/1991	Cressman et al.
D326,039 S	5/1992	Viemeister
D339,723 S	9/1993	Tanfoglio
5,430,945 A	7/1995	Huang
D362,165 S	9/1995	Wheeler
D397,009 S	8/1998	Hon
D409,888 S	5/1999	So
6,088,921 A	7/2000	Valento
D436,508 S *	1/2001	Roberts ..... D8/39
D454,472 S	3/2002	Sum
6,374,502 B1	4/2002	Holcomb et al.
D458,819 S	6/2002	Levien

\* cited by examiner

*Primary Examiner*—Caron D. Veynar

(74) *Attorney, Agent, or Firm*—Piper Rudnick LLP

(57) **CLAIM**

The ornamental design for a can opener, as shown.

**DESCRIPTION**

FIG. 1 is a front top perspective view of the can opener;  
FIG. 2 is a rear bottom perspective view of the can opener;  
FIG. 3 is a top plan view of the can opener;  
FIG. 4 is a front elevational view of the can opener;  
FIG. 5 is a bottom plan view of the can opener;  
FIG. 6 is a rear elevational view of the can opener;  
FIG. 7 is a right side elevational view of the can opener; and,  
FIG. 8 is a left side elevational view of the can opener.

**1 Claim, 3 Drawing Sheets**

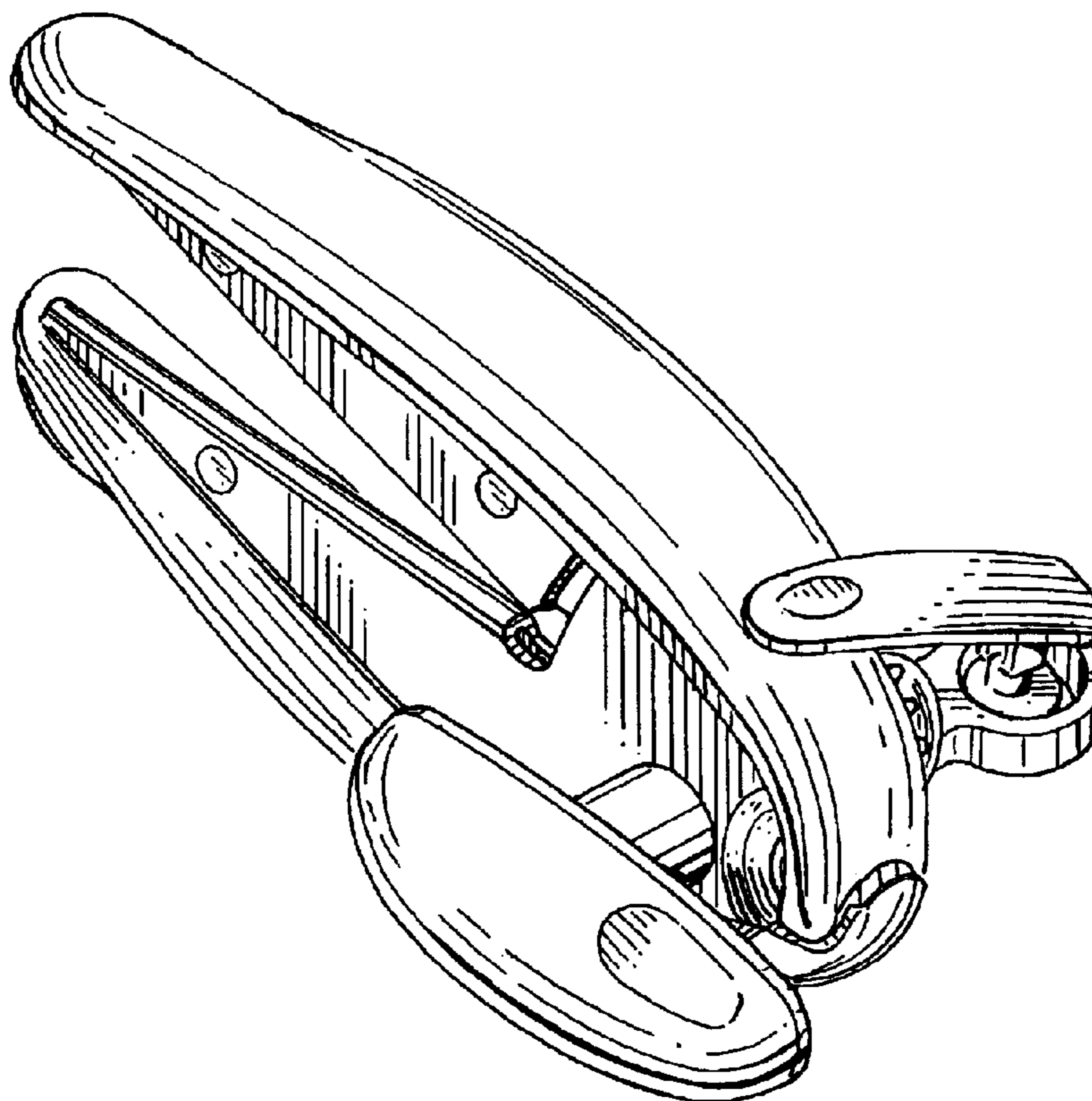


FIG. 1

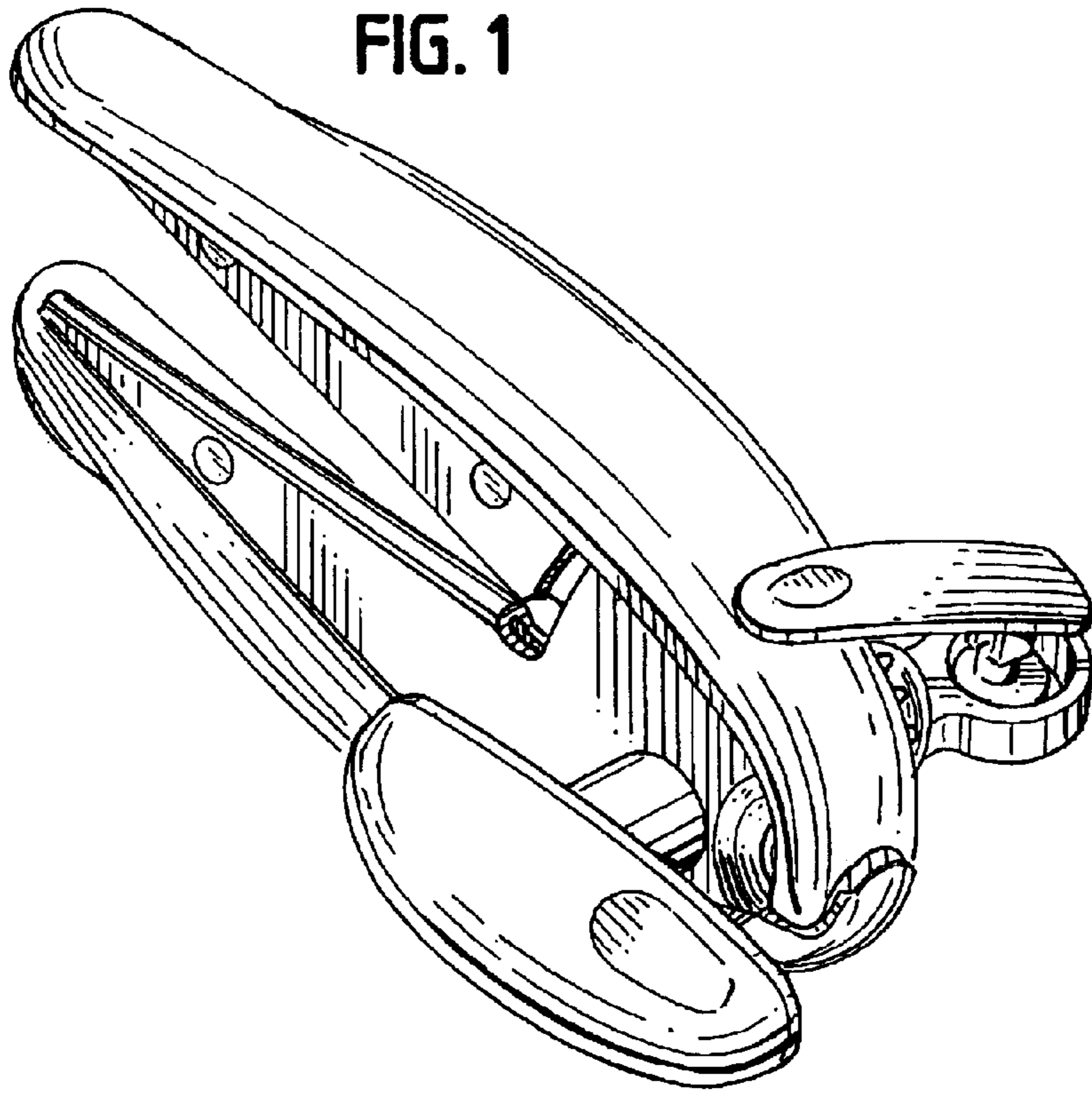
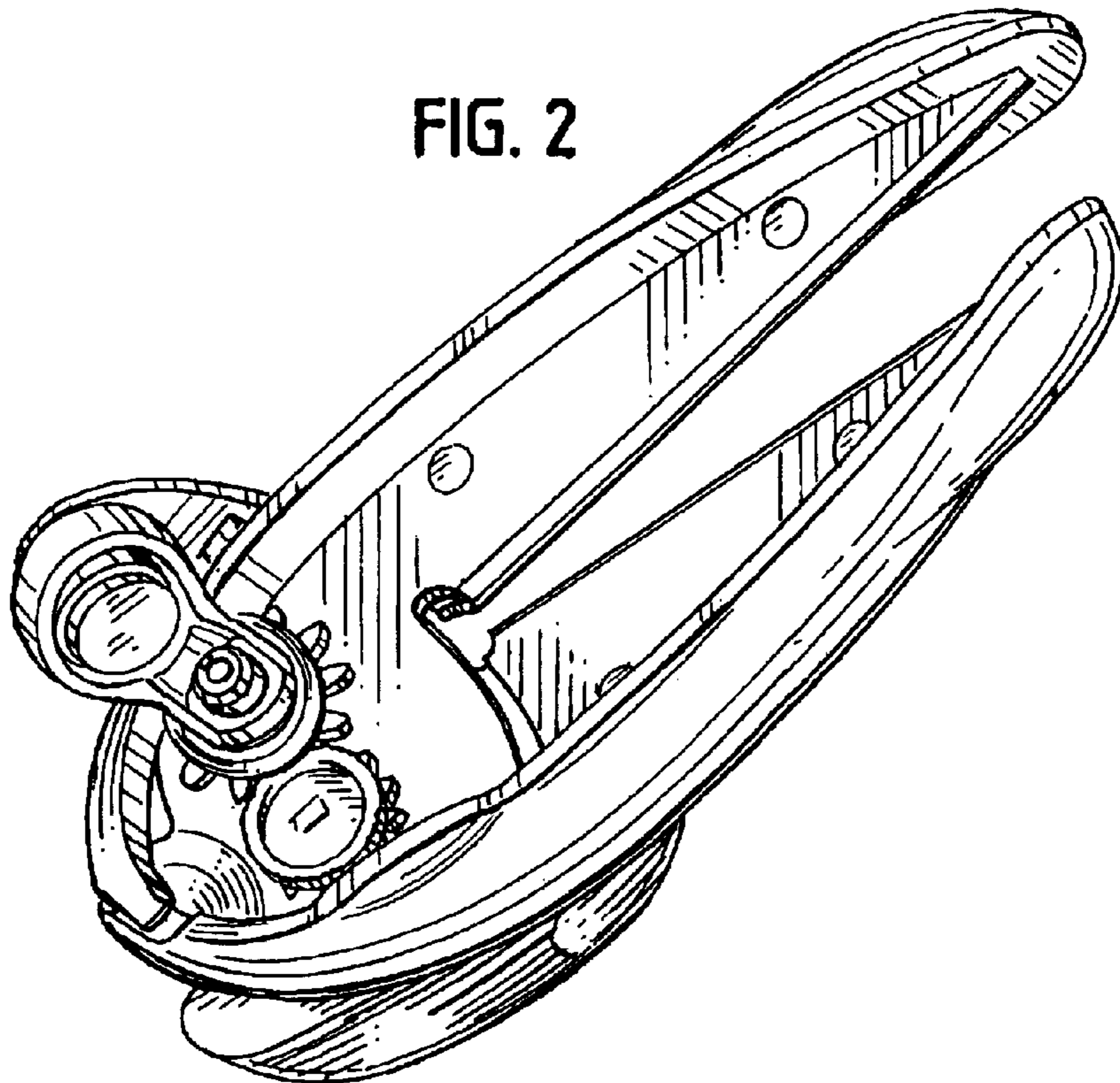


FIG. 2



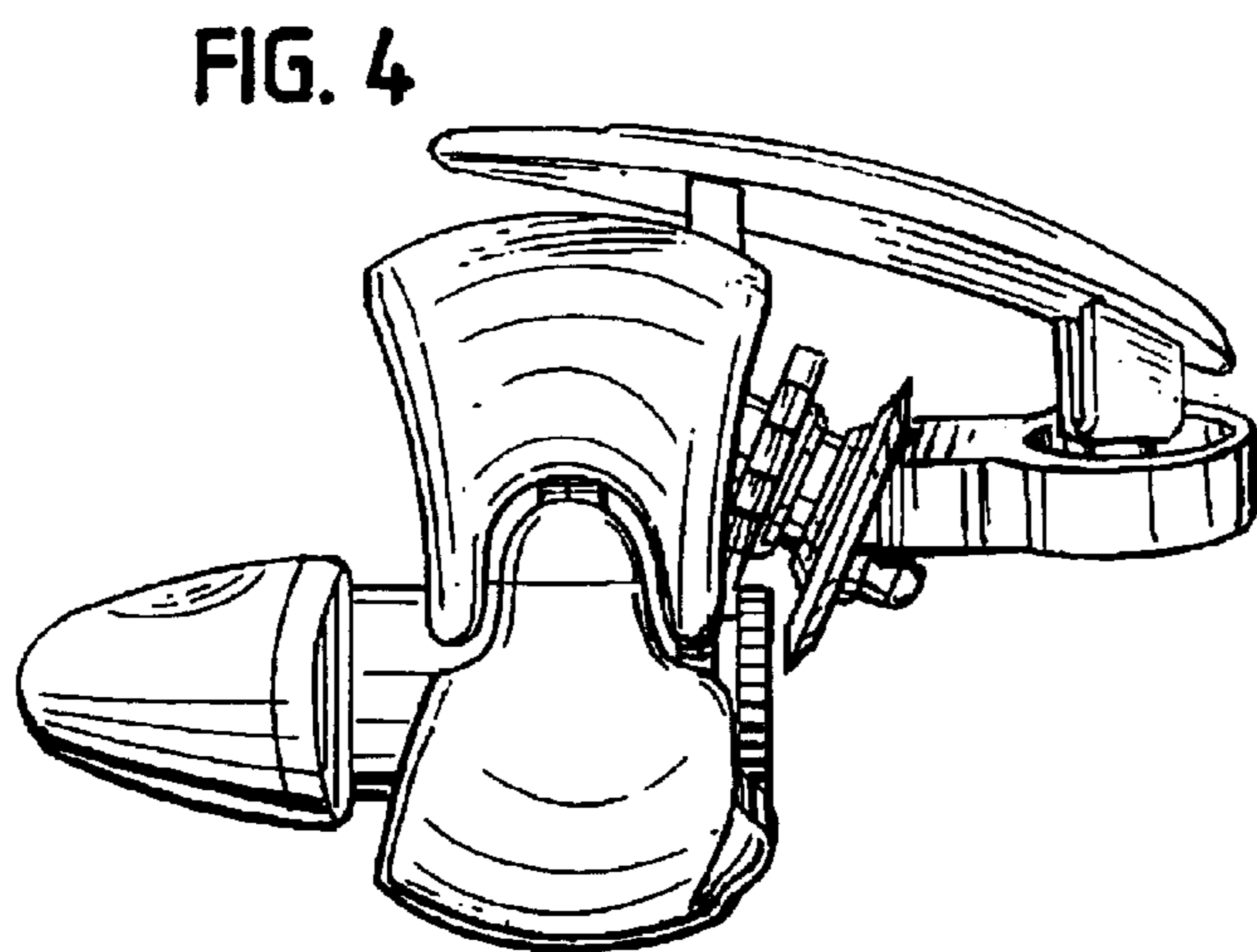
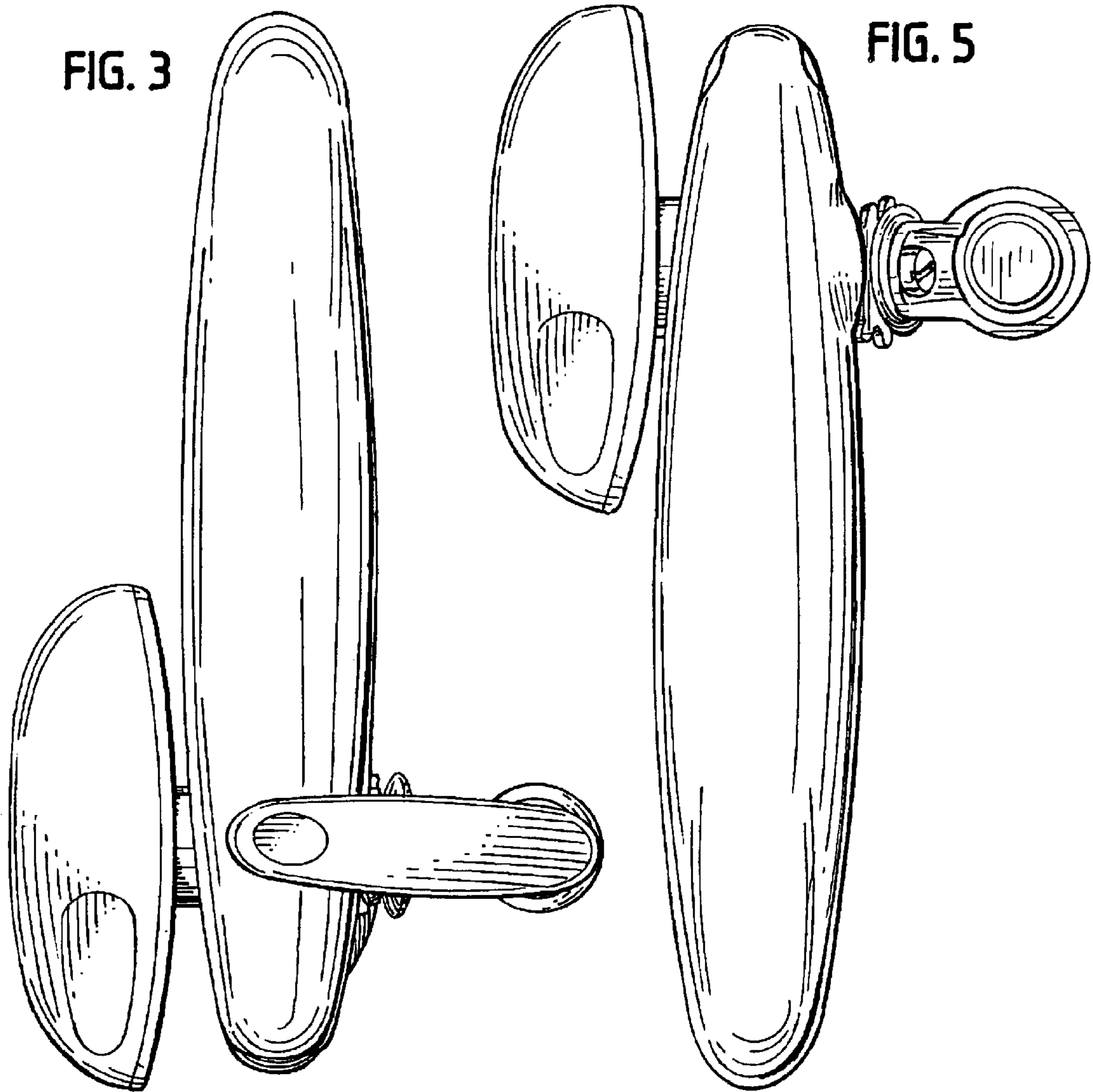




FIG. 6

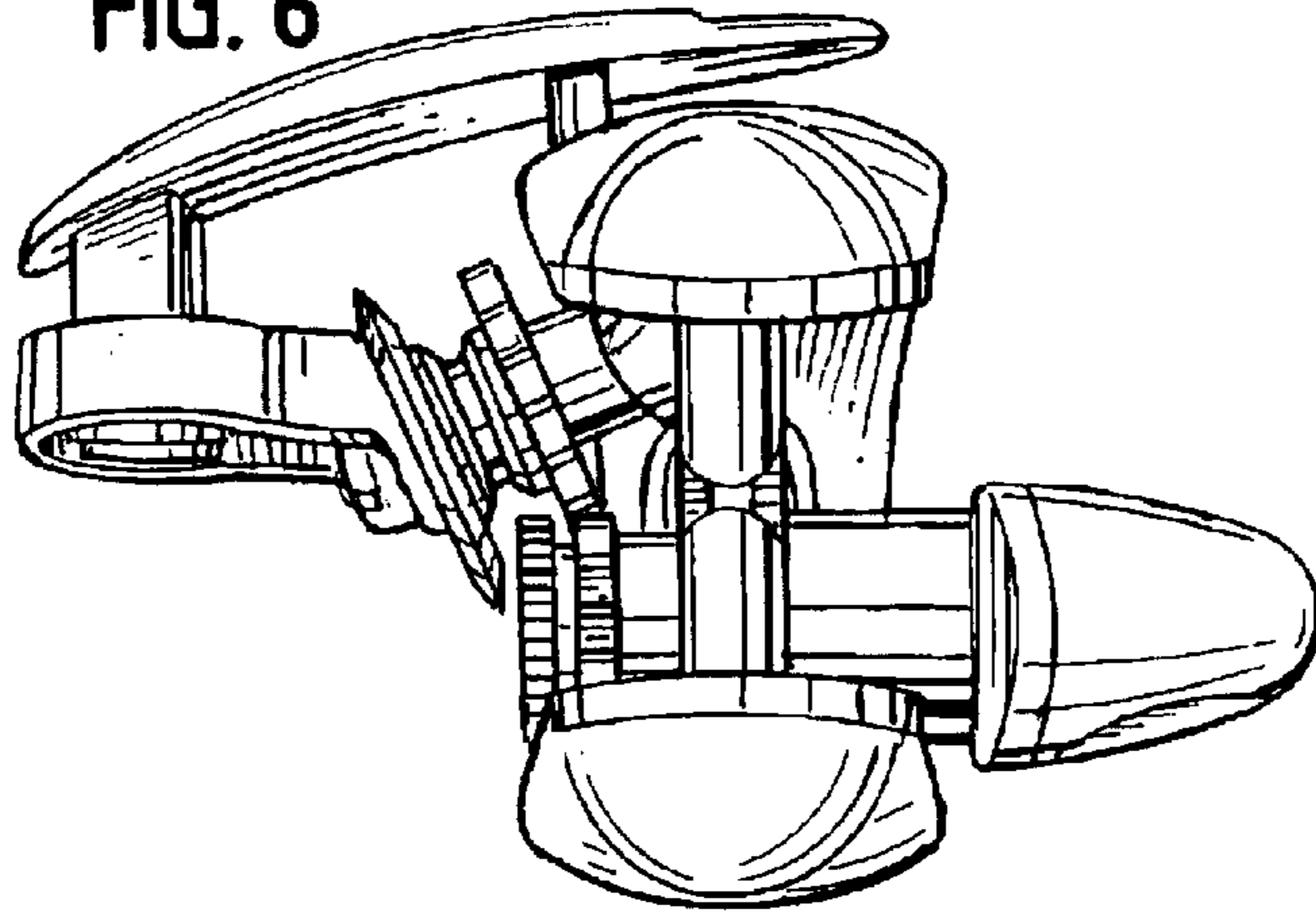


FIG. 7

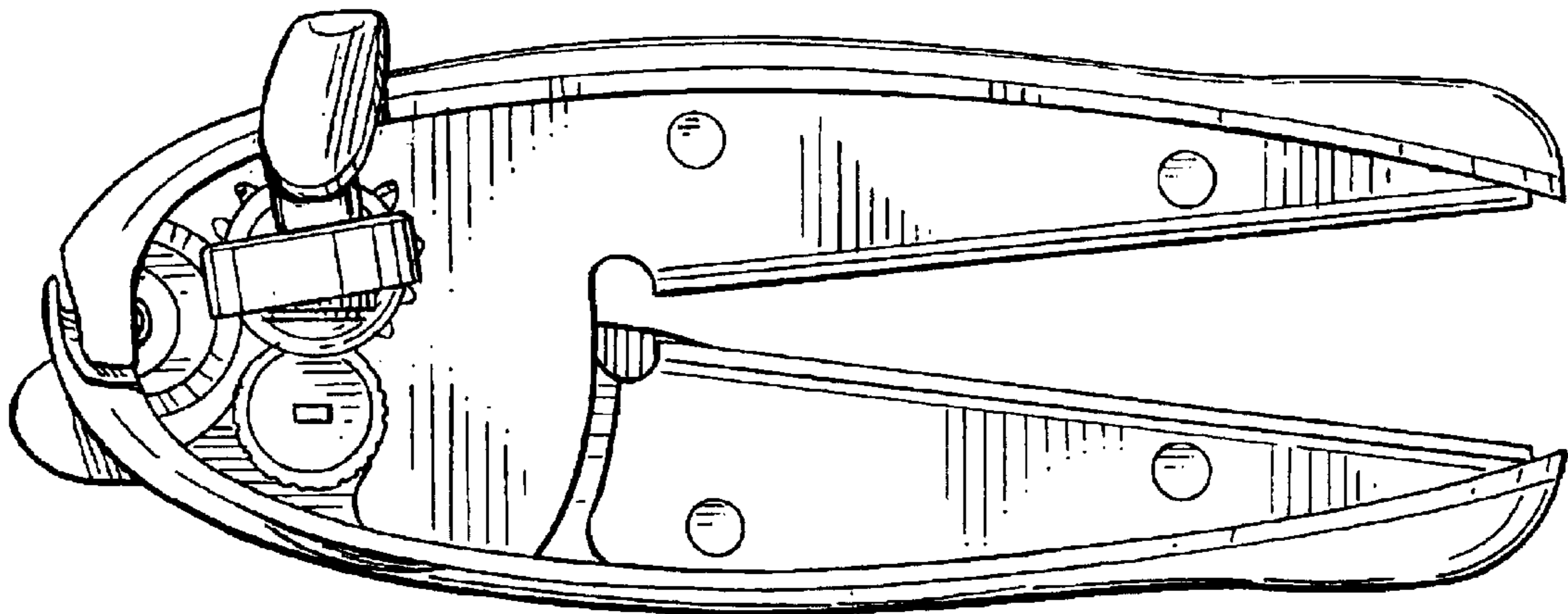


FIG. 8

