

US00D495569S1

(12) **United States Design Patent**
Halstead

(10) **Patent No.: US D495,569 S**

(45) **Date of Patent: ** Sep. 7, 2004**

(54) **DEEP SOCKET WRENCH**

(76) **Inventor: David Halstead, 5273 Alpine Meadows St., Alta Loma, CA (US) 91737**

(**) **Term: 14 Years**

(21) **Appl. No.: 29/188,322**

(22) **Filed: Aug. 15, 2003**

(51) **LOC (7) Cl. 08-05**

(52) **U.S. Cl. D8/25; D8/29; D8/28**

(58) **Field of Search D8/17, 21-29; 81/60-63.2, 177.1, 177.85, 177.75, 121.1, 124.3, 58.3, 59.1**

(56) **References Cited**

U.S. PATENT DOCUMENTS

D182,318 S	*	3/1958	Wright et al.	81/177.1
3,283,622 A	*	11/1966	Wilson	81/58.3
4,362,073 A	*	12/1982	Cloud	81/59.1
D359,429 S	*	6/1995	Williamson	D8/25
6,050,165 A	*	4/2000	Hall	81/63.1

6,053,077 A	*	4/2000	Huang	81/62
6,205,891 B1	*	3/2001	Huang et al.	81/63.1
6,575,060 B1	*	6/2003	Tseng et al.	81/60
D476,867 S	*	7/2003	Walker et al.	D8/25

* cited by examiner

Primary Examiner—Raphael Barkai

(74) *Attorney, Agent, or Firm*—Eric Karich

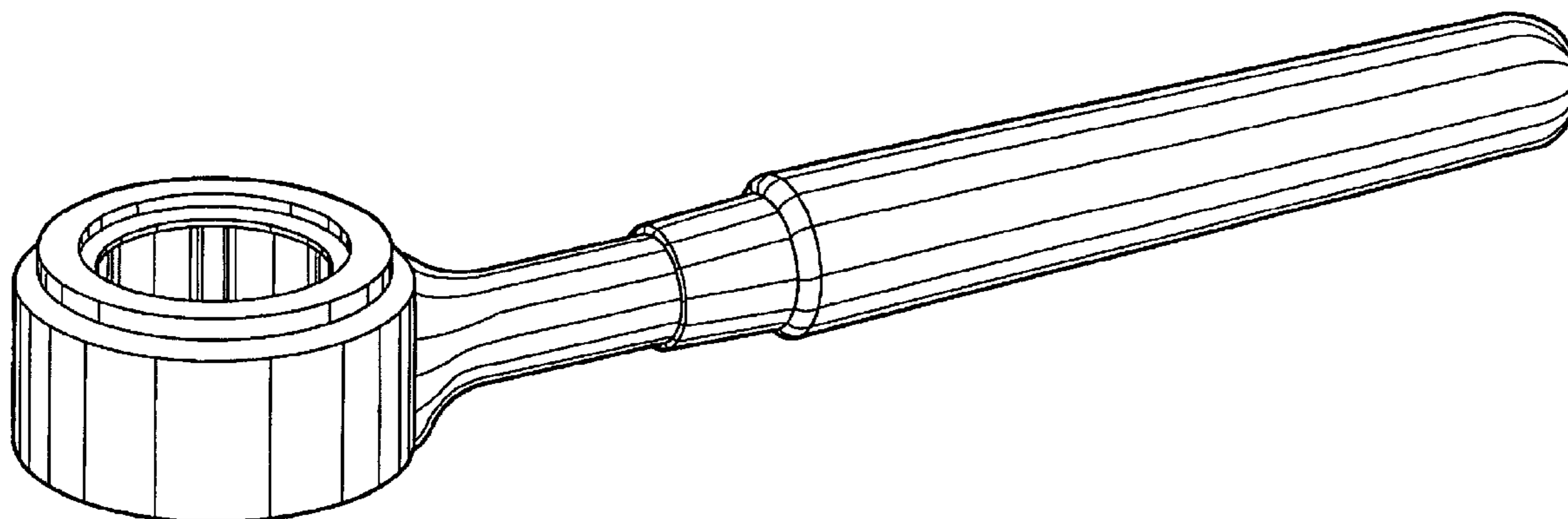
(57) **CLAIM**

The ornamental design for a “deep socket wrench,” as shown and described.

DESCRIPTION

FIG. 1 is a perspective view of a deep socket wrench, showing my new design;
FIG. 2 is a front elevational view thereof;
FIG. 3 is a rear elevational view thereof;
FIG. 4 is a left side elevational view thereof, the right side elevational view being a mirror image thereof;
FIG. 5 is a top plan view thereof; and,
FIG. 6 is a bottom plan view thereof.

1 Claim, 4 Drawing Sheets



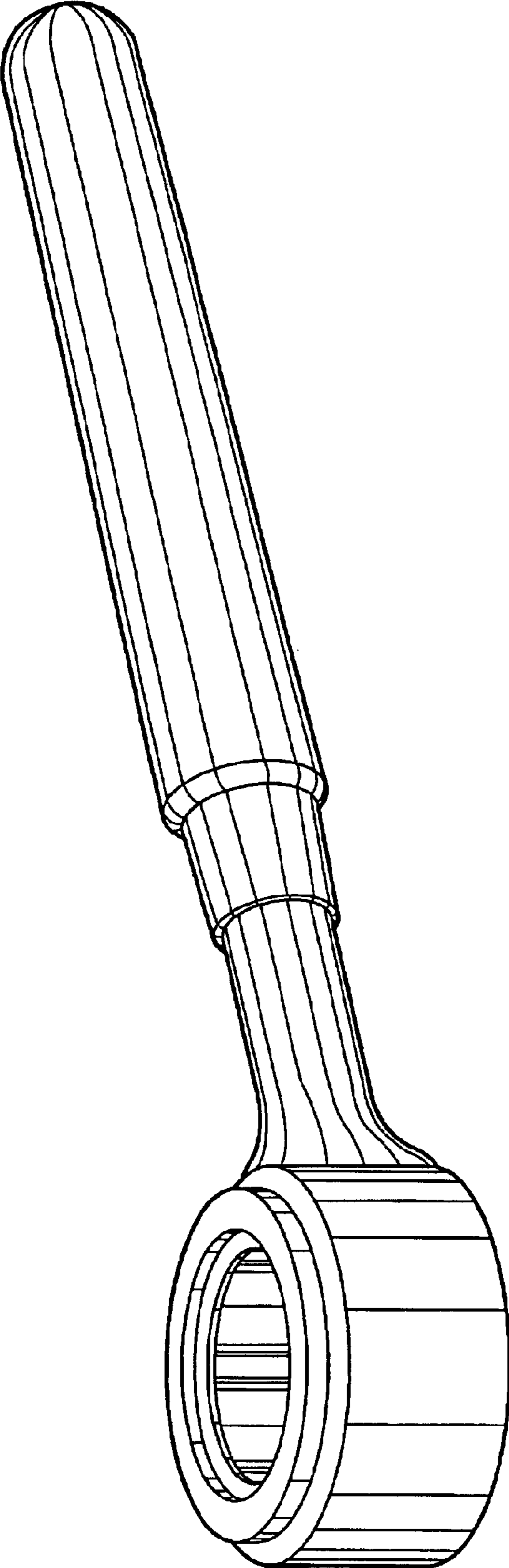


Fig. 1

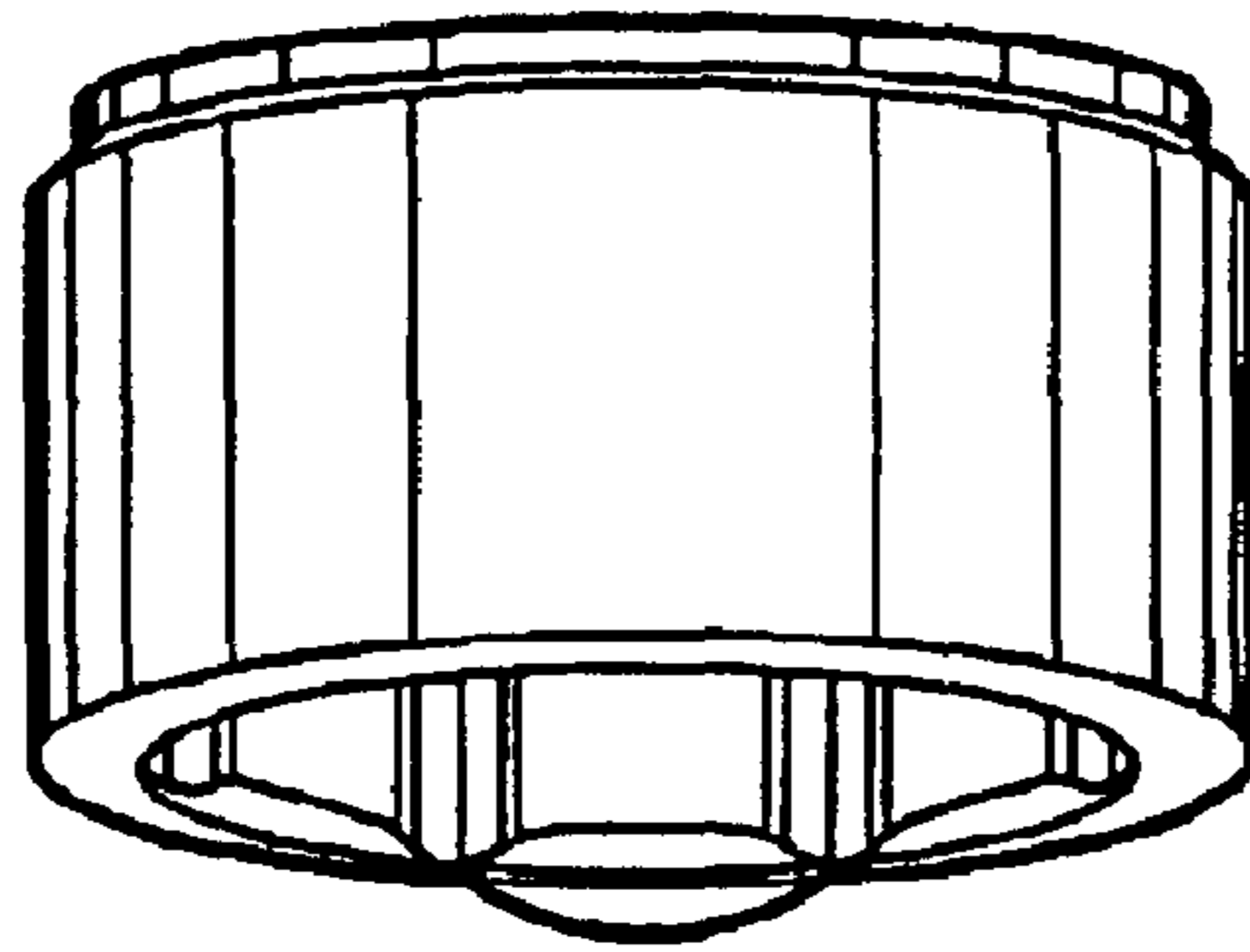


Fig. 2

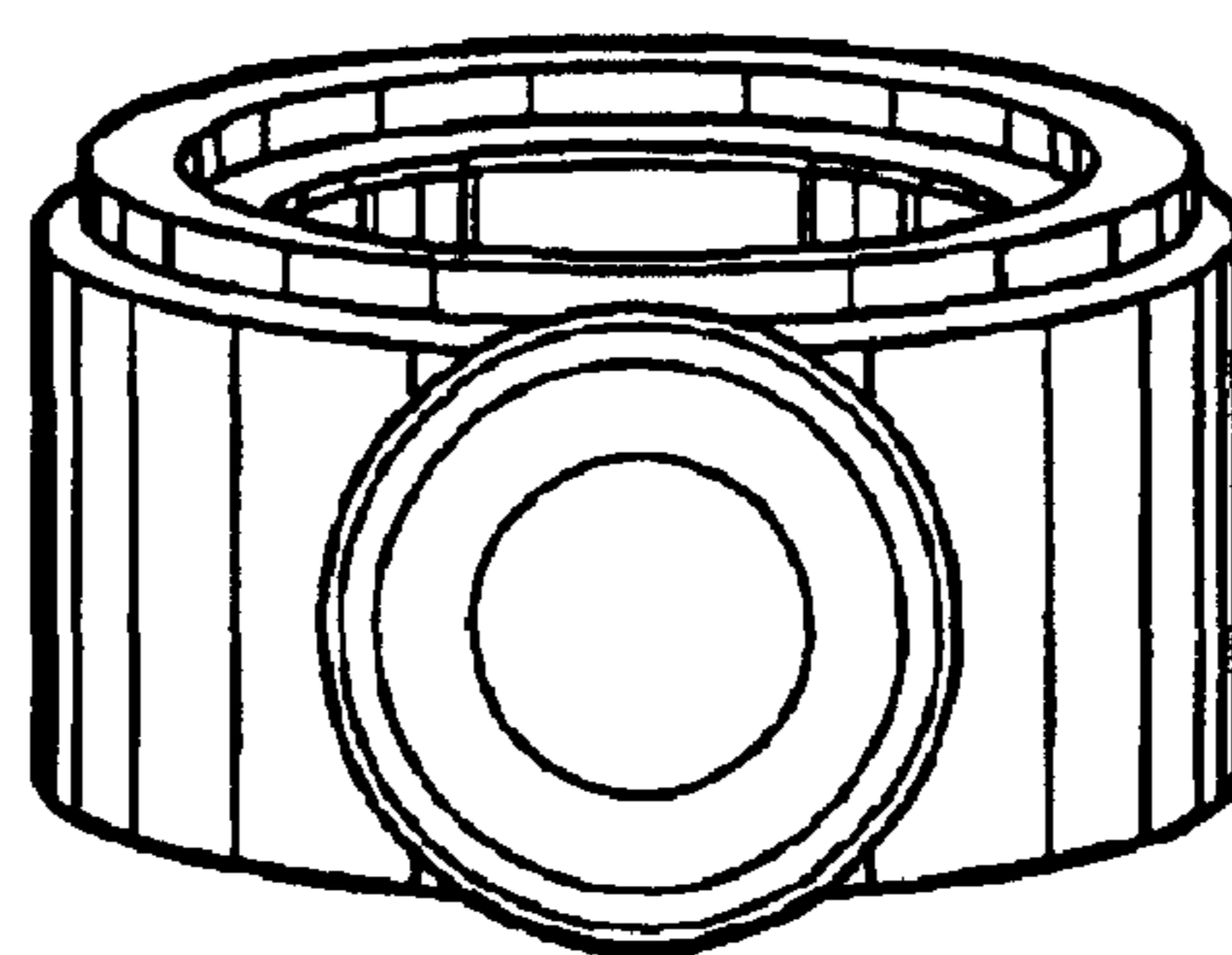


Fig. 3

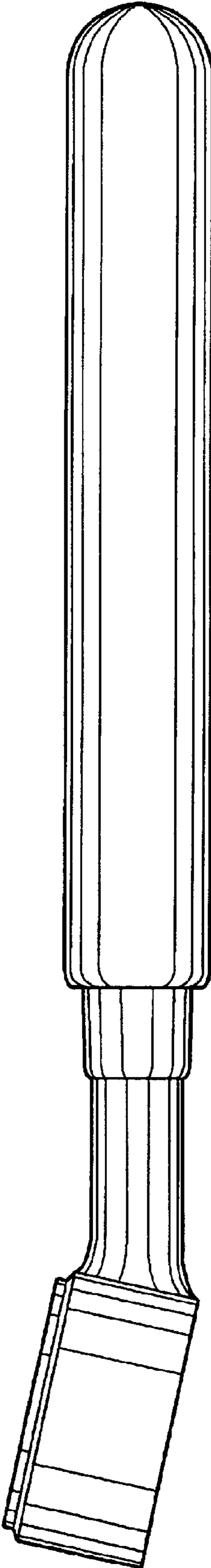


Fig. 4

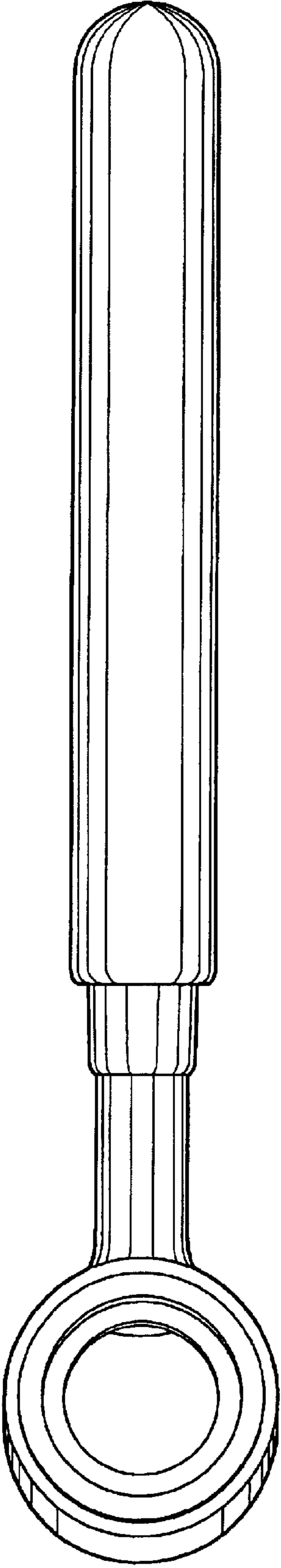


Fig. 5

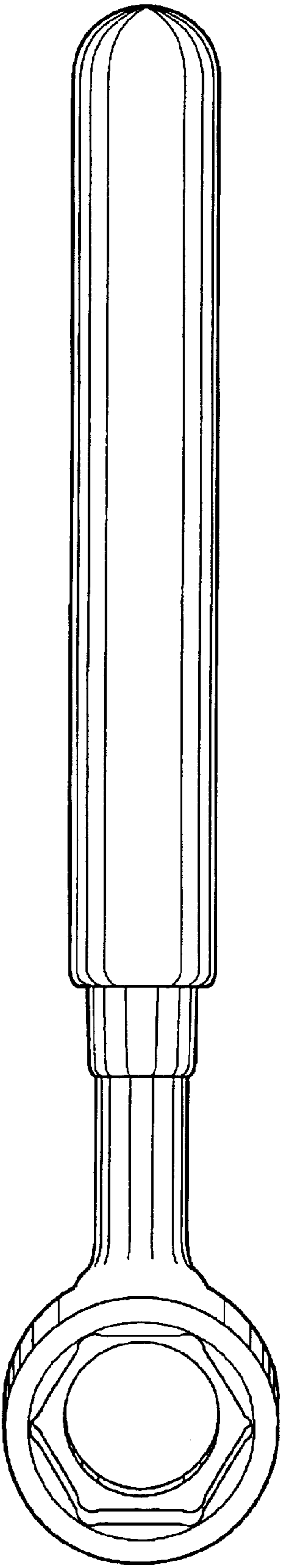


Fig. 6