

US00D495567S1

(12) **United States Design Patent**
Gontar

(10) **Patent No.:** **US D495,567 S**

(45) **Date of Patent:** **** Sep. 7, 2004**

(54) **SCALED DIGGING BAR**

(75) **Inventor:** **Ilya Gontar**, Reseda, CA (US)

(73) **Assignee:** **Olympia Group, Inc**, City of Industry, CA (US)

(**) **Term:** **14 Years**

(21) **Appl. No.:** **29/190,306**

(22) **Filed:** **Sep. 17, 2003**

(51) **LOC (7) Cl.** **08-01**

(52) **U.S. Cl.** **D8/1**

(58) **Field of Search** D8/1, 7, 9; 172/372, 172/380; 47/47

(56) **References Cited**

U.S. PATENT DOCUMENTS

D161,913 S	*	2/1951	Frain	D10/62
5,957,429 A		9/1999	Khachatoorian	254/25
D419,403 S	*	1/2000	Halil, Jr.	D8/1
D438,435 S	*	3/2001	Whyte	D8/1
6,257,553 B1		7/2001	Khachatoorian	254/25
6,598,857 B1		7/2003	Hernandez et al.	254/25

OTHER PUBLICATIONS

Star Nursery Garden Store, www.yardsupply.com internet website, 3 pages. Undated.

* cited by examiner

Primary Examiner—Holly Baynham

(74) *Attorney, Agent, or Firm*—Moser, Patterson & Sheridan, L.L.P.

(57) **CLAIM**

The ornamental design for a scaled digging bar, as shown and described.

DESCRIPTION

FIG. 1 presents a perspective view of a scaled digging bar of the present invention. The ornamental features as applied to the bar are seen in perspective.

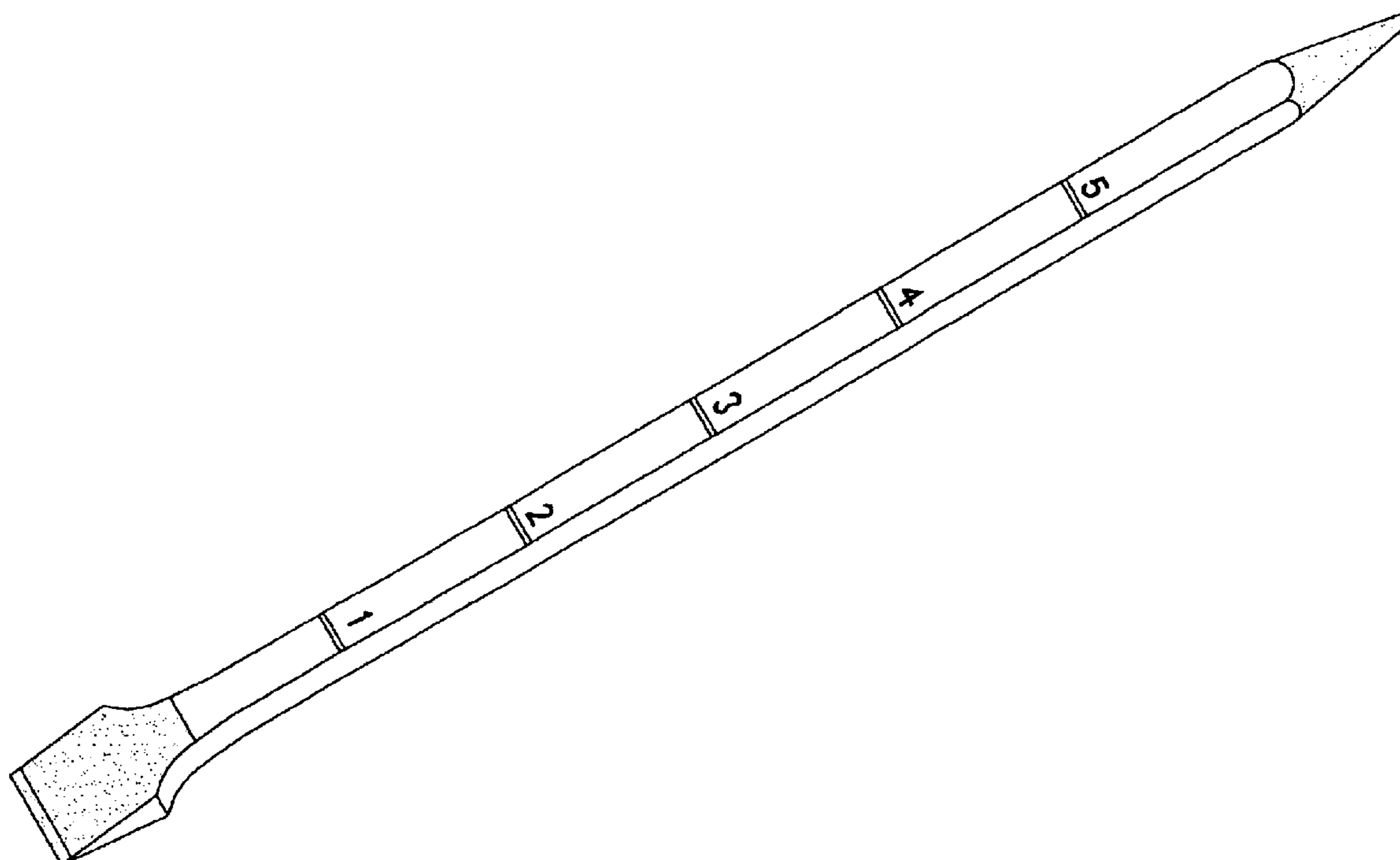
FIG. 2 is a left end view of the scaled digging bar of FIG. 1. The chisel end is seen in this view.

FIG. 3 is a right end view of the scaled digging bar of FIG. 1. The “pencil point” end is seen in this view.

FIG. 4 provides a top view of the scaled digging bar of FIG. 1. The calibration features are visible in this view; and,

Finally, FIG. 5 shows a back view of the scaled digging bar of FIG. 1.

1 Claim, 2 Drawing Sheets



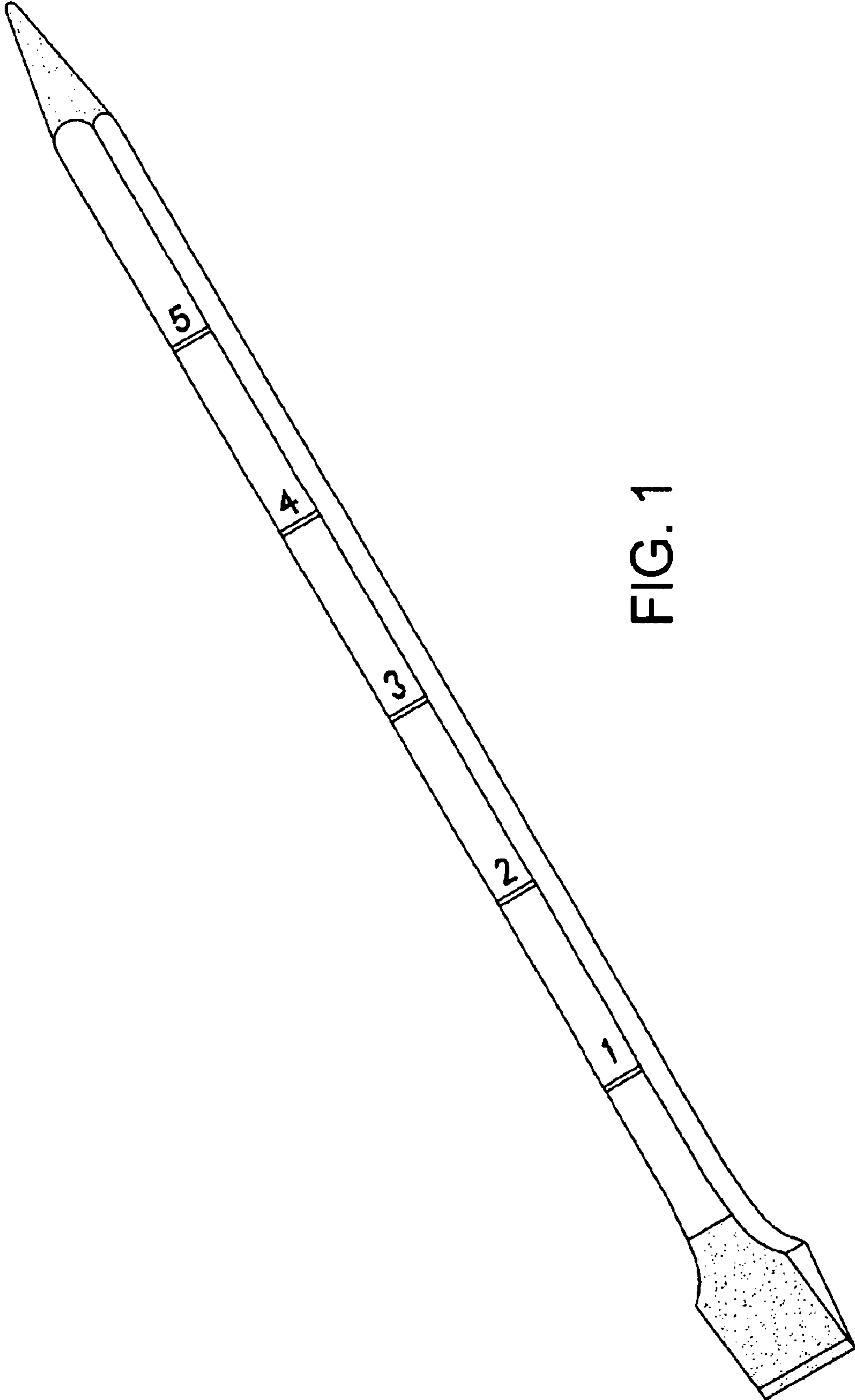


FIG. 1

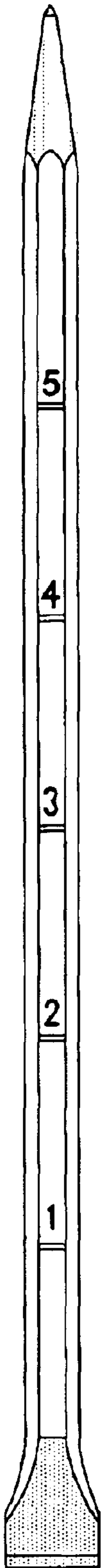


FIG. 4

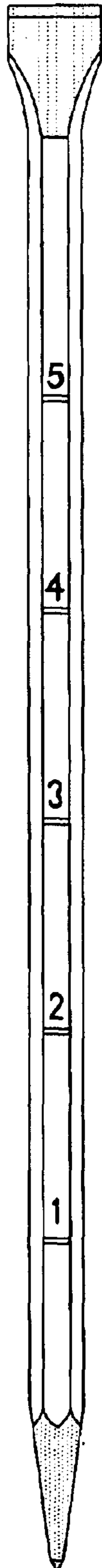


FIG. 5

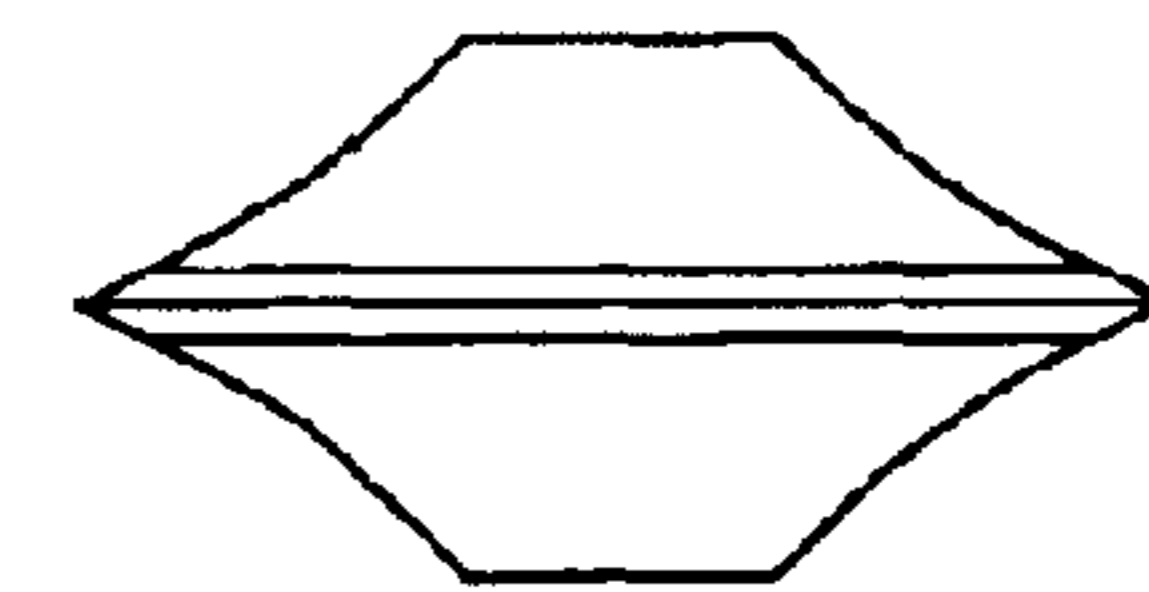


FIG. 2

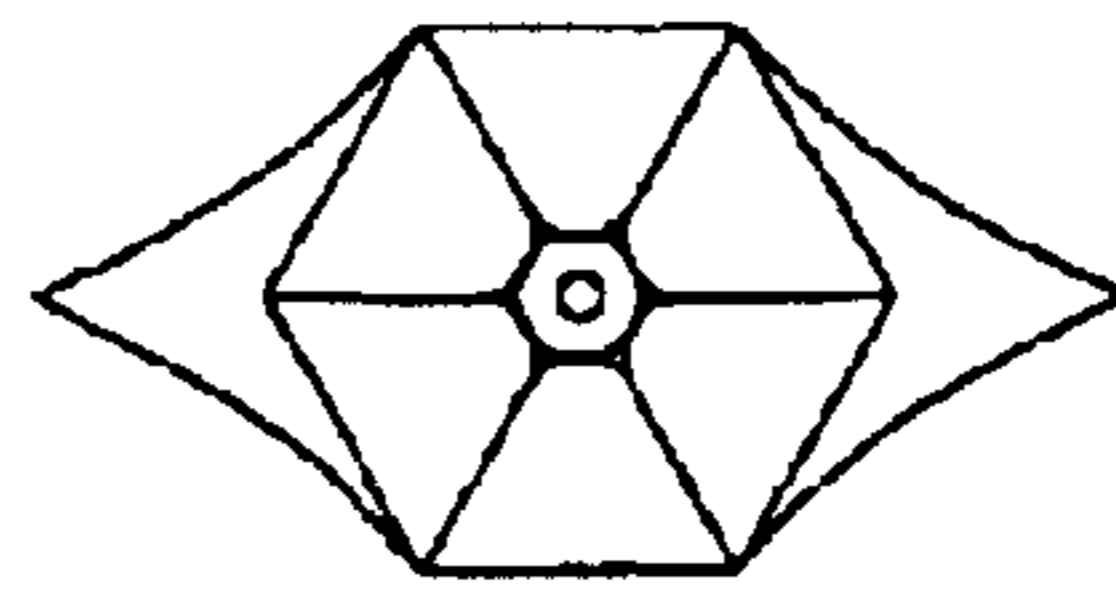


FIG. 3