

US00D495565S1

(12) **United States Design Patent**
Compagnucci

(10) **Patent No.: US D495,565 S**

(45) **Date of Patent: ** Sep. 7, 2004**

(54) **BASKET**

D375,860 S * 11/1996 Coretti, Jr. et al. D6/566
D473,359 S * 4/2003 Joseph D32/55

(75) **Inventor: Rossano Compagnucci, Osimo (IT)**

OTHER PUBLICATIONS

(73) **Assignee: Compagnucci S.p.A., Santa Maria Nuova (IT)**

US 2003/0089672 A1 May 15, 2003
VanLandingham Rack for Reduced Height Washing Compartment.*

(**) **Term: 14 Years**

* cited by examiner

(21) **Appl. No.: 29/194,406**

Primary Examiner—Louis S. Zarfaz

(22) **Filed: Nov. 24, 2003**

Assistant Examiner—Deanne Levy

(30) **Foreign Application Priority Data**

(74) *Attorney, Agent, or Firm*—Armstrong, Kratz, Quintos, Hanson & Brooks, LLP

May 28, 2003 (EP) 37304

(57) **CLAIM**

(51) **LOC (7) Cl. 07-01**

The ornamental design for a basket, as shown.

(52) **U.S. Cl. D7/601**

DESCRIPTION

(58) **Field of Search** D3/304–308, 310, D3/313, 315, 316, 201; D32/55, 58; D7/590, 600, 601, 704–706, 701; D6/566, 567; 211/41.1–41.9, 85.25, 50, 85.31, 40, 41.12, 181.1; 248/37.3, 107, 153, 175, 302

FIG. 1 is a top plan view of a basket showing my new design
FIG. 2 is a rear elevational view thereof in overturned position.

(56) **References Cited**

U.S. PATENT DOCUMENTS

2,516,088 A * 7/1950 Einhorn 211/41.5
3,977,389 A * 8/1976 Ondrasik, II 126/337 R

FIG. 3 is a front elevational view thereof.
FIG. 4 is a right side elevational view thereof.
FIG. 5 is a left side elevational view thereof.
FIG. 6 is a bottom plan view thereof; and,
FIG. 7 is a left perspective view thereof.

1 Claim, 2 Drawing Sheets

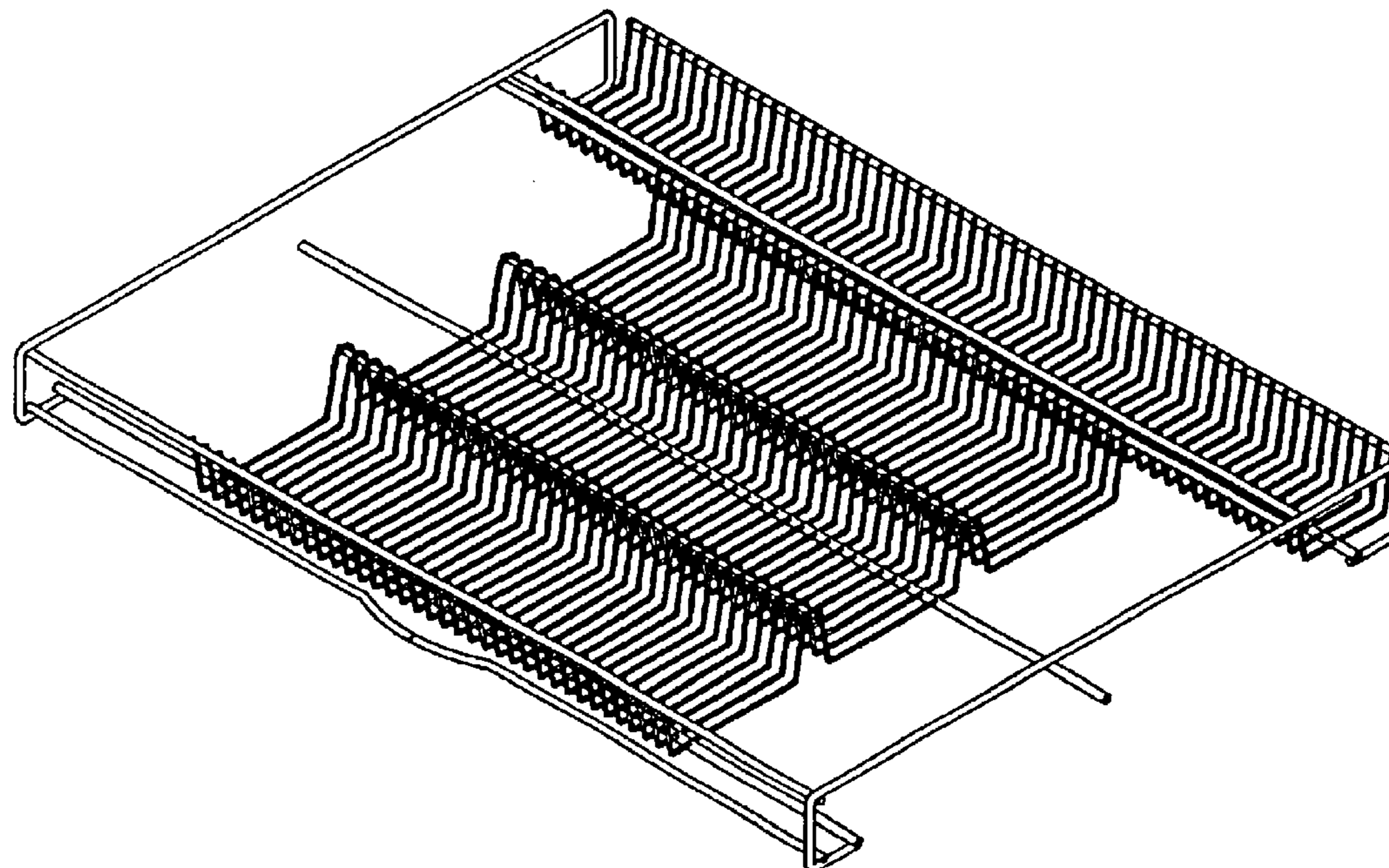


Fig. 3

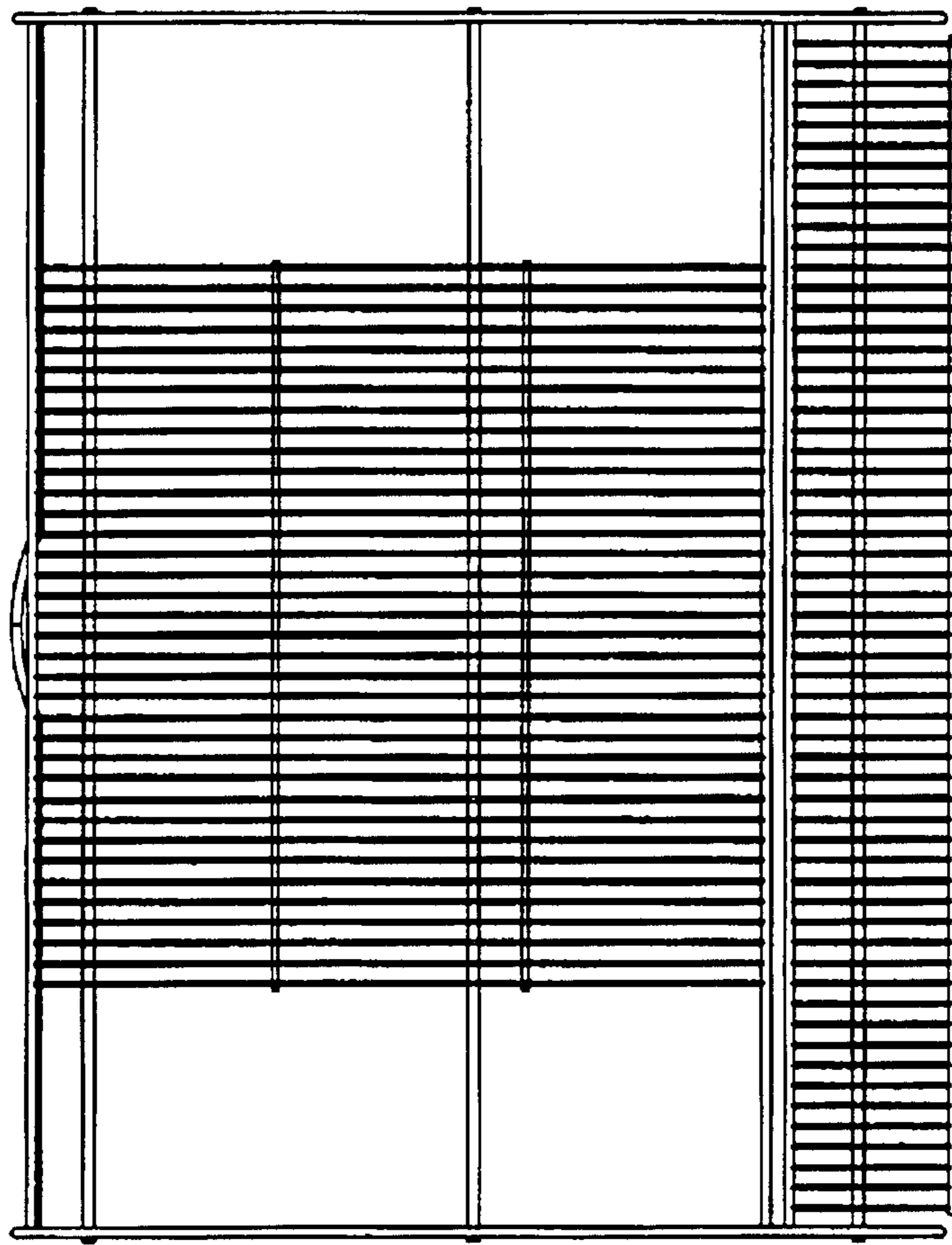
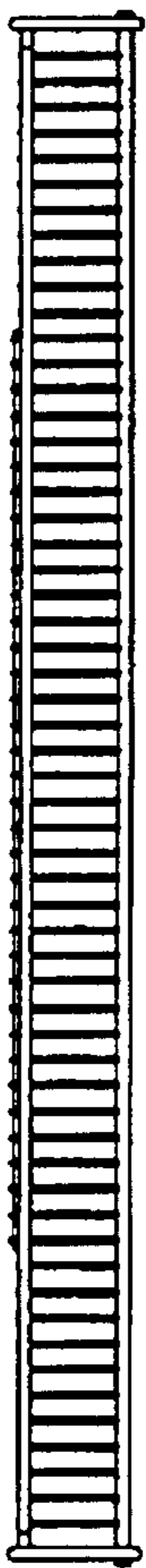


Fig. 4

Fig. 1

Fig. 5



Fig. 2

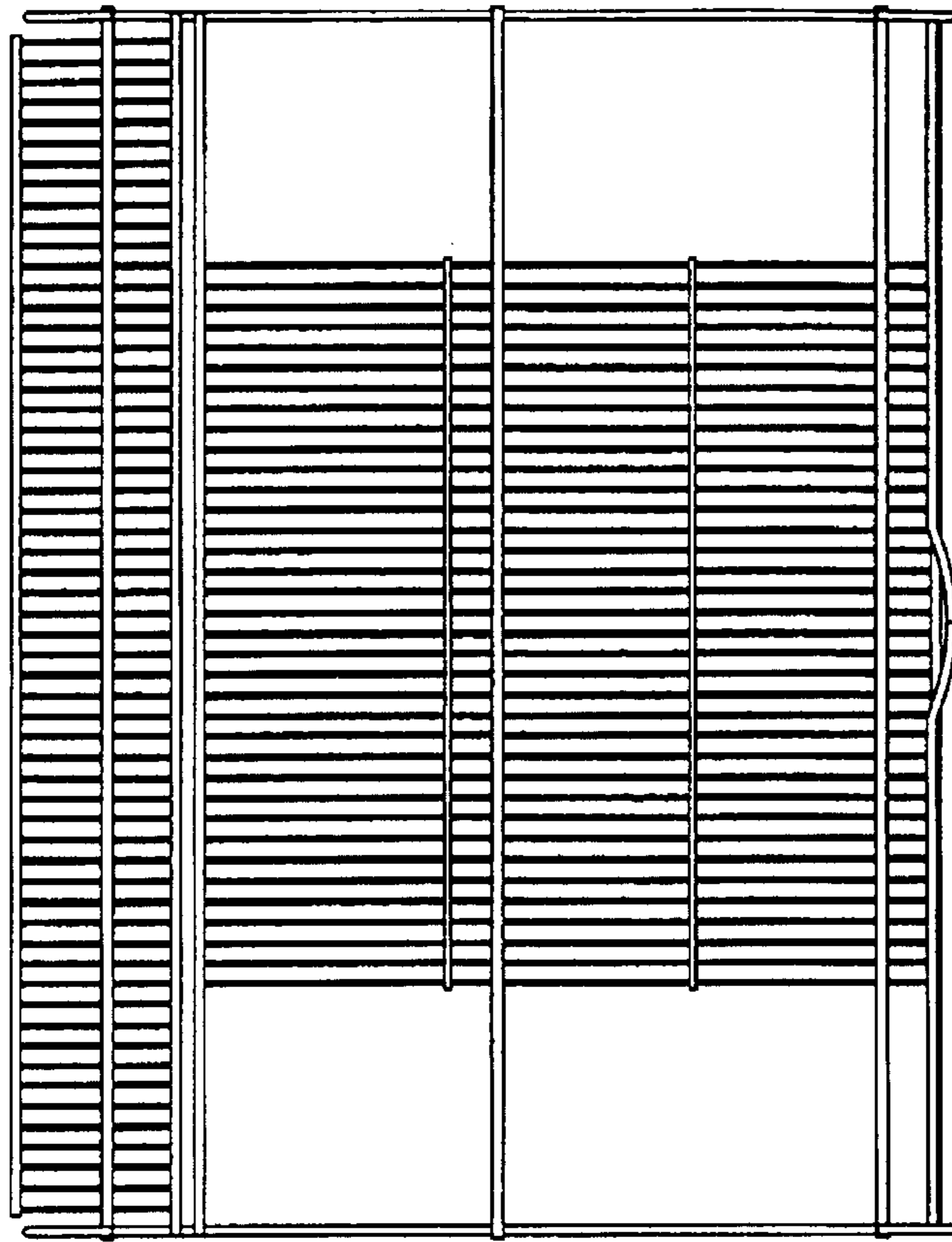


Fig. 6

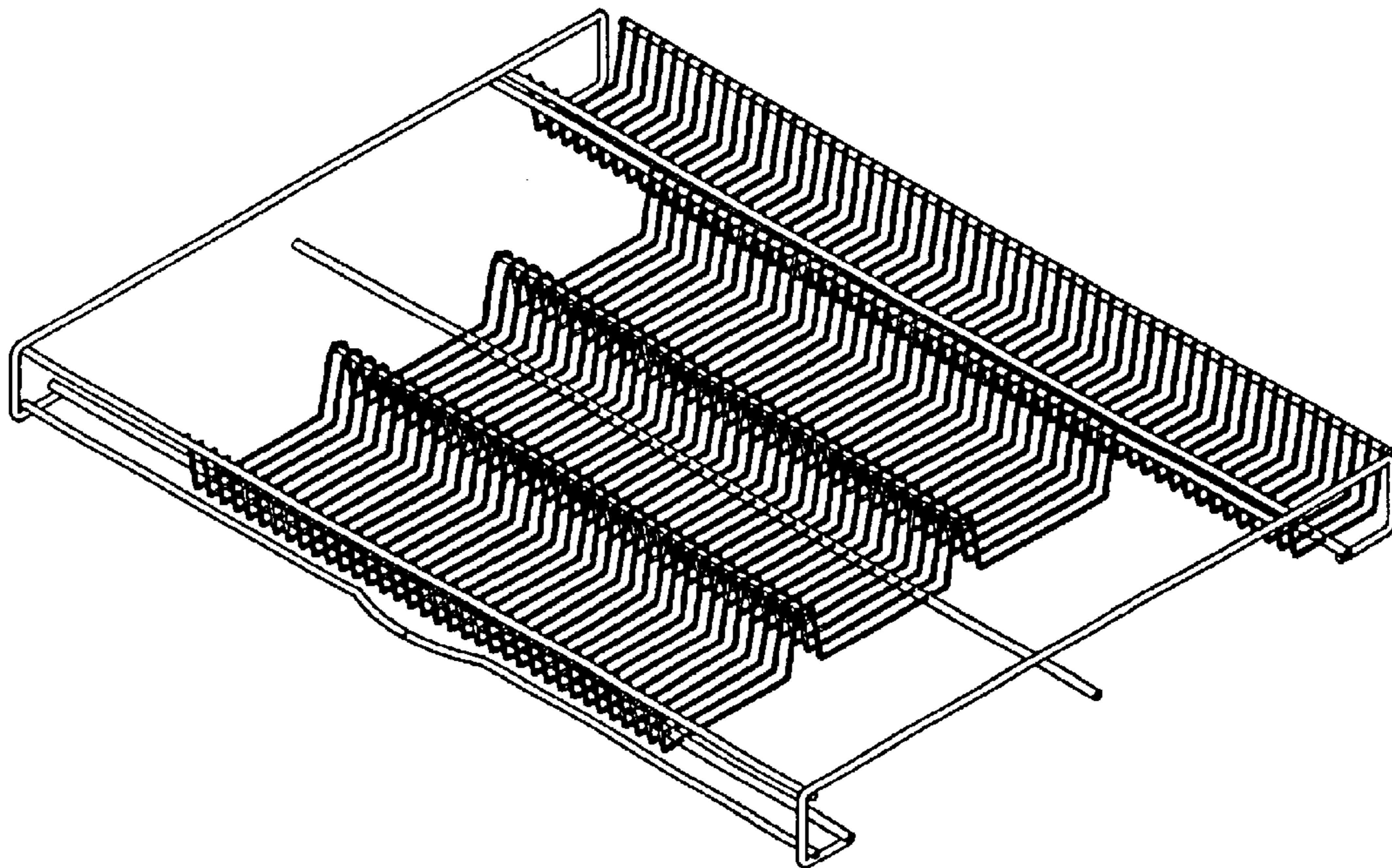


Fig. 7