



US00D495556S1

(12) **United States Design Patent** (10) **Patent No.:** **US D495,556 S**  
**Milrud et al.** (45) **Date of Patent:** **\*\* Sep. 7, 2004**

(54) **RANGE**

(75) Inventors: **Eduardo Milrud**, Cleveland Heights, OH (US); **Andrew Savant**, Santa Ana, CA (US); **Alan Mudd**, Beverly, MA (US); **Michel Arney**, Wellesley, MA (US)

(73) Assignee: **BSH Home Appliances Corporation**, Huntington Beach, CA (US)

(\*\*) Term: **14 Years**

(21) Appl. No.: **29/172,338**

(22) Filed: **Dec. 9, 2002**

(51) **LOC (7) Cl.** ..... **07-02**

(52) **U.S. Cl.** ..... **D7/405**

(58) **Field of Search** ..... D7/323, 396, 340, D7/405, 351, 337; 126/1 R, 190, 200, 350; D32/2-3, 6-8, 25; 68/3 R, 212; 34/523, 603, 109

(56) **References Cited**

**U.S. PATENT DOCUMENTS**

- D168,893 S 2/1953 Gustafson
- 3,926,171 A 12/1975 Kurek et al.
- D313,678 S \* 1/1991 Yamaguchi et al. .... D7/350 X
- D314,305 S 2/1991 Wright
- D374,372 S 10/1996 Holbrook, Jr.
- D377,853 S \* 2/1997 Sparks ..... D32/3
- 6,079,402 A \* 6/2000 Gort et al. .... 126/39 R
- D429,954 S \* 8/2000 Orzel et al. .... D7/405
- D460,841 S \* 7/2002 Richardson ..... D32/2

**OTHER PUBLICATIONS**

Sweets Home Building and Remodeling, vol. 13 Restaurants 1994, p. 4.

Sweets Home Building and Remodeling, vol. 2 Kitchens 1994, p. B-10.

Vulcan Brand Mini Catalog, Sep. 1986, p. 17.

\* cited by examiner

*Primary Examiner*—Louis S. Zarfaz

*Assistant Examiner*—Robert A Delehanty

(74) *Attorney, Agent, or Firm*—John Y. Winburn

(57) **CLAIM**

The ornamental design for a range, as shown and described.

**DESCRIPTION**

FIG. 1 is perspective view of a range showing the ornamental design according to our invention;

FIG. 2 is a front view of the range shown in FIG. 1;

FIG. 3 is a rear view of the range shown in FIGS. 1 and 2 establishing that the rear is unadorned;

FIG. 4 is a top plan view of the range shown in FIGS. 1-3;

FIG. 5 is a bottom view of the range shown in FIGS. 1-4;

FIG. 6 is a right side view of the range shown in FIGS. 1-5, and is a typical, mirror image of the left side view;

FIG. 7 is a perspective view similar to FIG. 1 but showing a modified range with the ornamental design;

FIG. 8 is a front view of the range shown in FIG. 7;

FIG. 9 is a rear view of the range shown in FIGS. 7 and 8 showing the rear to be unadorned;

FIG. 10 is a top plan view of the range shown in FIGS. 7-9;

FIG. 11 is a bottom view of the range shown in FIGS. 7-10;

FIG. 12 is a right side view of the range shown in FIGS. 7-11, and is a typical, mirror image of the left side view;

FIG. 13 is a perspective view of the modified embodiment of a range including the ornamental design;

FIG. 14 is a front view of the range shown in FIG. 13;

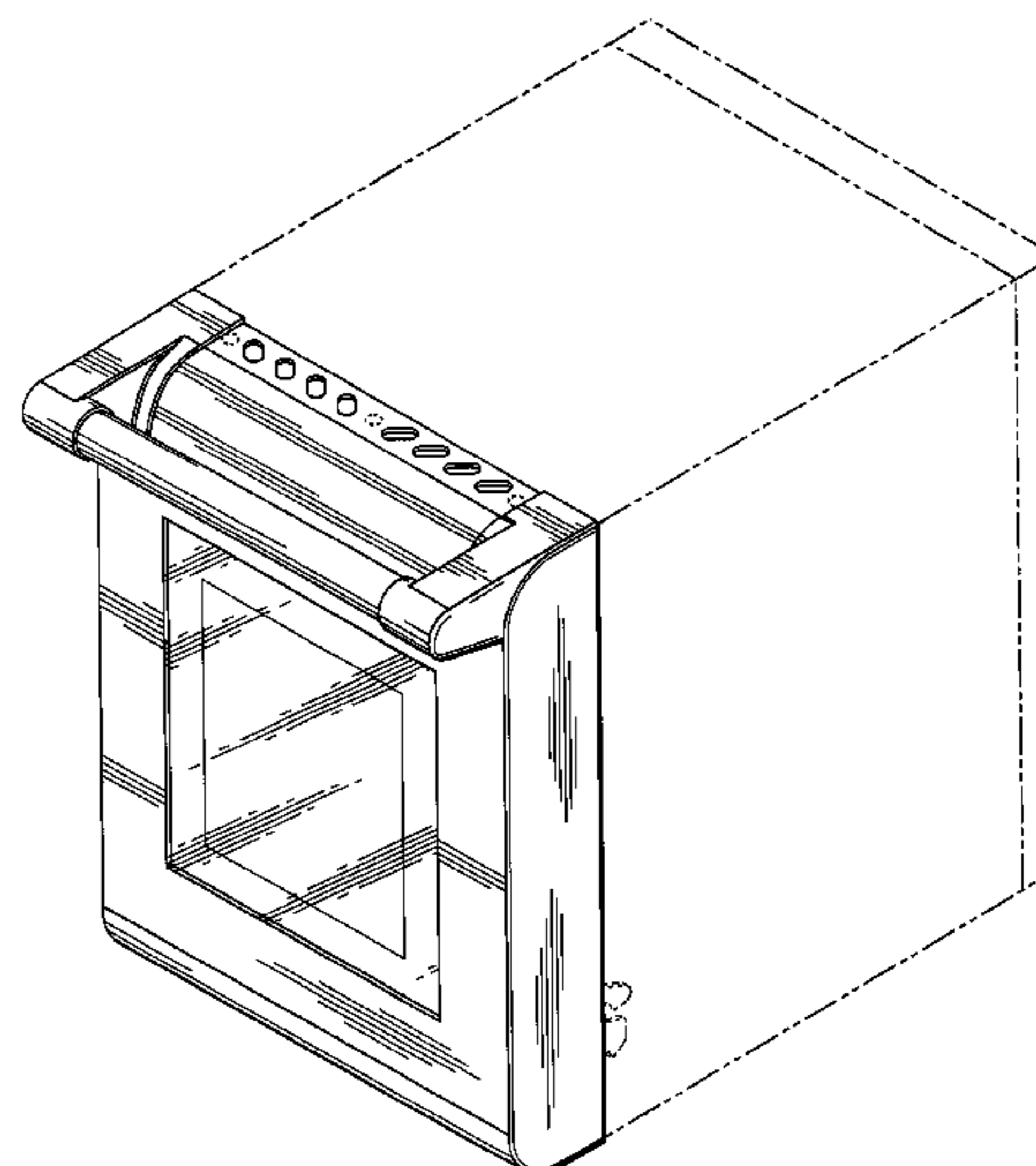
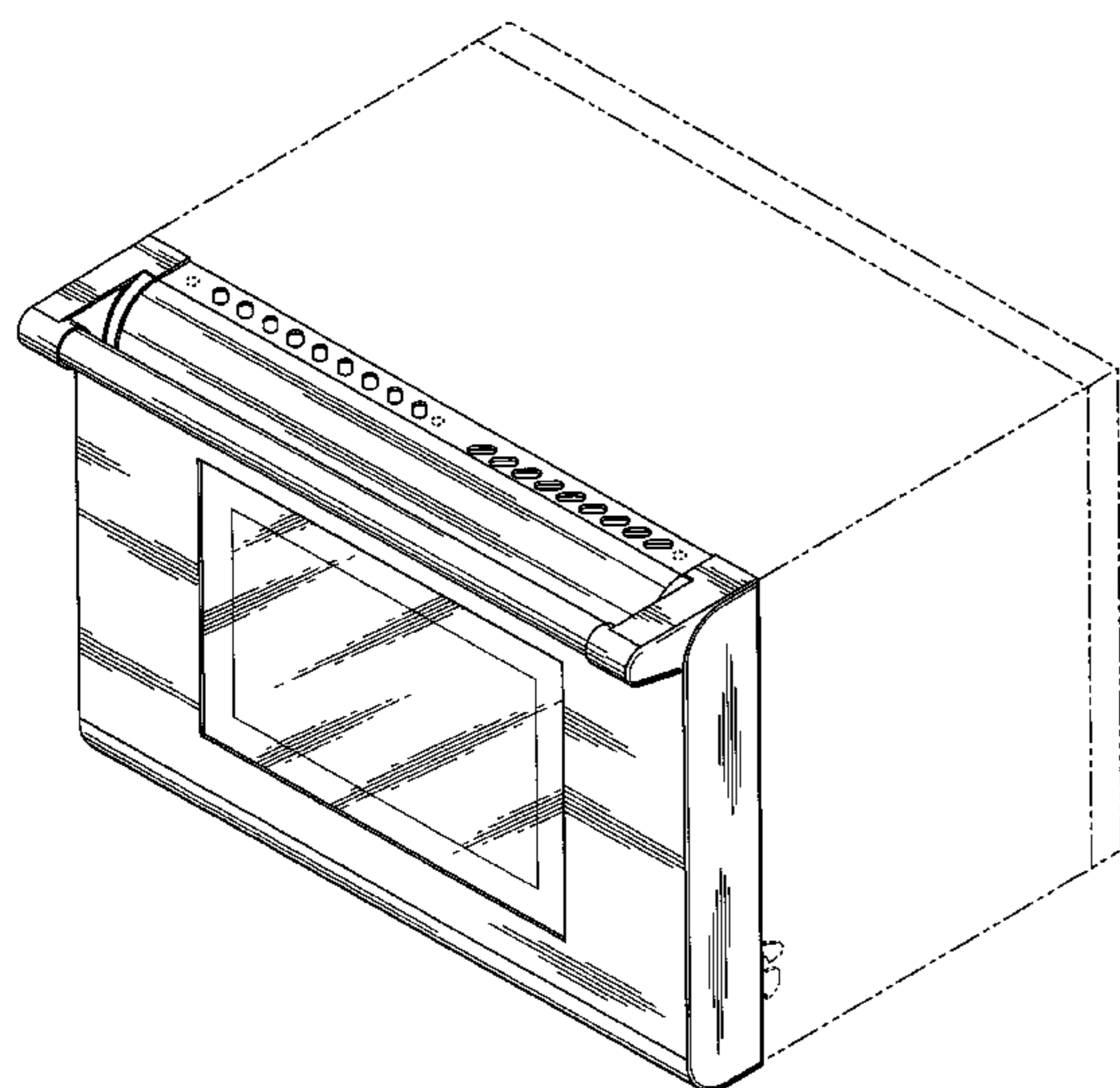
FIG. 15 is a rear view of the range showing that the rear is unadorned;

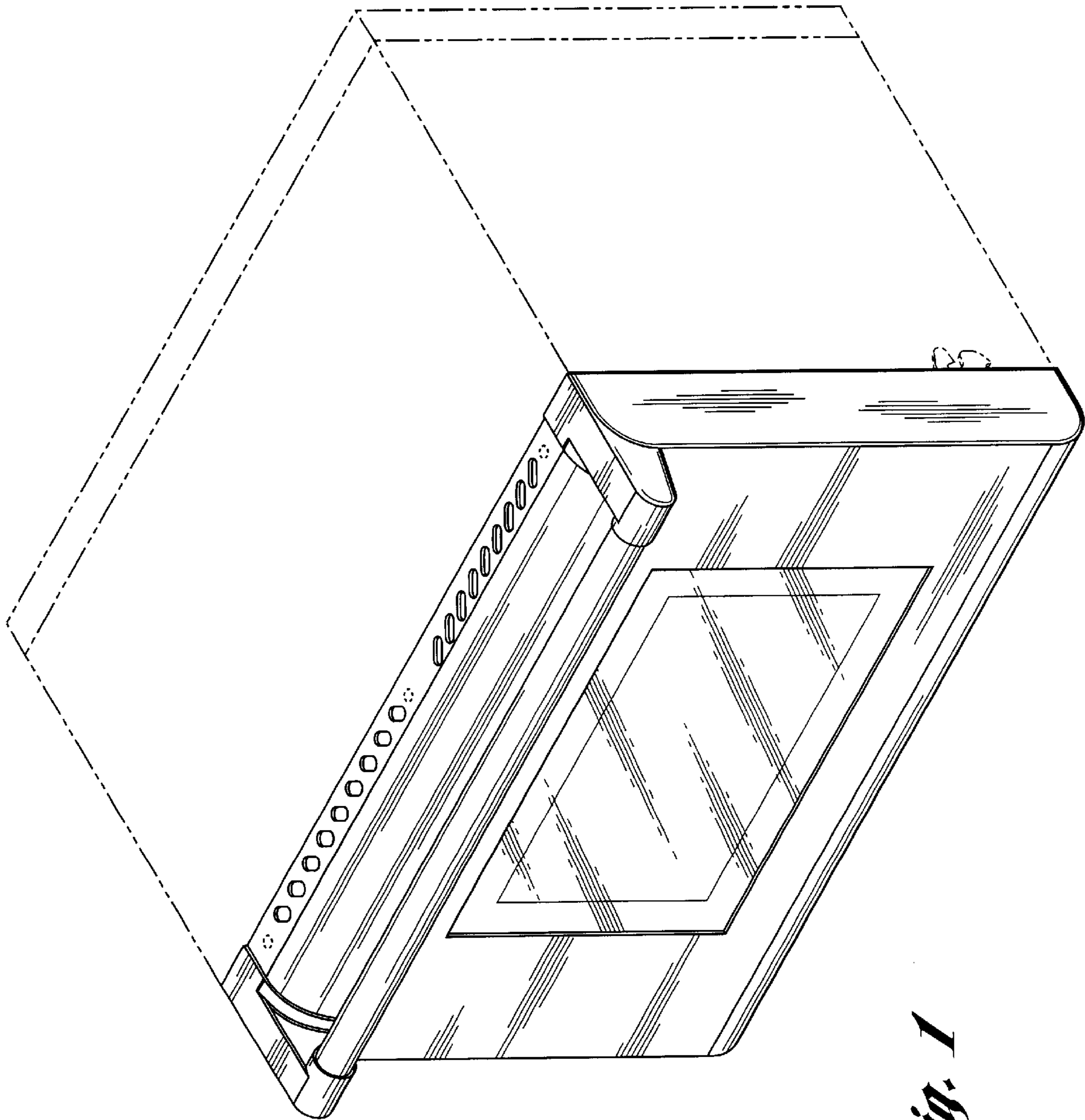
FIG. 16 is a top plan view of the range shown in FIGS. 13-15;

FIG. 17 is a bottom view of the range shown in FIGS. 13-16; and,

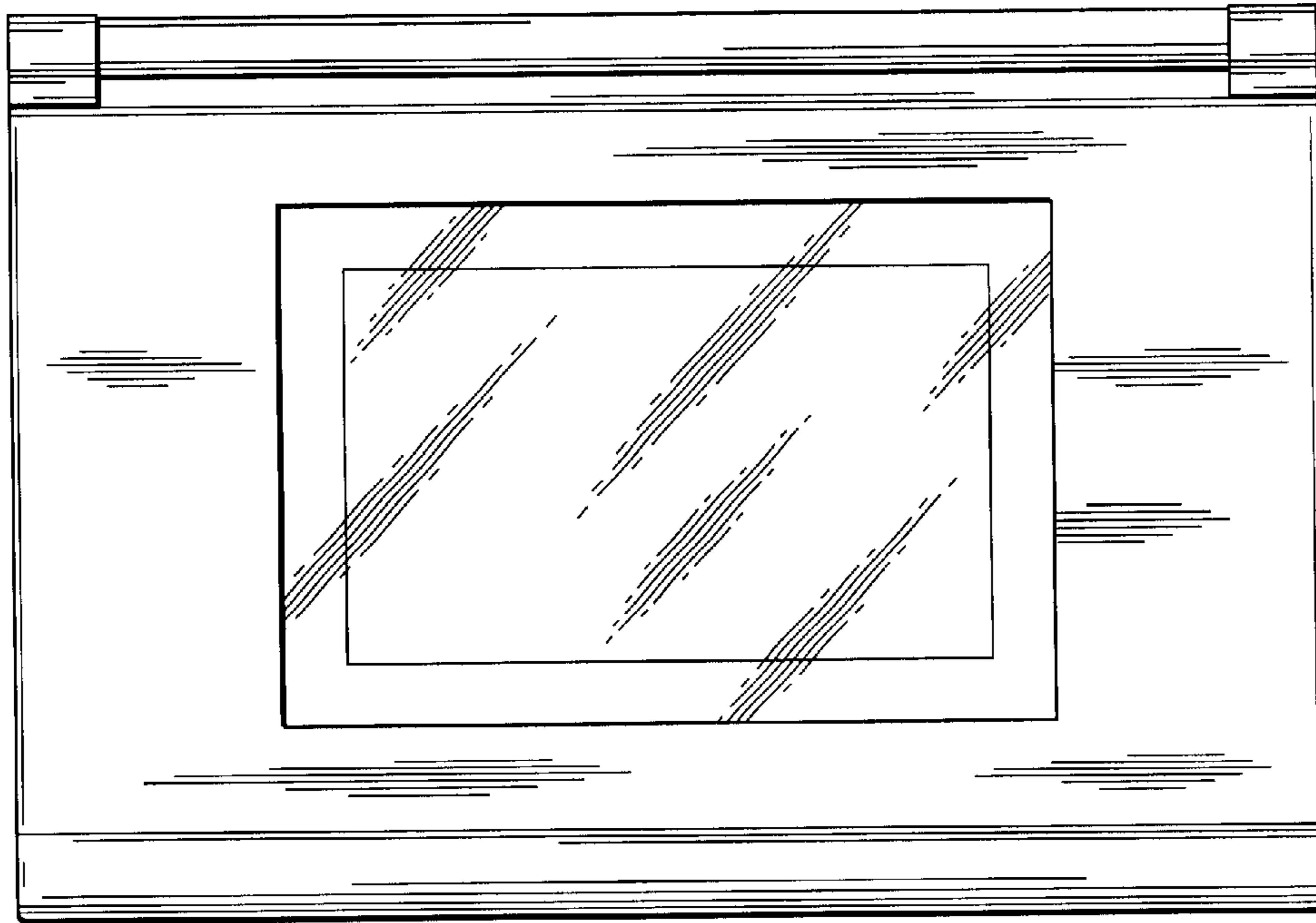
FIG. 18 is a right side view of the range shown in FIGS. 13-17, and is a typical, mirror image of the left side view.

**1 Claim, 9 Drawing Sheets**

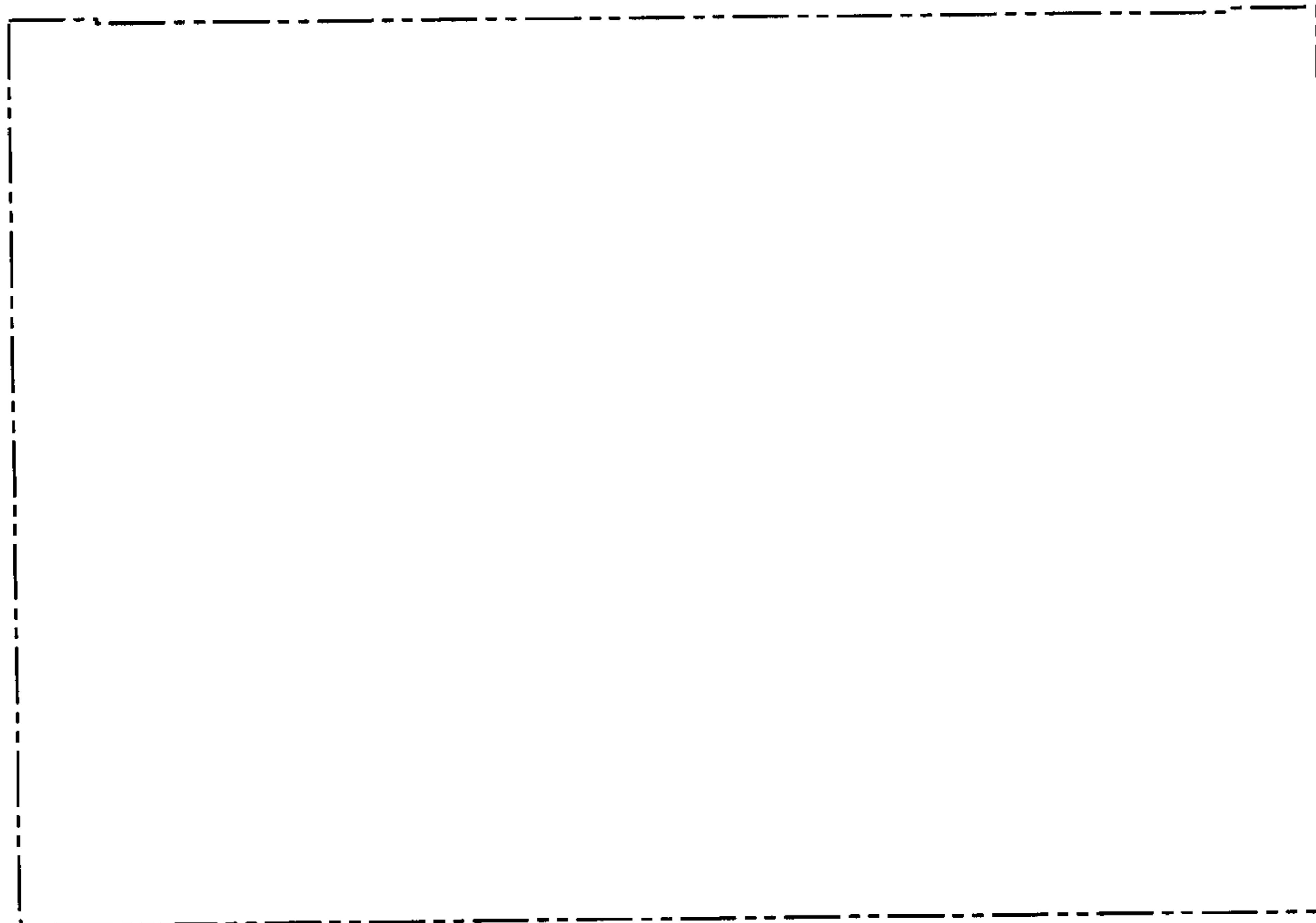




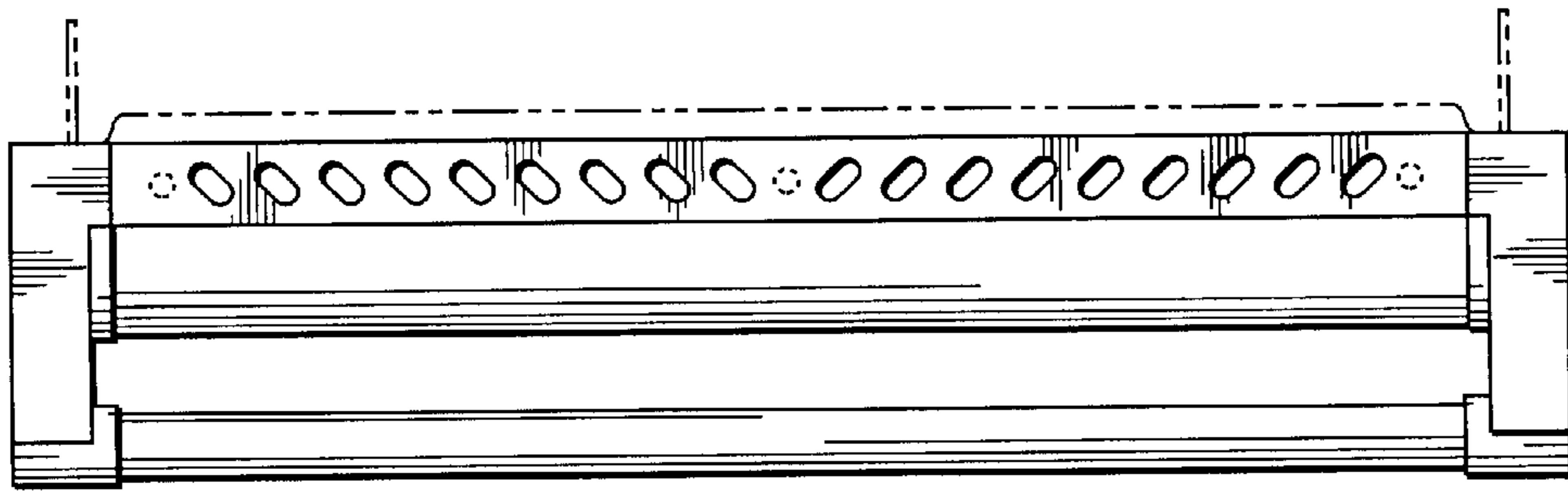
*Fig. 1*



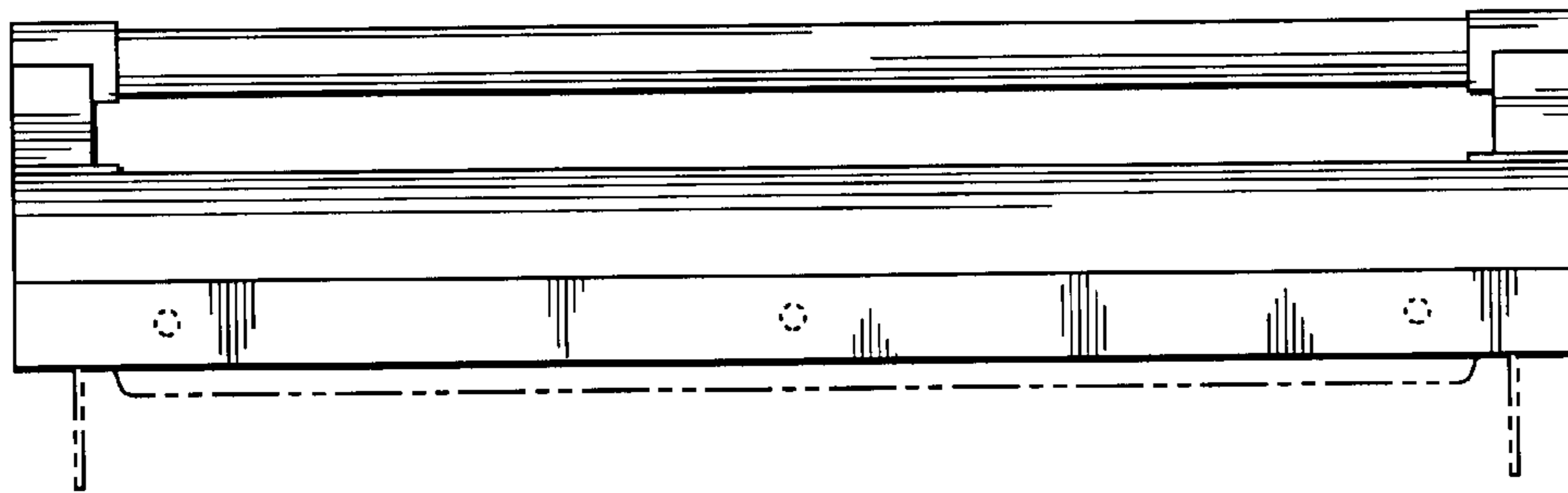
*Fig. 2*



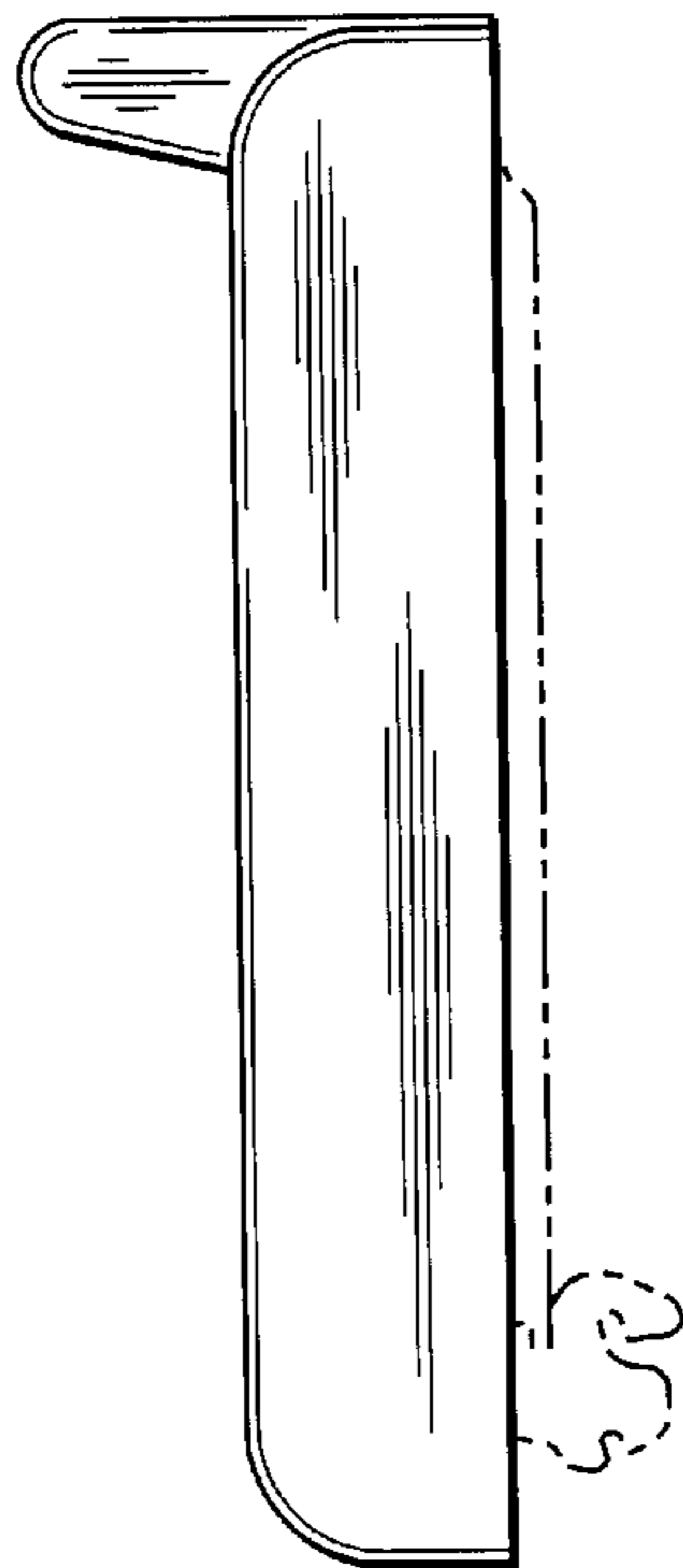
*Fig. 3*



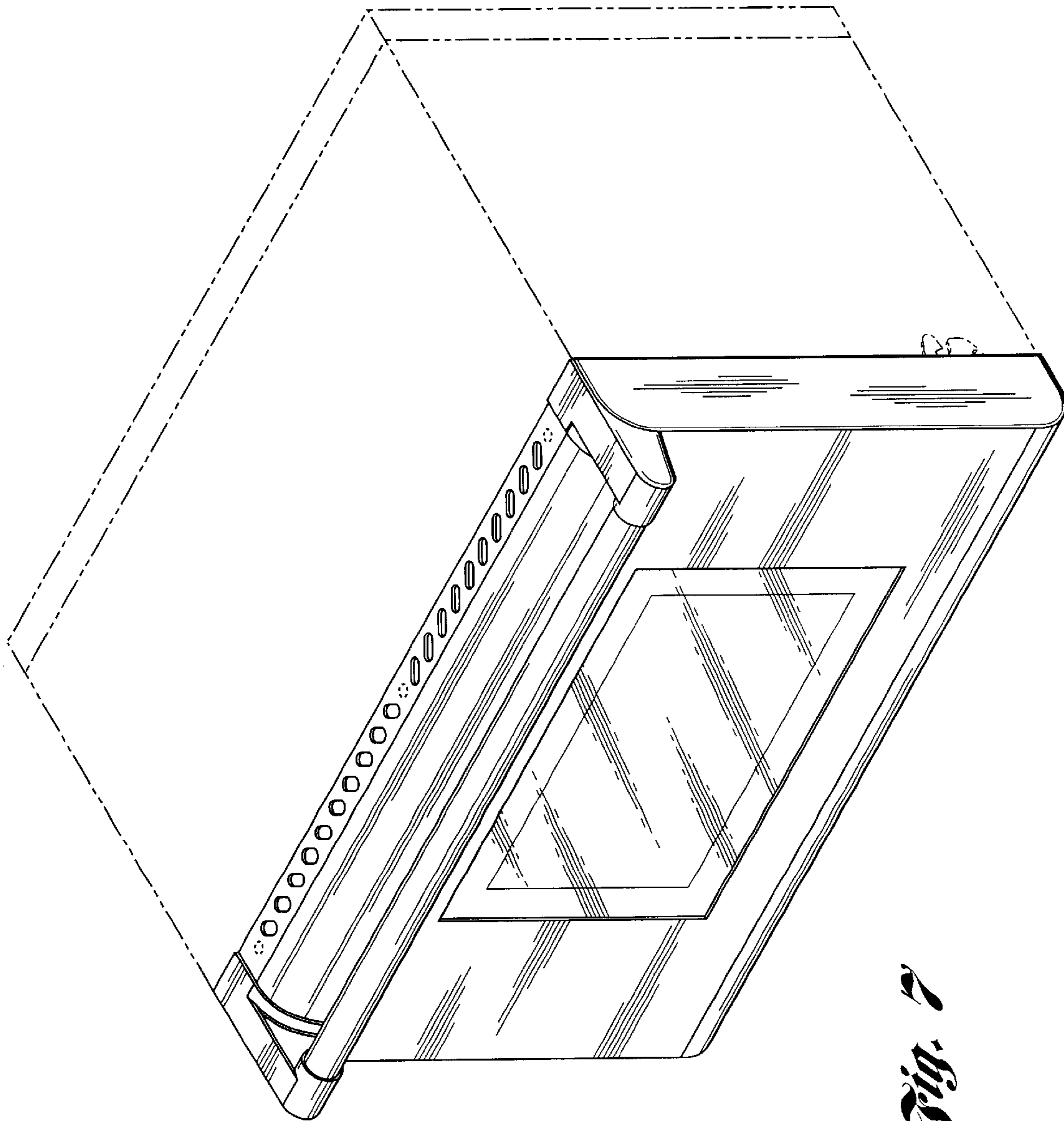
*Fig. 4*



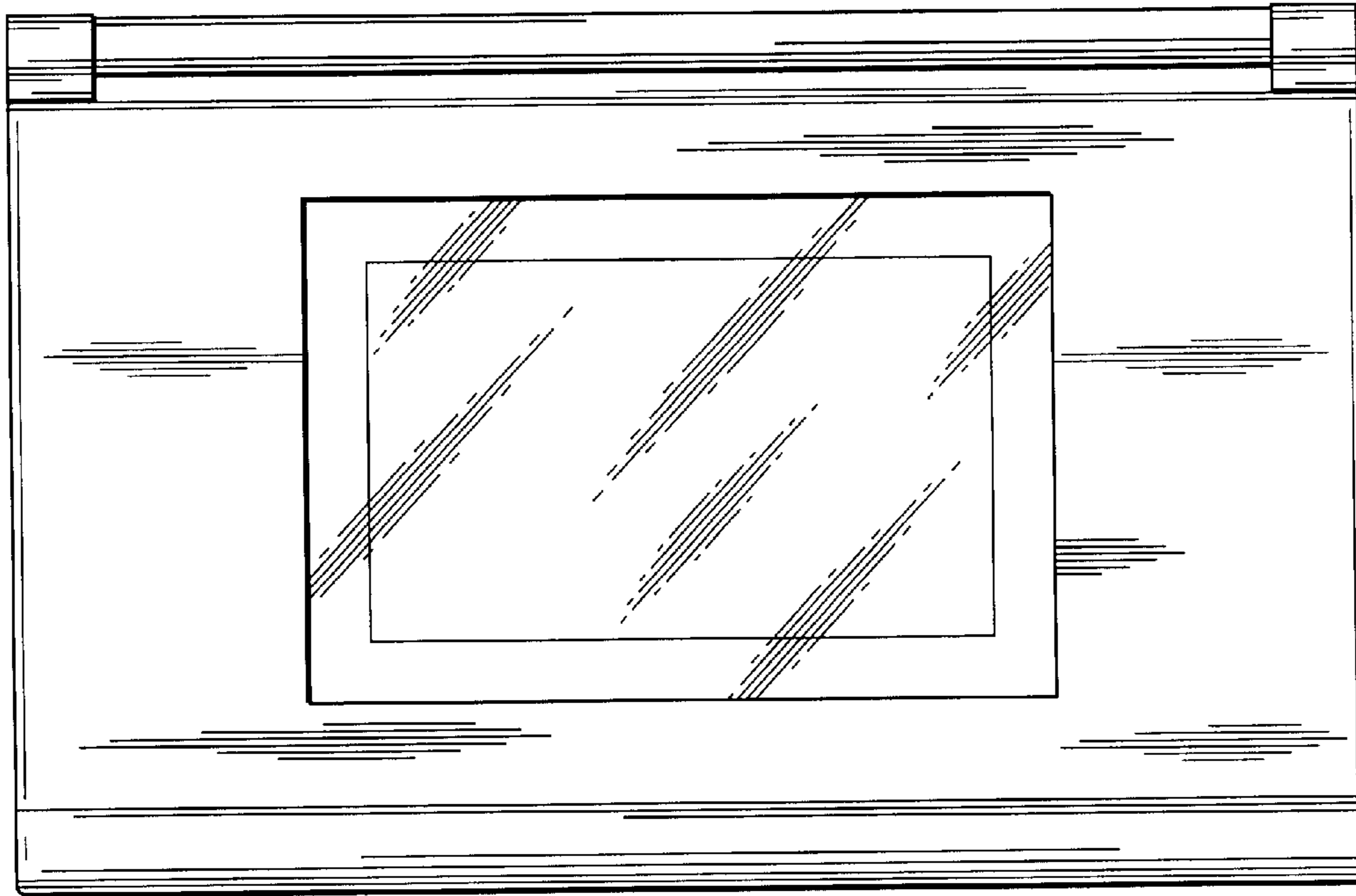
*Fig. 5*



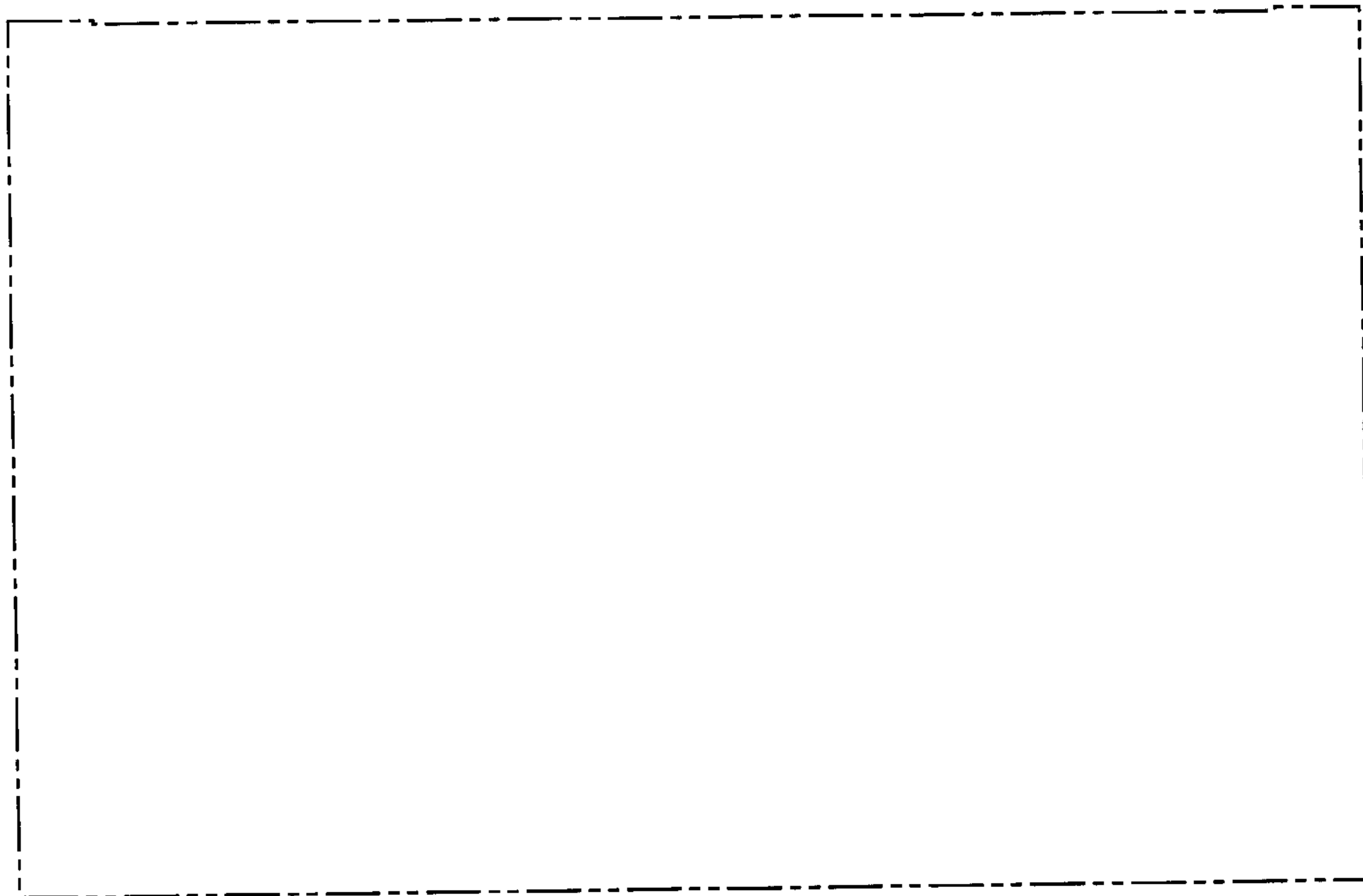
*Fig. 6*



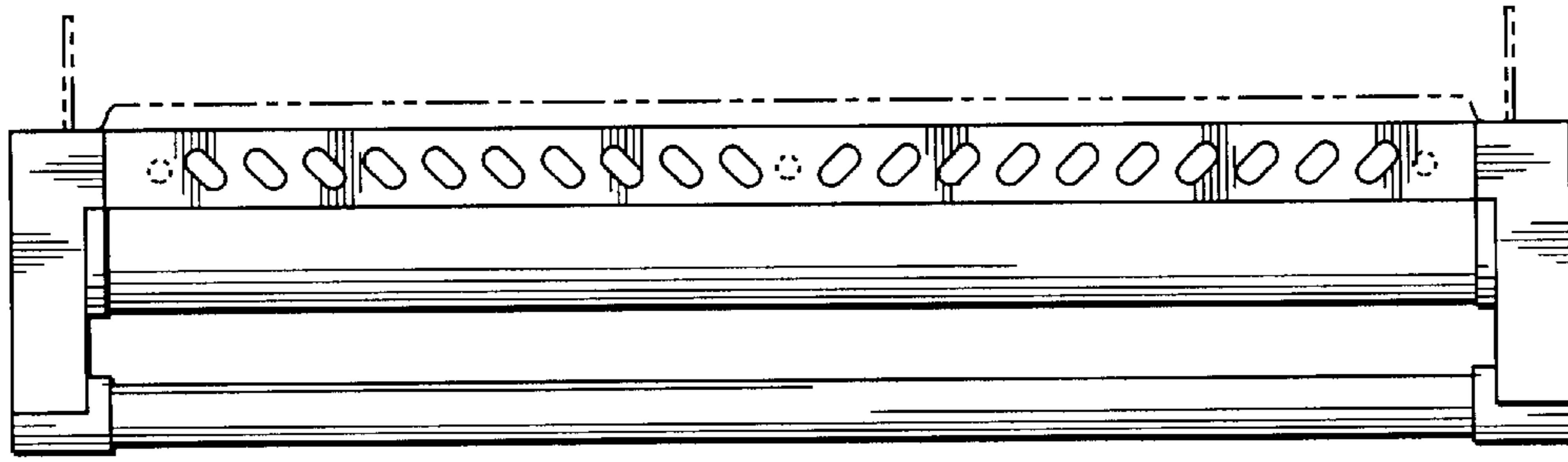
*Fig. 7*



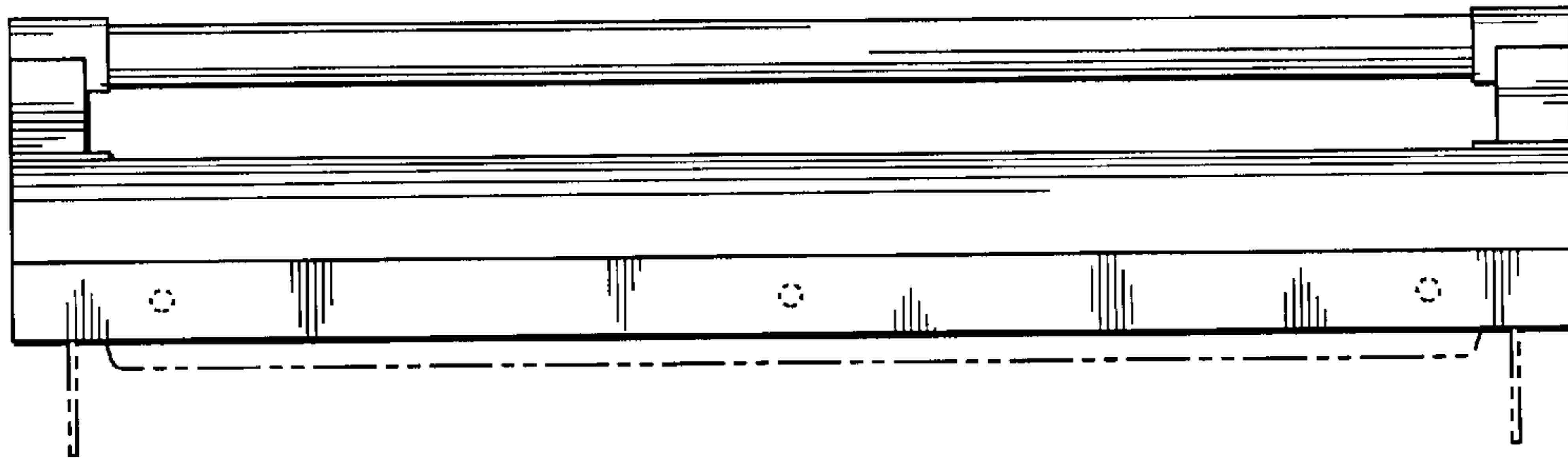
*Fig. 8*



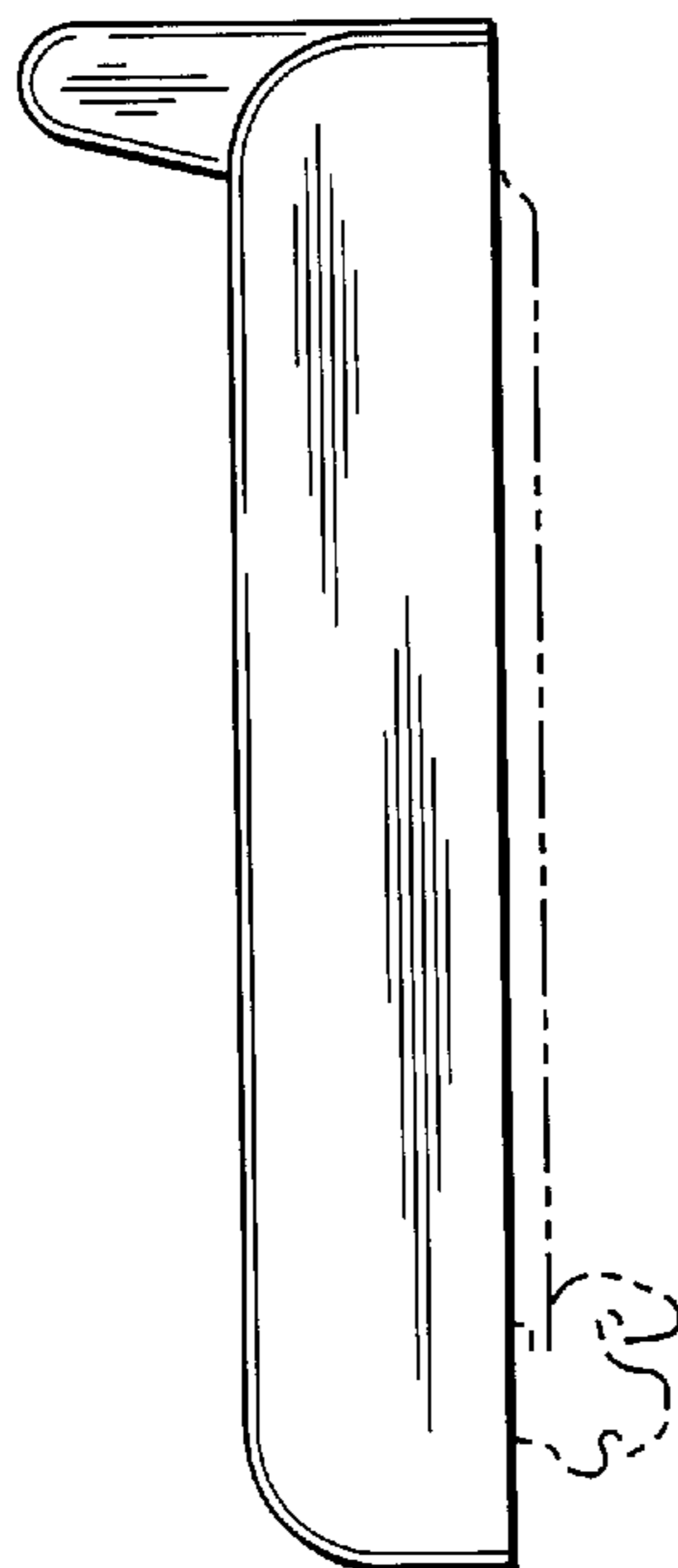
*Fig. 9*



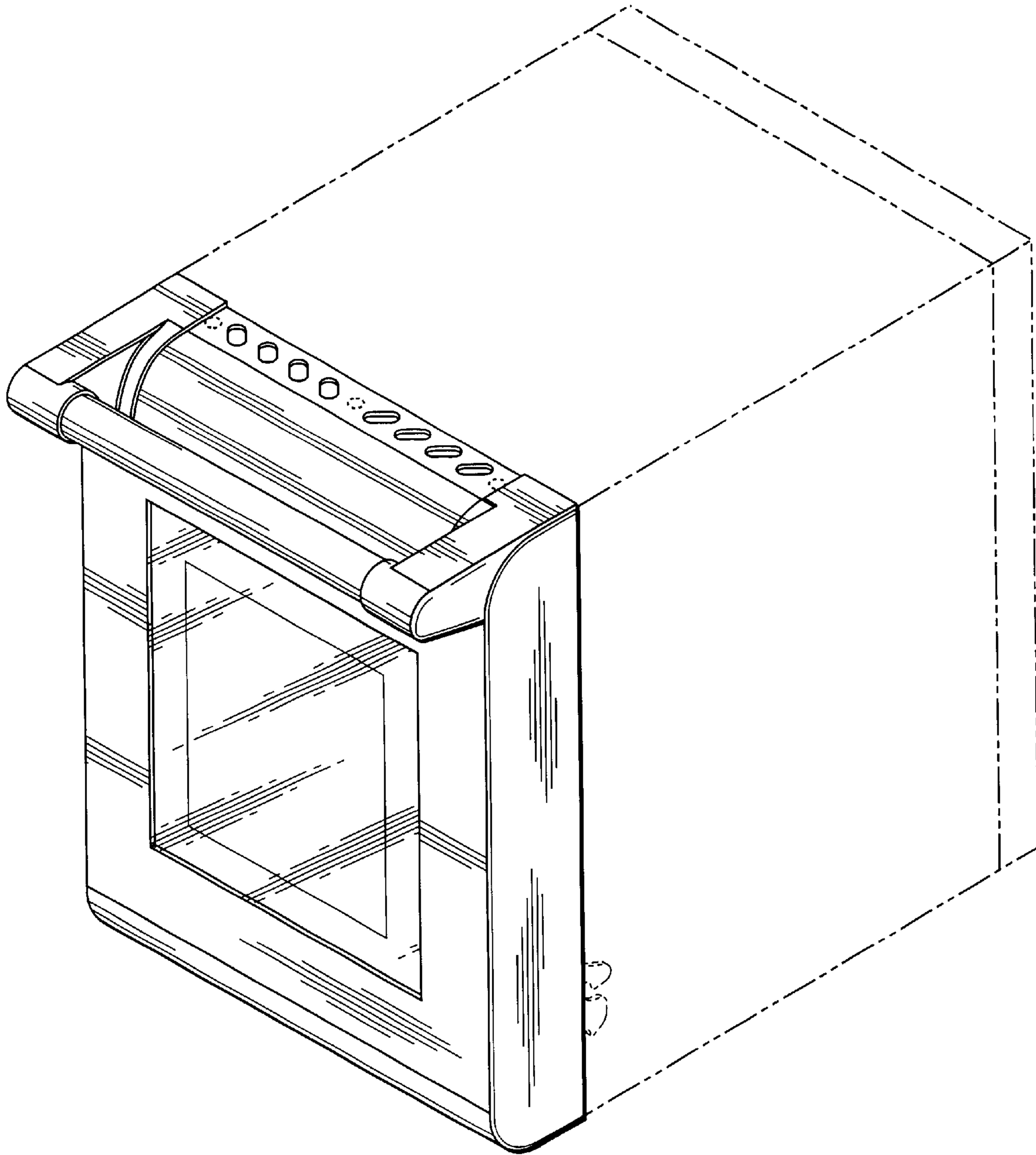
*Fig. 10*



*Fig. 11*

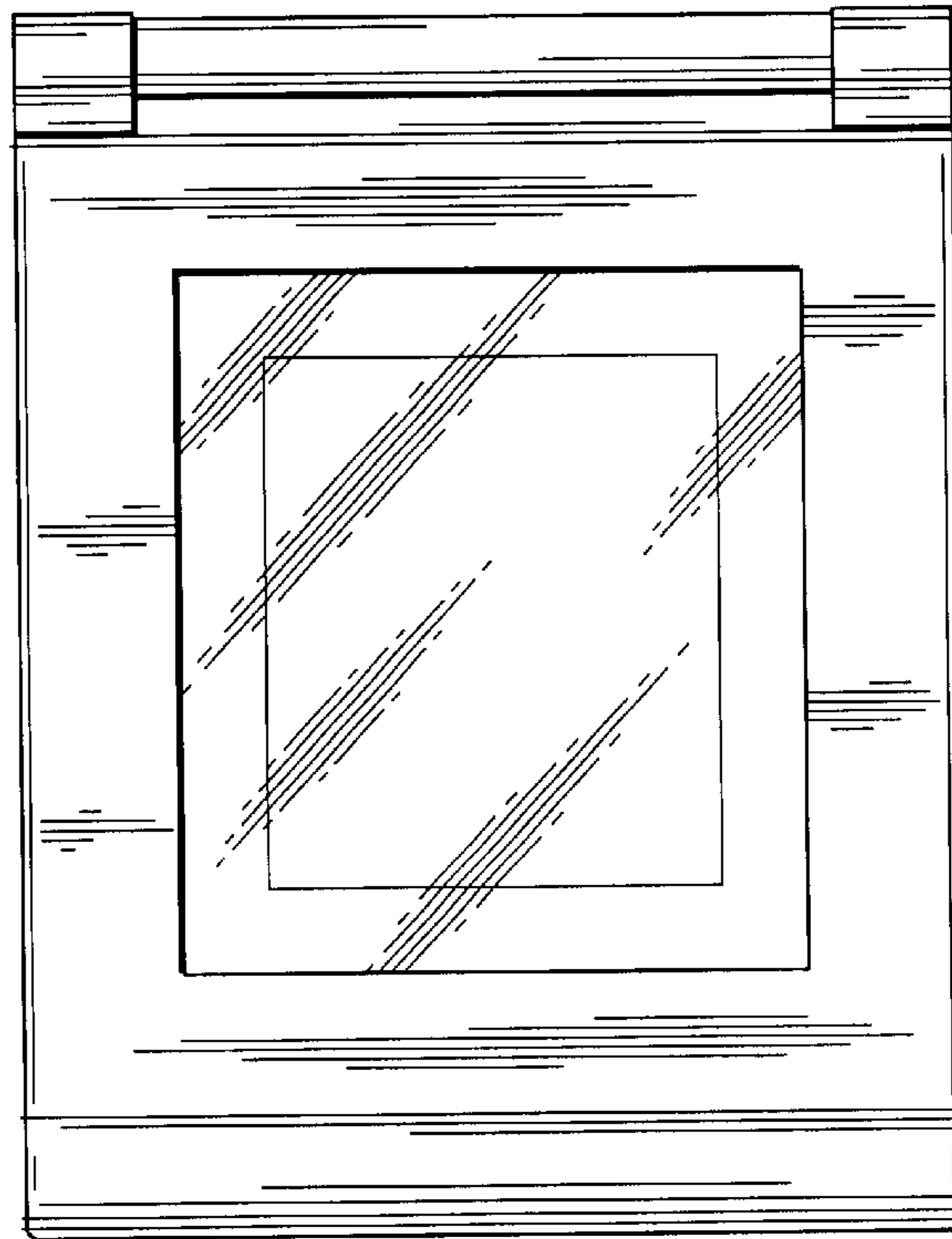


*Fig. 12*

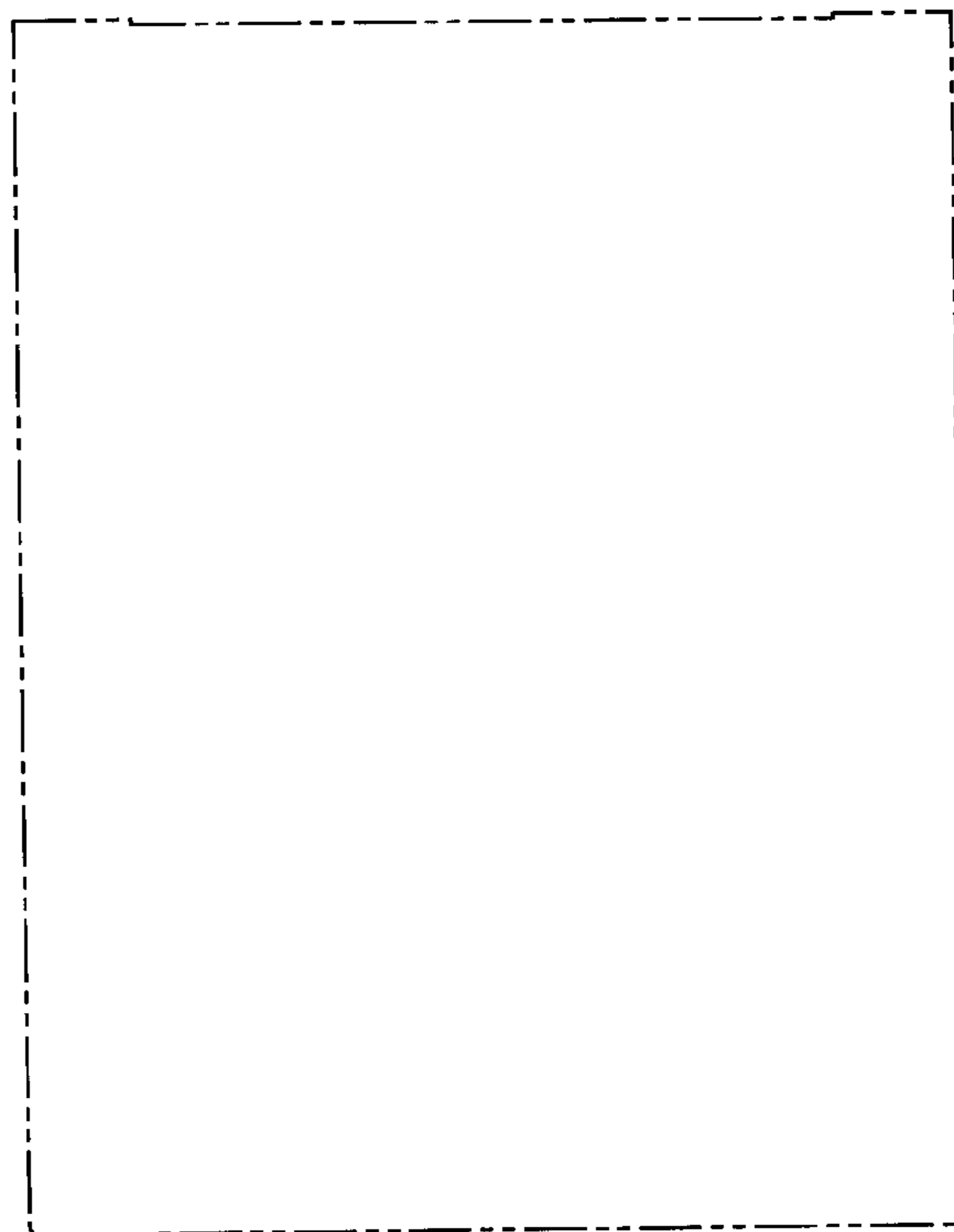


*Fig. 13*

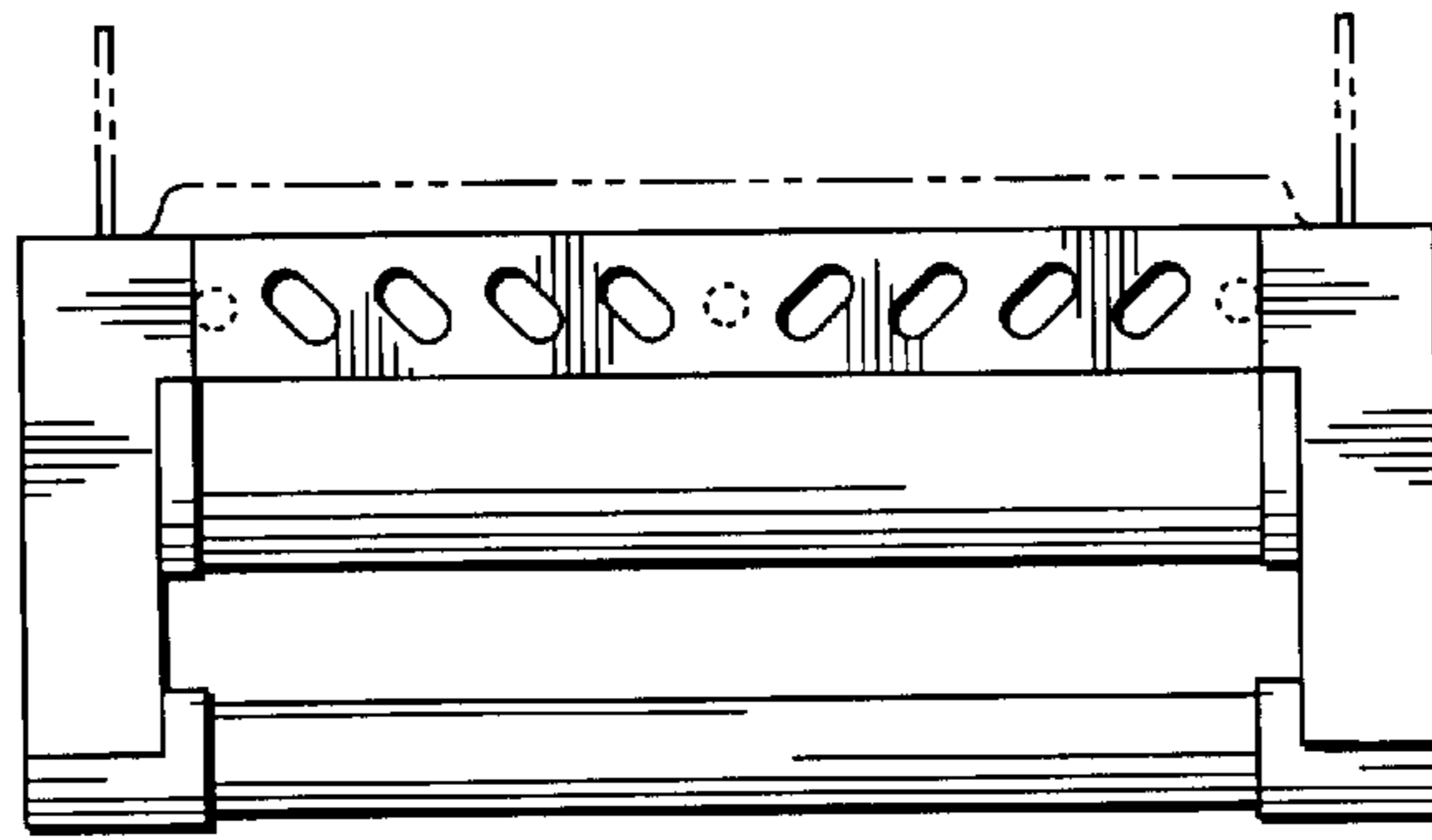




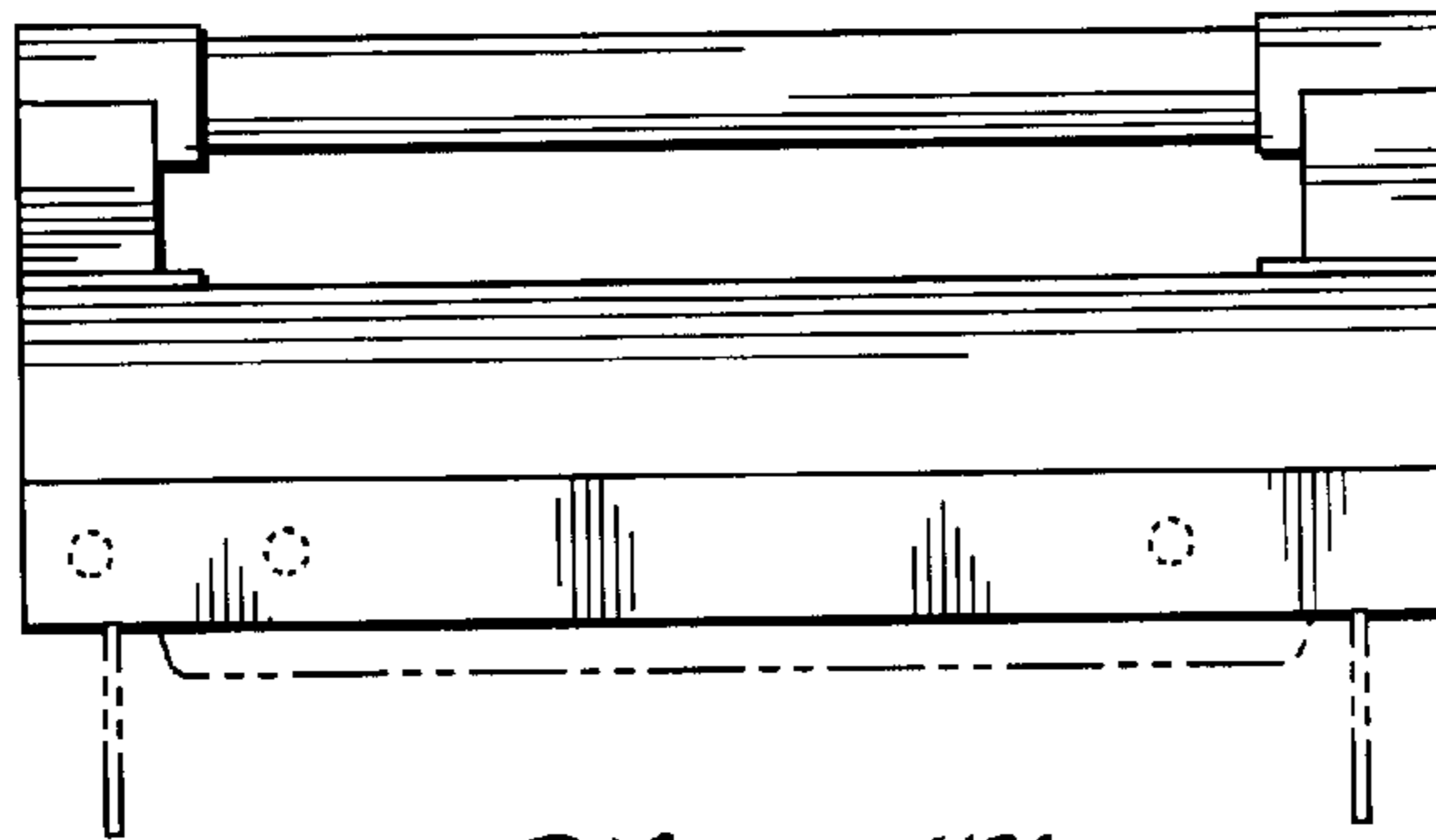
*Fig. 14*



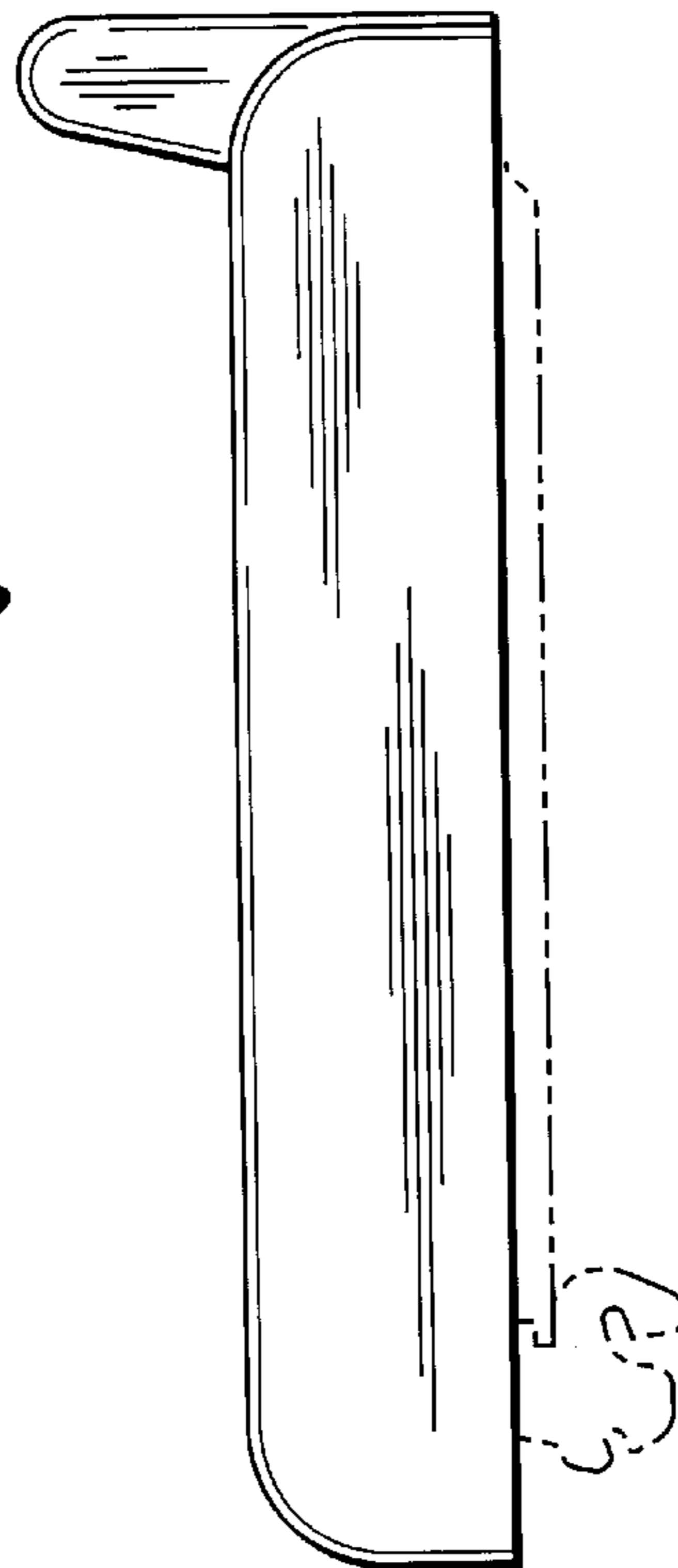
*Fig. 15*



*Fig. 16*



*Fig. 17*



*Fig. 18*