

US00D495554S1

(12) **United States Design Patent**
Tse

(10) **Patent No.:** **US D495,554 S**

(45) **Date of Patent:** **** Sep. 7, 2004**

(54) **LEG FOR CHAFING DISH**

(75) **Inventor:** **Shu Tse, Kowloon (CN)**

(73) **Assignee:** **Chekiang Metalware Factory
Company Limited, Kowloon (CN)**

(**) **Term:** **14 Years**

(21) **Appl. No.:** **29/192,517**

(22) **Filed:** **Oct. 24, 2003**

(30) **Foreign Application Priority Data**

Jul. 4, 2003 (HK) 0311024.6M003

(51) **LOC (7) Cl.** **07-99**

(52) **U.S. Cl.** **D7/388; D7/403**

(58) **Field of Search** D7/355, 403, 388,
D7/387, 396.1, 396.6; 99/419; 108/153.1,
156, 157.1, 161; 248/188, 188.1; 297/451.2;
D6/495

(56) **References Cited**

U.S. PATENT DOCUMENTS

- D278,012 S * 3/1985 Doerner D6/495
- D318,975 S * 8/1991 Thurlow D7/355
- D386,331 S * 11/1997 Grosfillex D6/495
- D401,805 S * 12/1998 Benz D7/355

- D401,806 S * 12/1998 Benz D7/355
- D426,103 S * 6/2000 Briner D7/355
- D437,181 S * 2/2001 Park D7/355
- D455,302 S * 4/2002 Minami D6/495
- D488,343 S * 4/2004 Tse D7/355

* cited by examiner

Primary Examiner—M. N. Pandozzi

(74) *Attorney, Agent, or Firm*—Alix, Yale & Ristas, LLP

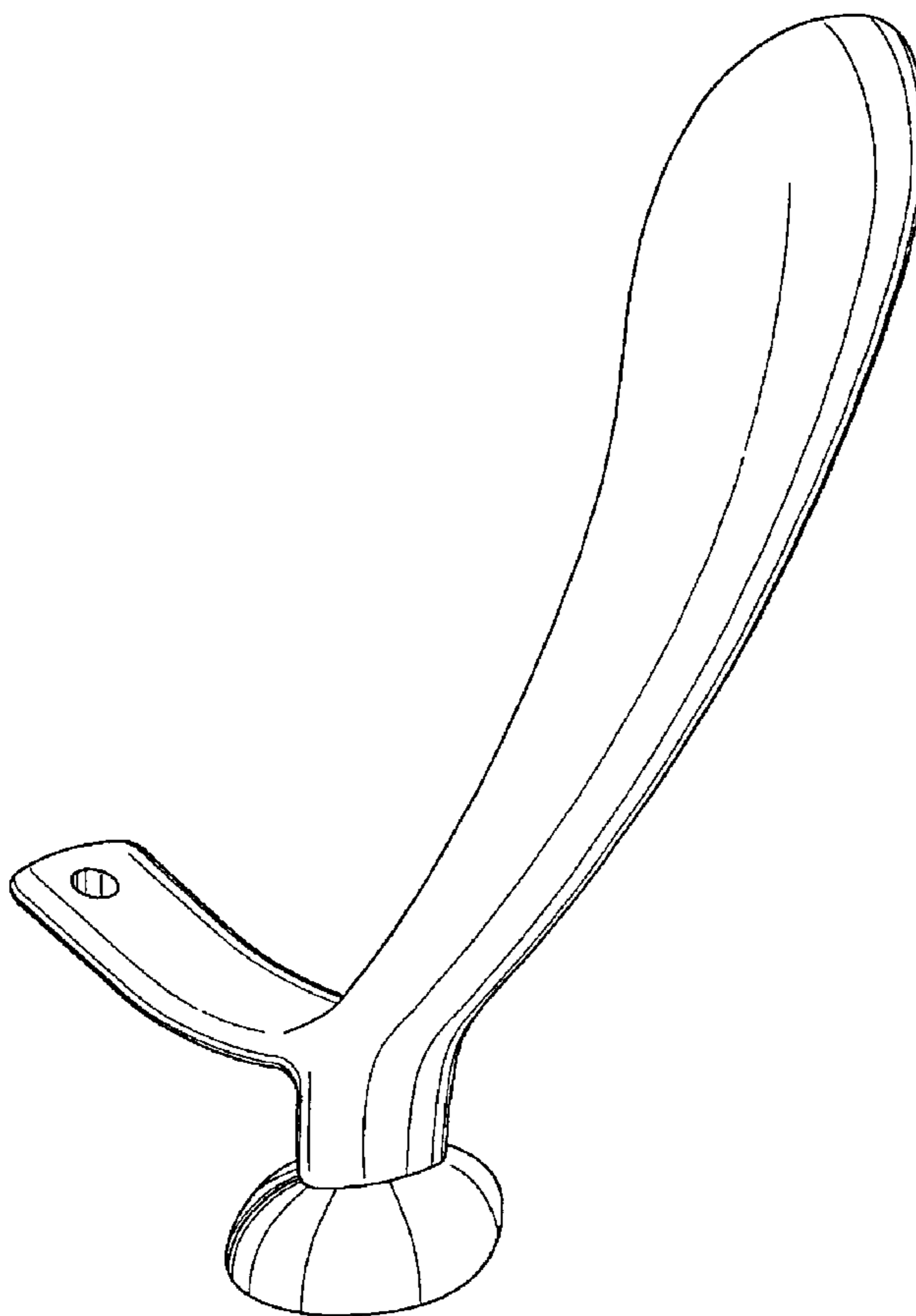
(57) **CLAIM**

The ornamental design for a leg for chafing dish, as shown and described.

DESCRIPTION

FIG. 1 is a front perspective view of a leg for chafing dish showing my new design;
 FIG. 2 is a front elevational view thereof;
 FIG. 3 is a rear elevational view thereof;
 FIG. 4 is a left side elevational view thereof;
 FIG. 5 is a right side elevational view thereof,
 FIG. 6 is a top plan view thereof;
 FIG. 7 is a bottom plan view thereof; and,
 FIG. 8 is a perspective view in use condition.
 The broken lines in FIG. 8 are for illustrative purposes only and form no part of the claimed design.

1 Claim, 6 Drawing Sheets



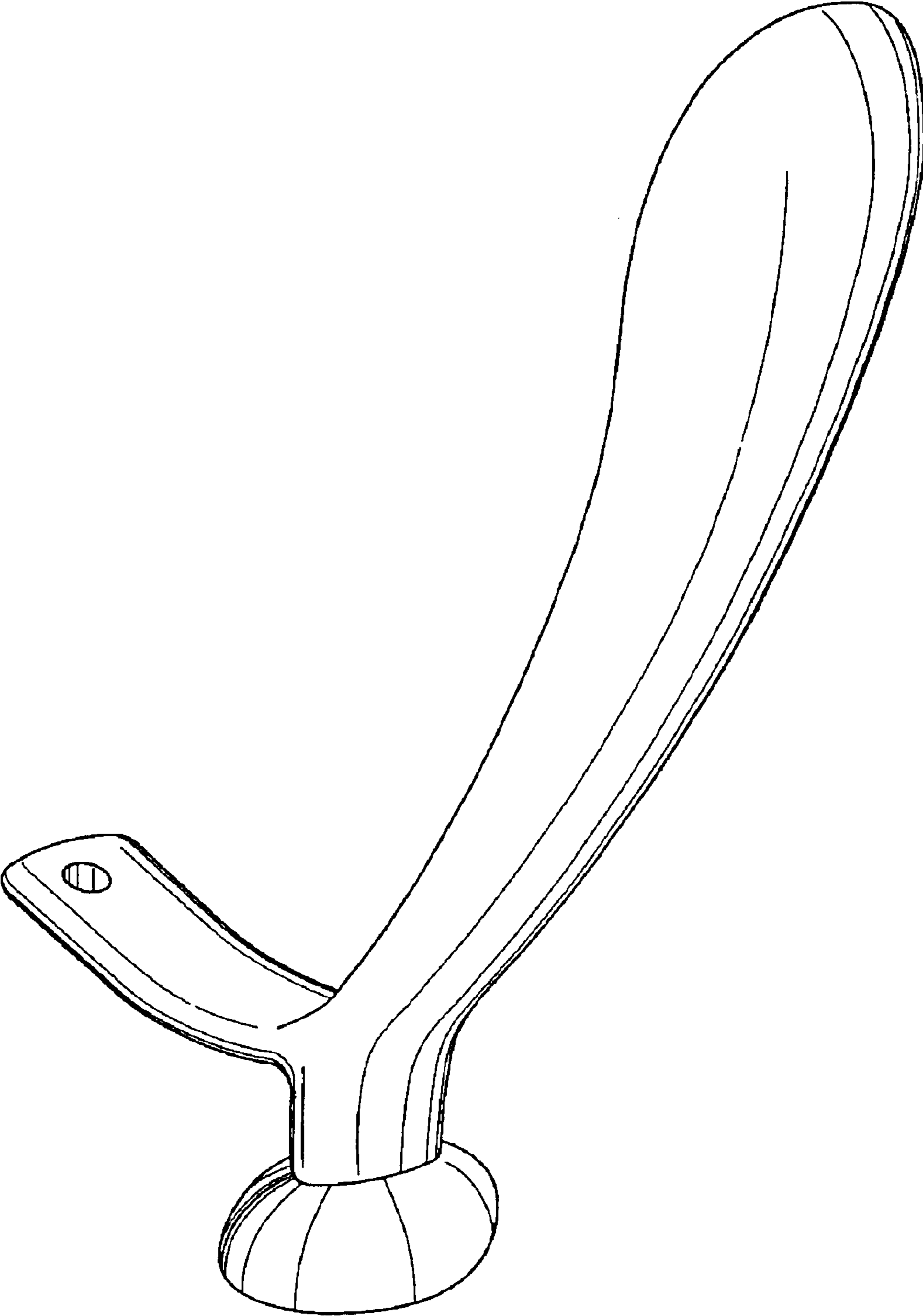


FIG. 1

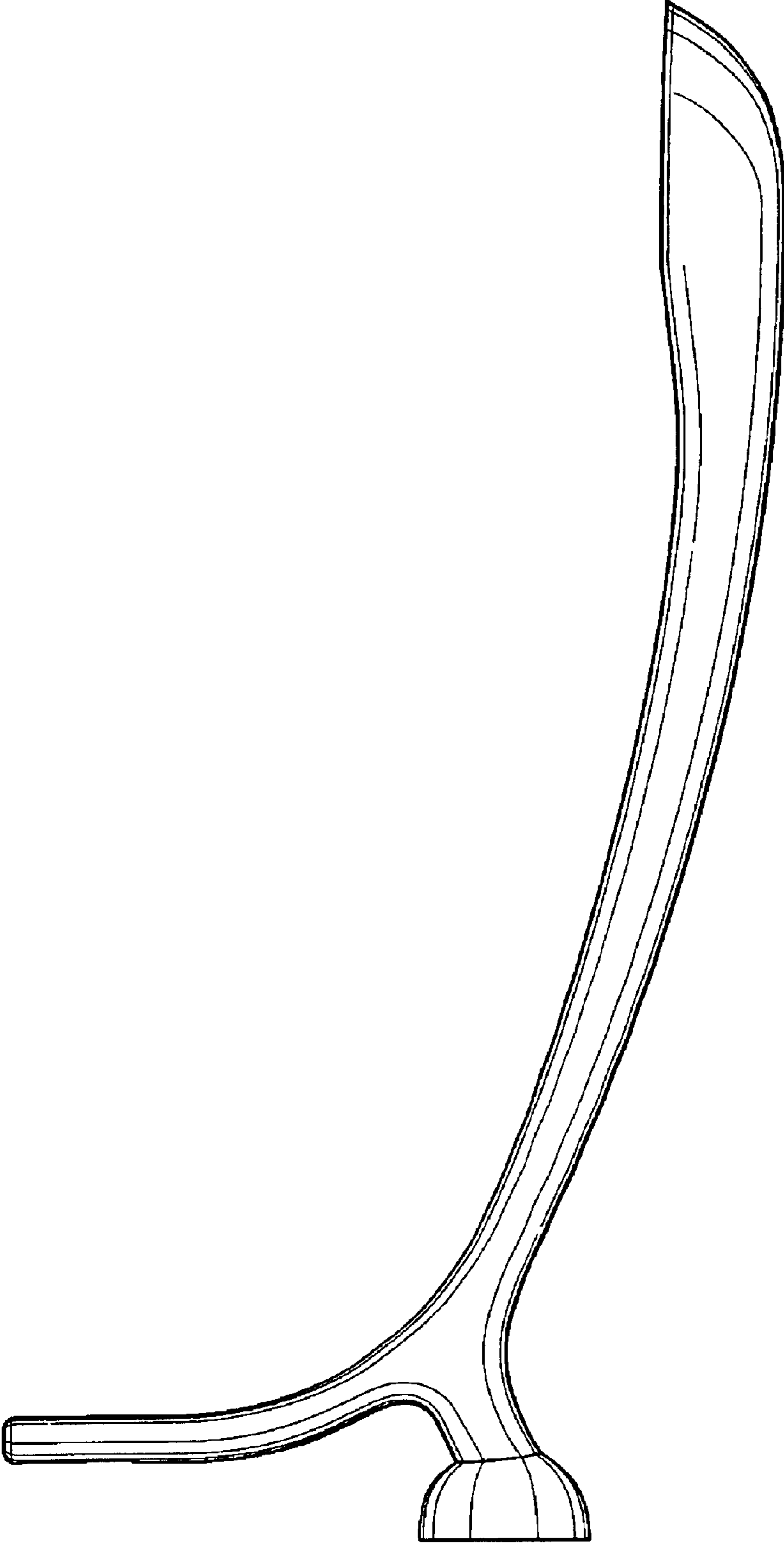


FIG. 2

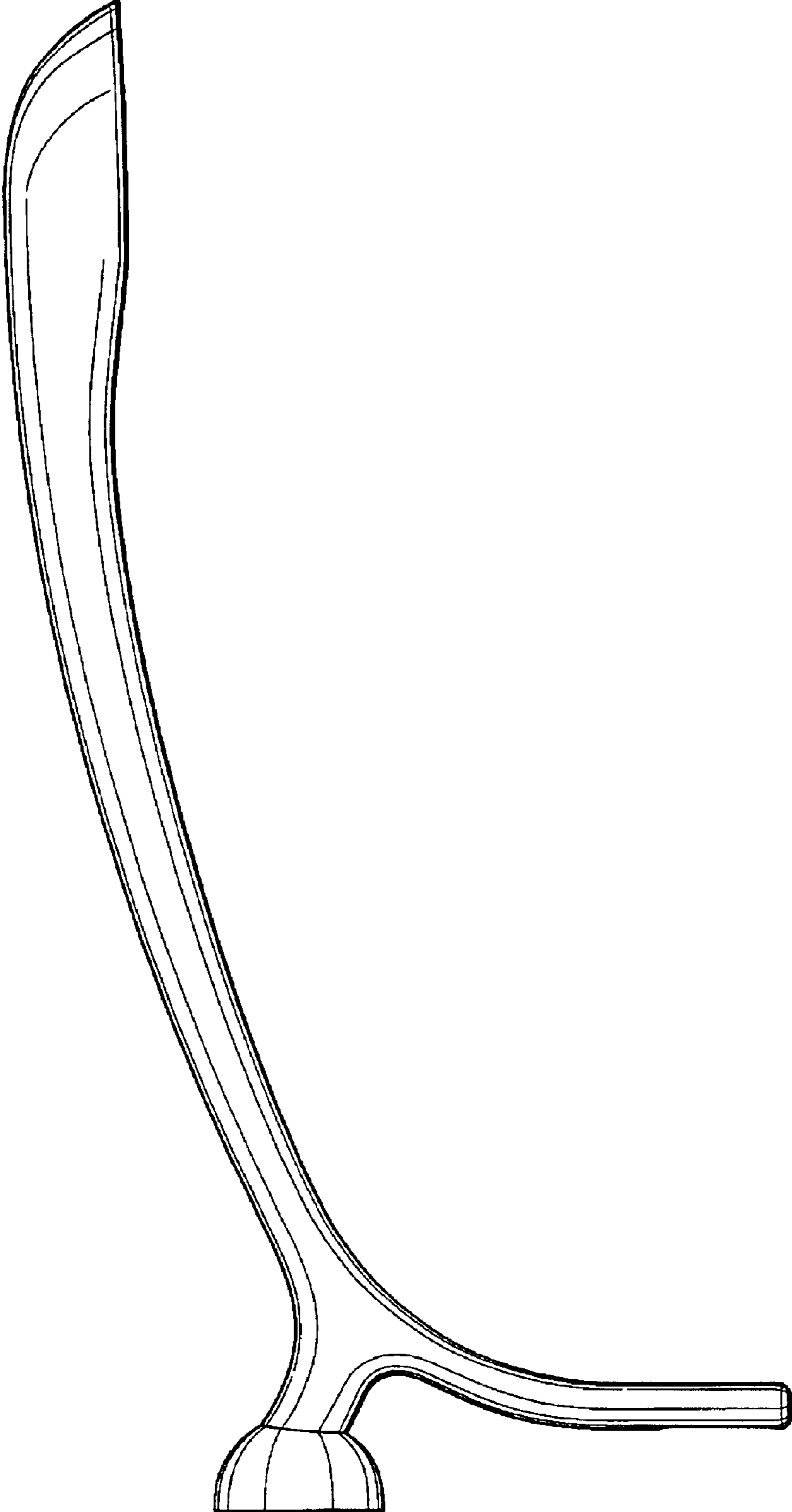


FIG. 3

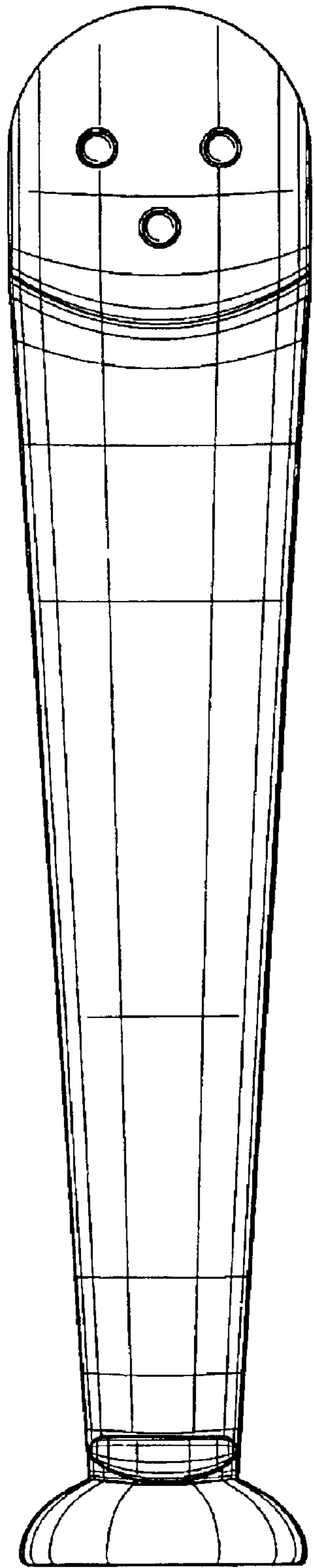


FIG. 4

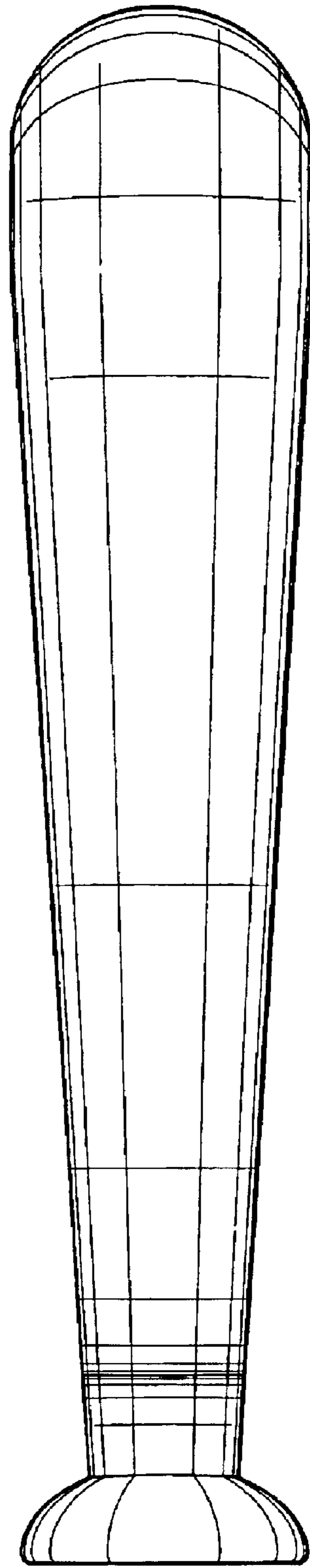


FIG. 5

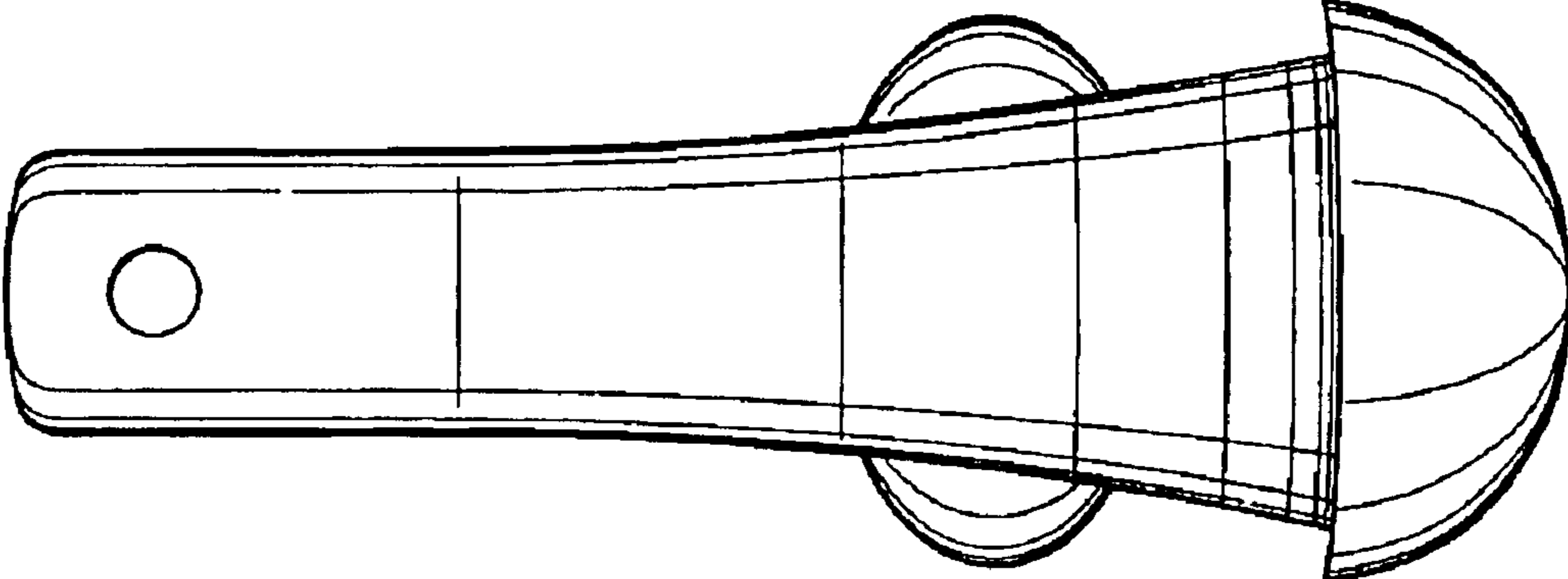


FIG. 6

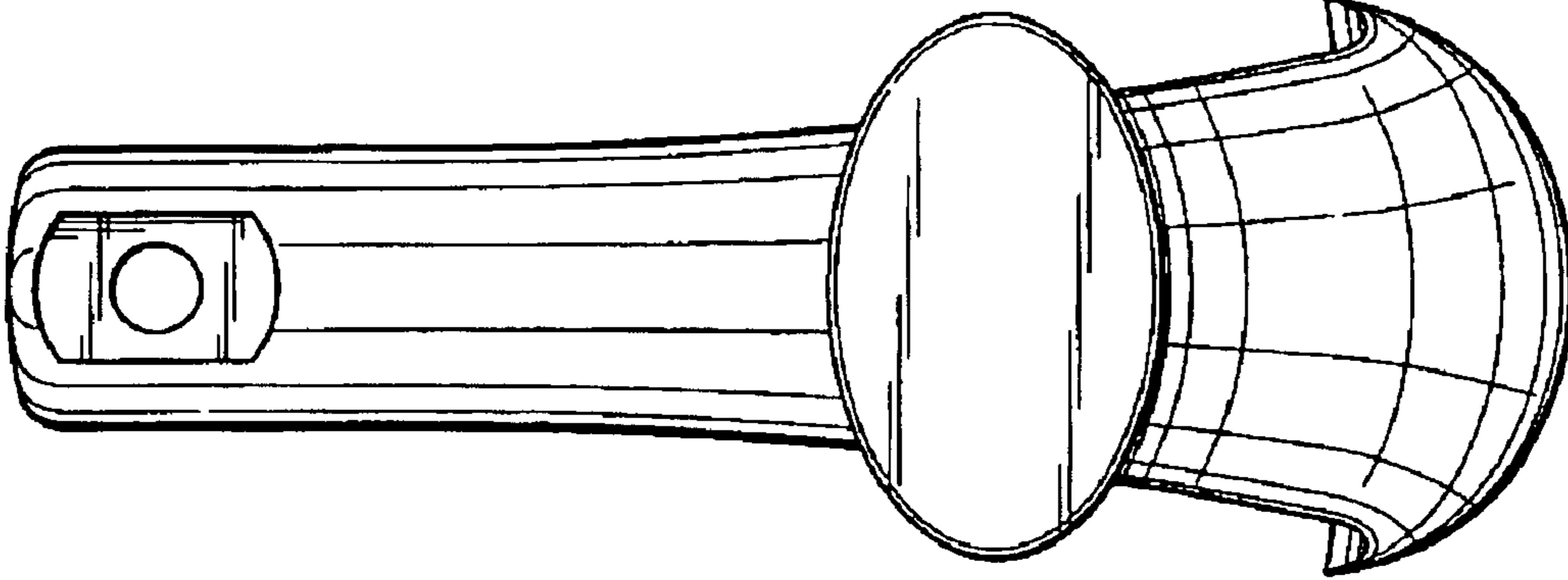


FIG. 7

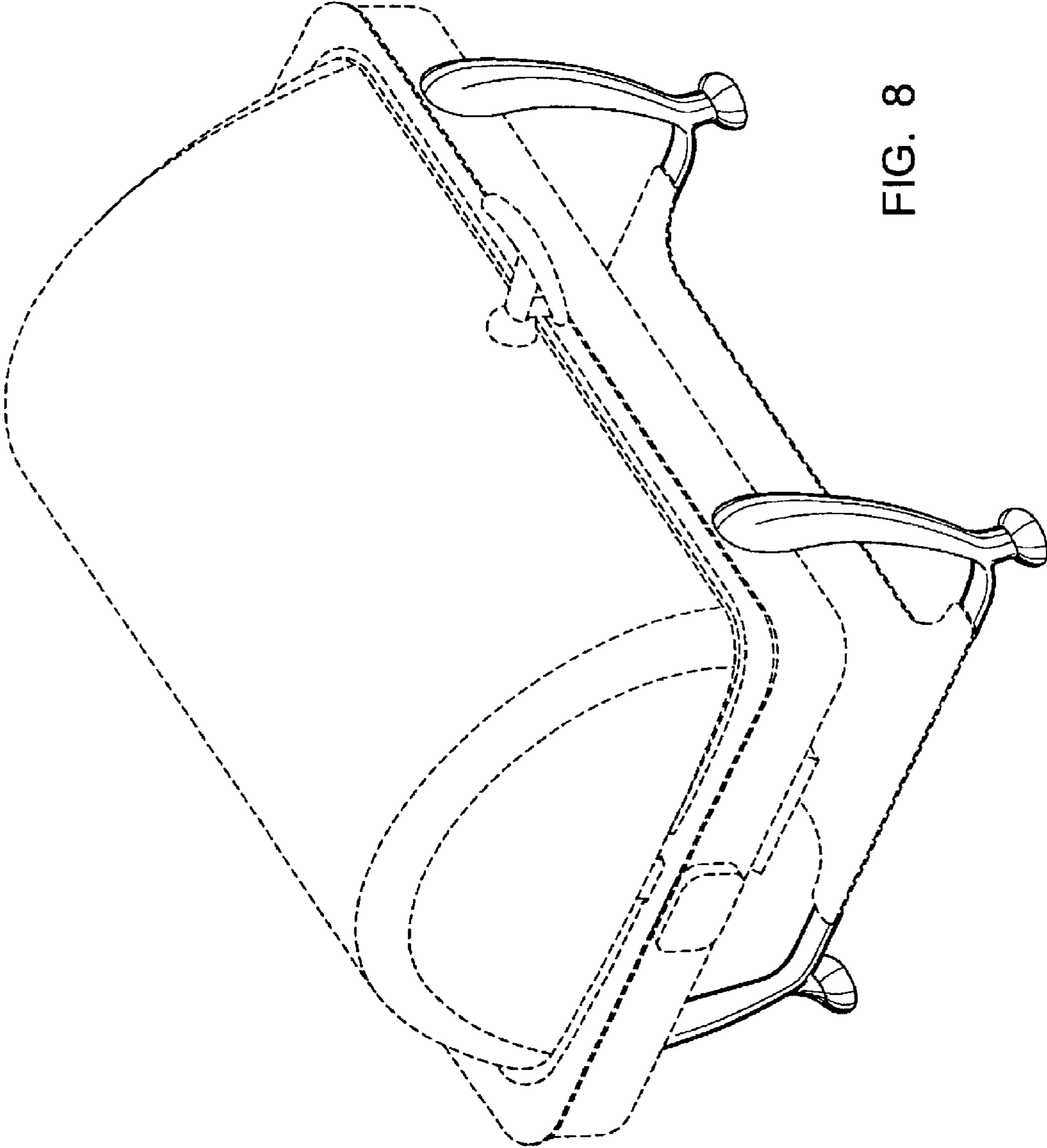


FIG. 8