



US00D495551S1

(12) **United States Design Patent** (10) **Patent No.:** **US D495,551 S**
Goto (45) **Date of Patent:** **** Sep. 7, 2004**

(54) **CASE FOR AN OPTICAL DISK AND MEMORY CARD**

(75) Inventor: **Teiyu Goto**, Tokyo (JP)

(73) Assignee: **Sony Computer Entertainment Inc.**, Tokyo (JP)

(**) Term: **14 Years**

(21) Appl. No.: **29/170,041**

(22) Filed: **Oct. 31, 2002**

Related U.S. Application Data

(62) Division of application No. 29/123,707, filed on May 24, 2000.

(30) **Foreign Application Priority Data**

Dec. 28, 1999	(JP)	D11-37151
Jan. 12, 2000	(JP)	D2000-158
Jan. 12, 2000	(JP)	D2000-159
Jan. 12, 2000	(JP)	D2000-160
Jan. 12, 2000	(JP)	D2000-157

(51) **LOC (7) Cl.** **06-04**

(52) **U.S. Cl.** **D6/631; D6/407**

(58) **Field of Search** D3/201, 218; D6/407, D6/626-635; D19/26, 27, 32; 206/307.1, 308.1, 308.2, 308.3, 309, 311, 312, 387.11, 387.13, 387.15; 369/37, 75.2, 291; 379/355

(56) **References Cited**

U.S. PATENT DOCUMENTS

D226,146	S	1/1973	Price
D245,454	S	8/1977	Feingold et al.
4,518,275	A	5/1985	Rauch, III et al.
D280,951	S	10/1985	Holland
D281,056	S	10/1985	Tour
D288,983	S	3/1987	Juhas et al.
4,718,550	A	1/1988	Johnson
D318,368	S	7/1991	Evans
D324,337	S	3/1992	Brady
D335,215	S	5/1993	Stumpff
D342,379	S	12/1993	Taniyama

5,285,893	A	*	2/1994	Misterka et al.	206/310
D347,320	S		5/1994	Du Corday		
5,344,039	A		9/1994	Taniyama		
D358,961	S		6/1995	Lax		
D363,632	S		10/1995	Ohta		
D366,802	S		2/1996	Roberts et al.		
D375,015	S		10/1996	Kobayashi et al.		
D377,731	S		2/1997	Fernandez		
D378,333	S		3/1997	Anderson		
5,769,217	A		6/1998	Derraugh et al.		
5,788,068	A		8/1998	Fraser et al.		
5,899,327	A	*	5/1999	Sykes	206/307.1
5,944,181	A		8/1999	Lau		
D420,240	S		2/2000	Sorenson et al.		
D433,266	S		11/2000	Peterson et al.		
6,164,446	A		12/2000	Law		
D440,108	S		4/2001	Derman		
6,227,362	B1		5/2001	Cheung		

(List continued on next page.)

FOREIGN PATENT DOCUMENTS

GB	2055033	B1	9/1999
JP	07-934771	B1	9/1995

Primary Examiner—Celia Murphy
(74) *Attorney, Agent, or Firm*—Rader, Fishman & Grauer, PLLC

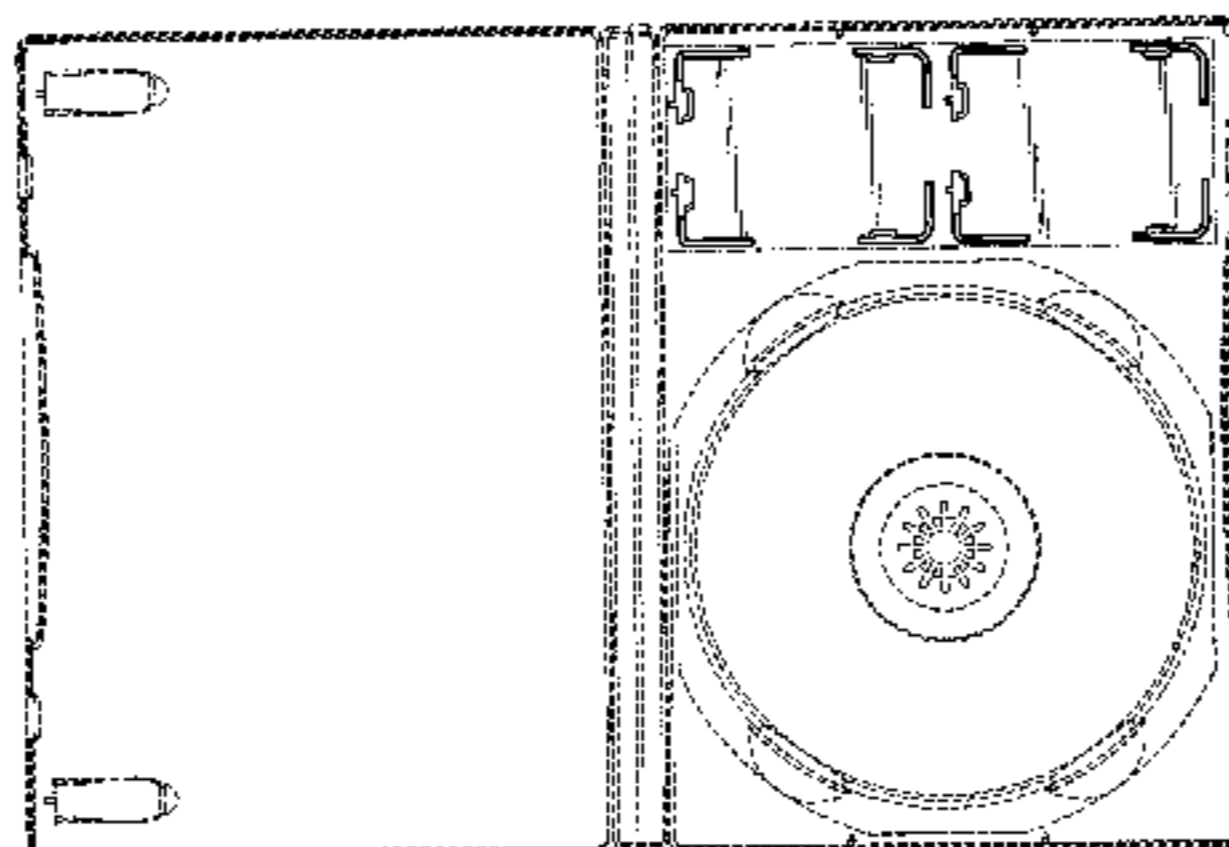
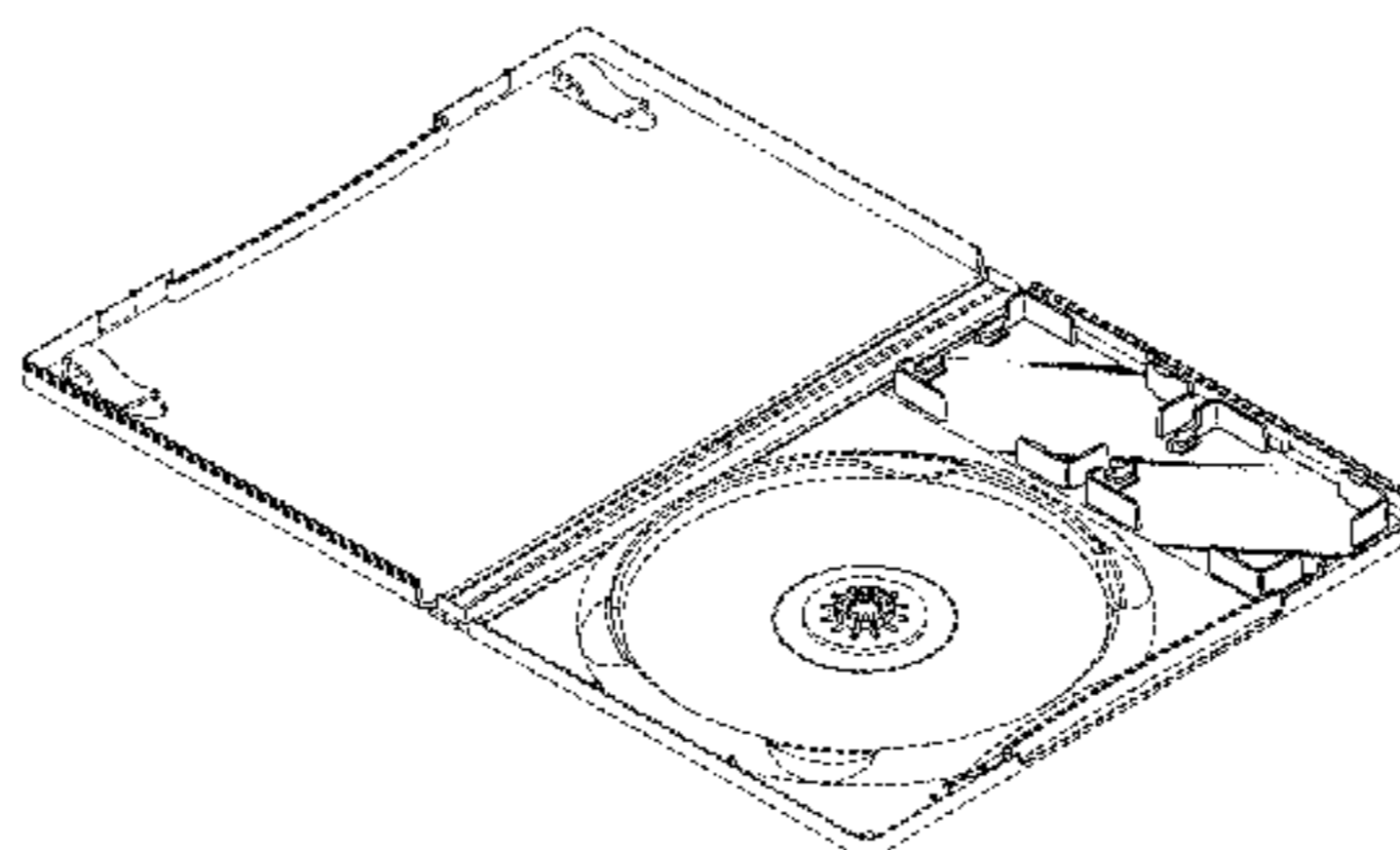
(57) **CLAIM**

The ornamental design for a case for an optical disk and memory card, as shown and described.

DESCRIPTION

FIG. 1 is a perspective view of a case for an optical disk and memory card, particularly a portion where a memory card is to be positioned, showing my design; FIG. 2 is a front elevational view thereof; FIG. 3 is a rear elevational view thereof; and, FIG. 4 is a rear elevational view thereof, wherein the case is in the closed position. Portions in broken lines are for illustrative purposes only and form no part of claimed design.

1 Claim, 4 Drawing Sheets



US D495,551 S

Page 2

U.S. PATENT DOCUMENTS				
		D474,935 S *	5/2003 Goto	D6/631
6,237,763 B1	5/2001 Lau	6,626,289 B2 *	9/2003 Nagata et al.	206/307.1
6,293,396 B1	9/2001 Takahashi et al.	2001/0021167 A1 *	9/2001 Kutaragi et al.	369/291
D455,312 S *	4/2002 Myszka et al.			
D469,295 S *	1/2003 Ten Brink et al.			
				* cited by examiner

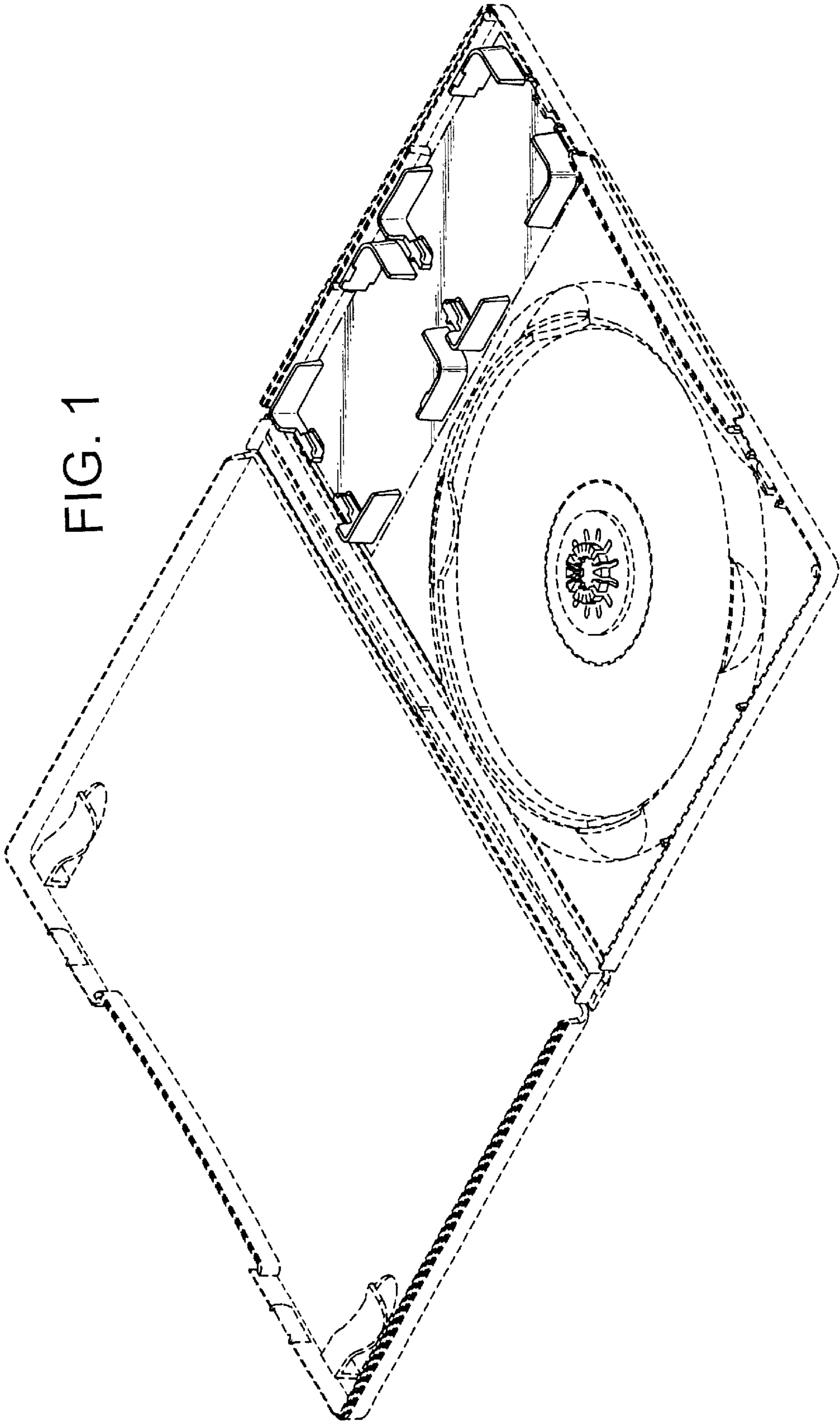


FIG. 1

FIG. 2

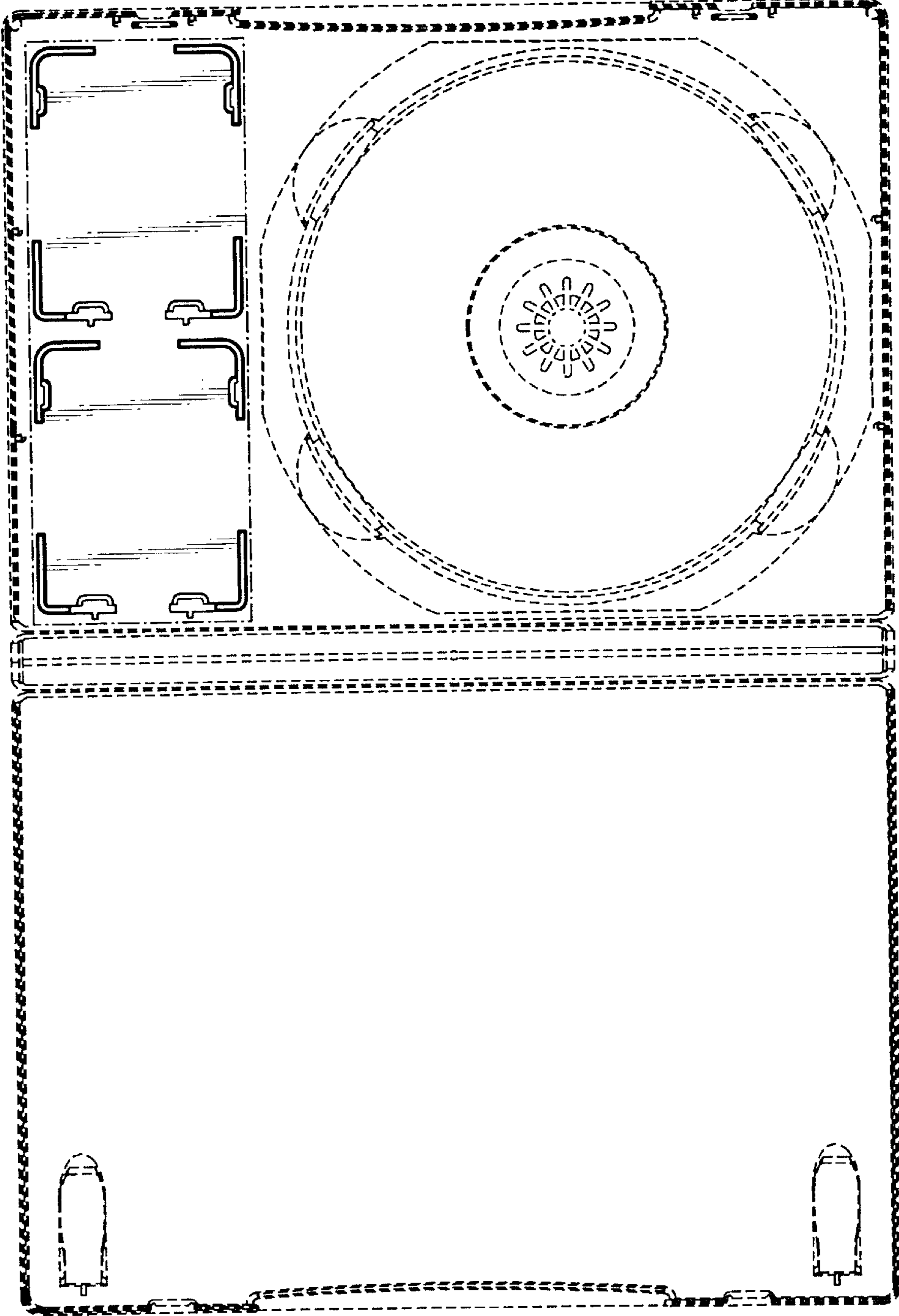


FIG. 3

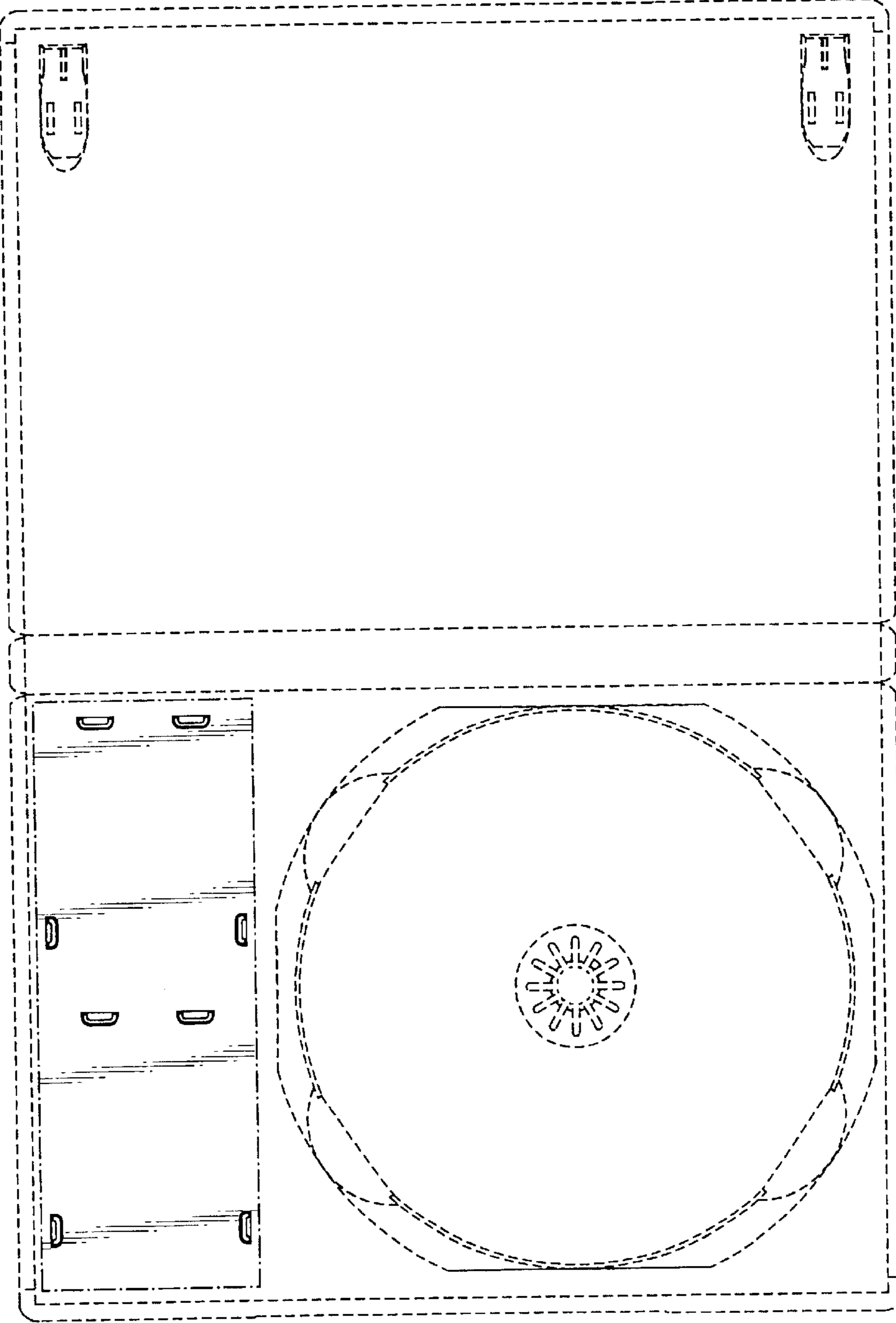


FIG. 4

