

US00D495546S1

(12) **United States Design Patent**
Martin

(10) **Patent No.:** **US D495,546 S**

(45) **Date of Patent:** **** Sep. 7, 2004**

(54) **SHOWER ORGANIZER WITH CENTER CAVITY AREA AND LIQUID DISPENSER**

D415,916 S * 11/1999 Hofman et al. D6/525
D461,668 S * 8/2002 Zadro D6/525
D465,367 S * 11/2002 Pruijssers D6/545

(76) **Inventor:** **Kevin D. Martin**, 2903 Hanna La.,
Bentonville, AR (US) 72712

* cited by examiner

(**) **Term:** **14 Years**

Primary Examiner—Brian N Vinson
(74) *Attorney, Agent, or Firm*—Keisling Pieper & Scott
PLC; Trent C. Keisling; David B. Pieper

(21) **Appl. No.:** **29/194,269**

(57) **CLAIM**

(22) **Filed:** **Nov. 19, 2003**

The ornamental design for a shower organizer with center cavity area and liquid dispenser, as shown and described.

(51) **LOC (7) Cl.** **06-04**

(52) **U.S. Cl.** **D6/525**

(58) **Field of Search** D6/524–525, 542–544;
108/14; 211/13.1, 71.01, 74, 75, 86.01,
87.01, 88.01, 90.01; 222/92, 105, 173,
180, 181.1; 206/77.1

DESCRIPTION

(56) **References Cited**

U.S. PATENT DOCUMENTS

4,039,104 A * 8/1977 Mijares et al. D6/544
D368,128 S * 3/1996 McCarthy D6/525
D372,613 S * 8/1996 Nixon, II D6/544
D377,286 S * 1/1997 Munoz D6/525

FIG. 1 is a front view of a shower organizer with center cavity area and liquid dispenser;
FIG. 2 is a back view thereof;
FIG. 3 is a front elevational view thereof;
FIG. 4 is a back elevational view thereof;
FIG. 5 is a top side view thereof;
FIG. 6 is a bottom side view thereof;
FIG. 7 is a left side view thereof; and,
FIG. 8 is a right side view thereof.

1 Claim, 3 Drawing Sheets

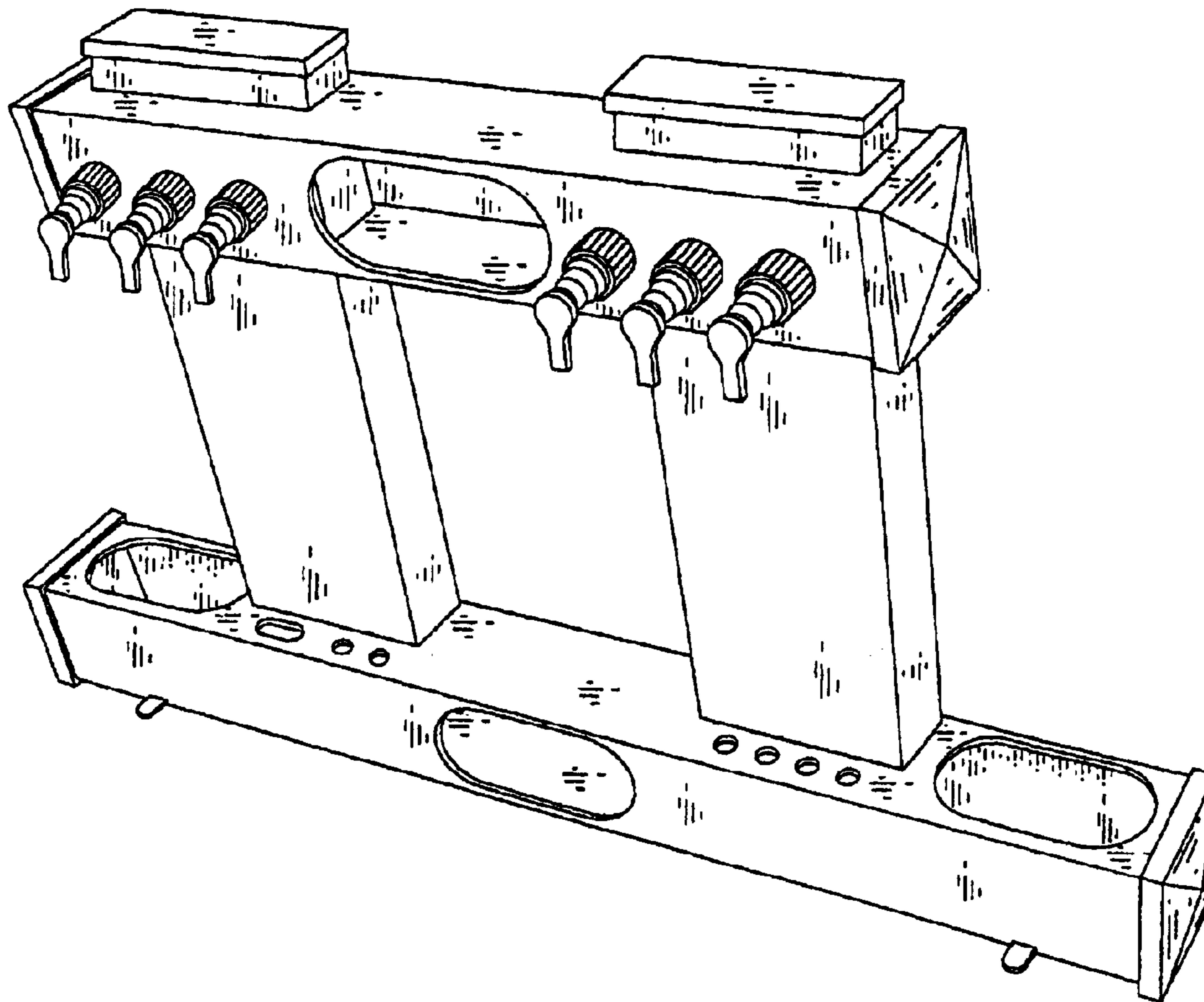


FIG. 1

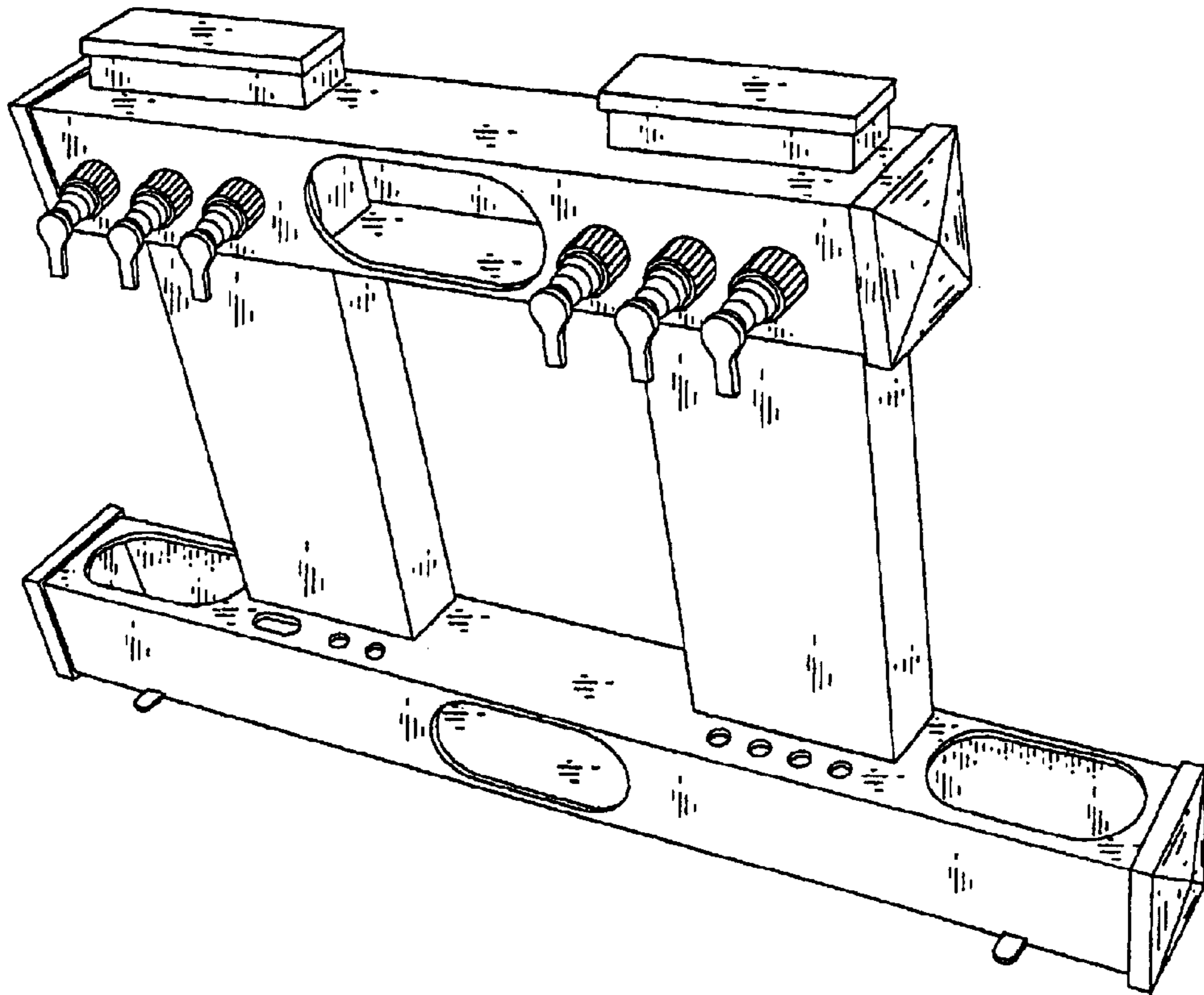


FIG. 2

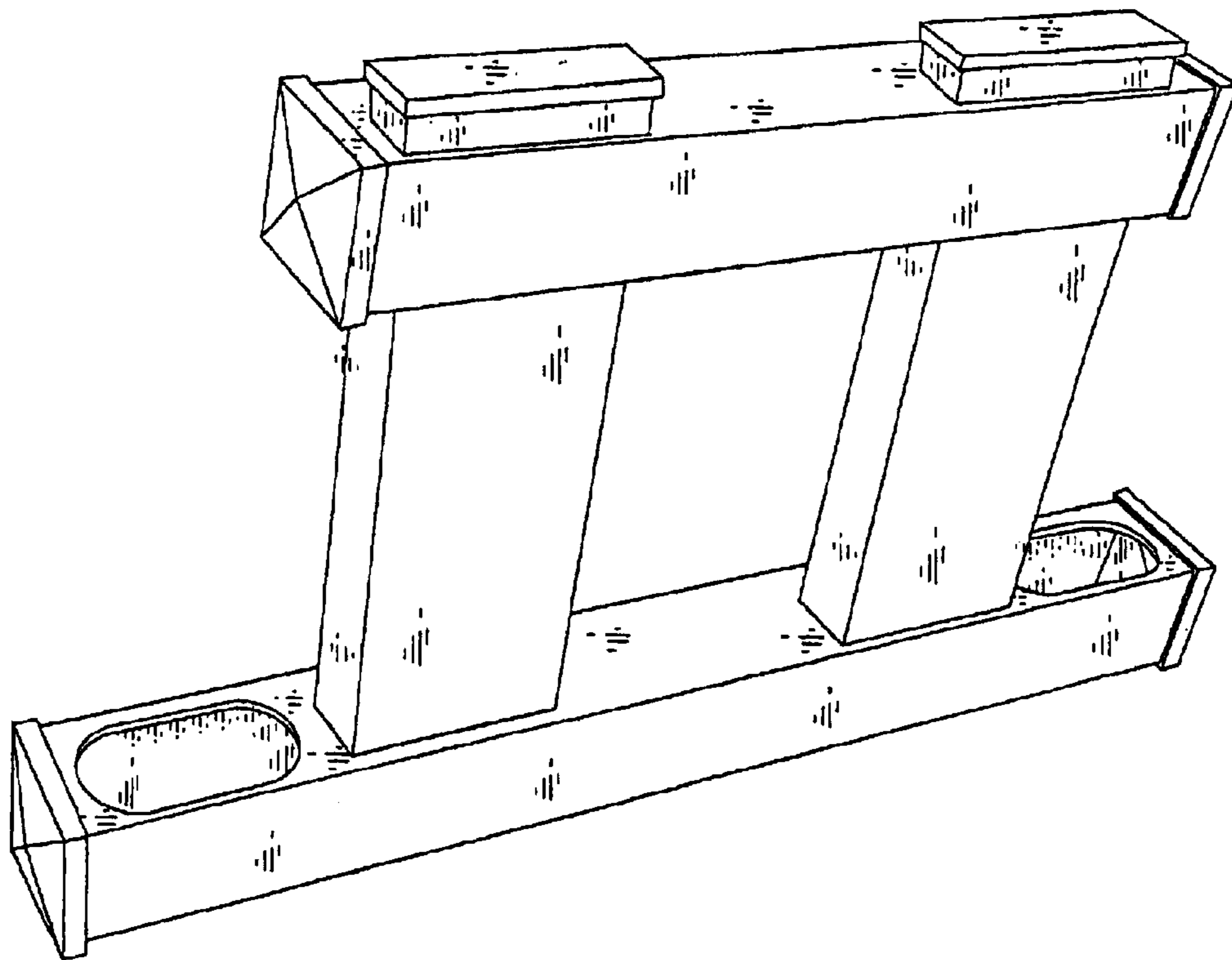


FIG. 3

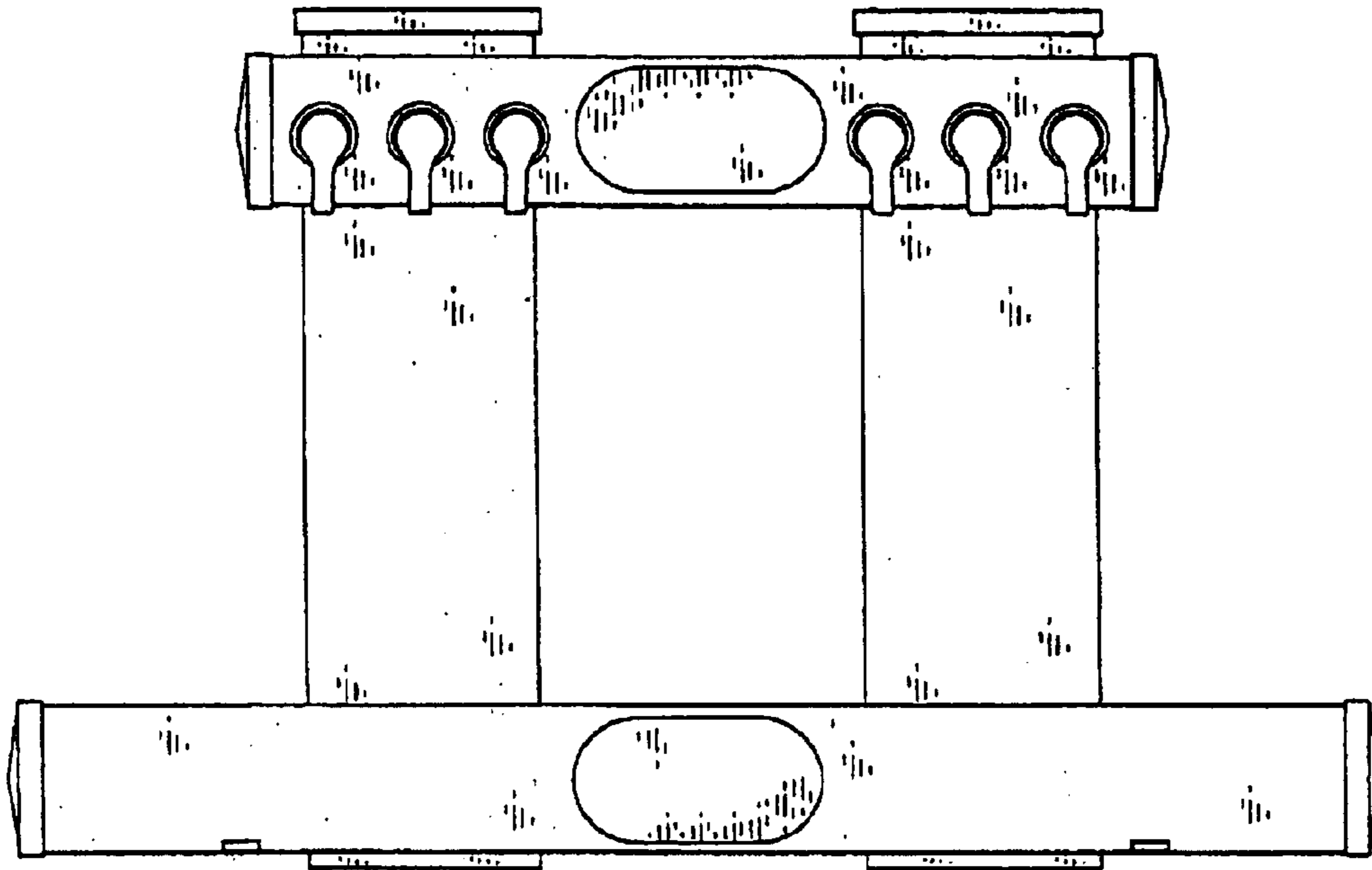


FIG. 4

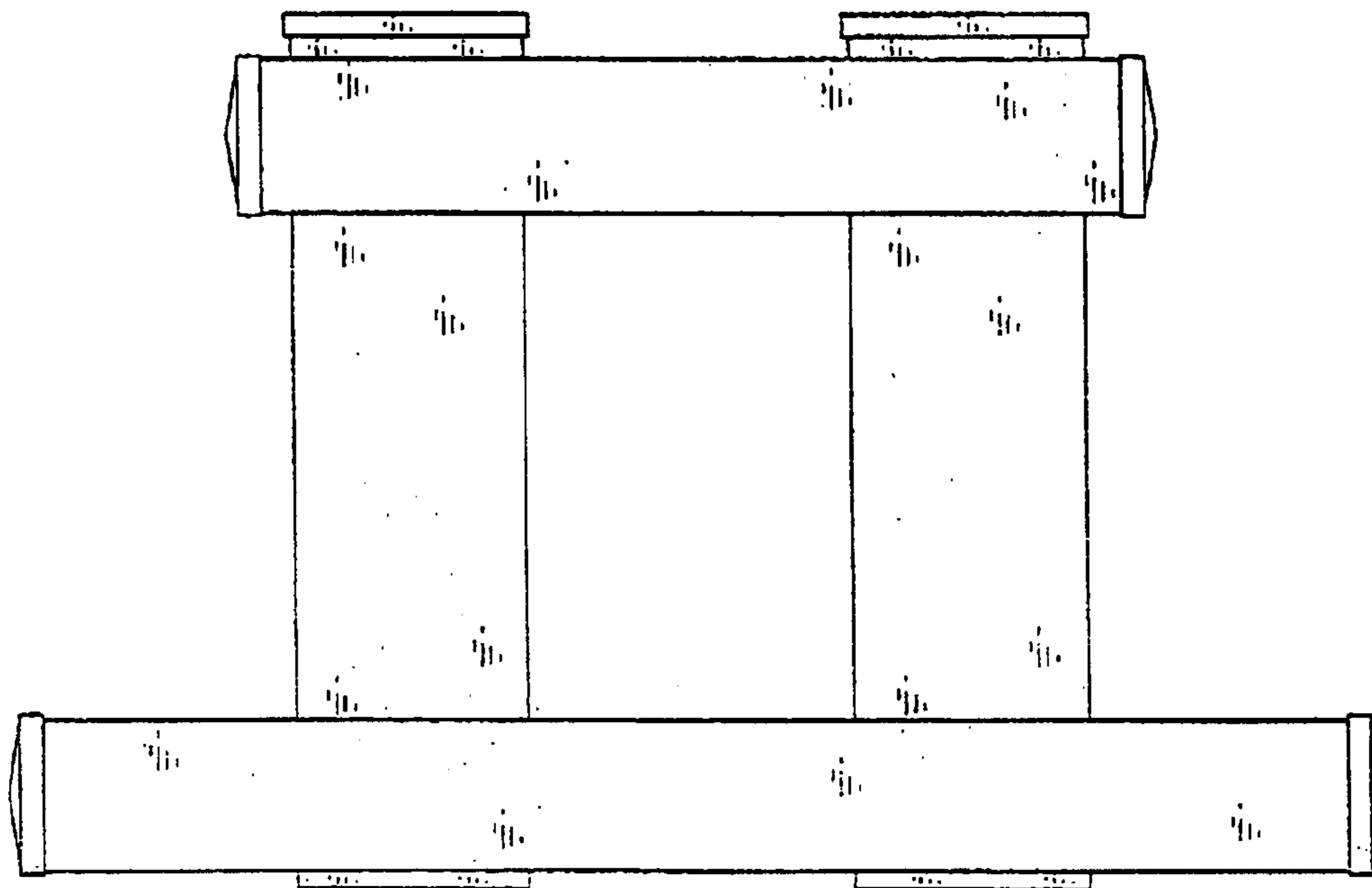


FIG. 5

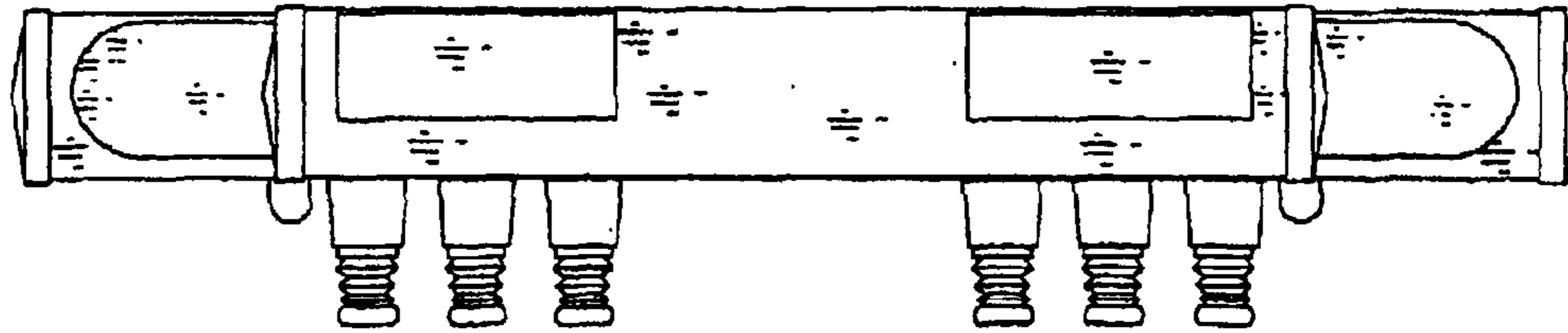


FIG. 6

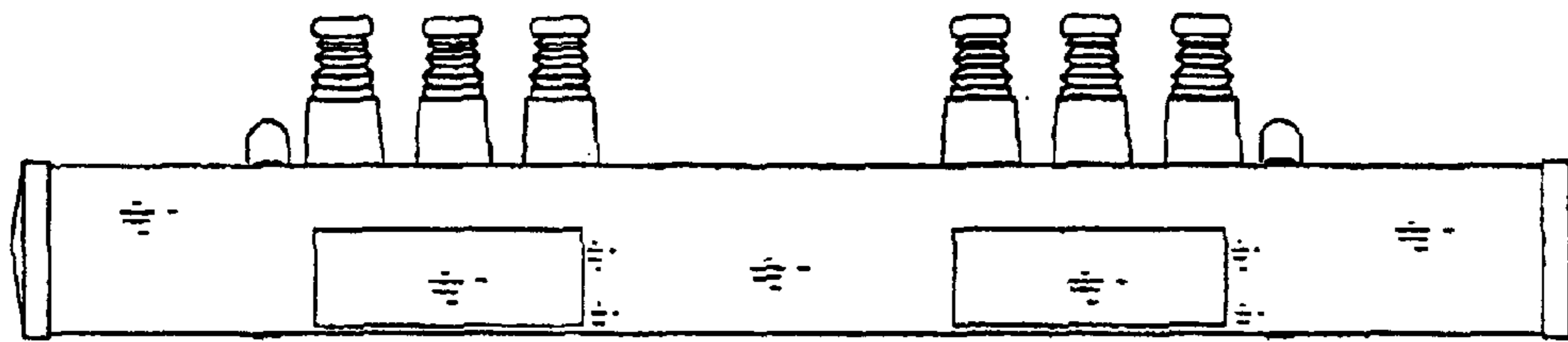


FIG. 7

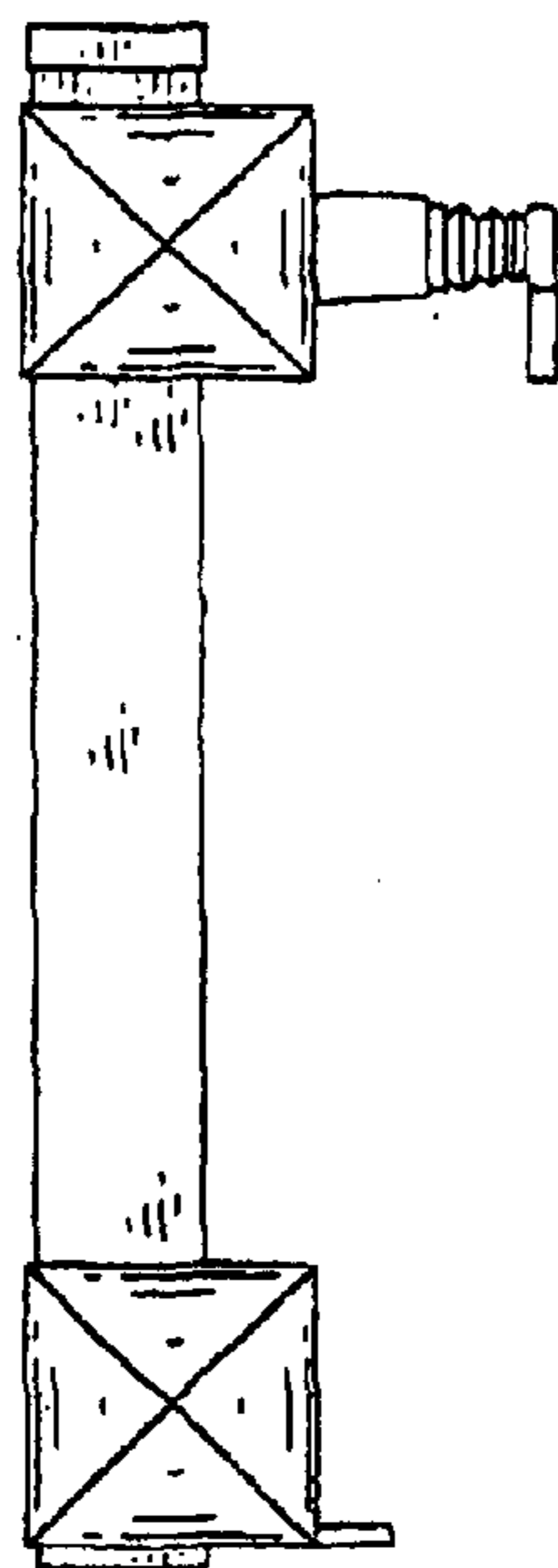


FIG. 8

