



US00D495545S1

(12) **United States Design Patent**  
**Niehues**

(10) **Patent No.:** **US D495,545 S**

(45) **Date of Patent:** **\*\* Sep. 7, 2004**

(54) **TISSUE CONTAINER**

(75) **Inventor:** **Dieter Niehues, Wettringen (DE)**

(73) **Assignee:** **Albaad Massuot Yitzhak Ltd.,  
Massuot Yitzhak (IL)**

(\*\*) **Term:** **14 Years**

(21) **Appl. No.:** **29/193,621**

(22) **Filed:** **Nov. 13, 2003**

(51) **LOC (7) Cl.** ..... **20-02**

(52) **U.S. Cl.** ..... **D6/518**

(58) **Field of Search** ..... D6/515, 518; D9/516,  
D9/549, 423; D3/273, 294, 318; 206/389,  
494; 221/33, 45, 63, 282, 284

(56) **References Cited**

**U.S. PATENT DOCUMENTS**

|           |   |   |         |                  |       |         |
|-----------|---|---|---------|------------------|-------|---------|
| 4,513,877 | A | * | 4/1985  | Taguchi et al.   | ..... | 221/63  |
| 4,768,679 | A | * | 9/1988  | Matsui           | ..... | 221/45  |
| D367,609  | S | * | 3/1996  | Frank et al.     | ..... | D9/425  |
| 5,699,912 | A | * | 12/1997 | Ishikawa et al.  | ..... | 206/494 |
| 5,785,179 | A | * | 7/1998  | Buczynski et al. | ..... | 206/494 |
| D414,637  | S | * | 10/1999 | Amundson et al.  | ..... | D6/518  |
| D443,451  | S | * | 6/2001  | Buck et al.      | ..... | D6/518  |

|          |   |   |         |              |       |        |
|----------|---|---|---------|--------------|-------|--------|
| D450,960 | S | * | 11/2001 | Boyea et al. | ..... | D6/515 |
| D454,015 | S | * | 3/2002  | Okin et al.  | ..... | D6/518 |
| D459,124 | S | * | 6/2002  | Le et al.    | ..... | D6/518 |

\* cited by examiner

*Primary Examiner*—Brian N Vinson

(74) *Attorney, Agent, or Firm*—Nath & Associates PLLC;  
Gary M. Nath

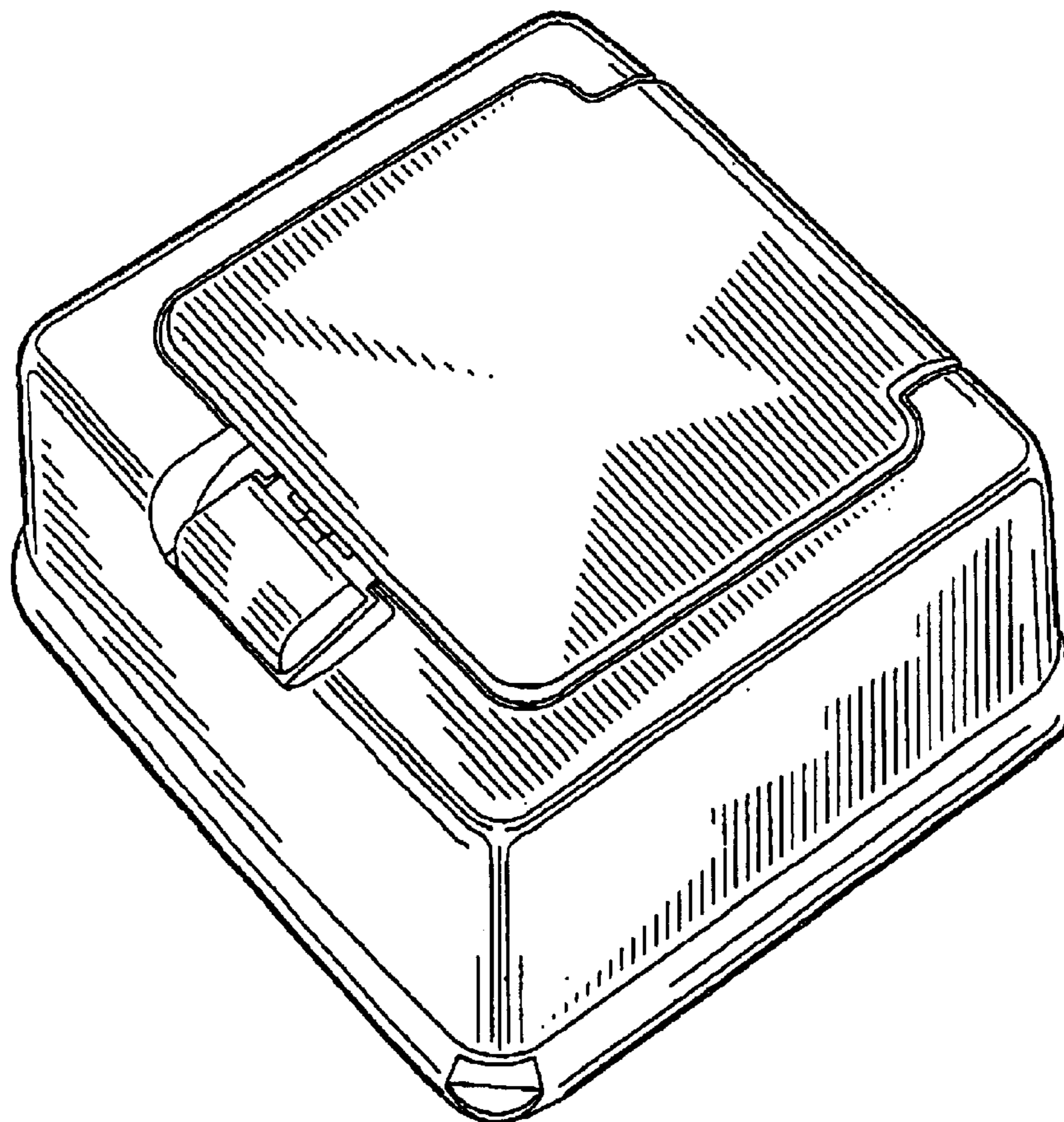
(57) **CLAIM**

The ornamental design for a tissue container, as shown and described.

**DESCRIPTION**

FIG. 1 a top perspective view of the tissue container showing my new design with the lid in its closed position; FIG. 2 is a top plan view thereof; FIG. 3 is a bottom plan view thereof; FIG. 4 is a left side elevational view thereof; FIG. 5 is a right side elevational view thereof; FIG. 6 is a front elevational view thereof; FIG. 7 is a rear elevational view thereof; and, FIG. 8 is a top perspective view of thereof, with the lid in its opened position.

**1 Claim, 5 Drawing Sheets**



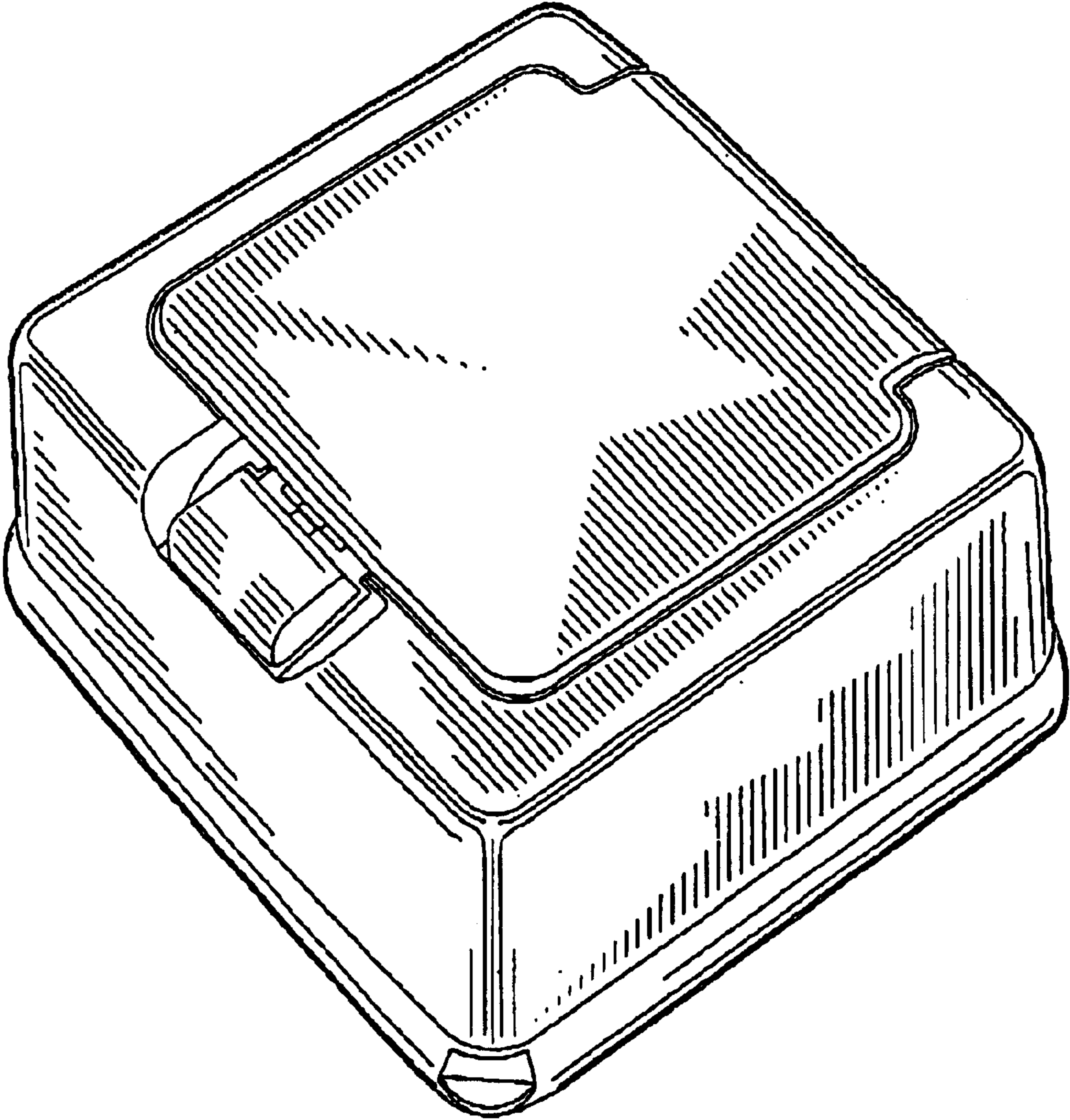


FIG.1

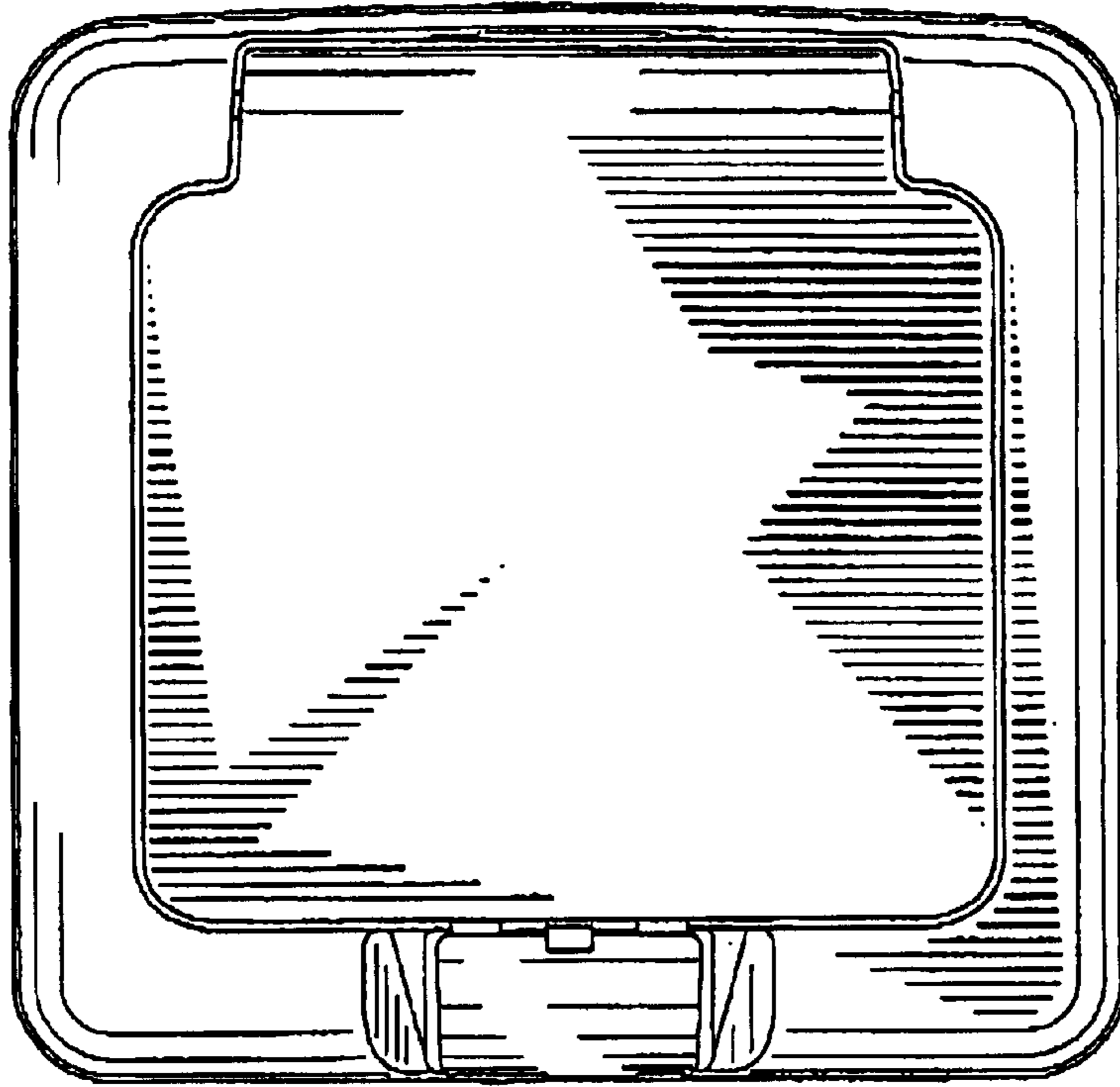


FIG. 2

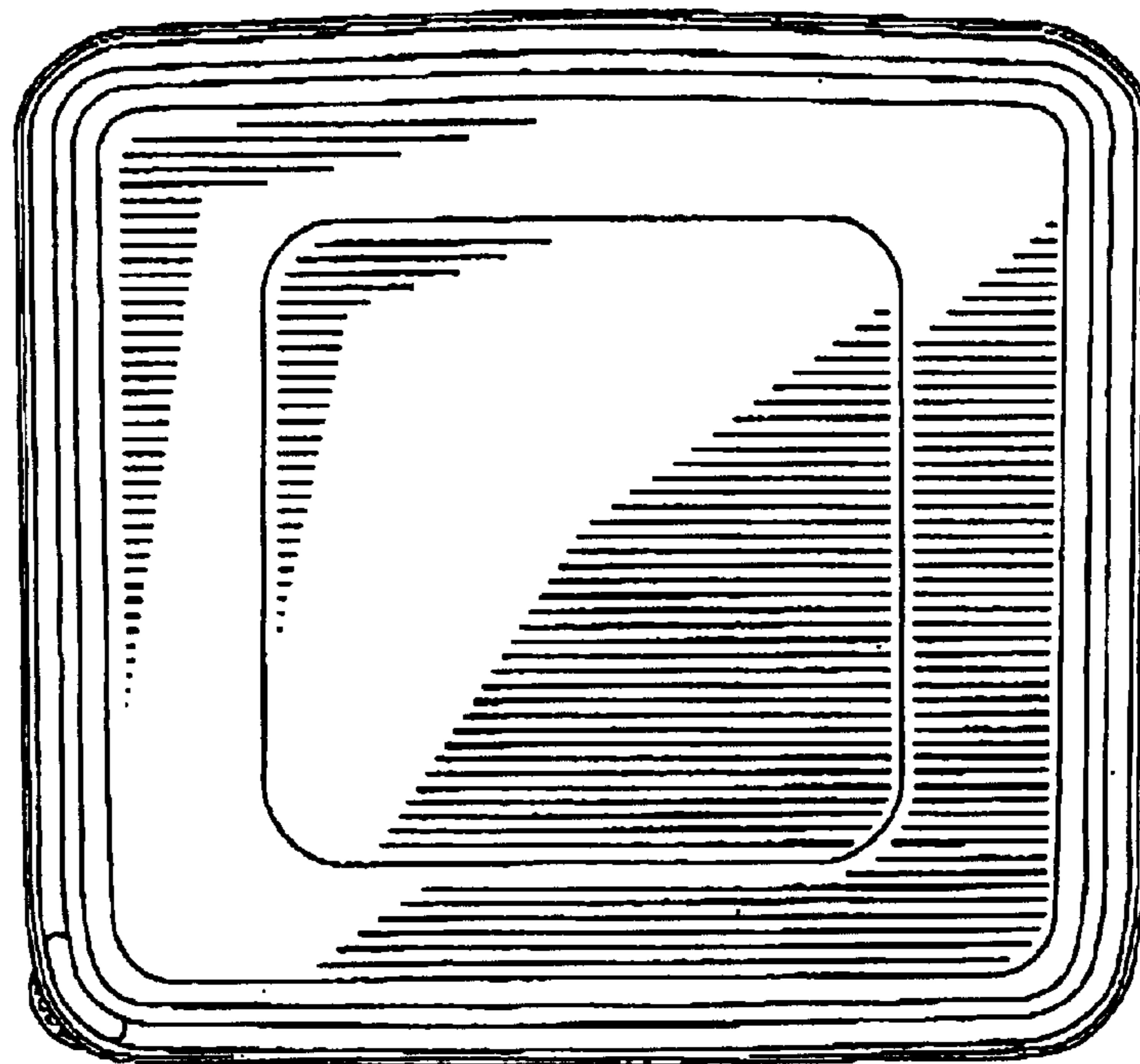


FIG. 3

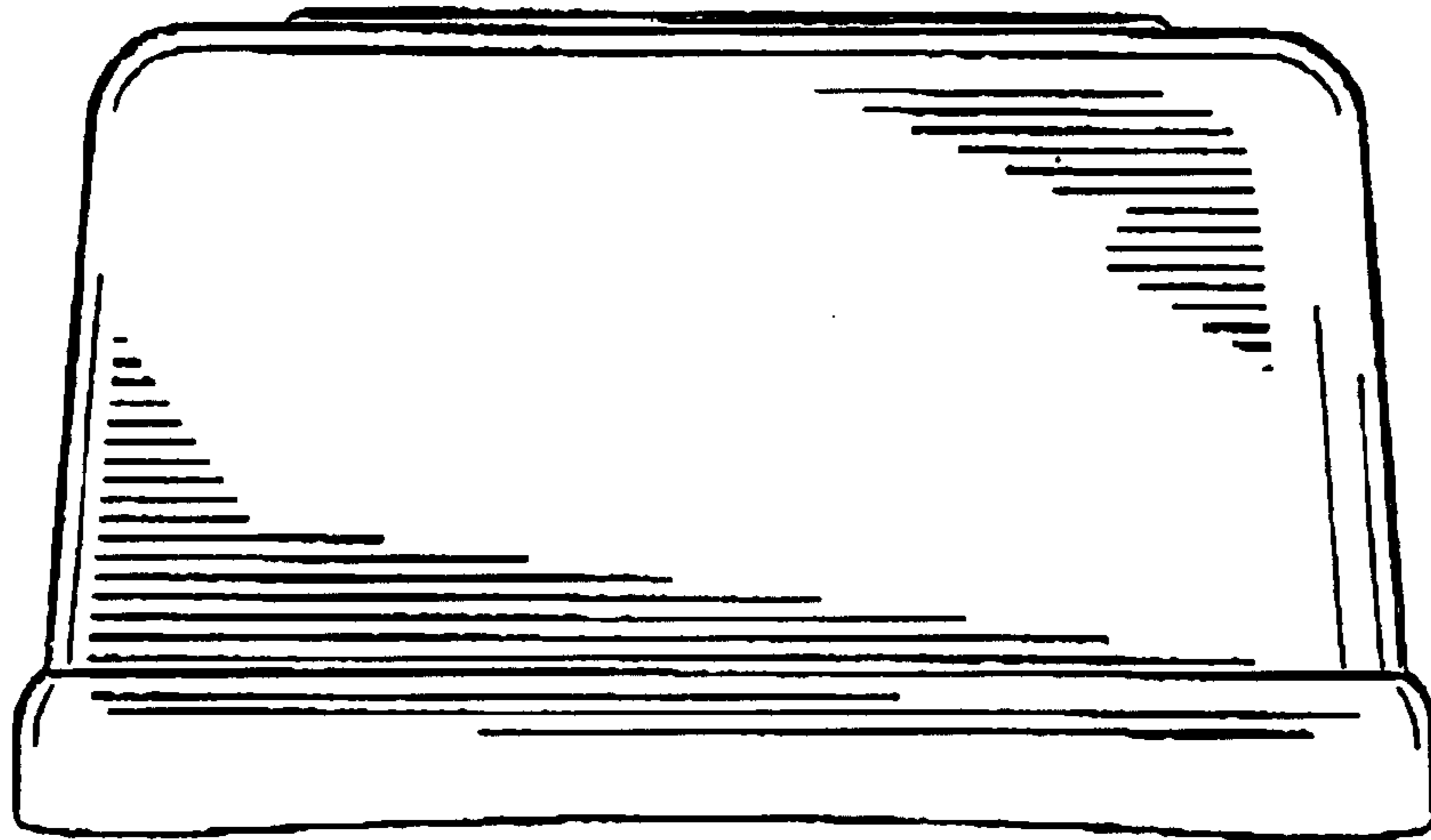


FIG. 4

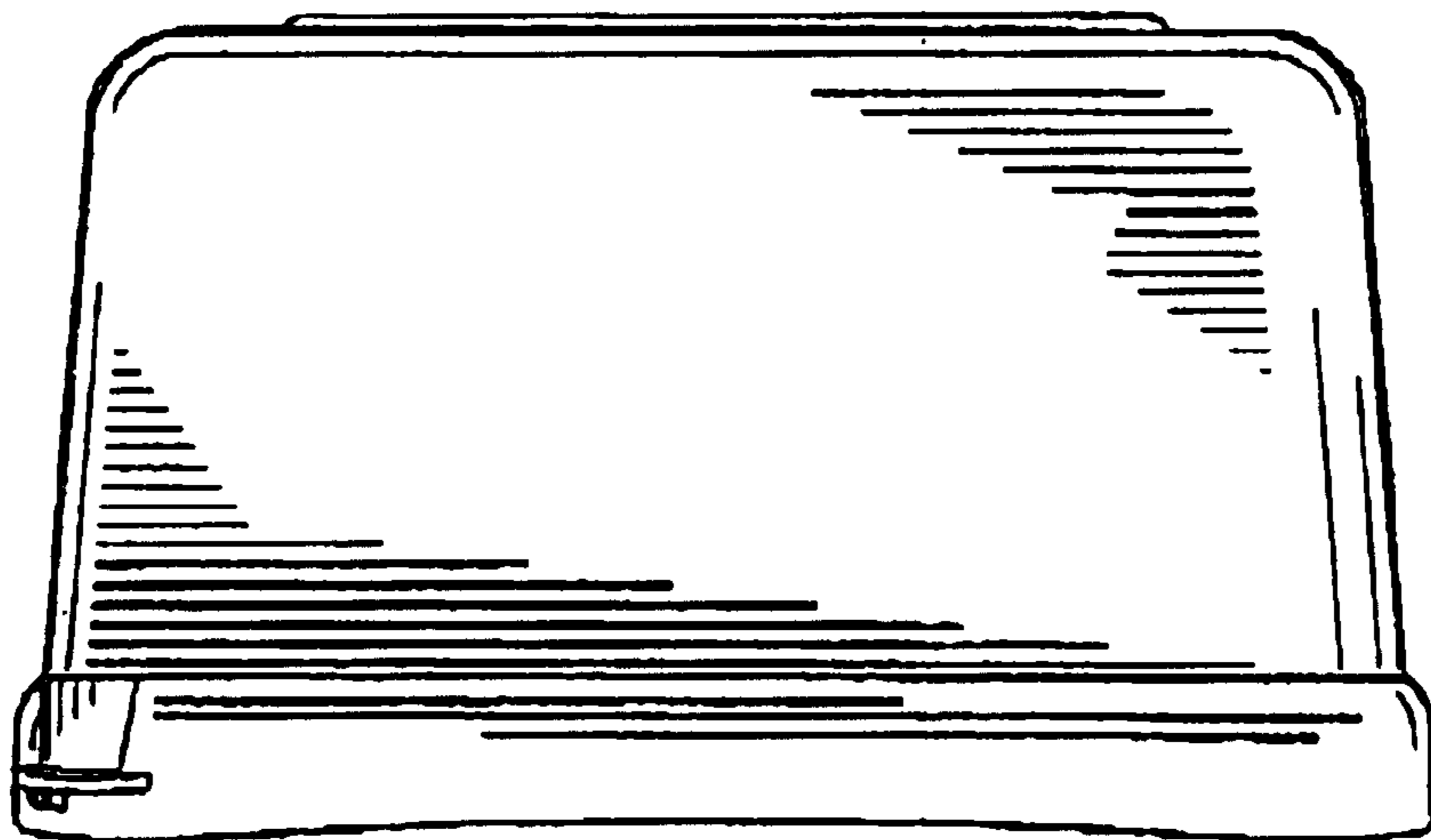


FIG. 5



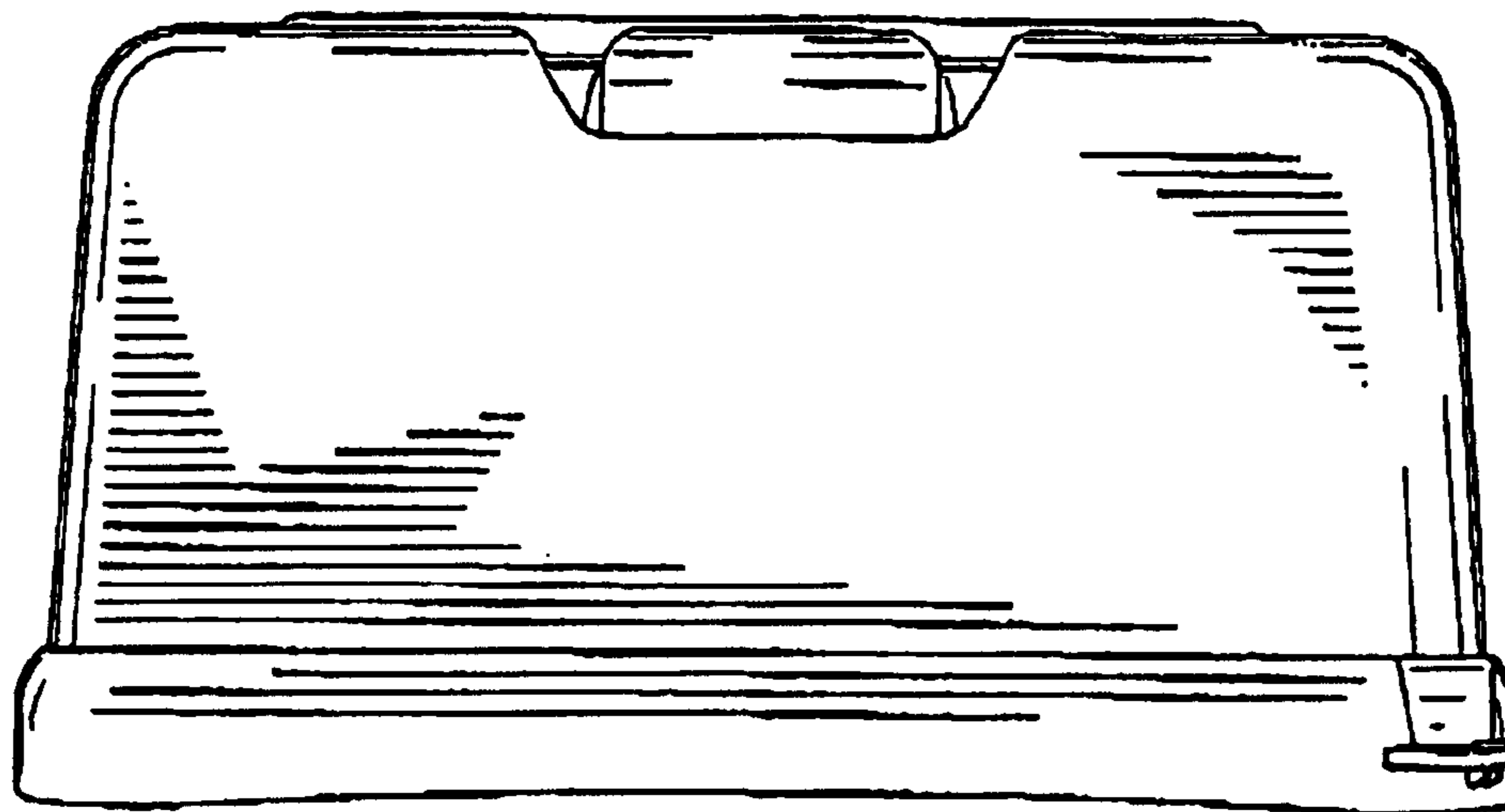


FIG. 6

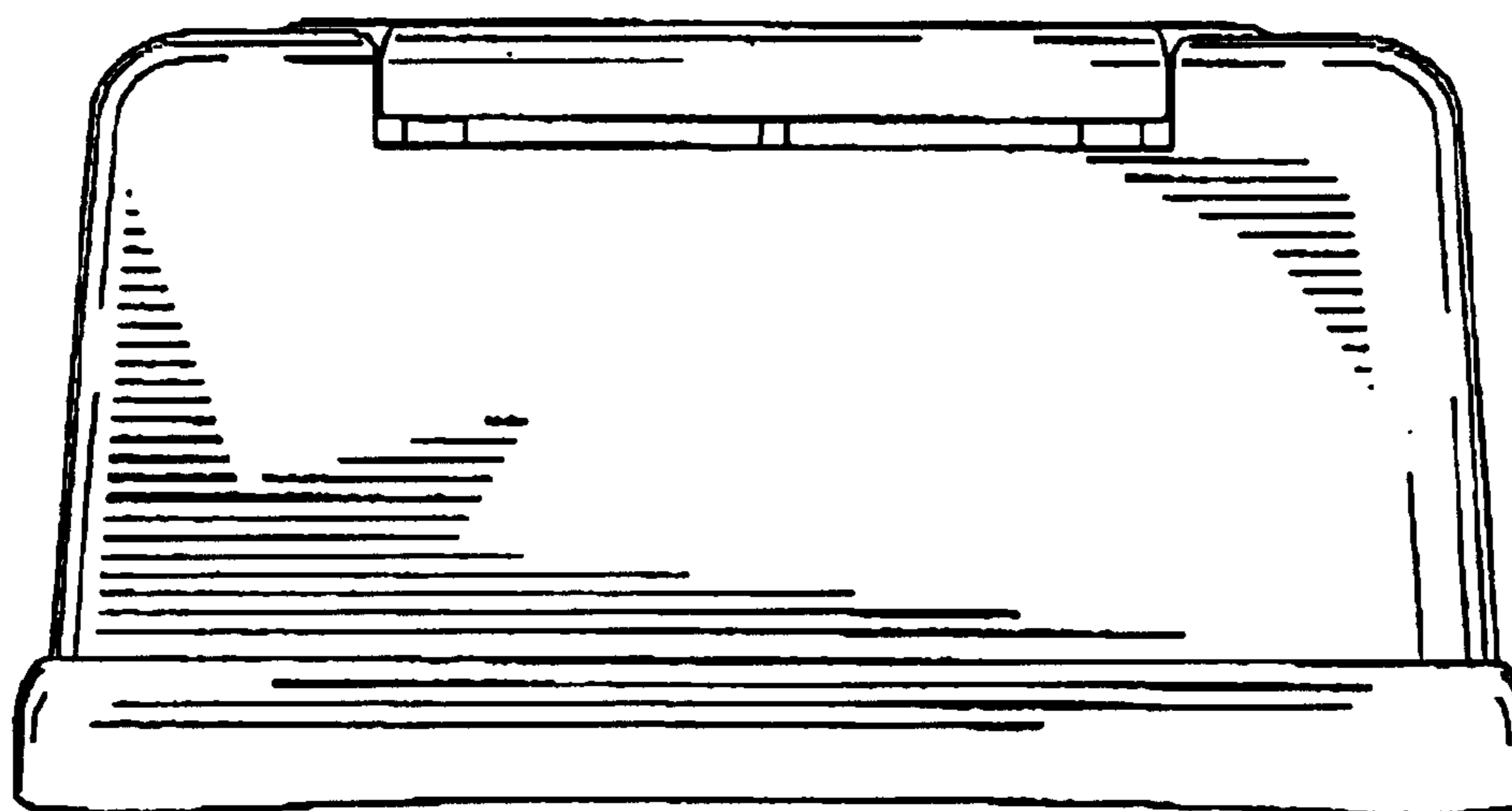


FIG. 7

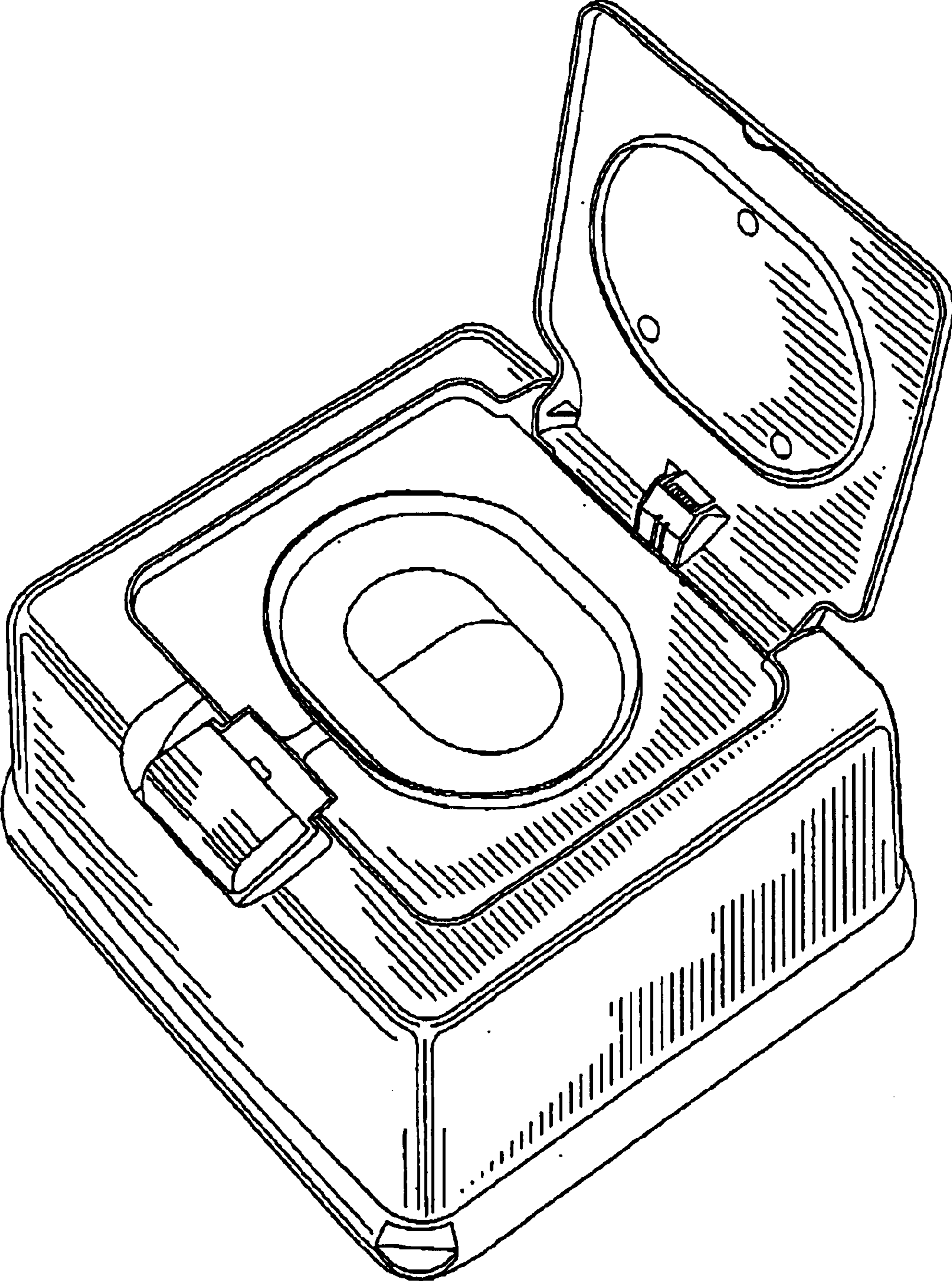


FIG. 8